

US00D978646S

(12) **United States Design Patent** (10) **Patent No.:** **US D978,646 S**
Higgins (45) **Date of Patent:** **** Feb. 21, 2023**

(54) **TENSION DEVICE**
(71) Applicant: **Cinchy, Inc.**, Rockport, MA (US)
(72) Inventor: **Timothy J. Higgins**, Rockport, MA (US)
(73) Assignee: **Timothy J. Higgins**, Rockport, MA (US)

8,141,212 B2 3/2012 Fontaine et al.
D697,676 S * 1/2014 Hansen D30/121
8,651,509 B1 2/2014 Huang
8,684,390 B1 4/2014 Barrette
8,794,378 B2 8/2014 Wolner
8,905,379 B2 12/2014 Huang
8,973,222 B2 3/2015 Breeden et al.
(Continued)

(**) Term: **15 Years**
(21) Appl. No.: **29/849,298**
(22) Filed: **Aug. 10, 2022**

Related U.S. Application Data

(63) Continuation of application No. 29/765,484, filed on Jan. 8, 2021, now Pat. No. Des. 963,448.
(51) **LOC (14) Cl.** **08-05**
(52) **U.S. Cl.**
USPC **D8/44**
(58) **Field of Classification Search**
USPC D8/14, 44, 51, 305, 312
CPC B25B 25/00; B21F 9/00; B60P 7/0823;
B60P 7/083; B60P 7/0846; Y10T 24/21;
Y10T 24/2117
See application file for complete search history.

(56) **References Cited**

U.S. PATENT DOCUMENTS

D192,951 S * 5/1962 Jeffrey D23/250
3,377,044 A 4/1968 Jackson et al.
6,513,200 B2 * 2/2003 Yang G05G 1/10
16/422
D570,658 S 6/2008 Degen
D572,998 S * 7/2008 Crain D8/305
D593,385 S 6/2009 Wang
7,789,603 B2 9/2010 Huck
7,832,710 B2 11/2010 Pelliccioni
8,091,182 B2 1/2012 Hammerslag et al.

OTHER PUBLICATIONS

International Search Report and Written Opinion dated Oct. 26, 2021 for Application No. PCT/US21/41782, 12 pages.

Primary Examiner — Philip S Hyder
(74) *Attorney, Agent, or Firm* — Frost Brown Todd LLP

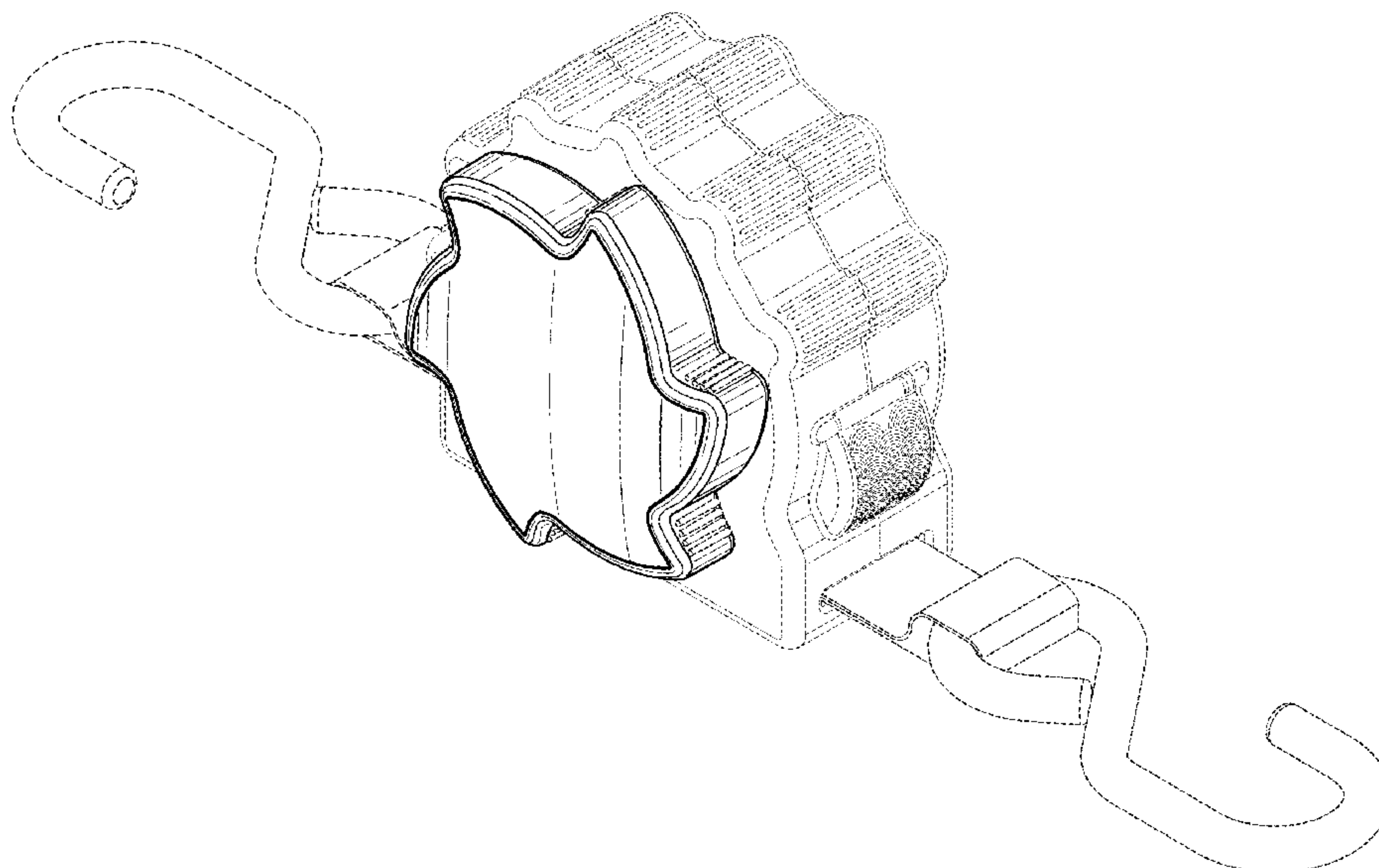
(57) **CLAIM**

The ornamental design for a tension device, as shown and described.

DESCRIPTION

FIG. 1 is a front perspective view of a tension device, showing my new design;
FIG. 2 is a rear perspective view of the tension device of FIG. 1;
FIG. 3 is a front elevational view of the tension device of FIG. 1;
FIG. 4 is a rear elevational view of the tension device of FIG. 1;
FIG. 5 is a right elevational view of the tension device of FIG. 1;
FIG. 6 is a left elevational view of the tension device of FIG. 1;
FIG. 7 is a top plan view of the tension device of FIG. 1; and, FIG. 8 is a bottom plan view of the tension device of FIG. 1.
The broken lines shown in the drawings represent features of the tension device that form no part of the claimed design.

1 Claim, 5 Drawing Sheets



(56)

References Cited

U.S. PATENT DOCUMENTS

D730,566	S *	5/2015	Johnson	D26/98
D739,204	S *	9/2015	Arthurs	D8/311
D771,899	S *	11/2016	Wehling	D1/127
9,840,183	B2	12/2017	Tolly et al.		
9,862,300	B1	1/2018	Anderson		
D813,630	S	3/2018	Underwood et al.		
D813,639	S *	3/2018	Osanai	D8/307
D813,640	S *	3/2018	Osanai	D8/310
D813,641	S *	3/2018	Osanai	D8/310
D822,082	S *	7/2018	Tanimura	G05G 1/10 D15/143
D829,787	S *	10/2018	Tanimura	D15/143
10,107,381	B2	10/2018	Niu		
D867,109	S	11/2019	Piskur et al.		
10,583,770	B2	3/2020	Tolly et al.		
10,710,840	B1	7/2020	Williams		
10,723,255	B2	7/2020	Plahuta		
10,875,441	B2	12/2020	Shrewsbury		
D910,412	S *	2/2021	Petursson	D8/312
11,046,234	B2	6/2021	Ziegler		
D925,749	S *	7/2021	Bell	G05G 1/10 D24/214
11,091,108	B2	8/2021	Chen et al.		
D930,282	S *	9/2021	Shrestha	D30/160
2009/0265891	A1 *	10/2009	Pett	G05G 1/10 16/430
2010/0275417	A1	11/2010	Yang		
2021/0170937	A1	6/2021	Chen et al.		

* cited by examiner

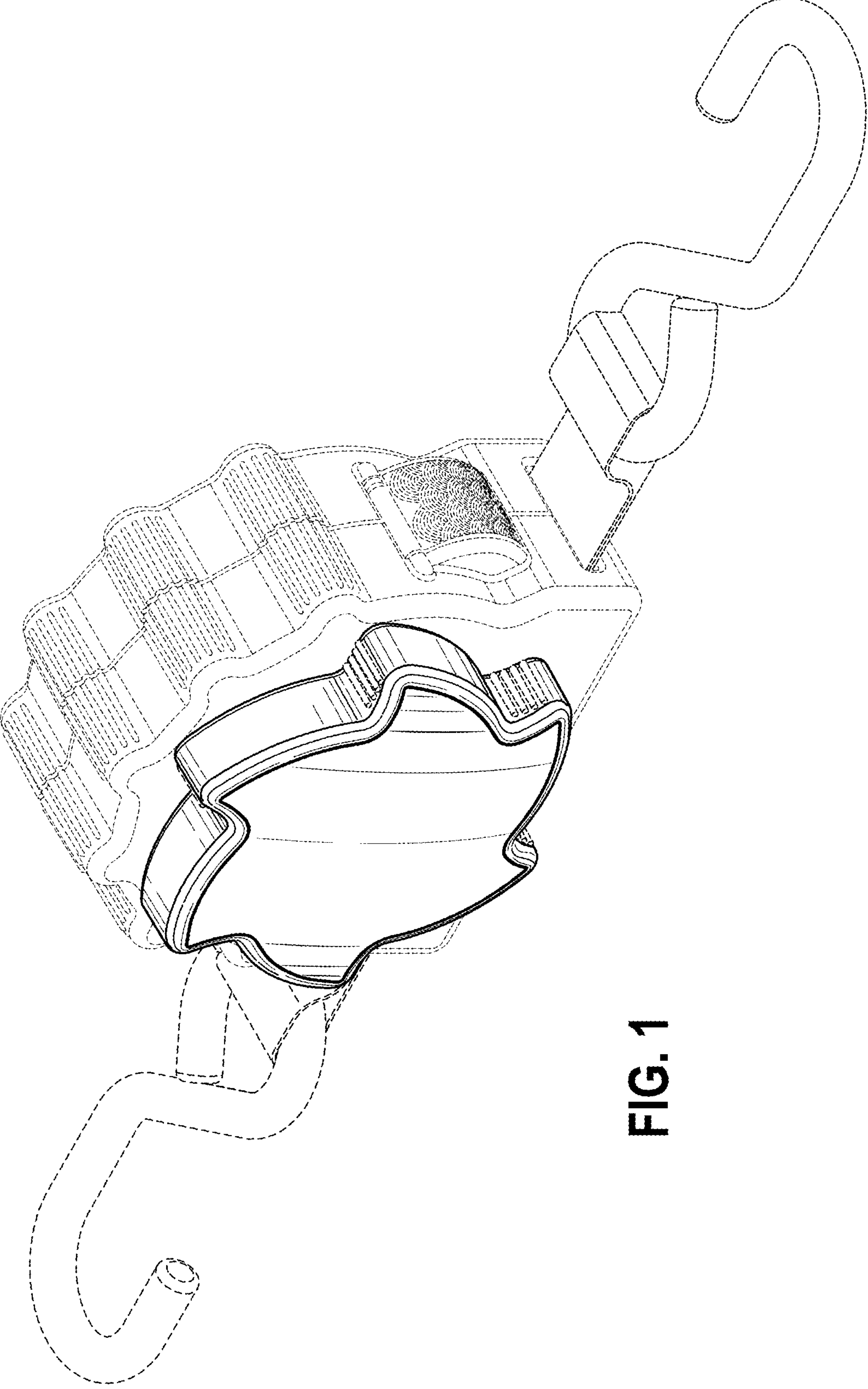


FIG. 1

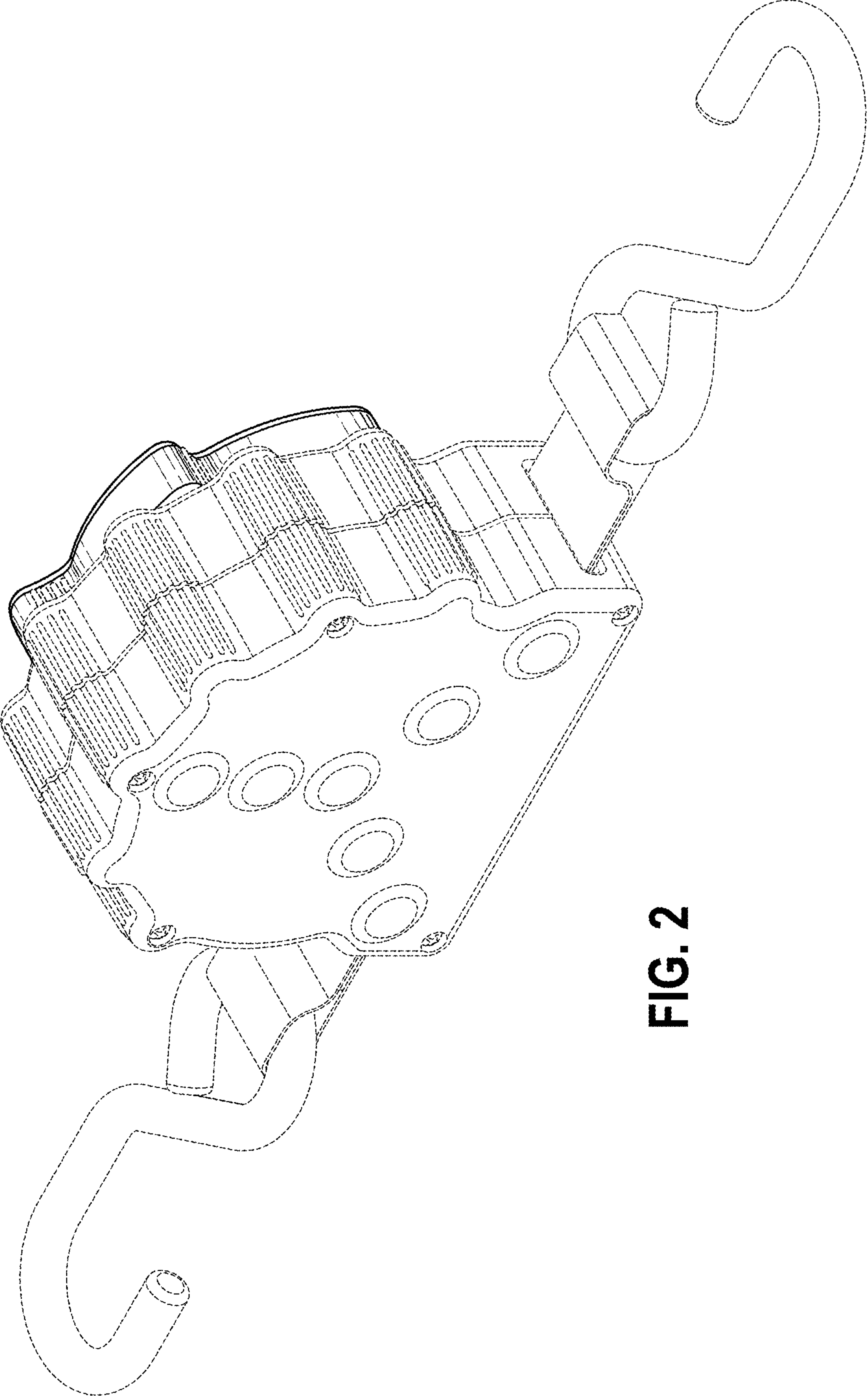


FIG. 2

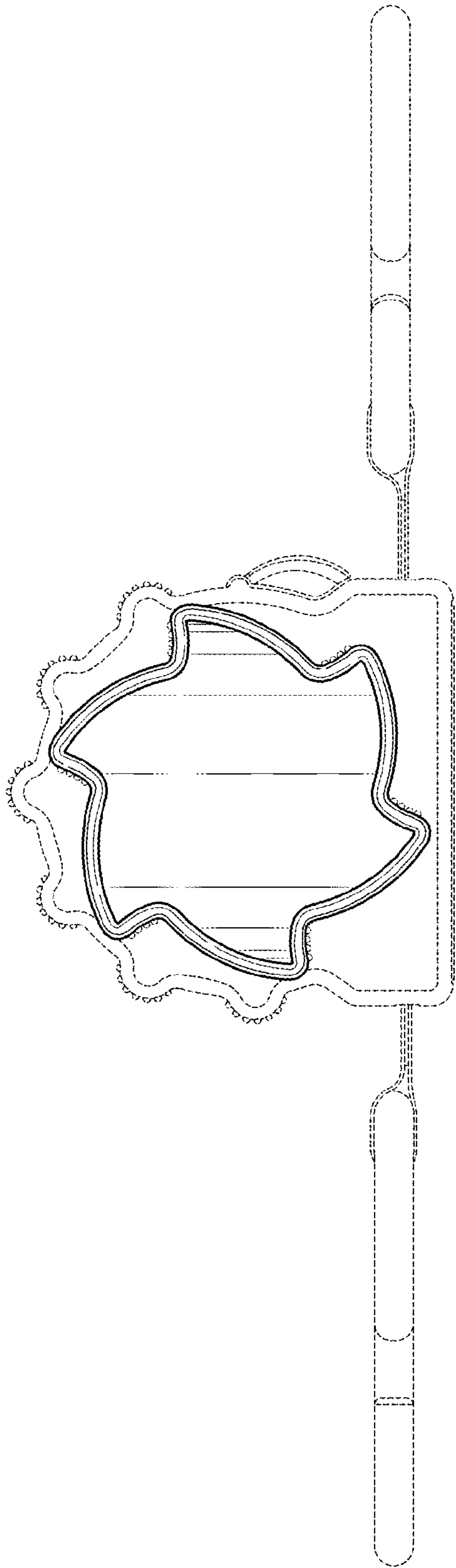


FIG. 3

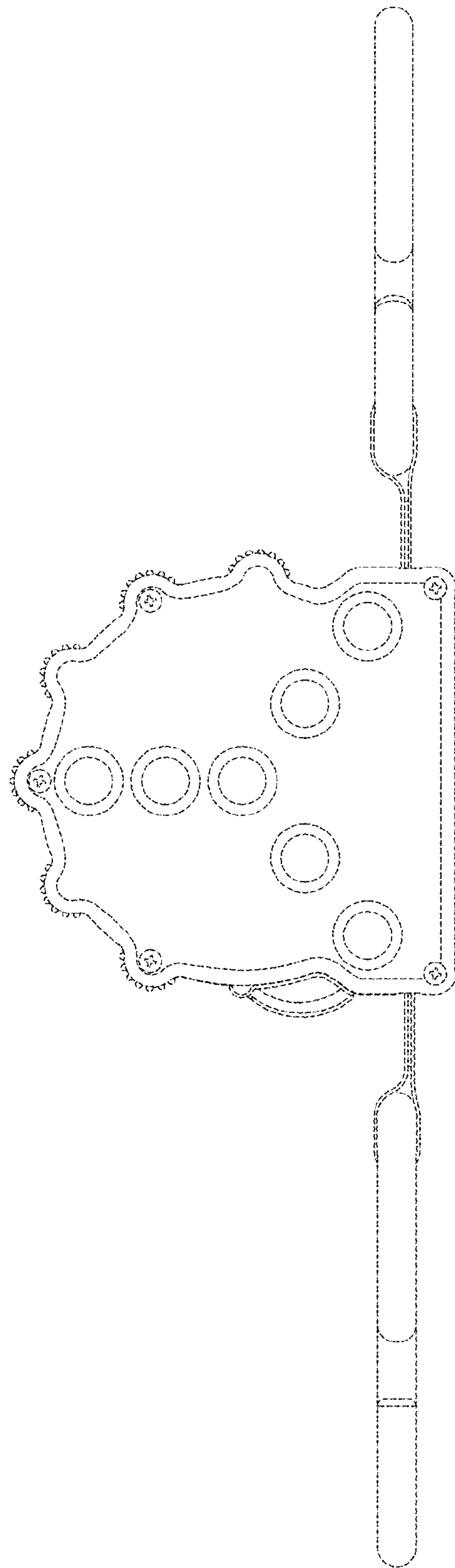


FIG. 4

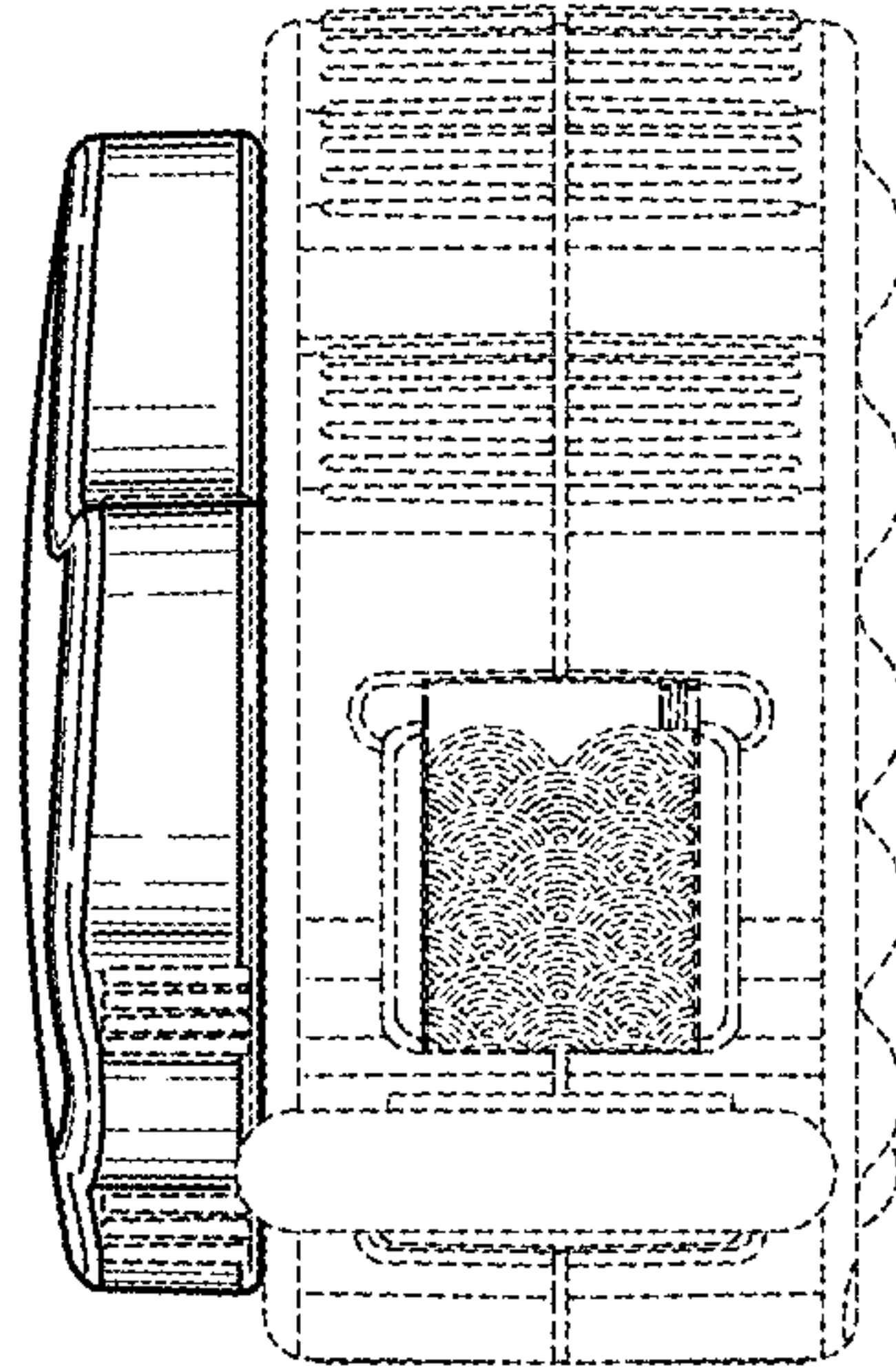


FIG. 5

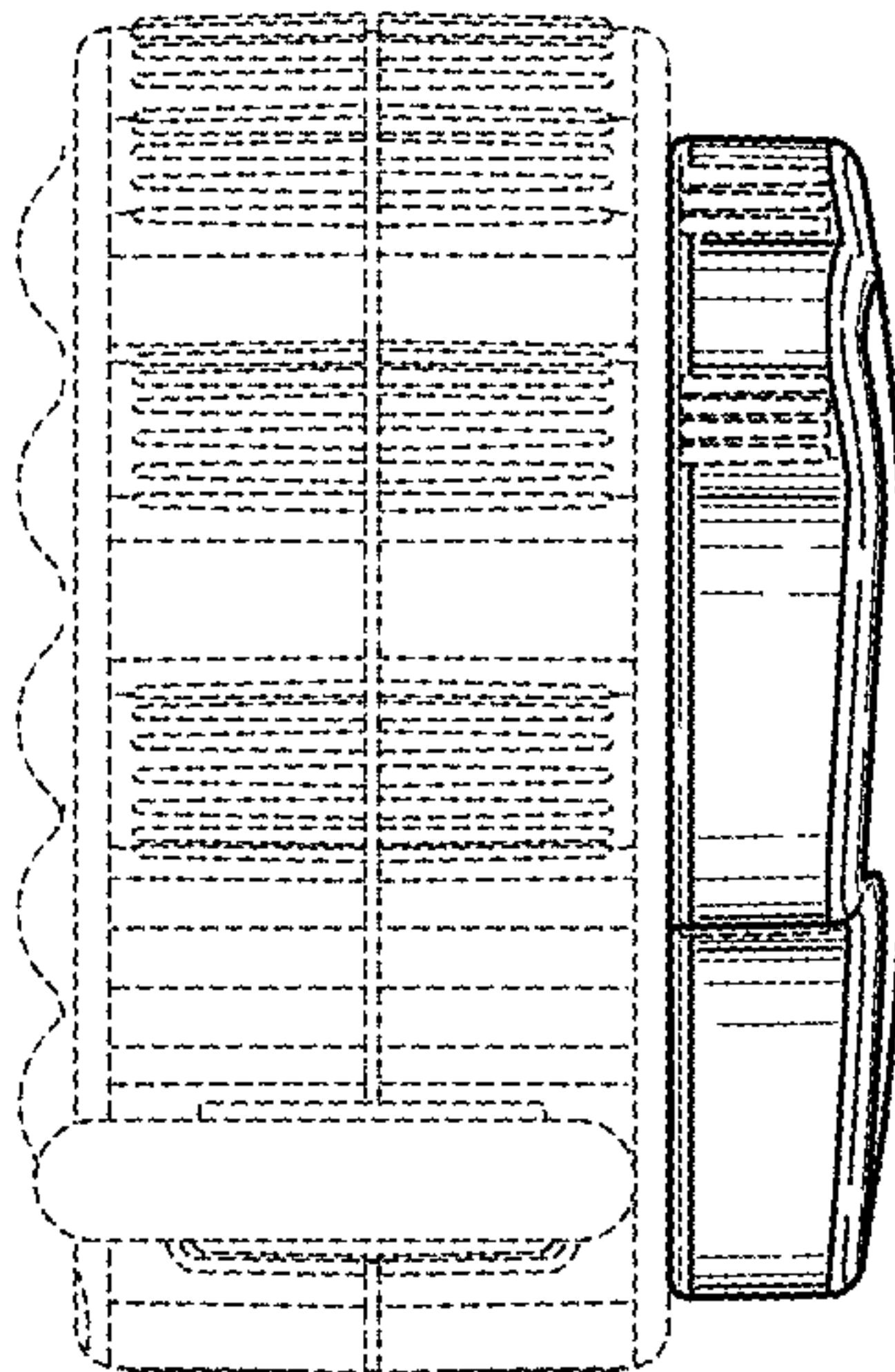


FIG. 6

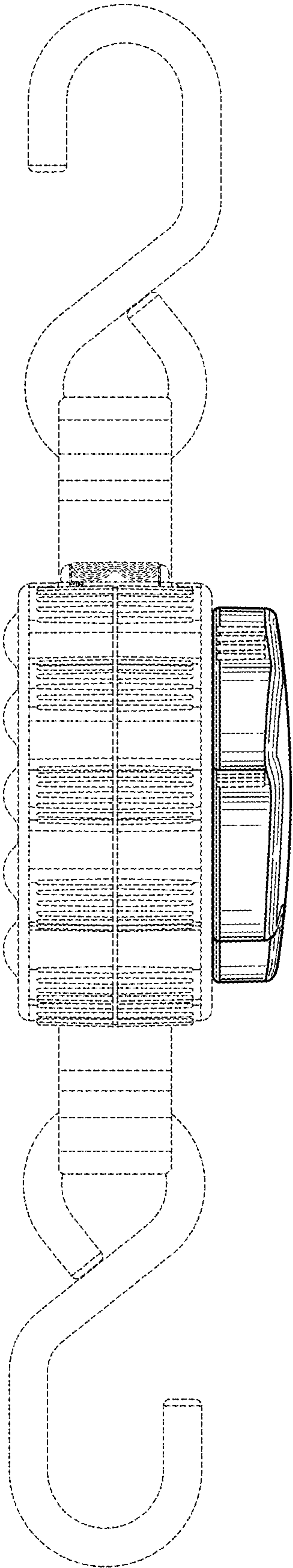


FIG. 7

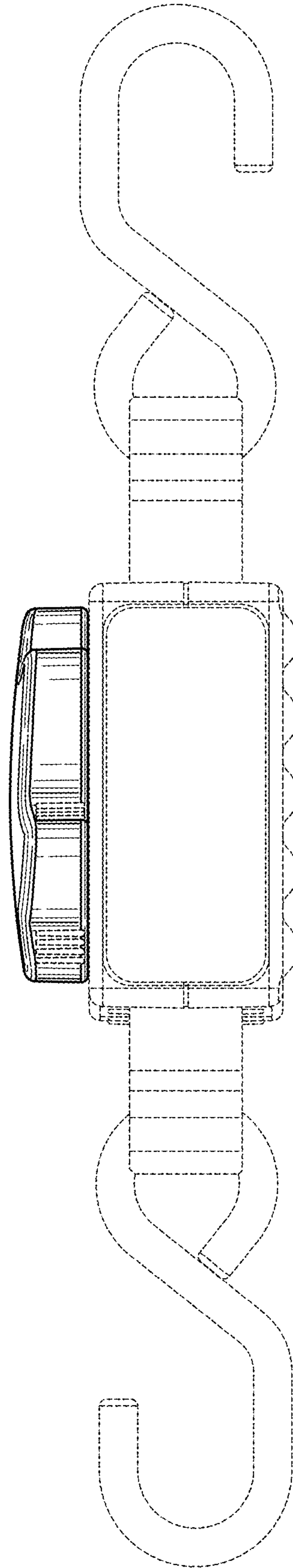


FIG. 8