



US00D978644S

(12) **United States Design Patent**
Pang

(10) **Patent No.:** **US D978,644 S**

(45) **Date of Patent:** **** Feb. 21, 2023**

(54) **BENDING TOOL FOR A 3D METAL JIGSAW
PUZZLE ASSEMBLY**

(71) Applicant: **Ziyun Pang**, Guangdong (CN)

(72) Inventor: **Ziyun Pang**, Guangdong (CN)

(73) Assignee: **Shenzhen Zhiyun Network
Technology Co., Ltd.**, Guangdong
(CN)

(**) Term: **15 Years**

(21) Appl. No.: **29/781,473**

(22) Filed: **Apr. 30, 2021**

(51) **LOC (14) Cl.** **08-05**

(52) **U.S. Cl.**
USPC **D8/14; D8/32**

(58) **Field of Classification Search**
USPC **D8/14, 32, 71; D10/64**
CPC **B21F 1/002; B21F 1/06; B21F 1/00; B21F**
3/04; Y10T 29/49588

See application file for complete search history.

(56) **References Cited**

U.S. PATENT DOCUMENTS

- 4,049,025 A * 9/1977 Gillingwater B21F 45/00
140/123
- D316,018 S 4/1991 Penner et al.
- D316,658 S 5/1991 Wanner
- D319,376 S * 8/1991 Young D8/32
- D326,395 S 5/1992 Vincent
- D338,147 S * 8/1993 Gordin D8/71

- 5,632,086 A * 5/1997 Helwig B21F 1/06
72/457
- D388,673 S 1/1998 Brooke
- 5,878,788 A * 3/1999 Gurry B21F 1/002
140/92.1
- D415,665 S 10/1999 Nordell, II et al.
- D421,575 S * 3/2000 Palm D10/64
- 6,253,798 B1 * 7/2001 Helwig B21F 1/002
140/92.1
- D479,138 S * 9/2003 Taccolini D10/64
- D557,093 S 12/2007 Holt
- 8,359,892 B1 * 1/2013 Karty B21F 1/002
81/177.1
- D772,313 S 11/2016 Nodu
- D797,174 S 9/2017 Freilich
- 2015/0107716 A1 * 4/2015 White B21F 1/002
140/123

* cited by examiner

Primary Examiner — Philip S Hyder

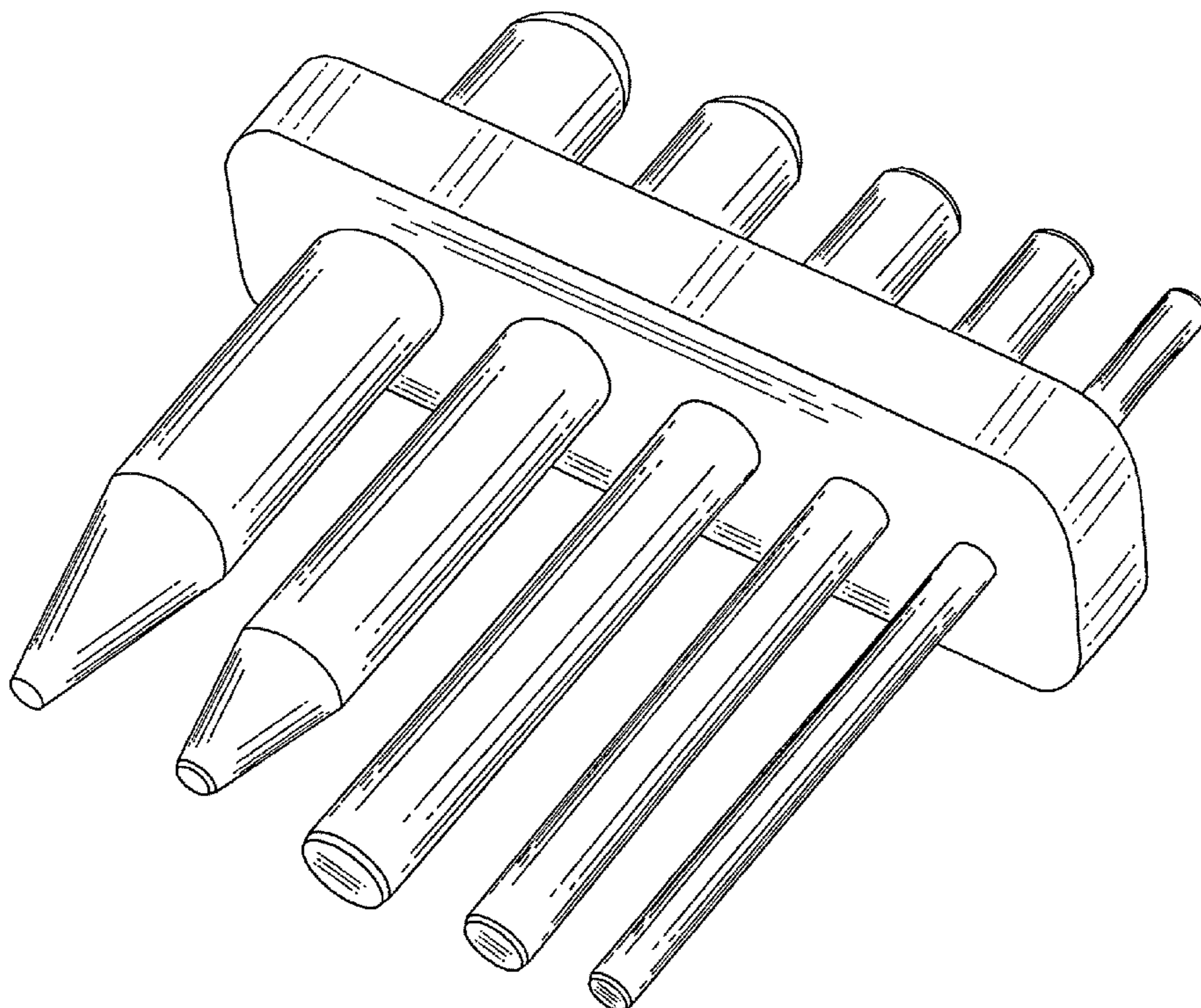
(57) **CLAIM**

The ornamental design for a bending tool for a 3D metal jigsaw puzzle assembly, as shown and described.

DESCRIPTION

FIG. 1 is a perspective view of a bending tool for a 3D metal jigsaw puzzle assembly showing my new design; FIG. 2 is a front elevation view thereof; FIG. 3 is a rear elevation view thereof; FIG. 4 is a left side elevation view thereof; FIG. 5 is a right side elevation view thereof; FIG. 6 is a top plan view thereof; and, FIG. 7 is a bottom plan view thereof.

1 Claim, 7 Drawing Sheets



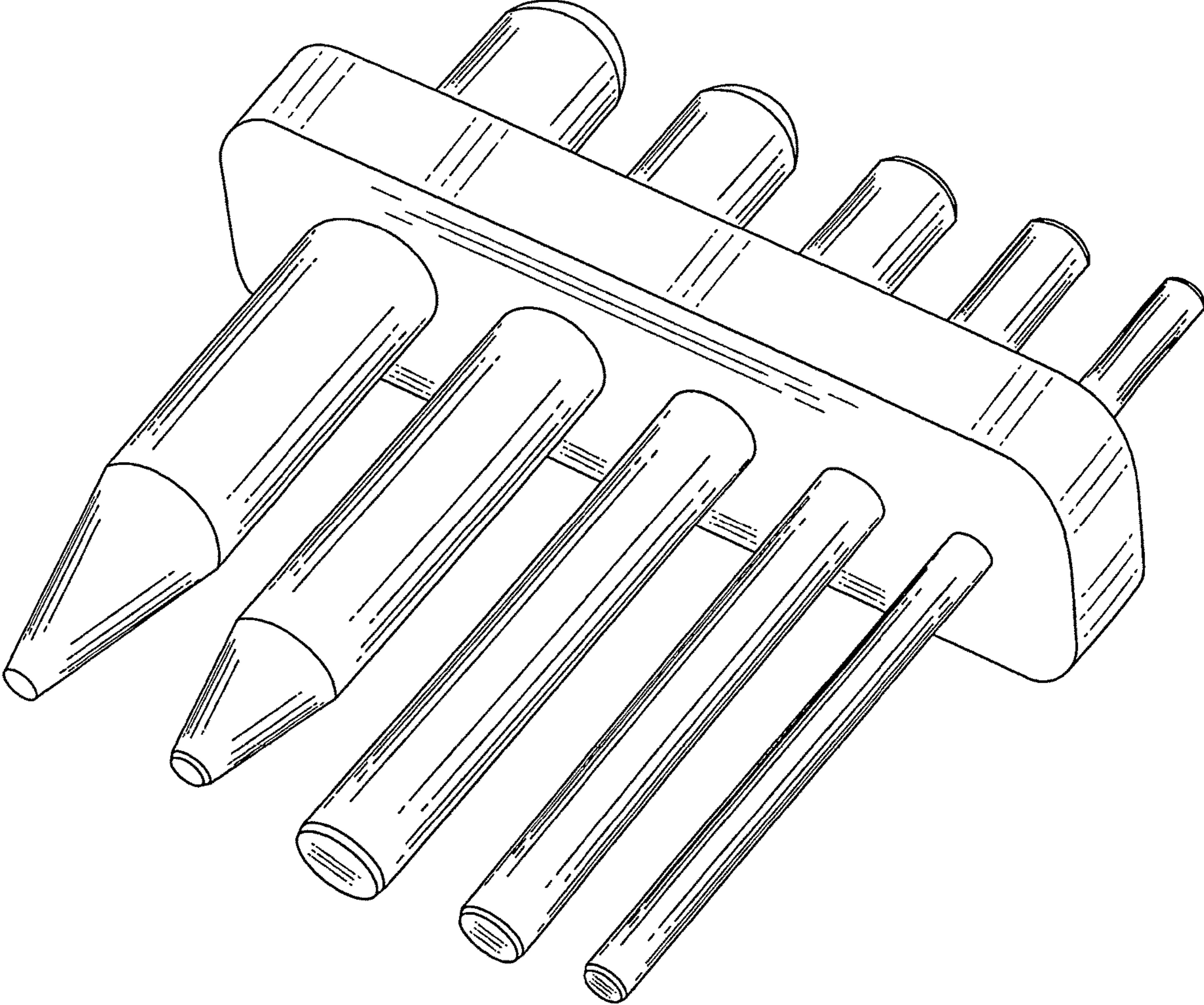


FIG. 1

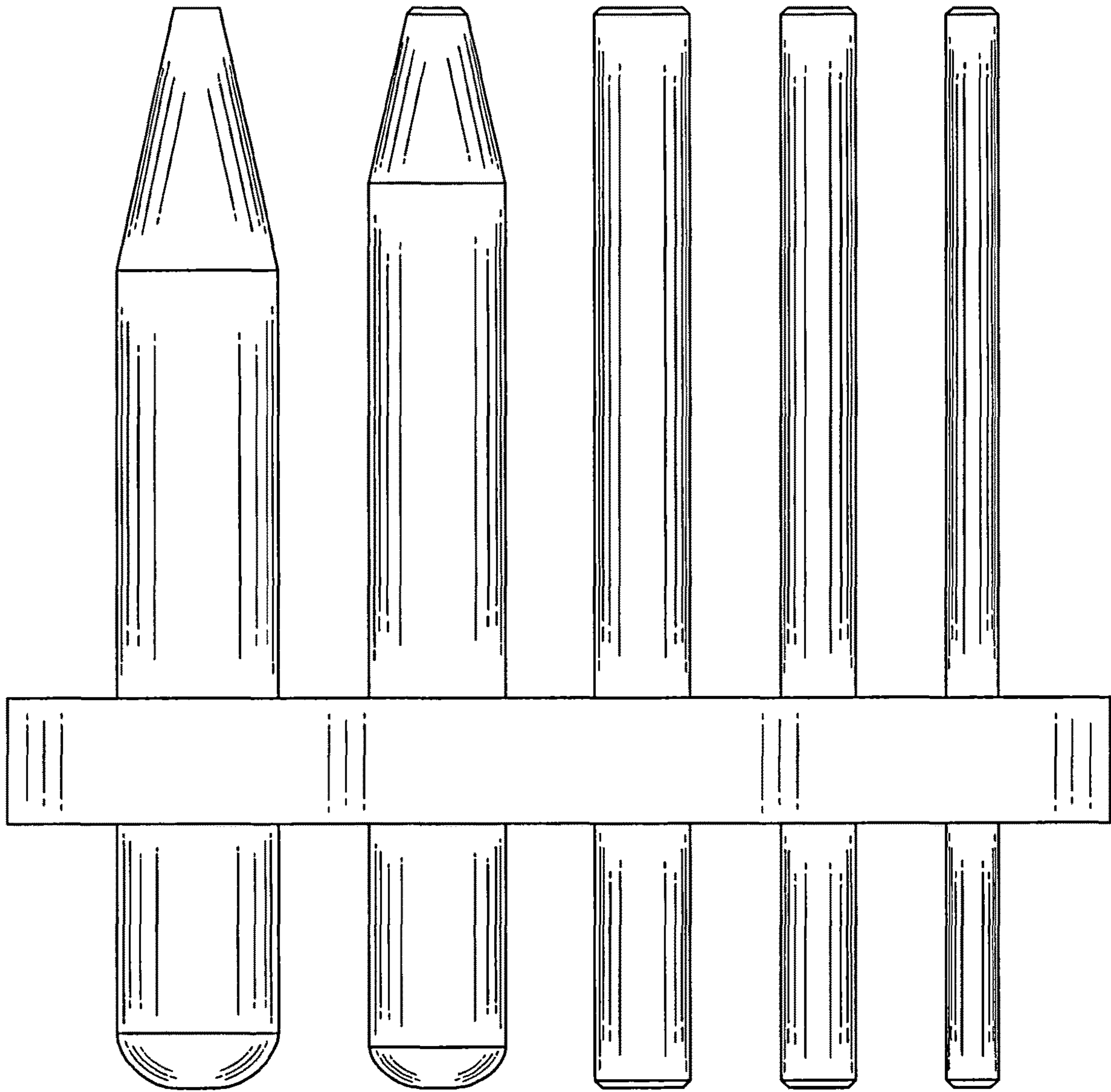


FIG. 2

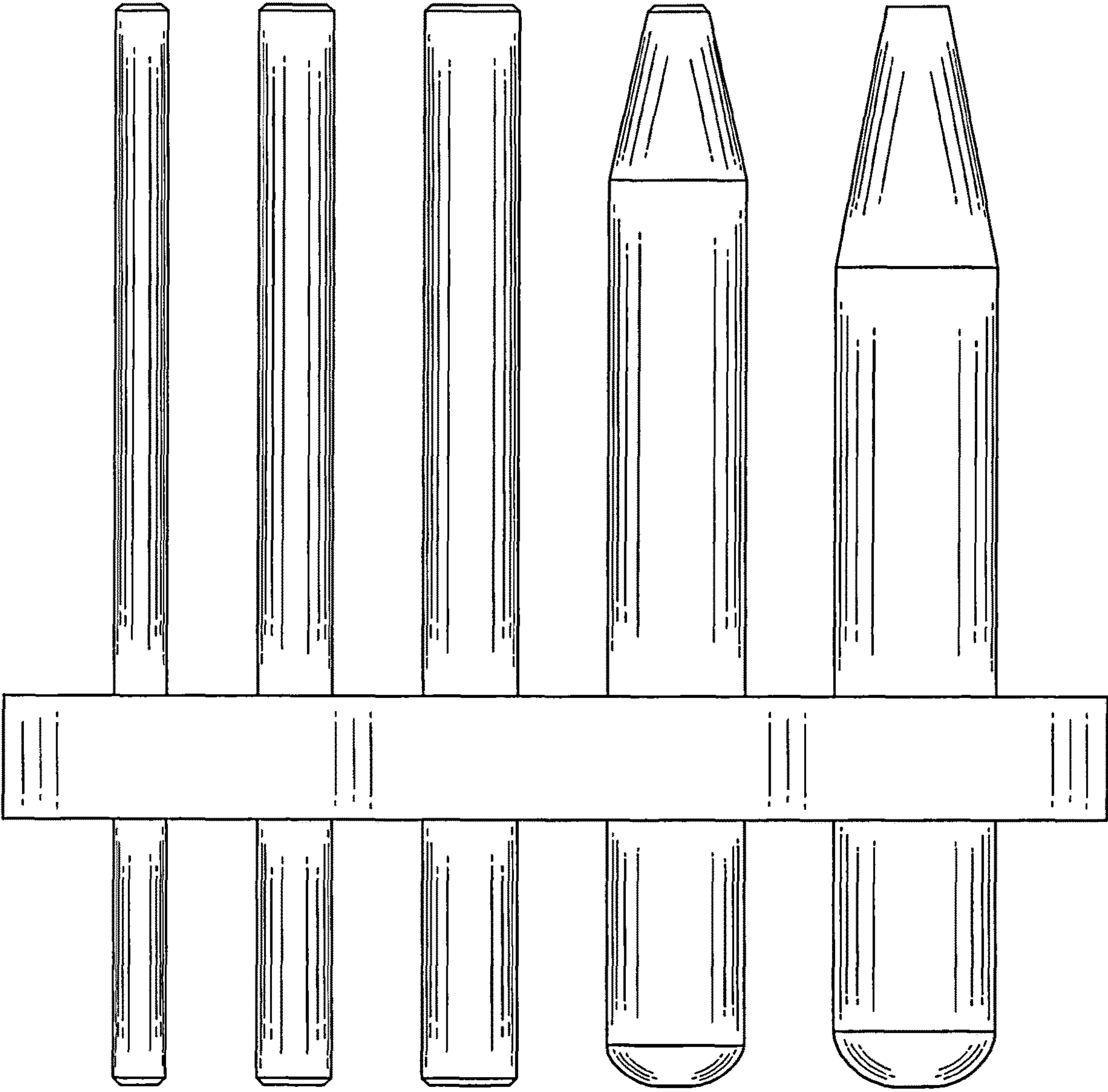


FIG. 3

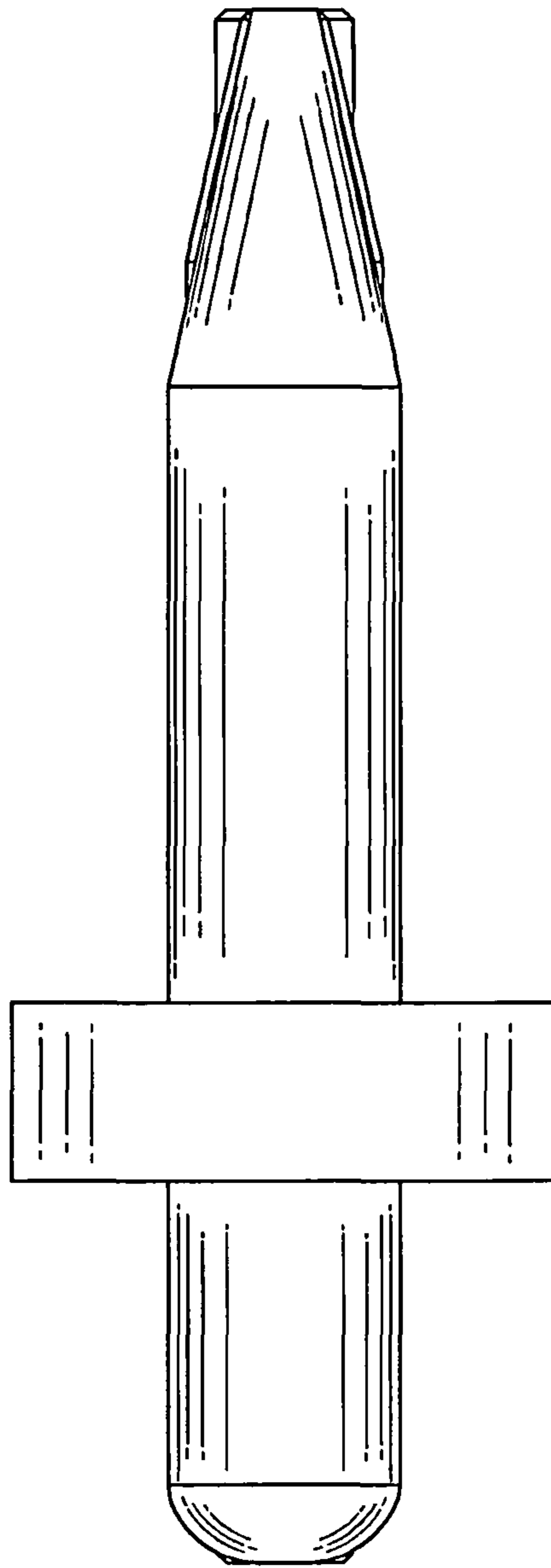


FIG. 4

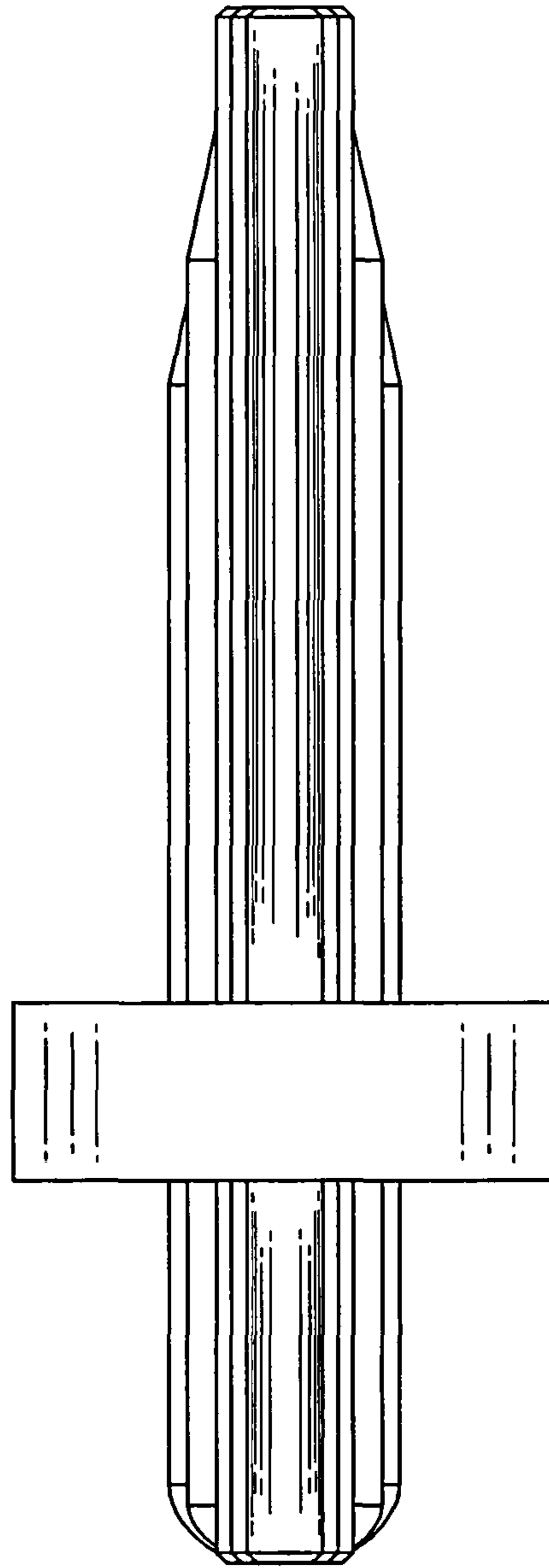


FIG. 5

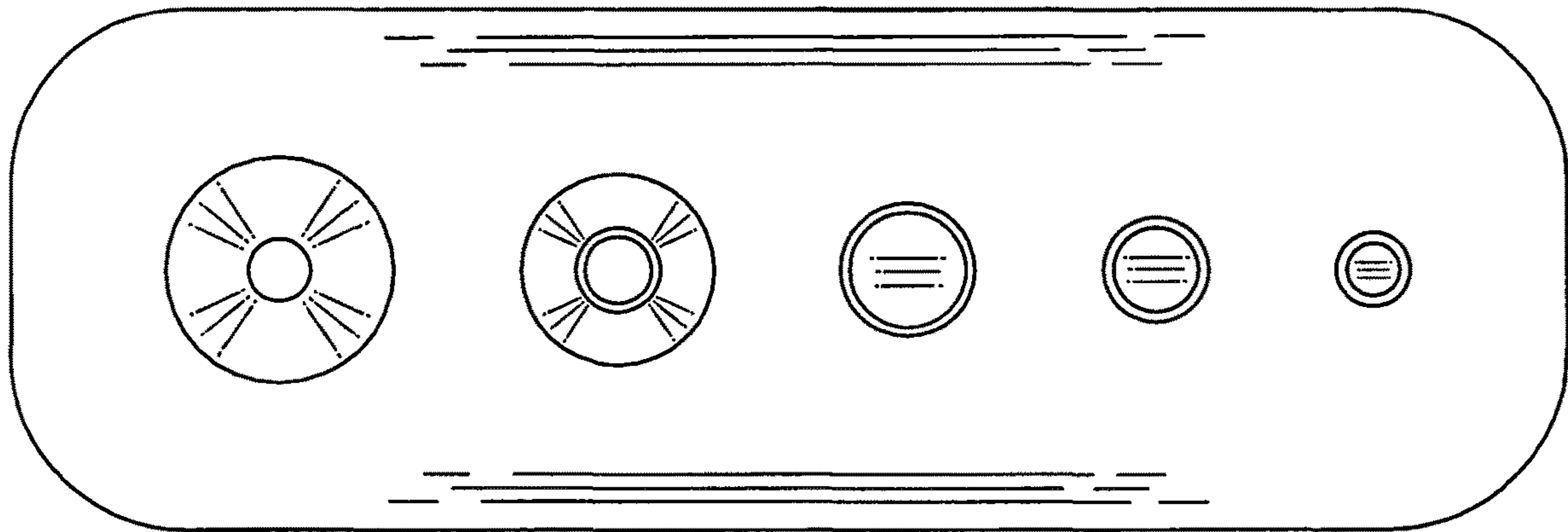


FIG. 6

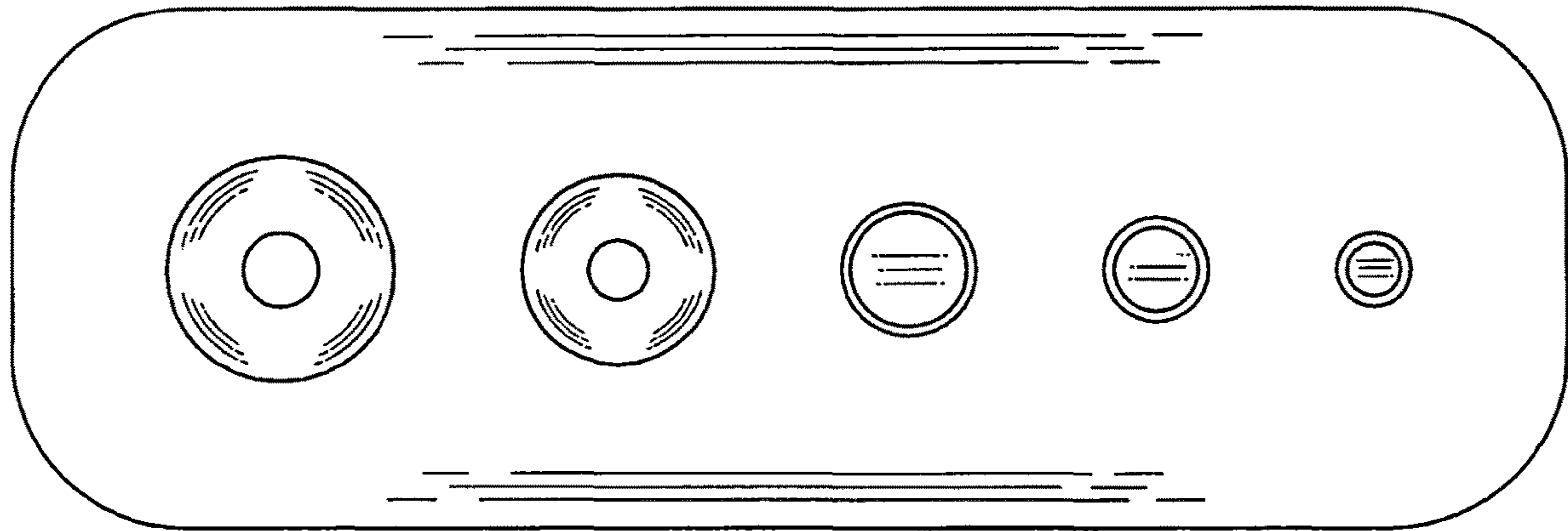


FIG. 7