



US00D978641S

(12) **United States Design Patent** (10) **Patent No.:** **US D978,641 S**
Heller (45) **Date of Patent:** **** Feb. 21, 2023**

(54) **KINDLING CUTTER**

D901,997 S * 11/2020 Baron D8/7
D953,825 S * 6/2022 Baron D8/7
D966,839 S * 10/2022 Jiang D8/1

(71) Applicant: **PLM Global Logistics, LLC**, Eau Claire, WI (US)

(72) Inventor: **Richard Heller**, Maple Grove, MN (US)

(73) Assignee: **PLM Global Logistics, LLC**, Eau Claire, WI (US)

(**) Term: **15 Years**

(21) Appl. No.: **29/804,945**

(22) Filed: **Aug. 24, 2021**

(51) **LOC (14) Cl.** **08-03**

(52) **U.S. Cl.**
USPC **D8/7**

(58) **Field of Classification Search**
USPC D8/7, 47, 76; D15/28, 127
CPC B27L 7/08; B27L 7/06; B27L 7/005; B27L 7/00

See application file for complete search history.

(56) **References Cited**

U.S. PATENT DOCUMENTS

D516,860 S * 3/2006 Nipke D7/403
D688,096 S * 8/2013 Pai D7/403

OTHER PUBLICATIONS

Amazon.com, Yaheeda kindling cracker wood splitter, undated online product page, retrieved Apr. 25, 2022 from <URL:https://www.amazon.com/dp/B09LCHX11J> (Year: 2022).*

Amazon.com, Speed force firewood splitter, undated online product page, retrieved Apr. 25, 2022 from <URL:https://www.amazon.com/dp/B0986HLDNC> (Year: 2022).*

* cited by examiner

Primary Examiner — Calvin E Vansant

(74) *Attorney, Agent, or Firm* — Anthony J. Bourget

(57) **CLAIM**

The ornamental design for a kindling cutter, as shown and described.

DESCRIPTION

FIG. 1 is an isometric view of the kindling cutter showing the new design;

FIG. 2 is a front view thereof, the back view being identical;

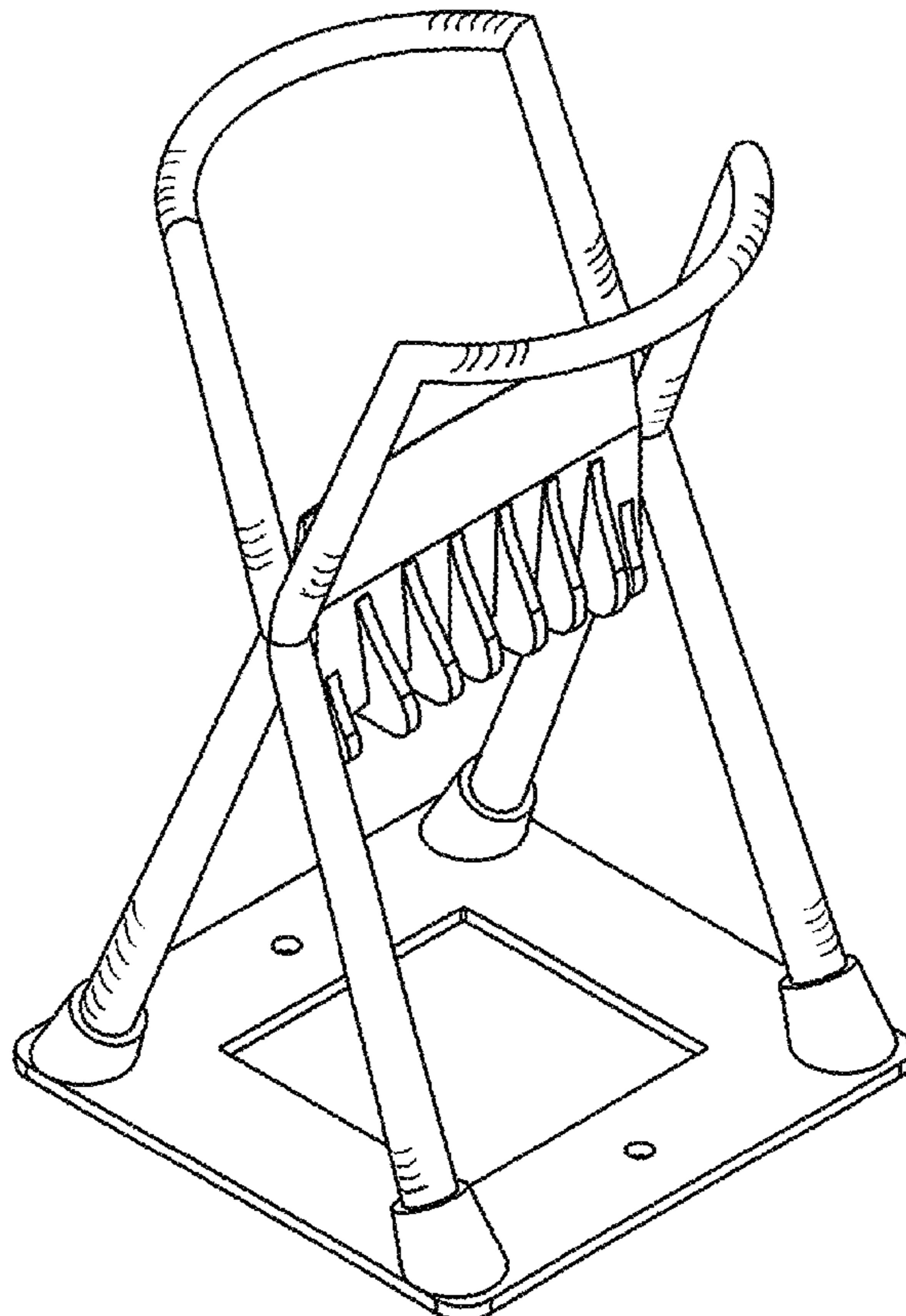
FIG. 3 is a left side view thereof, the right side view being identical;

FIG. 4 is a top view thereof;

FIG. 5 is a bottom view thereof; and,

FIG. 6 is a bottom perspective view thereof.

1 Claim, 6 Drawing Sheets



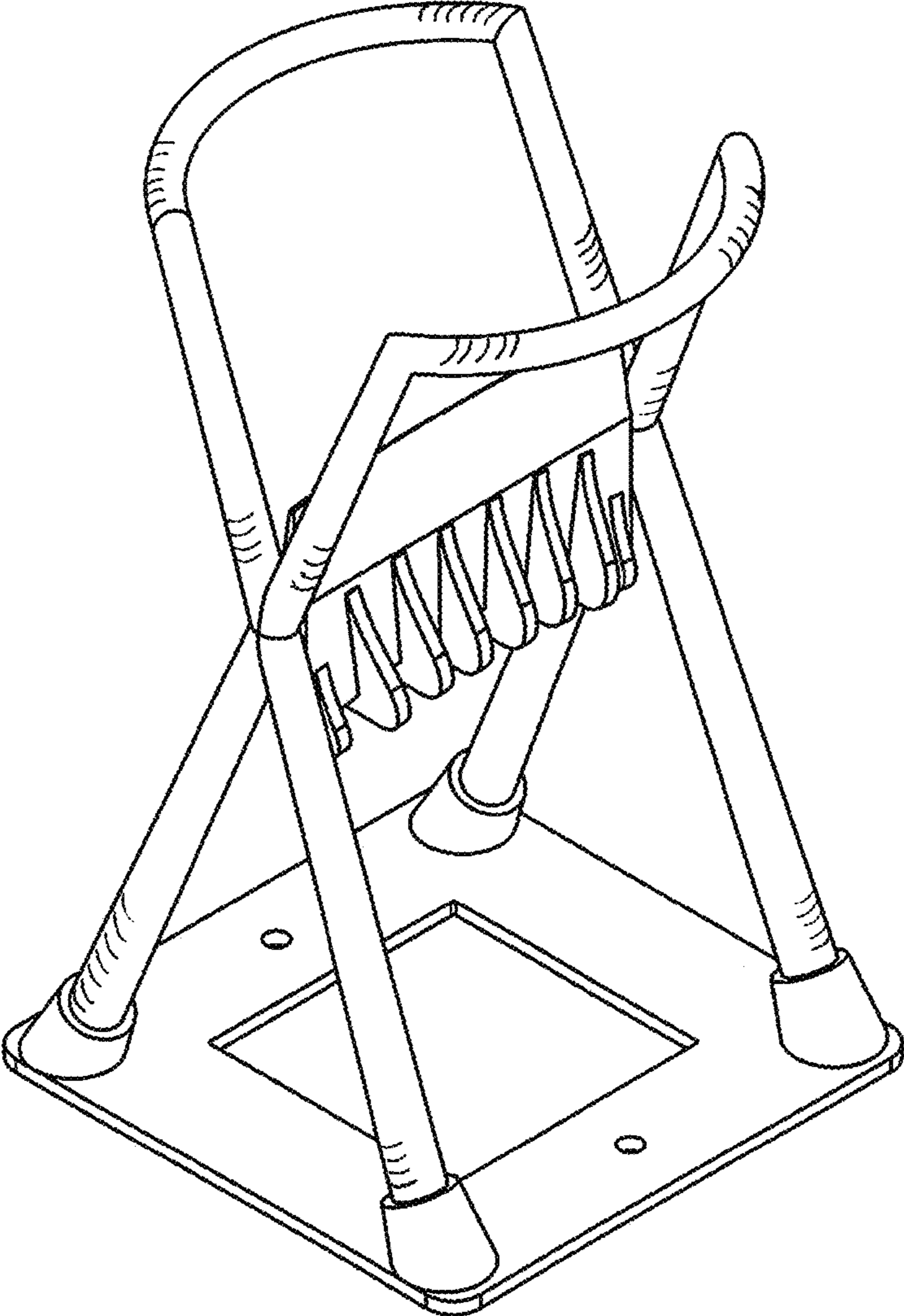


FIG.1

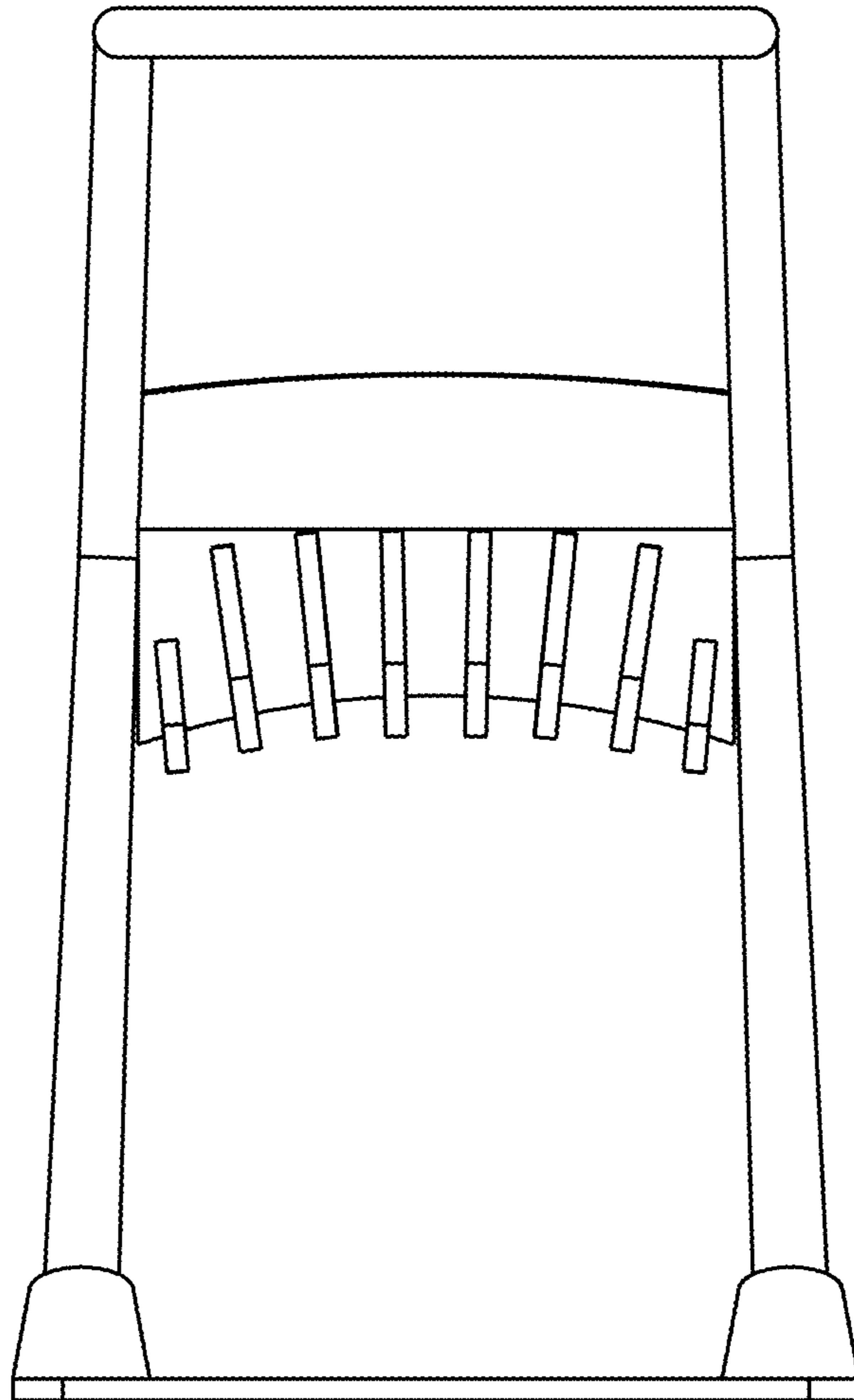


FIG.2

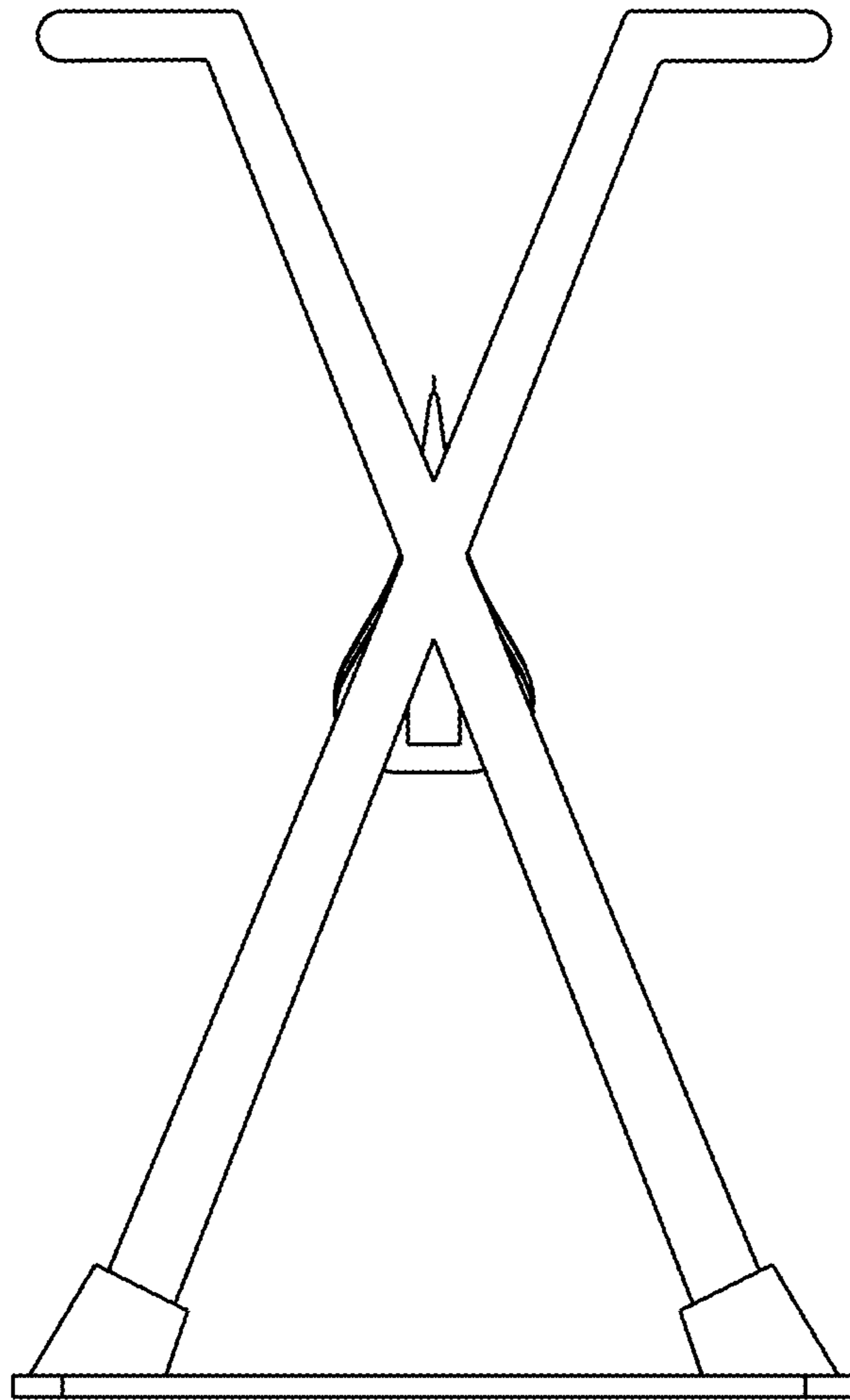


FIG.3

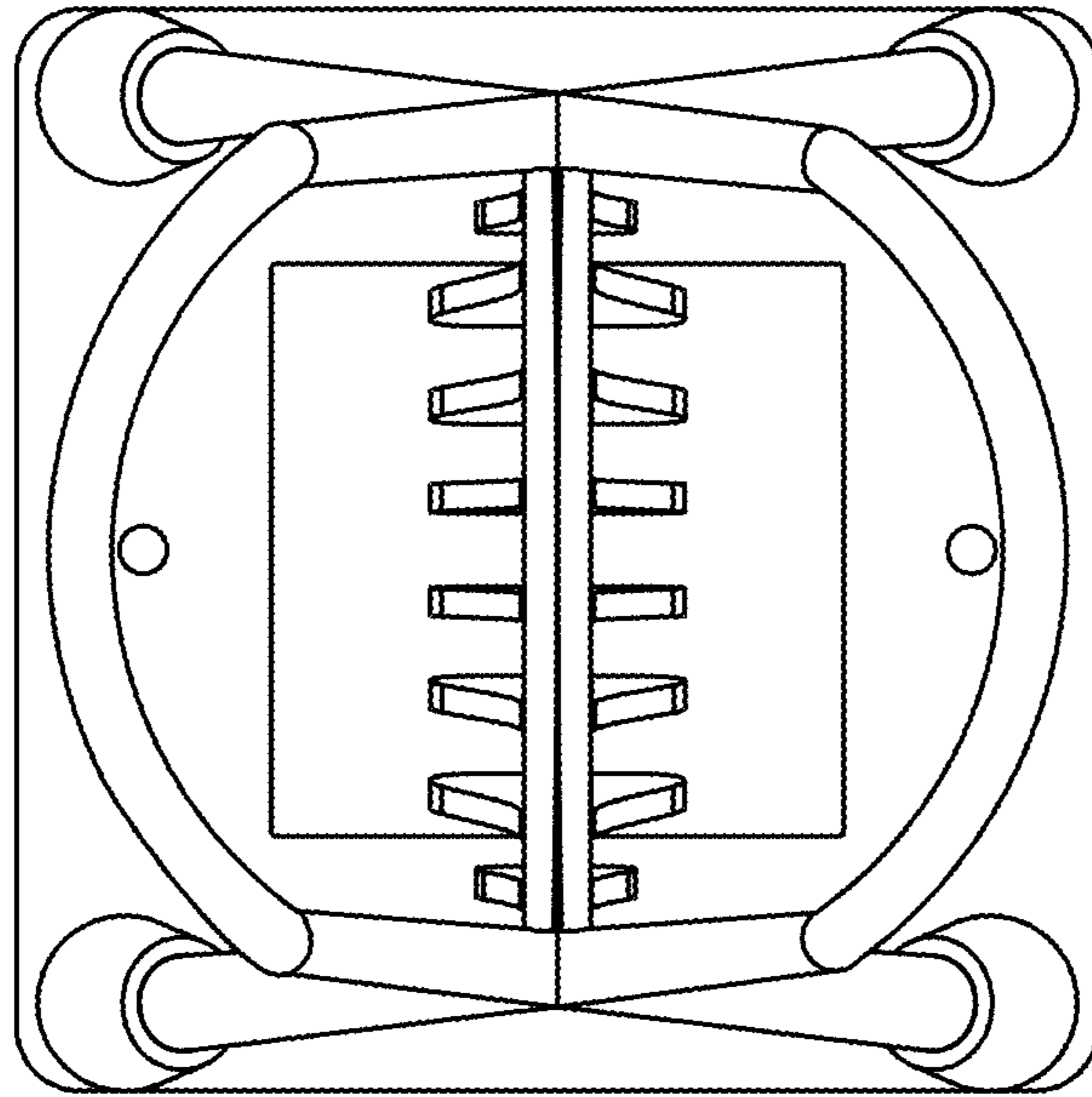


FIG.4

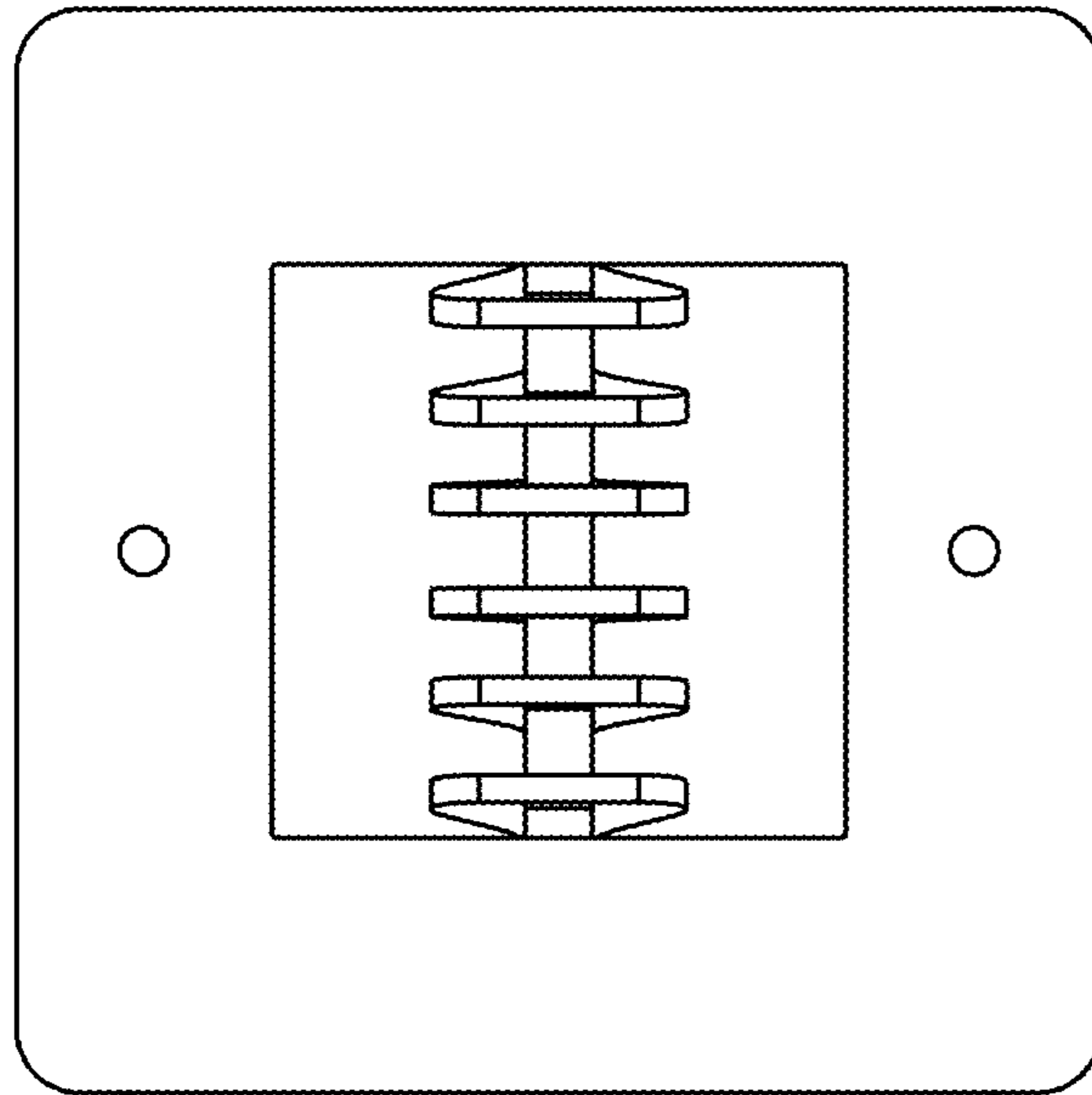


FIG.5

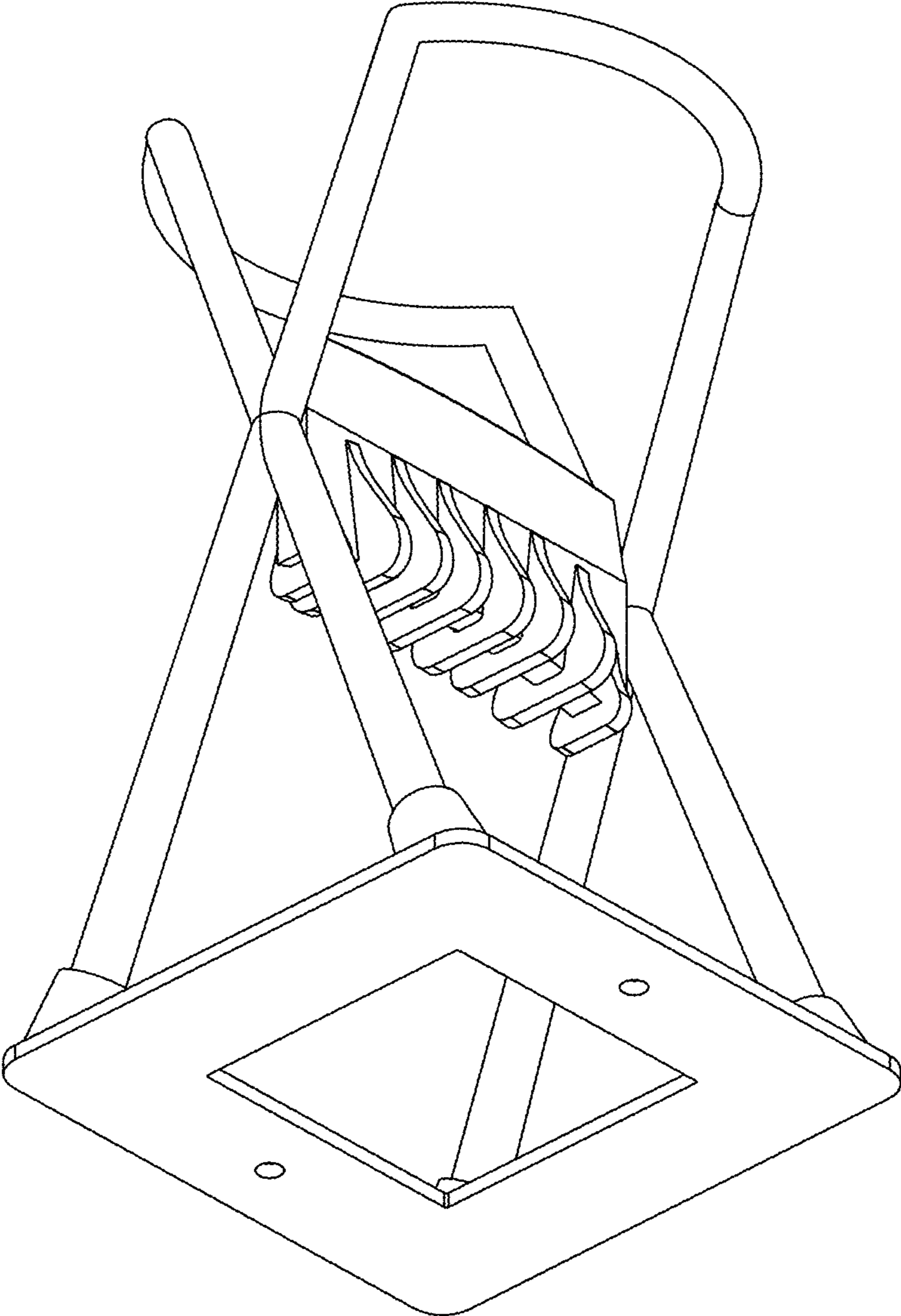


FIG.6