



US00D978635S

(12) **United States Design Patent** (10) **Patent No.:** **US D978,635 S**  
**Argo** (45) **Date of Patent:** **\*\* Feb. 21, 2023**

(54) **CUTTING BOARD**

FOREIGN PATENT DOCUMENTS

(71) Applicant: **Alexander Argo**, Dacula, GA (US)  
(72) Inventor: **Alexander Argo**, Dacula, GA (US)  
(\*\*) Term: **15 Years**  
(21) Appl. No.: **29/812,985**  
(22) Filed: **Oct. 26, 2021**  
(51) **LOC (14) Cl.** ..... **07-04**  
(52) **U.S. Cl.**  
USPC ..... **D7/698**  
(58) **Field of Classification Search**  
USPC ..... D7/396.1, 543, 549, 550.1, 554.3, 586,  
D7/698-699; D32/55-57  
CPC ..... A47J 47/00; A47J 47/005; A47J 47/20;  
B26D 7/0006; B26D 7/018; B26D 7/20;  
B23D 21/00; B23K 37/04; B23K 37/053;  
B23Q 16/001  
See application file for complete search history.

BR 202019000756 U2 7/2020  
EM 000646302-0016 1/2007  
EM 000698550-0004 4/2007  
EM 001473219-0001 8/2019  
EM 008593149-0001 7/2021  
GB 2484143 A 4/2012  
KR 100573297 B1 4/2006  
KR 200432952 Y1 12/2006

OTHER PUBLICATIONS

July Home Cutting Boards for Kitchen. Date First Available on Amazon.com Nov. 21, 2022. <https://www.amazon.com/dp/B0BN26N81D/ref> (Year: 2022).\*

\* cited by examiner

*Primary Examiner* — Ricky Pham

(57) **CLAIM**

The ornamental design for a cutting board, as shown and described.

(56) **References Cited**

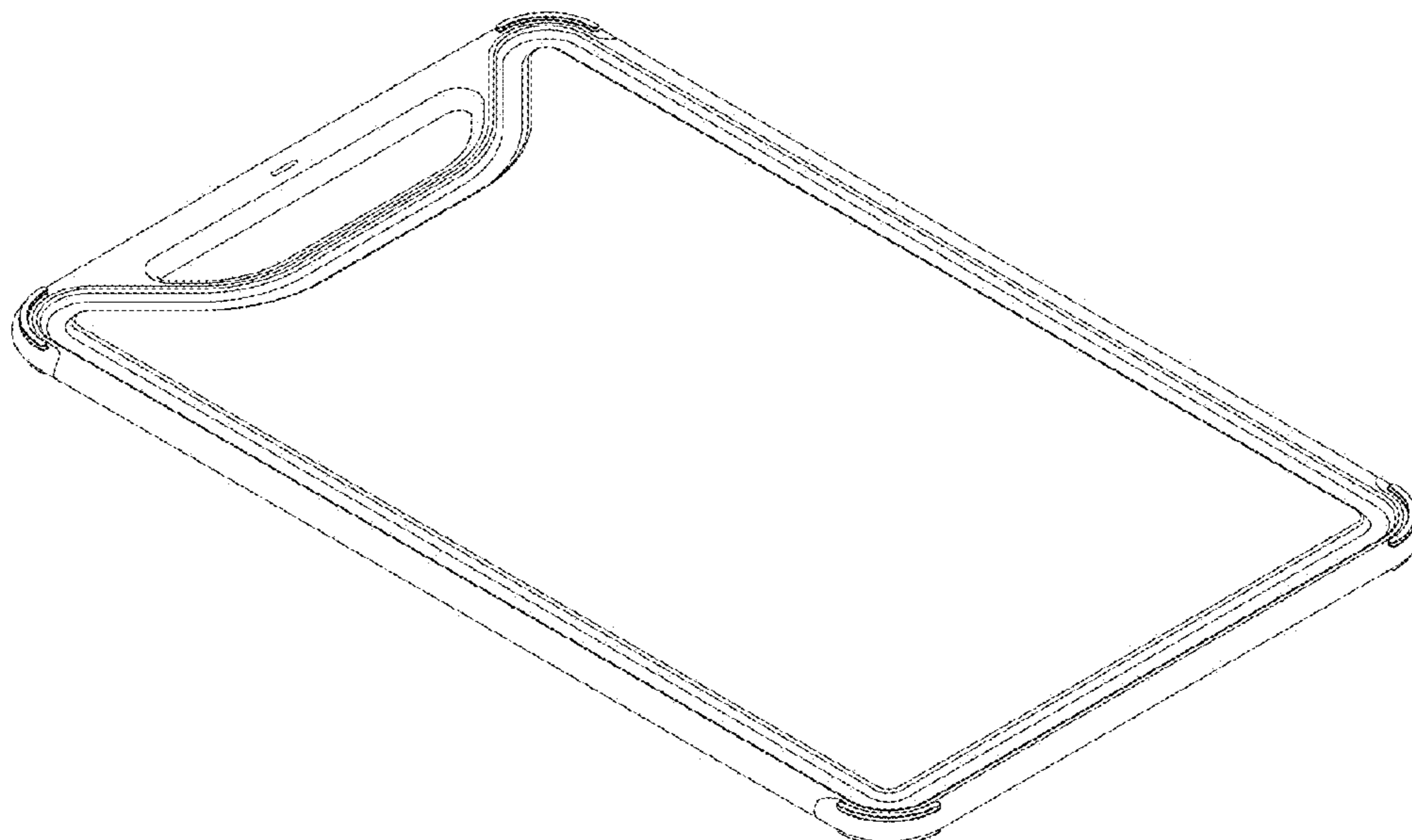
U.S. PATENT DOCUMENTS

1,655,735 A \* 1/1928 Meinecke ..... A47G 23/06  
294/172  
D225,764 S \* 1/1973 Duecker ..... D7/698  
D464,237 S \* 10/2002 Kaposi ..... D7/698  
D528,858 S \* 9/2006 Swope ..... D7/698  
D543,423 S \* 5/2007 Benson ..... D7/698  
D556,522 S \* 12/2007 Martinez ..... D7/698  
7,681,871 B2 3/2010 Shew  
D645,311 S \* 9/2011 Shamoon ..... D7/699  
D719,795 S \* 12/2014 Khuu ..... D7/698  
D723,882 S 3/2015 Khuu  
D745,345 S \* 12/2015 Joseph ..... D7/698  
D880,260 S \* 4/2020 Hamilton ..... D7/698  
D911,131 S \* 2/2021 Gong ..... D7/699  
D926,530 S \* 8/2021 Guo ..... D7/554.3  
2011/0169208 A1 7/2011 Almeda  
2015/0108702 A1 4/2015 Quanh

**DESCRIPTION**

FIG. 1 is a perspective view of a cutting board showing my new design;  
FIG. 2 is a front view thereof;  
FIG. 3 is a rear view thereof;  
FIG. 4 is a right side view thereof;  
FIG. 5 is a left side view thereof;  
FIG. 6 is a top view thereof; and,  
FIG. 7 is a bottom view thereof.  
My cutting board design is characterized by having a handle on one end, as well as a groove along three sides and a handle.

**1 Claim, 4 Drawing Sheets**



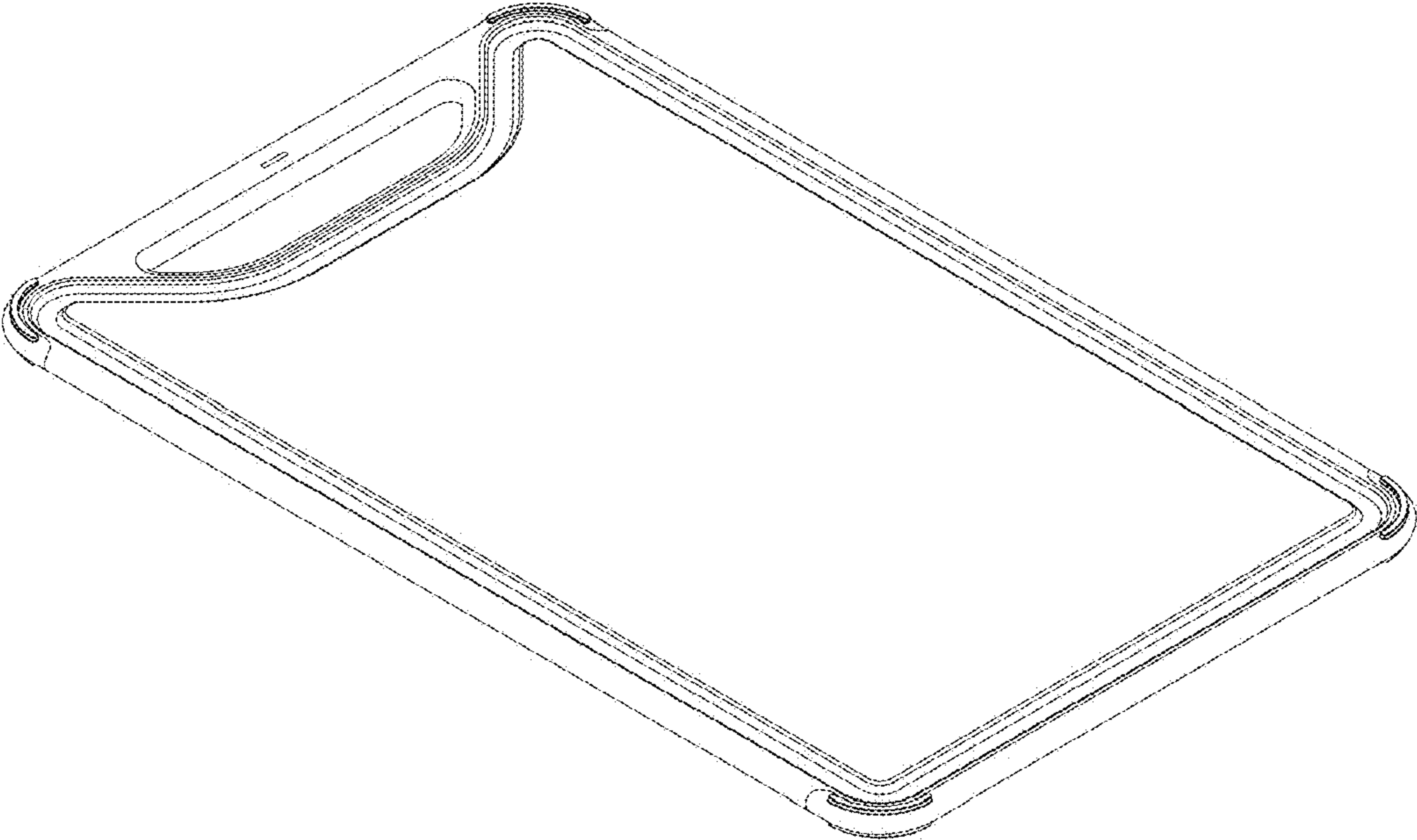


FIG.1

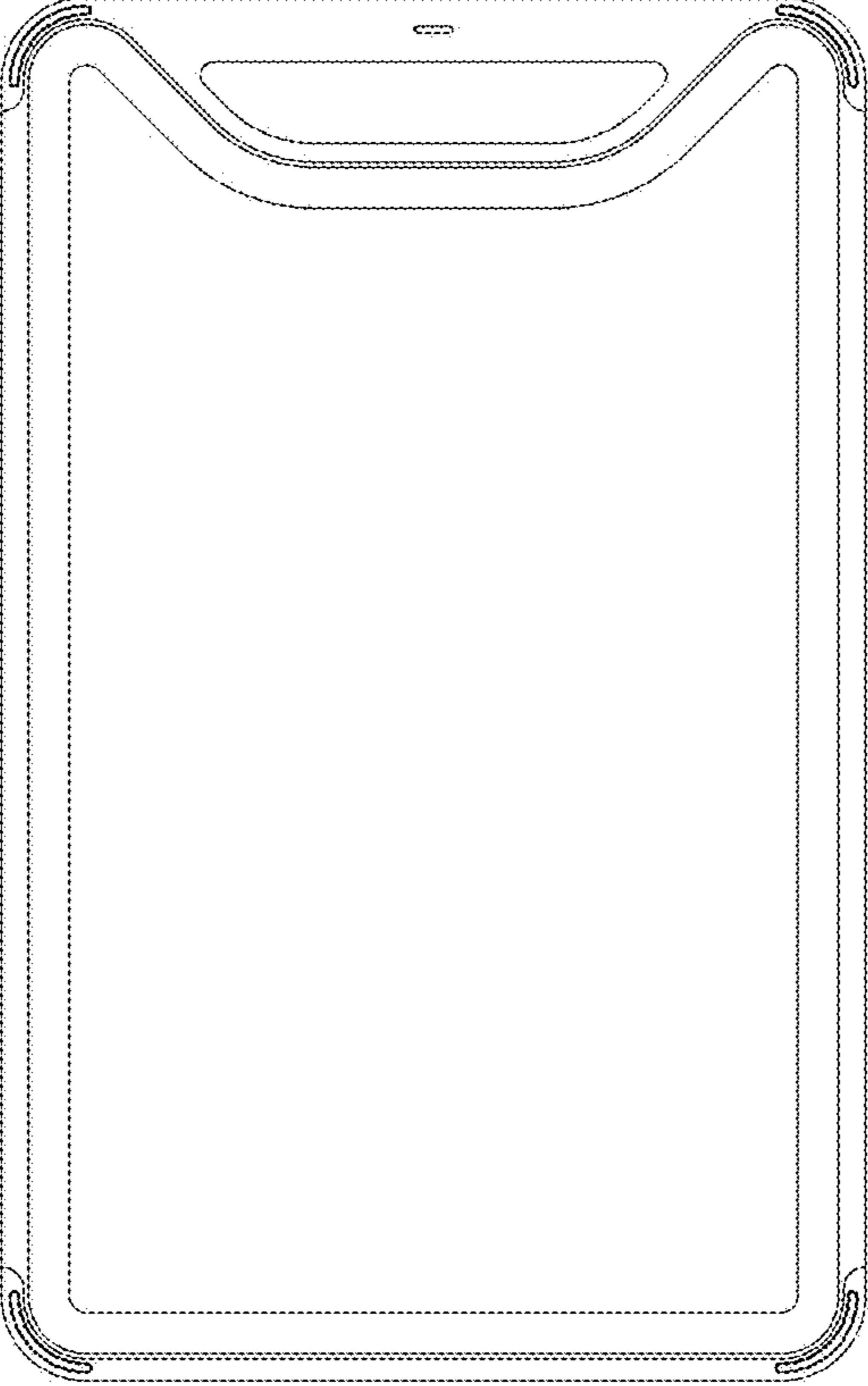


FIG.2

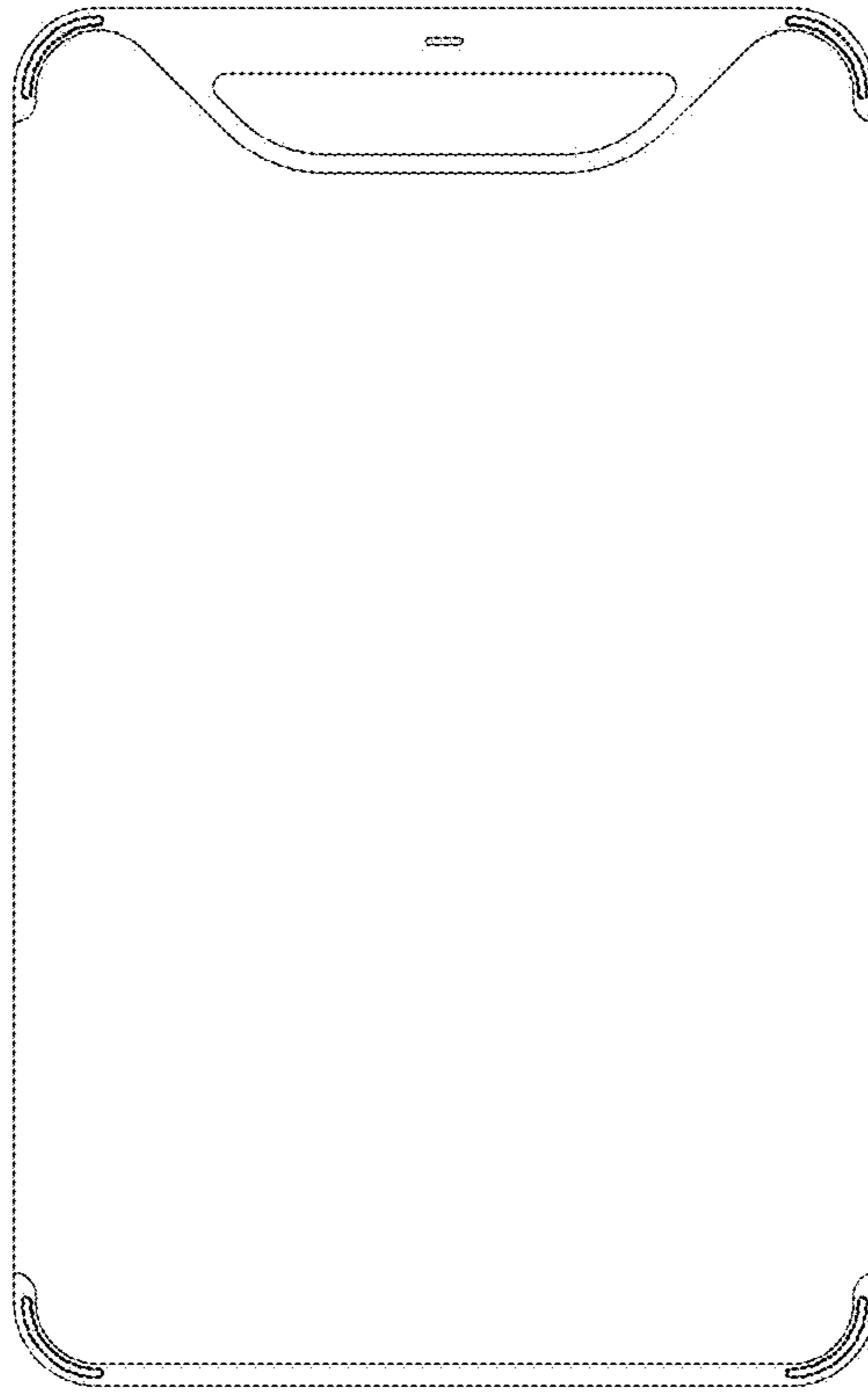


FIG.3

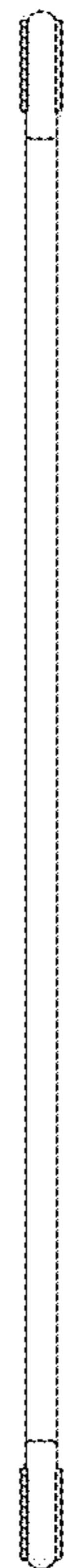


FIG.4



FIG.5



FIG.6

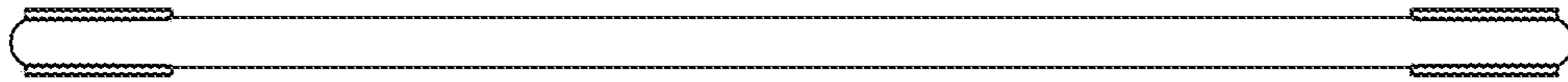


FIG.7