



US00D978633S

(12) **United States Design Patent**  
**Zhang**

(10) **Patent No.:** **US D978,633 S**

(45) **Date of Patent:** **\*\* Feb. 21, 2023**

(54) **SLICER FOR GARLIC AND GINGER**

(71) Applicant: **CONAIR LLC**, Stamford, CT (US)

(72) Inventor: **Liu Zhang**, Dongguan (CN)

(73) Assignee: **Conair LLC**, Stamford, CT (US)

(\*\*) Term: **15 Years**

(21) Appl. No.: **29/795,349**

(22) Filed: **Jun. 17, 2021**

(51) **LOC (14) Cl.** ..... **07-04**

(52) **U.S. Cl.**  
USPC ..... **D7/678; D7/673; D7/693**

(58) **Field of Classification Search**  
USPC ..... D7/678, 672, 673, 381, 693, 695  
CPC ..... B26D 3/283; B26D 2003/285; B26D  
2003/286; B26D 2003/287; B26D  
2003/288; A47J 43/25; A47J 43/00  
See application file for complete search history.

(56) **References Cited**

**U.S. PATENT DOCUMENTS**

|                |         |                 |       |                       |
|----------------|---------|-----------------|-------|-----------------------|
| D133,534 S *   | 8/1942  | Morris          | ..... | D7/678                |
| 3,583,454 A *  | 6/1971  | Borner          | ..... | B26D 3/283<br>241/95  |
| D334,875 S *   | 4/1993  | Behnke          | ..... | D7/678                |
| D343,098 S *   | 1/1994  | Shun            | ..... | A47J 43/25<br>D7/678  |
| D442,033 S     | 5/2001  | de Saint-Genois |       |                       |
| 6,318,652 B1 * | 11/2001 | Liu             | ..... | A47J 43/25<br>241/168 |
| D494,025 S *   | 8/2004  | Wong            | ..... | D7/678                |
| D498,649 S *   | 11/2004 | Di Bitonto      | ..... | D7/678                |
| D535,160 S     | 1/2007  | Ishii           |       |                       |
| D569,200 S *   | 5/2008  | Chalfant        | ..... | D7/672                |
| D596,467 S     | 7/2009  | de Buyer        |       |                       |
| D604,124 S *   | 11/2009 | Smith           | ..... | D7/678                |
| 7,712,402 B2   | 5/2010  | Ishii           |       |                       |
| D642,875 S *   | 8/2011  | Mah             | ..... | D7/673                |
| D642,876 S *   | 8/2011  | Tetreault       | ..... | D7/678                |

|              |         |               |
|--------------|---------|---------------|
| D667,280 S   | 9/2012  | Jalet         |
| D668,918 S   | 10/2012 | Smith et al.  |
| D680,820 S   | 4/2013  | McGuyer       |
| 8,430,010 B2 | 4/2013  | Holmes et al. |
| D695,579 S   | 12/2013 | Kestenbaum    |
| 8,839,702 B2 | 9/2014  | Bagley        |

(Continued)

**FOREIGN PATENT DOCUMENTS**

EP 1056384 B1 12/2000

**OTHER PUBLICATIONS**

Amazon.com, Cuisinart CTG-00-GS Garlic Slicer and Grater, ASIN: B09HSVWLXQ, 8 pages, date first available Oct. 5, 2021 (Year: 2021).\*

(Continued)

*Primary Examiner* — Terry A Wallace

(74) *Attorney, Agent, or Firm* — Grogan, Tuccillo & Vanderleeden, LLP

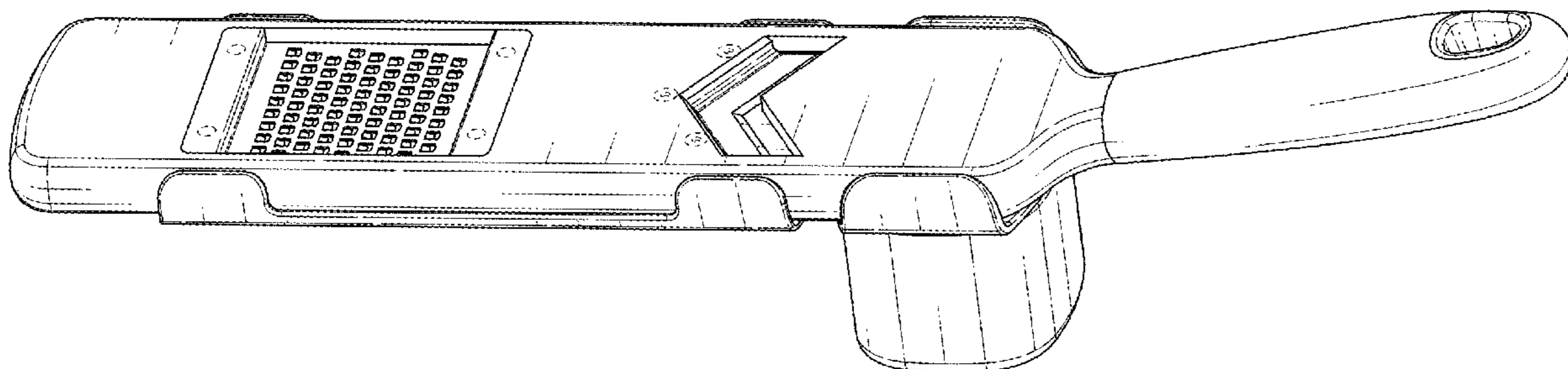
(57) **CLAIM**

The ornamental design for a slicer for garlic and ginger, as shown and described.

**DESCRIPTION**

FIG. 1 is a perspective, top view of a slicer for garlic and ginger showing a new design; FIG. 2 is a right side elevational view thereof; FIG. 3 is a left side elevational view thereof; FIG. 4 is a front elevational view thereof; FIG. 5 is rear elevational view thereof; FIG. 6 is a top plan view thereof; FIG. 7 is a bottom plan view thereof; FIG. 8 is a perspective, bottom view thereof; and, FIG. 9 is an exploded, perspective view thereof. The broken lines are for illustrative purposes only and form no part of the claimed design.

**1 Claim, 6 Drawing Sheets**



(56)

**References Cited**

U.S. PATENT DOCUMENTS

|              |     |         |                   |             |
|--------------|-----|---------|-------------------|-------------|
| D729,594     | S   | 5/2015  | Stewart           |             |
| D734,107     | S   | 7/2015  | Junker et al.     |             |
| D741,017     | S   | 10/2015 | Exley             |             |
| D751,868     | S   | 3/2016  | Schoeman          |             |
| D751,869     | S   | 3/2016  | Schoeman          |             |
| D757,503     | S   | 5/2016  | Schuler et al.    |             |
| D776,989     | S   | 1/2017  | Wong              |             |
| D812,998     | S   | 3/2018  | Huang             |             |
| D821,827     | S   | 7/2018  | O'Halloran et al. |             |
| D822,445     | S   | 7/2018  | O'Halloran et al. |             |
| D826,655     | S   | 8/2018  | Chen              |             |
| 2006/0075870 | A1  | 4/2006  | Wangler et al.    |             |
| 2008/0257128 | A1  | 10/2008 | Reimann et al.    |             |
| 2016/0354943 | A1* | 12/2016 | Wong .....        | B26D 7/2628 |
| 2017/0252937 | A1  | 9/2017  | Ozturk            |             |

OTHER PUBLICATIONS

Amazon.com, Joseph Joseph Handi-Grate 2-in-1 Grater and Slicer, Orange, ASIN: B01BNHF954, 12 pages, date first available Mar. 1, 2016 (Year: 2016).\*

\* cited by examiner

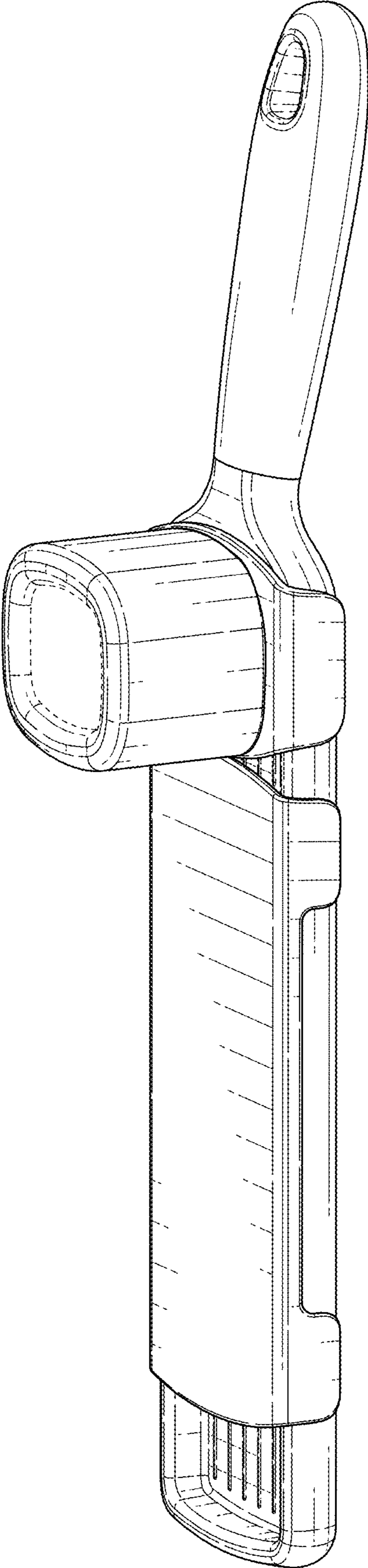


FIG. 1

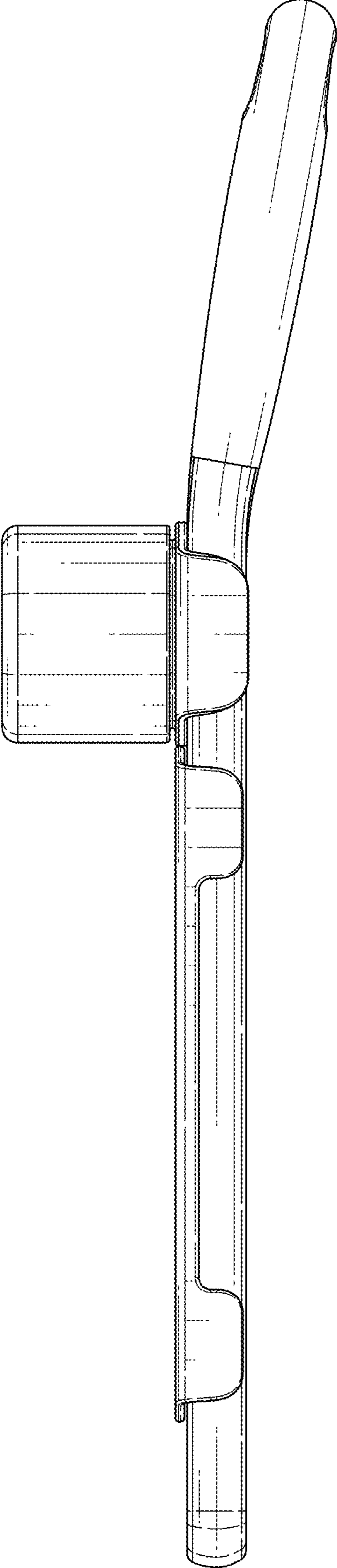


FIG. 2

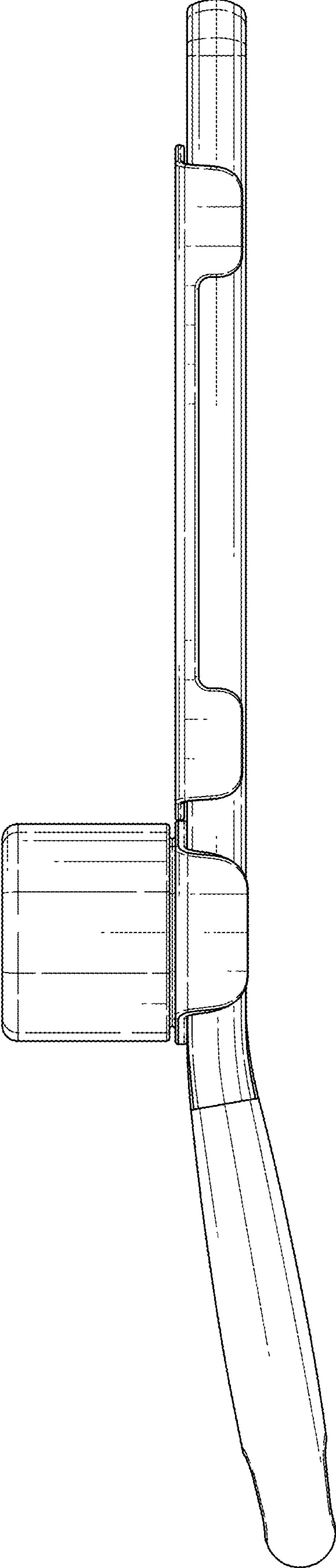


FIG. 3

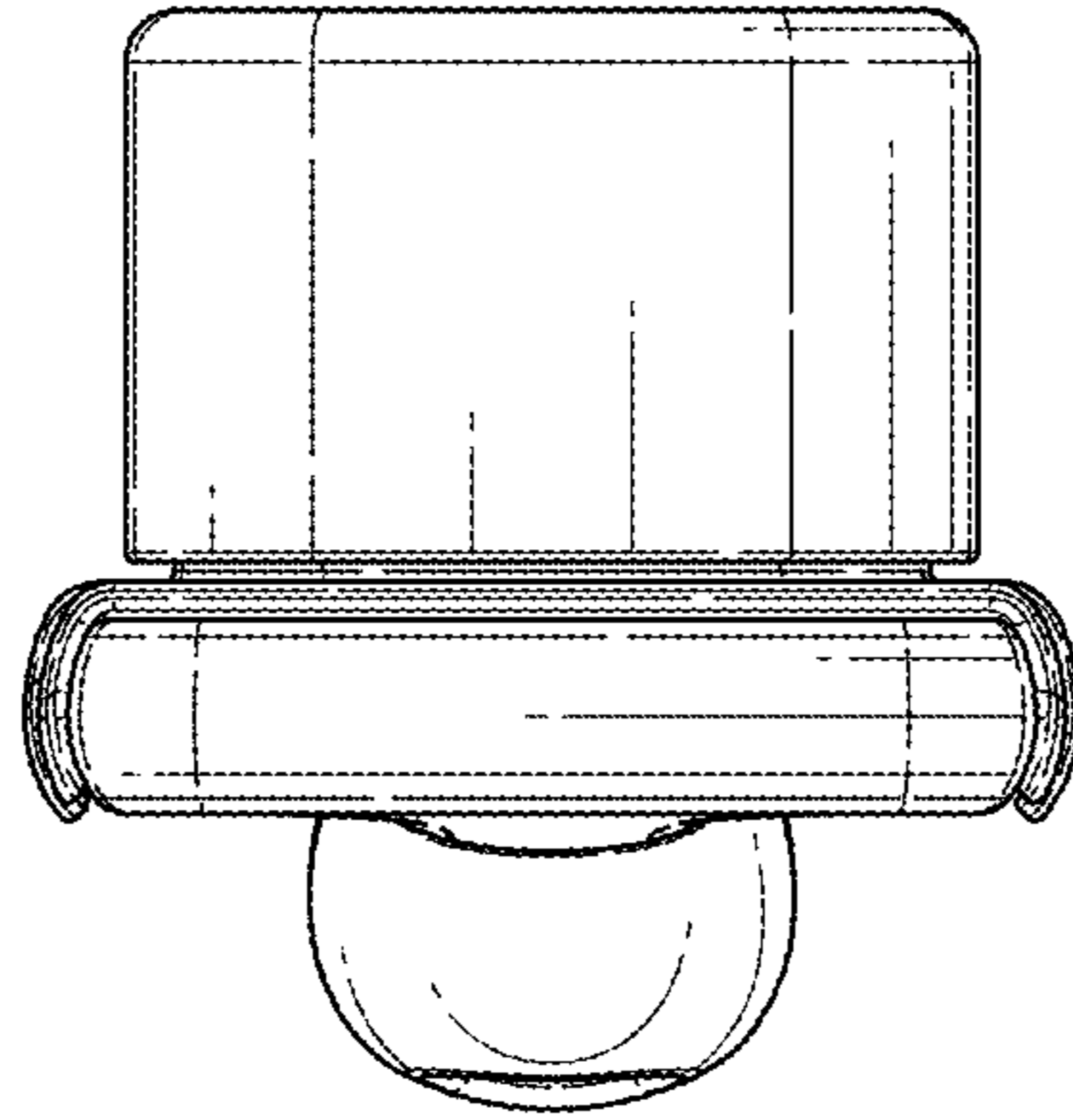


FIG. 4

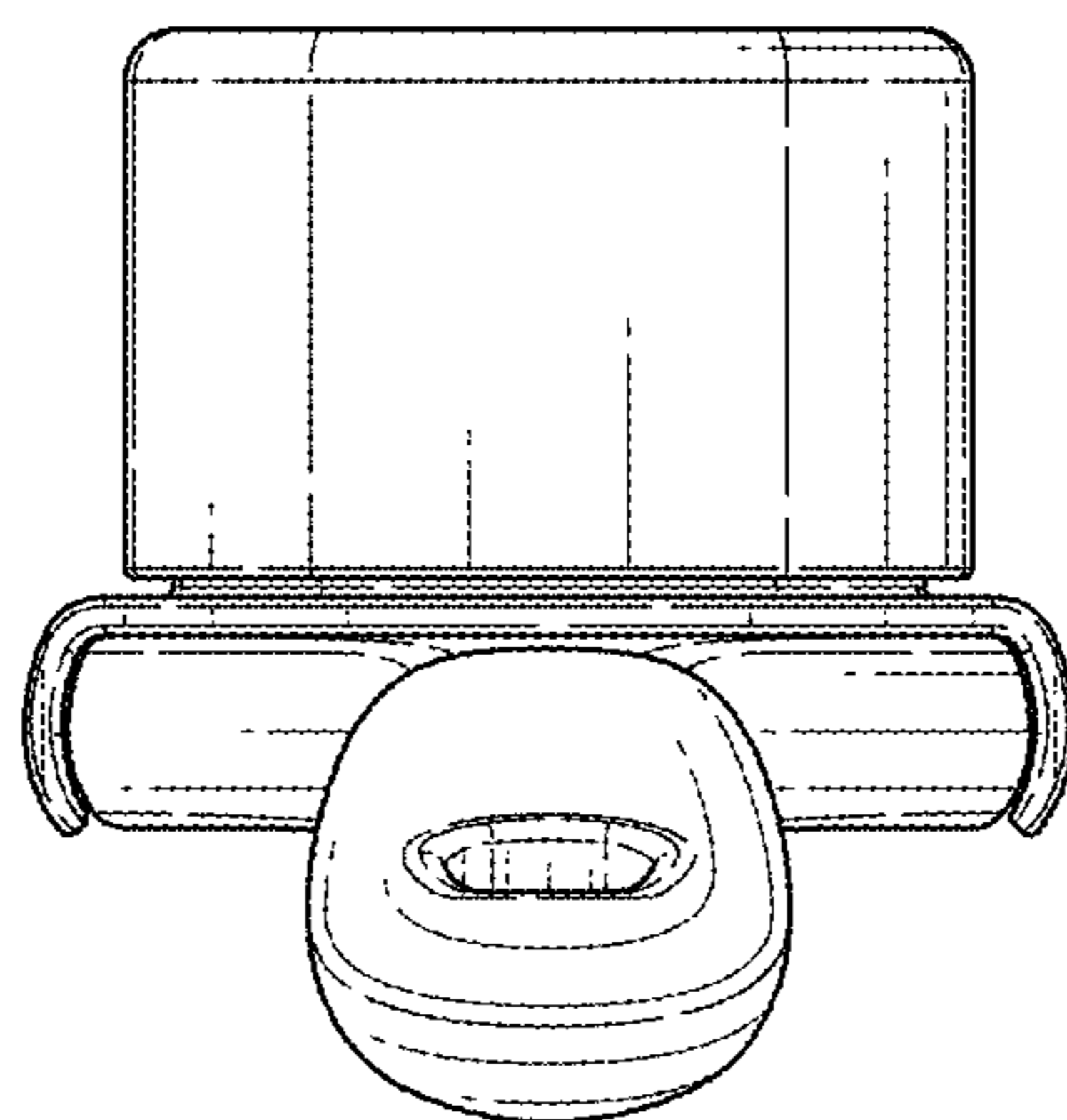


FIG. 5



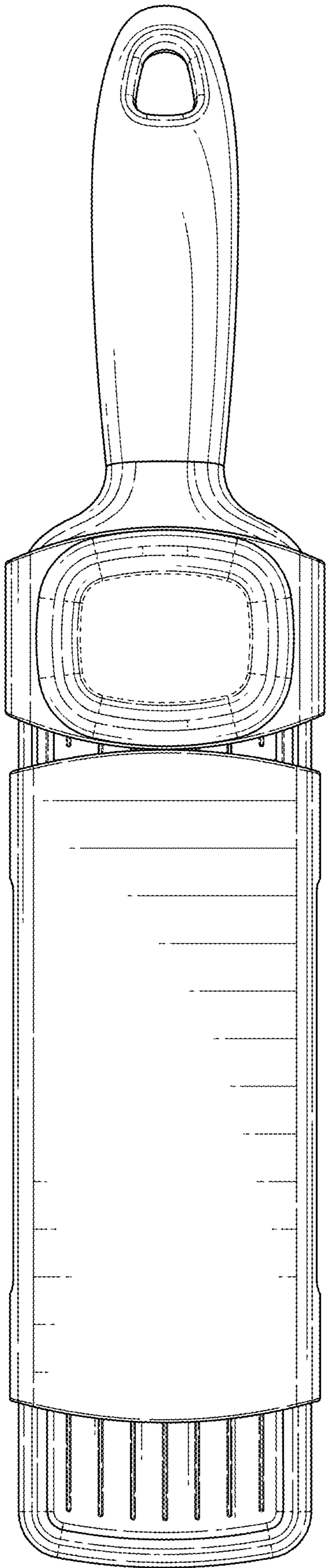


FIG. 6

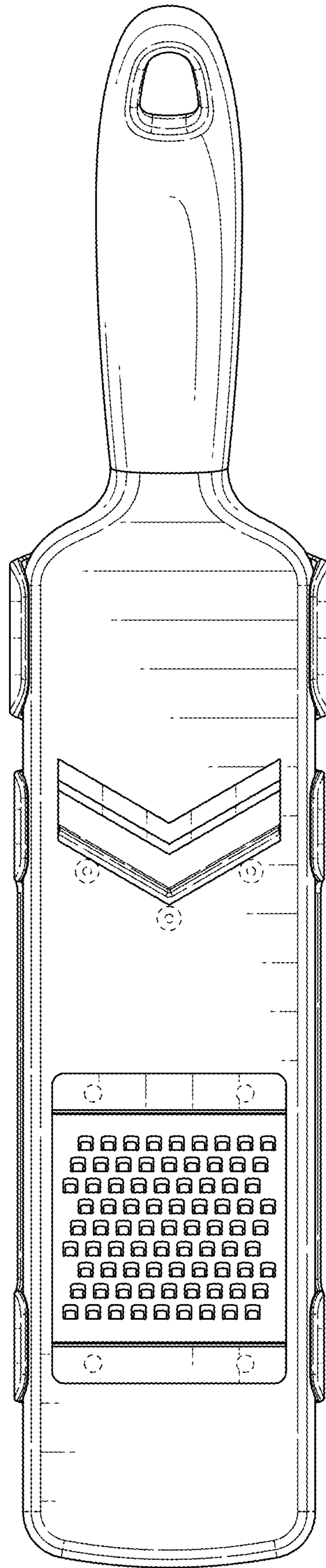


FIG. 7

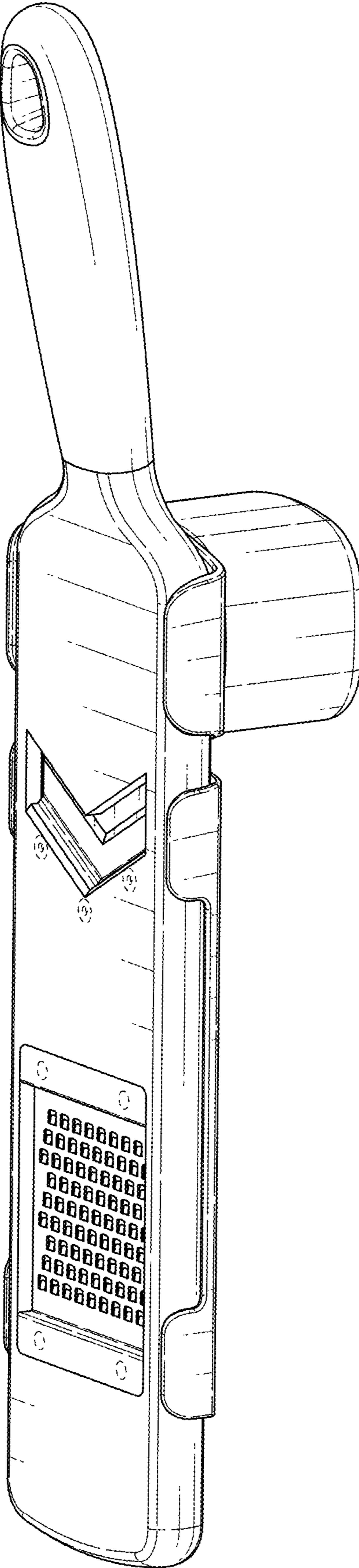


FIG. 8

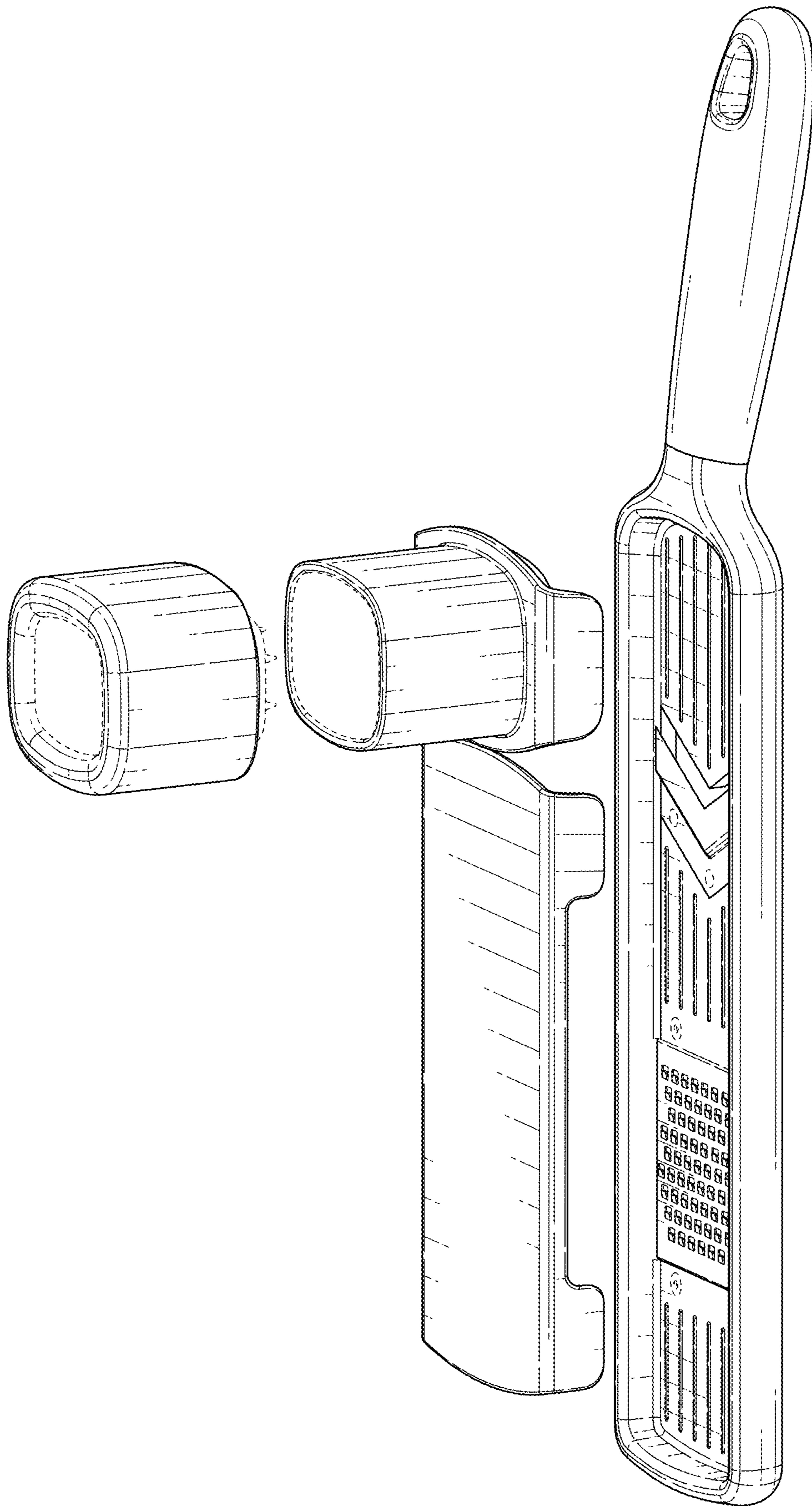


FIG. 9