



US00D978626S

(12) **United States Design Patent**
Wesenhagen

(10) **Patent No.:** **US D978,626 S**

(45) **Date of Patent:** **** Feb. 21, 2023**

(54) **CAKE SHIELD**

(71) Applicant: **Humphrey Wesenhagen**, Oro Valley,
AZ (US)

(72) Inventor: **Humphrey Wesenhagen**, Oro Valley,
AZ (US)

(**) Term: **15 Years**

(21) Appl. No.: **29/769,177**

(22) Filed: **Feb. 4, 2021**

(51) **LOC (14) Cl.** **07-07**

(52) **U.S. Cl.**
USPC **D7/610**

(58) **Field of Classification Search**
USPC D7/294, 319, 368, 388, 392.1, 420,
D7/548-549, 555, 601-603, 605,
D7/610-611, 629-630, 637, 708.1, 709;
D9/414-416, 423-425, 427, 430-432,
D9/759-761; D3/309
CPC A47G 19/26; A47G 2200/08; A47G 19/00
See application file for complete search history.

(56) **References Cited**

U.S. PATENT DOCUMENTS

- D207,496 S * 4/1967 Swett D7/610
- D254,775 S * 4/1980 Falk D3/294
- 4,884,966 A * 12/1989 Wexler A47G 19/26
D7/610
- 4,938,688 A * 7/1990 Wexler A47G 19/26
D7/392.1
- D320,340 S * 10/1991 Rademacher D9/760
- D403,441 S * 12/1998 Lane D26/10
- D446,083 S * 8/2001 Marsh D7/610
- D523,704 S * 6/2006 DiBiasi D7/610
- D625,565 S * 10/2010 Alford D7/610
- D627,190 S * 11/2010 Fain D7/368
- 8,668,088 B2 * 3/2014 Donnelly F21V 35/00
431/295
- D708,911 S * 7/2014 Rodriguez D7/667

- D713,694 S * 9/2014 Fitzpatrick D7/610
- D733,502 S * 7/2015 Hill D7/610
- D737,106 S * 8/2015 Goodman D7/610

(Continued)

FOREIGN PATENT DOCUMENTS

- CN 306982910 * 12/2021
- KR 300505880.0000 * 9/2008

OTHER PUBLICATIONS

Cake Guard Cake Cover, brand unlisted, amazon.com, author unlisted, first available on Sep. 10, 2020 © 1996-2022 Amazon.com, Inc., online, site visited Jun. 14, 2022. Available at URL: <https://www.amazon.com/Generic-CakeGuard-cake-cover/dp/B08D6ZQ14W> (Year: 2020).*

(Continued)

Primary Examiner — Holly E Thurman
Assistant Examiner — Altaira J Swangin

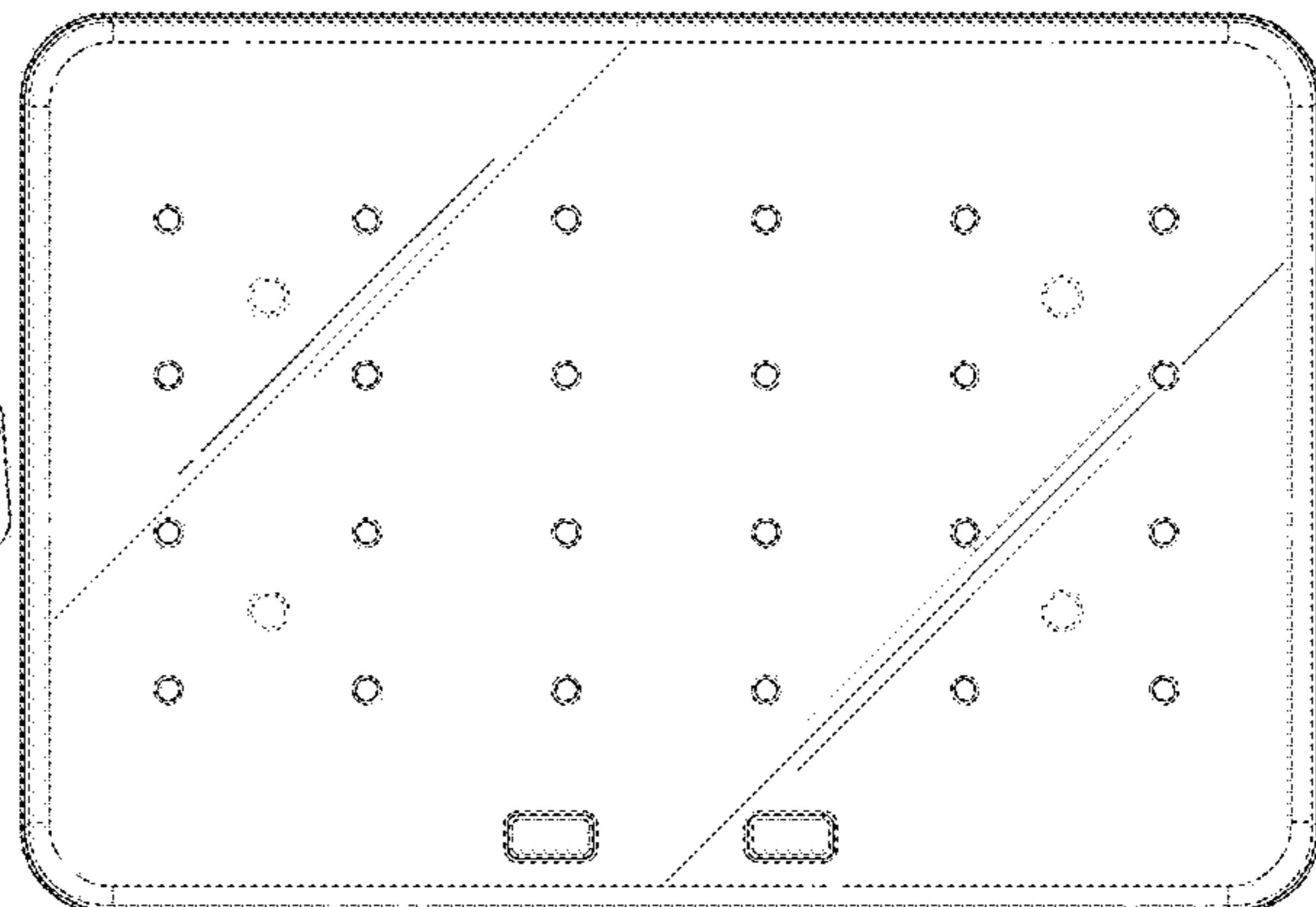
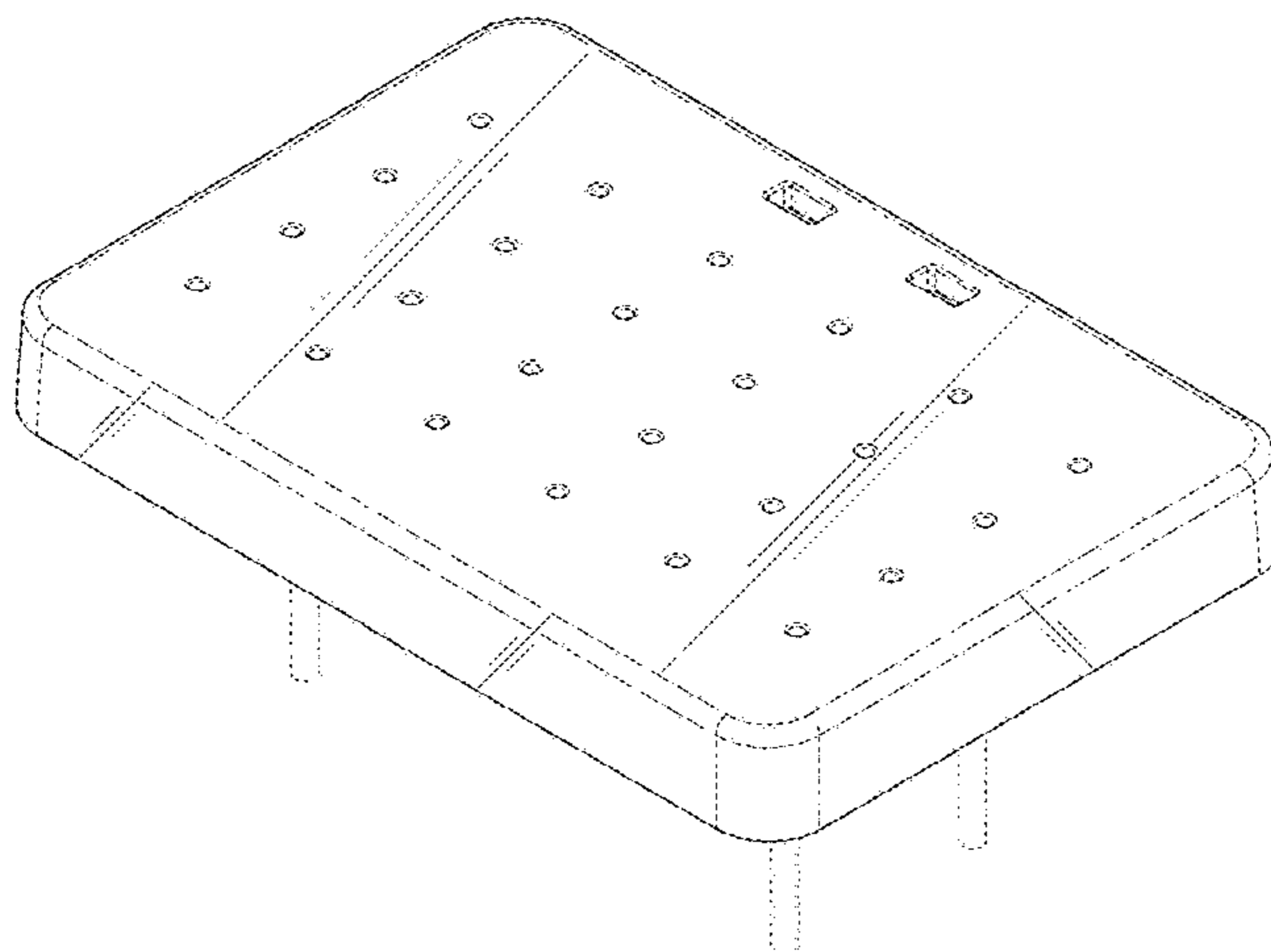
(57) **CLAIM**

The ornamental design for a cake shield, as shown and described.

DESCRIPTION

FIG. 1 is a front perspective view of a cake shield, showing my new design;
FIG. 2 is a front view thereof;
FIG. 3 is a rear view thereof;
FIG. 4 is a left side view thereof;
FIG. 5 is a right side view thereof;
FIG. 6 is a top view thereof;
FIG. 7 is a bottom view thereof; and,
FIG. 8 is a perspective view of the cake shield of FIG. 1, shown in use over a cake.
The broken lines in the drawings, showing the environment of a cake and candles in FIG. 8, form no part of the claimed design.

1 Claim, 8 Drawing Sheets



(56)

References Cited

U.S. PATENT DOCUMENTS

9,565,956 B1 * 2/2017 Mitchell A47G 19/00
D891,778 S * 8/2020 Stevens D3/304
D931,058 S * 9/2021 Hamilton D7/554.3
11,213,148 B1 * 1/2022 Payne A47J 47/10
D942,755 S * 2/2022 Hsu D3/304
2007/0048680 A1 * 3/2007 Cartledge A47G 19/26
431/126
2008/0268392 A1 * 10/2008 Bern A47G 19/00
431/295
2014/0224798 A1 * 8/2014 Johnson A47G 19/00
220/212
2020/0345164 A1 * 11/2020 Loar, Sr. F21V 35/00
2021/0219757 A1 * 7/2021 Griffin, Jr. F21V 35/00
2021/0369024 A1 * 12/2021 Kay A47G 19/26

OTHER PUBLICATIONS

Gazuntite Pastel Shield, Stephen Gould, amazon.com, published by Stephen Gould, fist available on Jun. 16, 2020 © 1996-2022 Amazon.com, online, site visited Jun. 13, 2022. Available at URL: <https://www.amazon.com/Gazuntite-Cake-Shield/dp/B08B8YCGQS> (Year: 2020).*

* cited by examiner

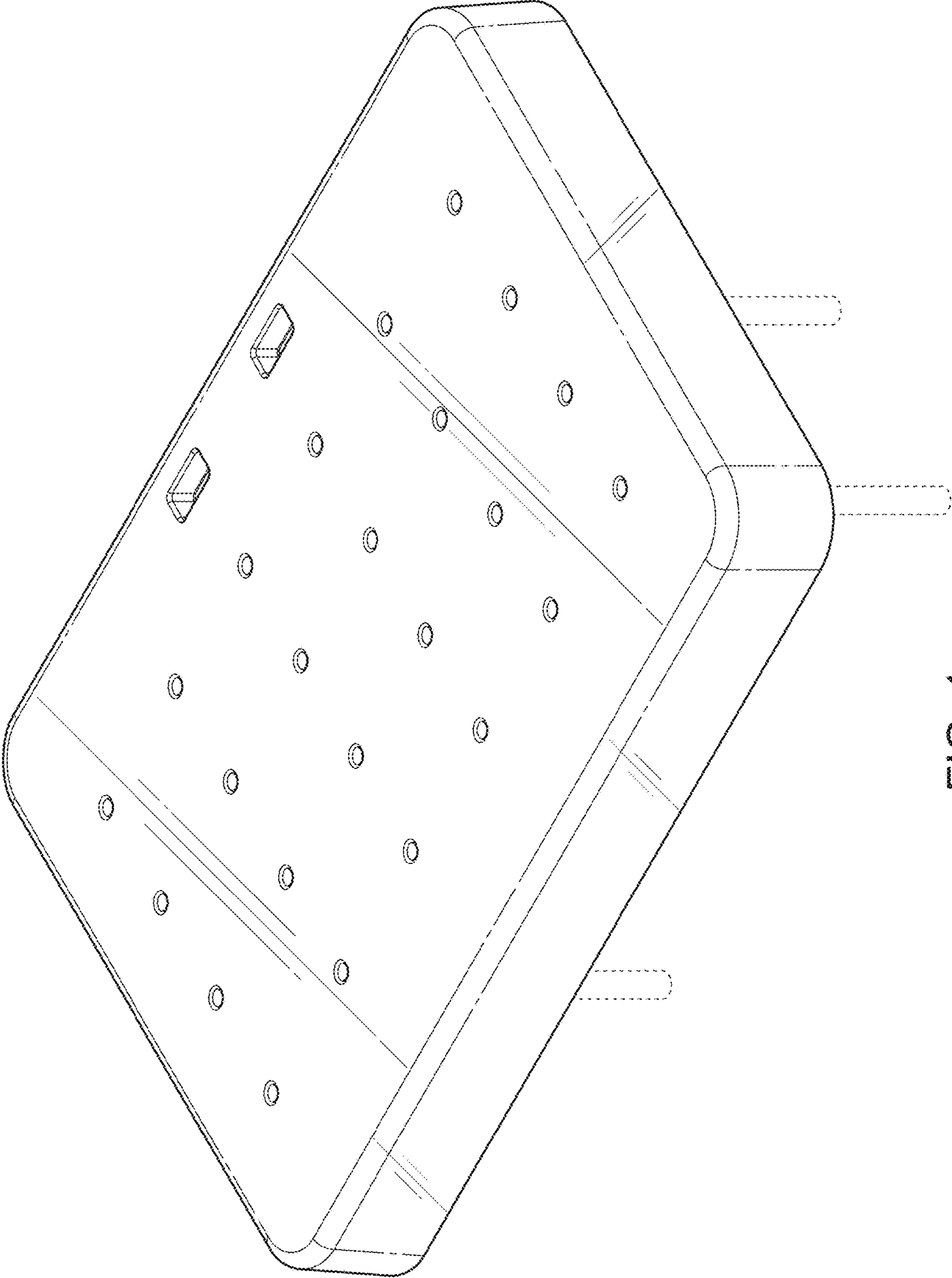


FIG. 1

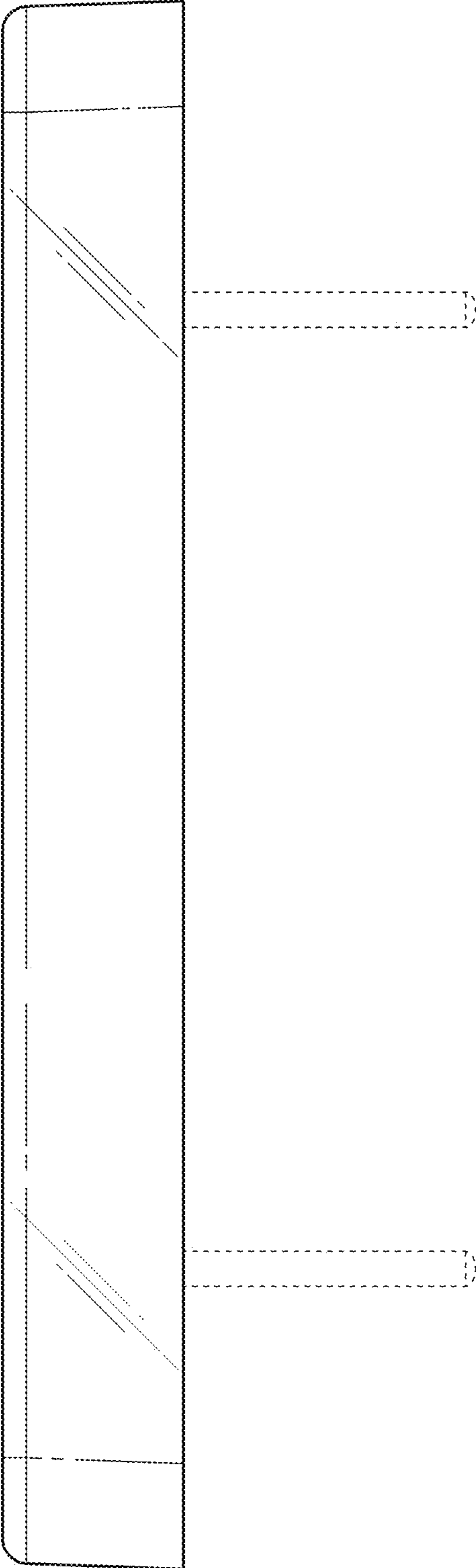


FIG. 2

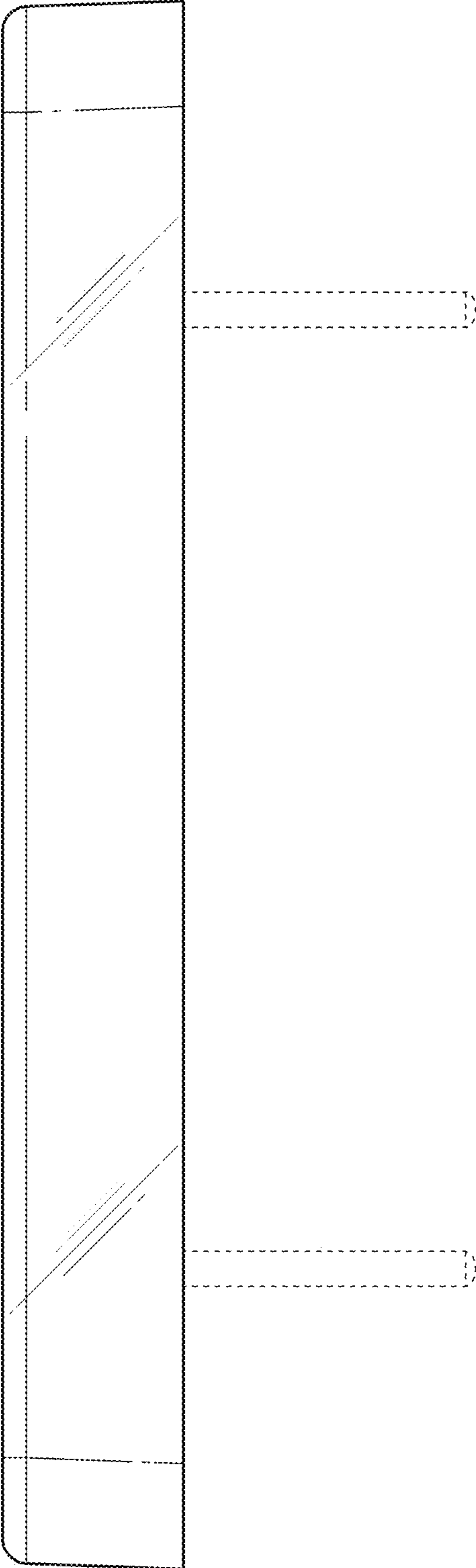


FIG. 3

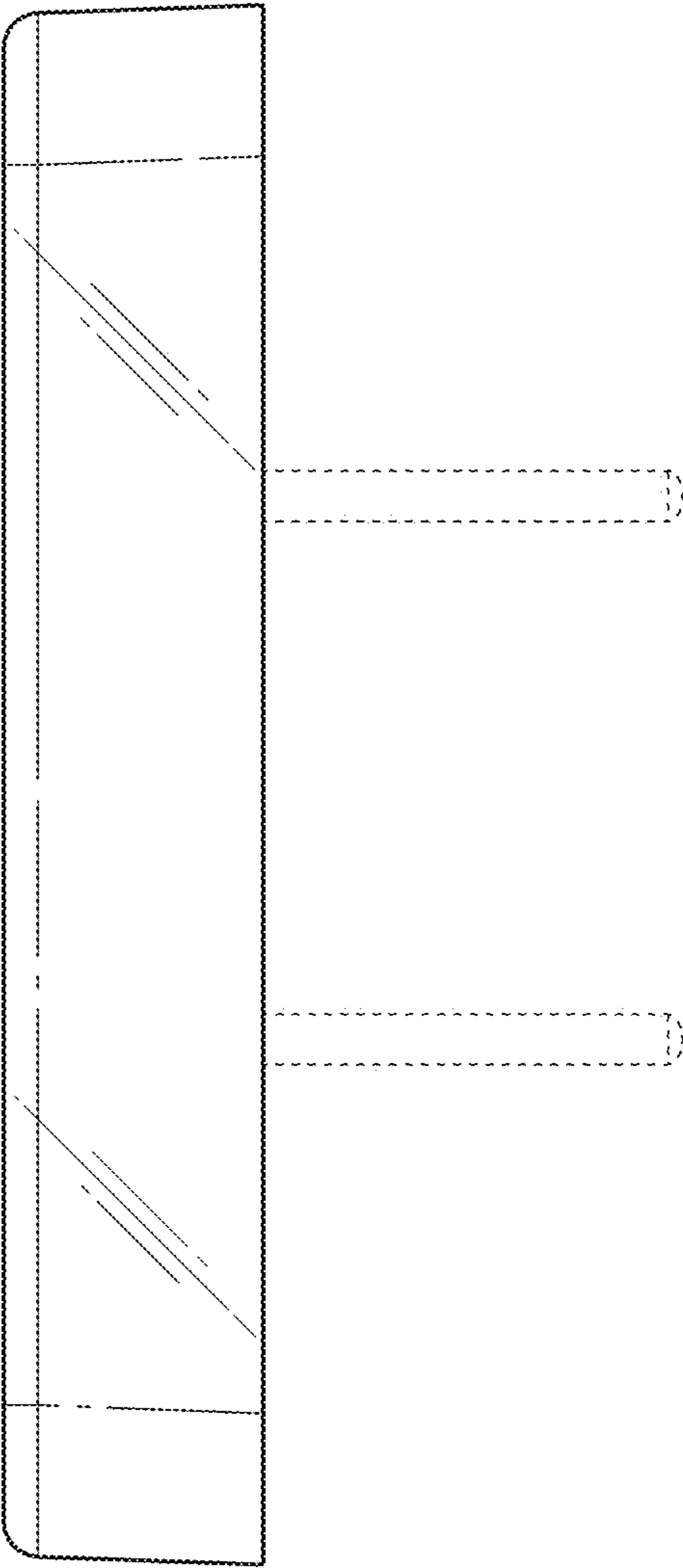


FIG. 4

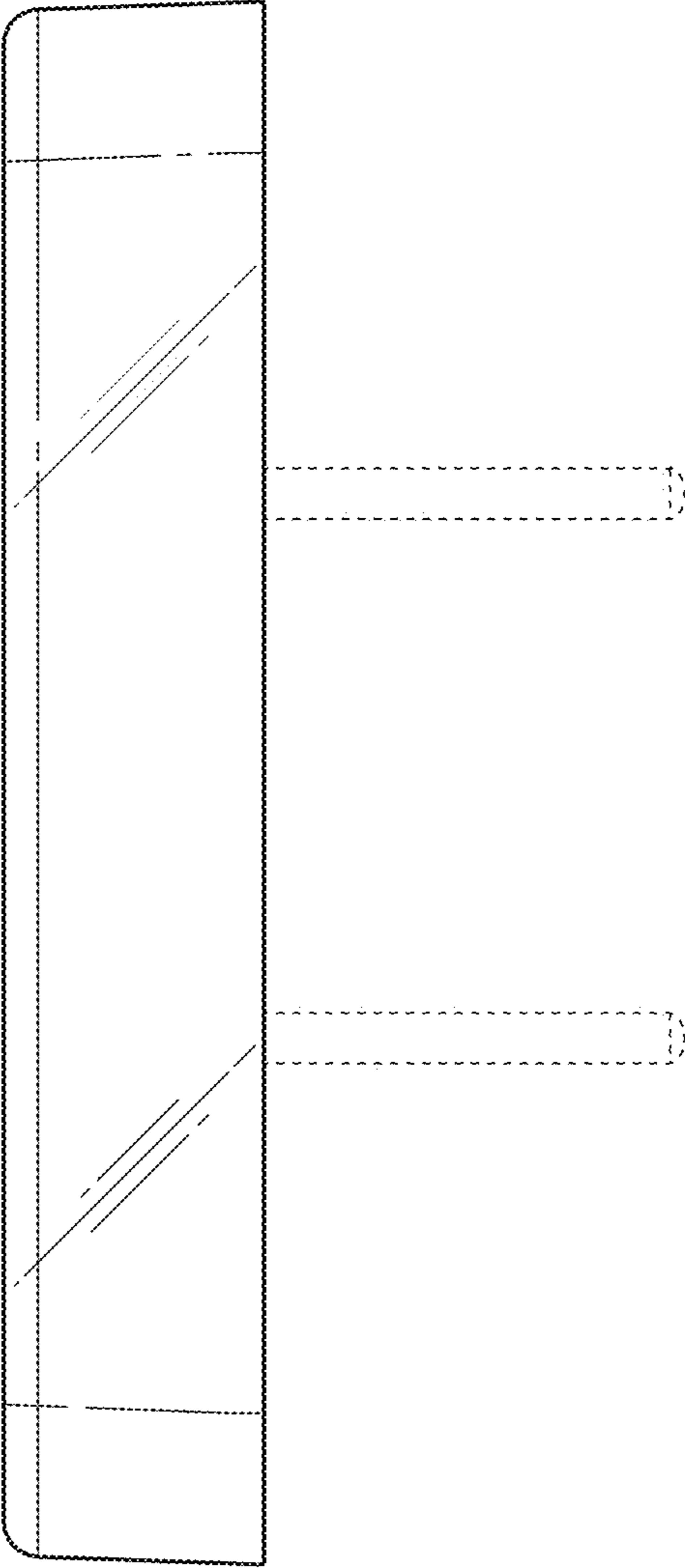


FIG. 5

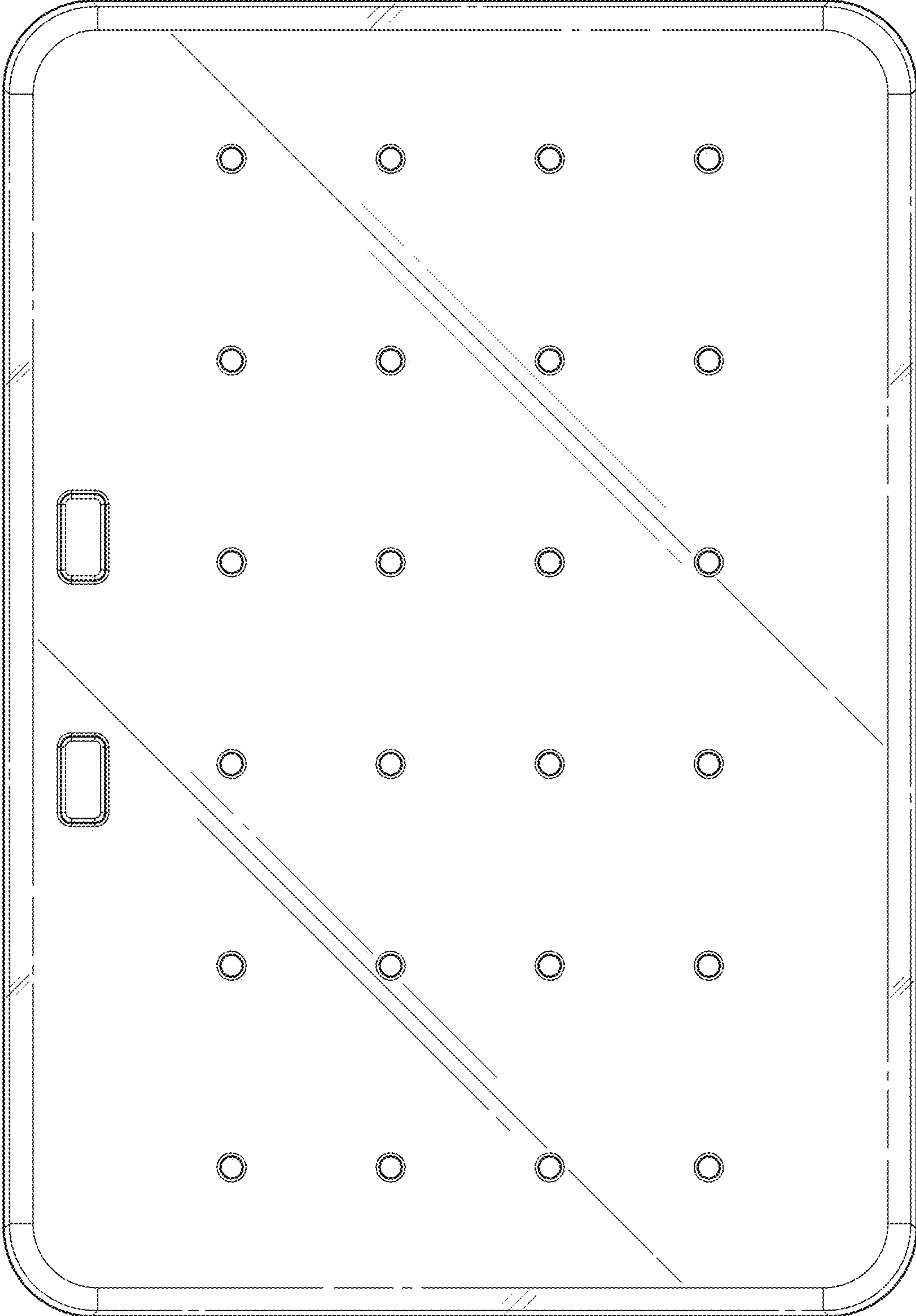


FIG. 6

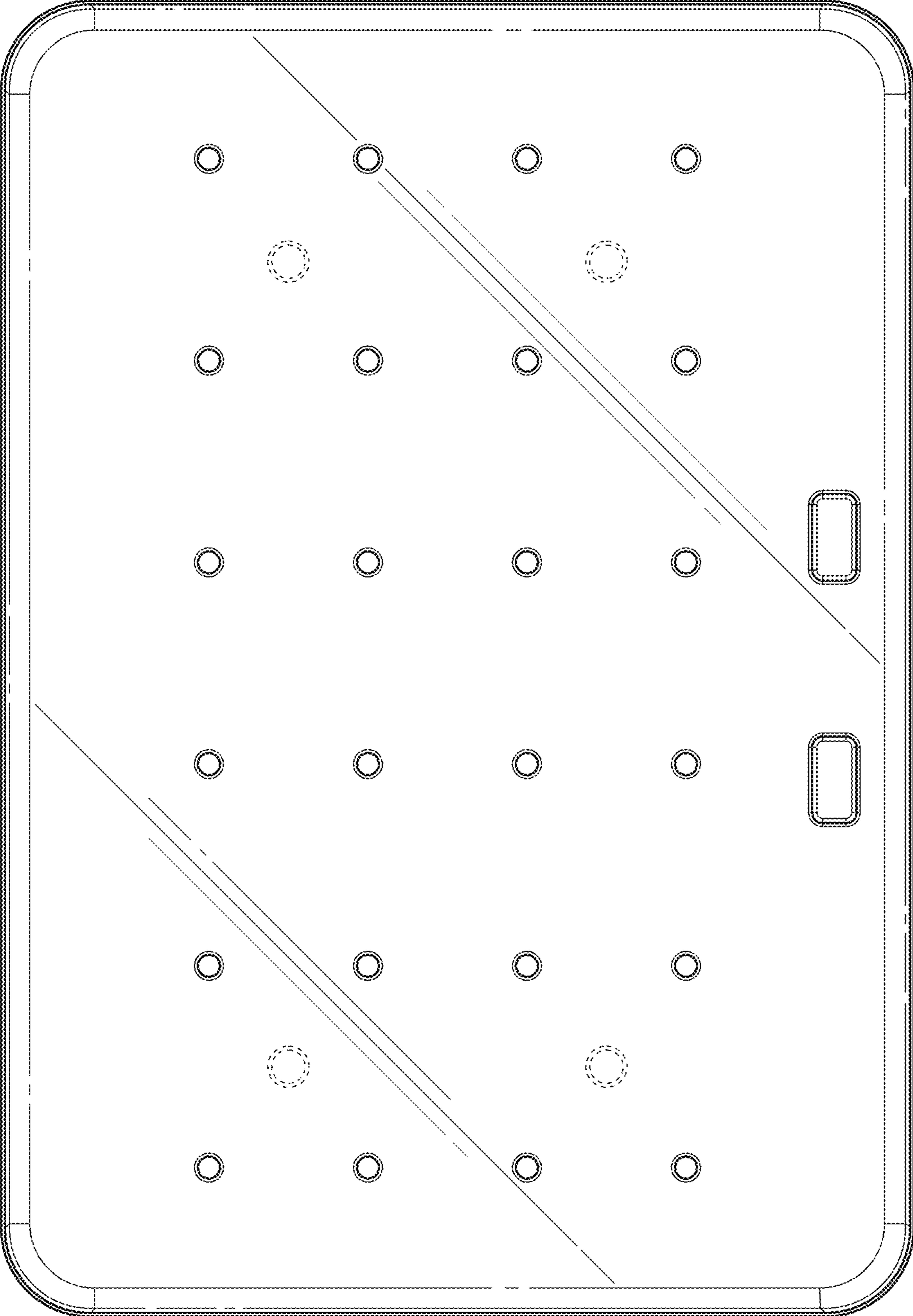


FIG. 7

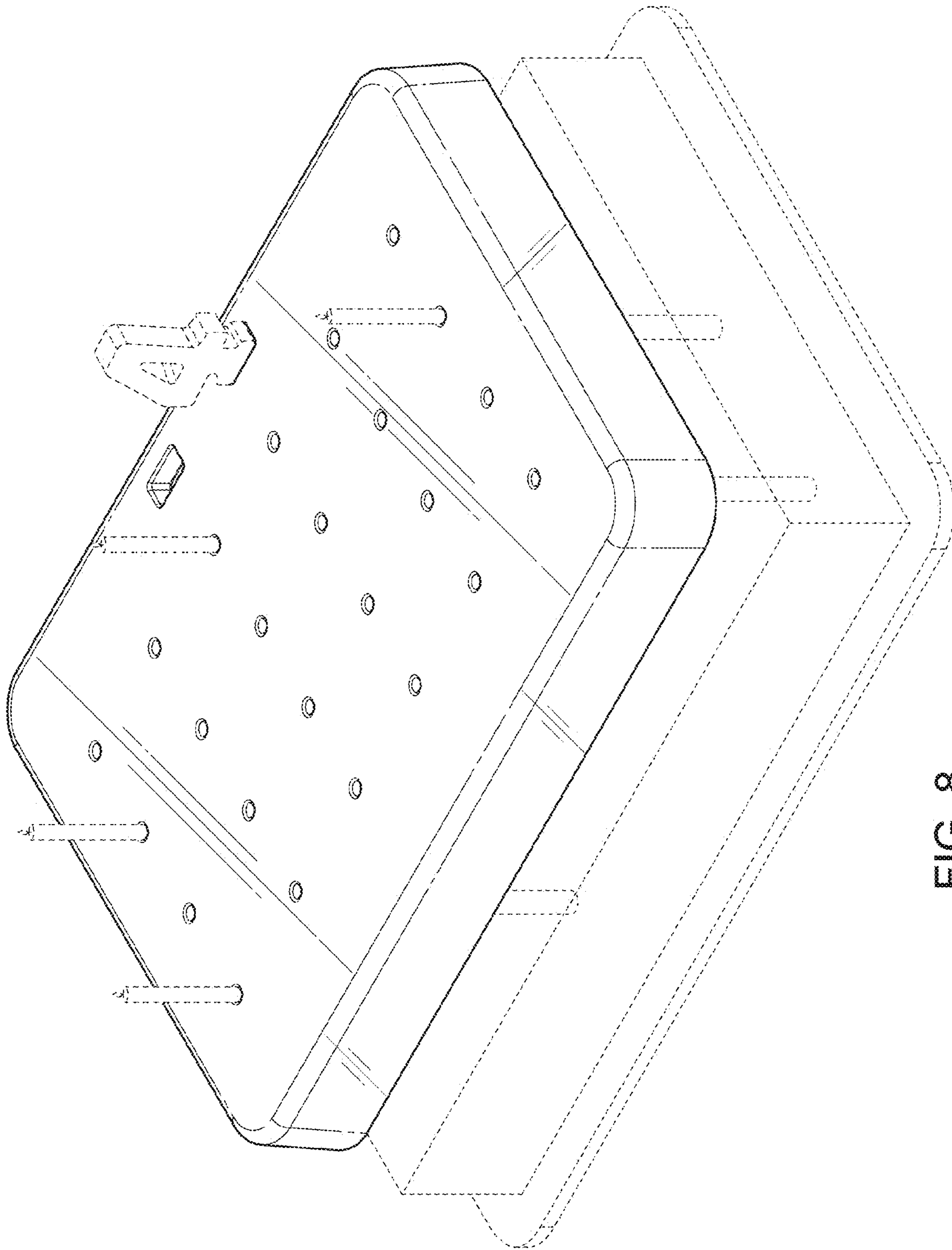


FIG. 8