



US00D978625S

(12) **United States Design Patent** (10) **Patent No.:** **US D978,625 S**
Liu (45) **Date of Patent:** **** Feb. 21, 2023**

(54) **LUNCH BAG**

- (71) Applicant: **Bin Liu**, Guangdong (CN)
- (72) Inventor: **Bin Liu**, Guangdong (CN)
- (73) Assignee: **Shenzhen Le Tui Electronic Co., Ltd**,
Shenzhen (CN)

(**) Term: **15 Years**

(21) Appl. No.: **29/704,315**

(22) Filed: **Sep. 4, 2019**

(51) **LOC (14) Cl.** **07-10**

(52) **U.S. Cl.**
USPC **D7/607**

(58) **Field of Classification Search**

USPC D7/601, 602, 605, 607, 701, 703, 705,
D7/706, 709, 629; D3/201, 232, 233,
D3/245, 246, 273, 276, 301

CPC A45C 1/00; A45C 11/20; A45C 2003/007;
A45C 2003/008; A45C 7/0059; F25D
2331/80; F25D 2331/804; B65D 30/08

See application file for complete search history.

(56) **References Cited**

U.S. PATENT DOCUMENTS

D447,632	S *	9/2001	Gisser	D3/276
9,408,445	B2 *	8/2016	Mogil	A45C 11/20
D874,815	S *	2/2020	Wells	D3/203.1
D883,753	S *	5/2020	Zheng	D7/607
D911,792	S *	3/2021	Candela	D7/709
D919,289	S *	5/2021	Pos	D3/242
D923,423	S *	6/2021	Rong	D7/607
2016/0100661	A1 *	4/2016	Redzisz	A45C 13/02 280/47.17
2016/0338462	A1 *	11/2016	Hayashi	A45C 3/06
2018/0317620	A1 *	11/2018	Larson	A44B 19/32

OTHER PUBLICATIONS

Lokass Lunch Bag | posted at Amazon.com, posted on Oct. 10, 2018
© 1996-2021 Amazon.com, [online], [site visited Sep. 25, 2021].
Available from Internet, <URL:https://www.amazon.com/LOKASS-
Insulated-Wide-Open-Durable-Organizer/dp/B07JVH4CQ2/> (Year:
2018).*

Lokass Lunch Bag | posted at Amazon.com, posted on Oct. 10, 2018
© 1996-2022 Amazon.com, [online], [site visited Jun. 27, 2022].
Available from Internet, <URL: https://www.amazon.com/LOKASS-
Insulated-Wide-Open-Durable-Organizer/dp/B07JVH4CQ2/ref> (Year:
2018).*

* cited by examiner

Primary Examiner — Andrew Kerr

(57) **CLAIM**

The ornamental design for a lunch bag, as shown and described.

DESCRIPTION

FIG. 1 is a perspective view of a lunch bag showing my new design;

FIG. 2 is a front elevational view thereof;

FIG. 3 is a rear elevational view thereof;

FIG. 4 is a left side elevational view thereof;

FIG. 5 is a right side elevational view thereof;

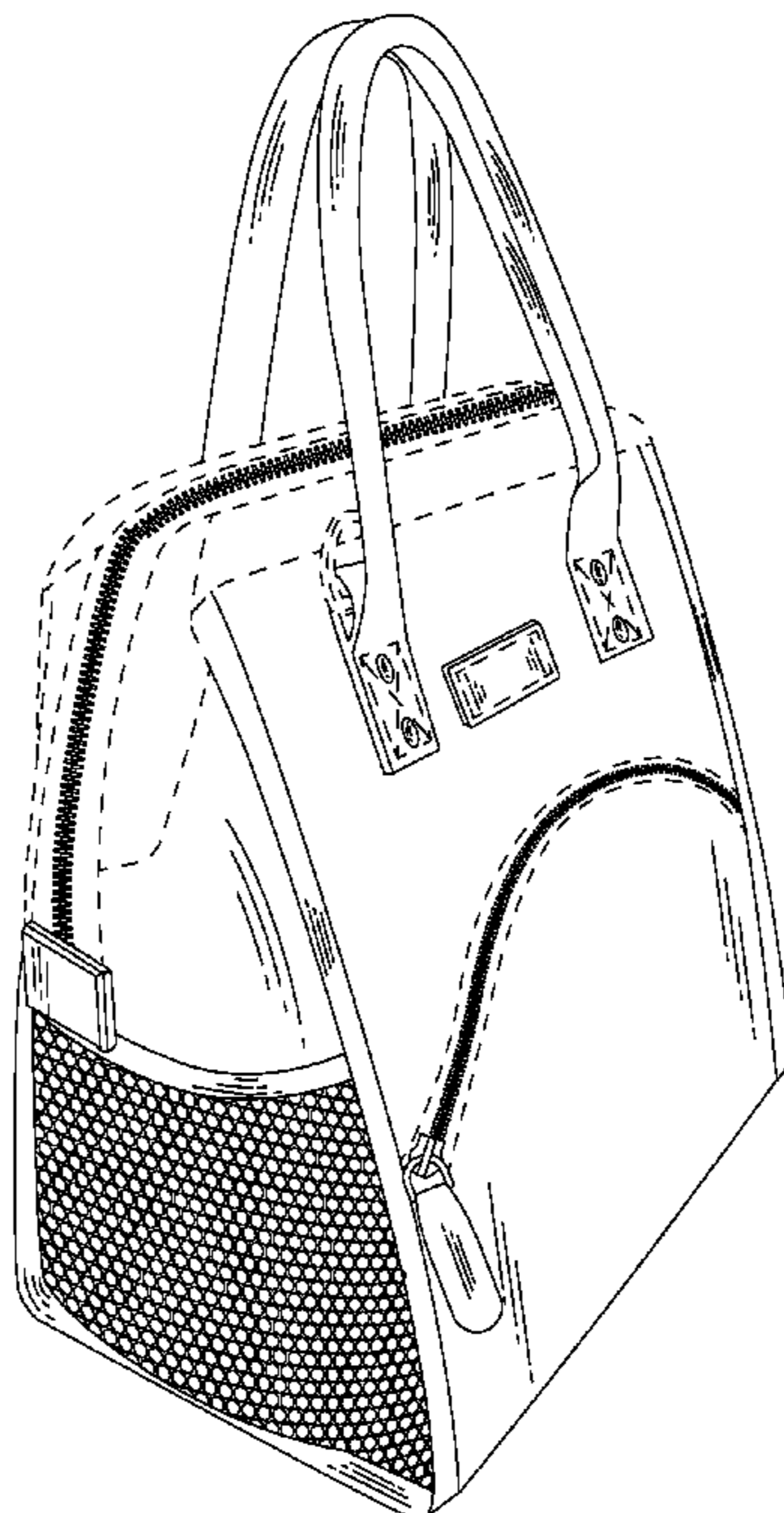
FIG. 6 is a top plan view thereof; and,

FIG. 7 is a bottom plan view thereof.

The broken lines throughout the drawings depict portions of the lunch bag that form no part of the claimed design.

The broken lines throughout FIGS. 1-3 and 6 represent stitching, which are part of the claimed design.

1 Claim, 7 Drawing Sheets



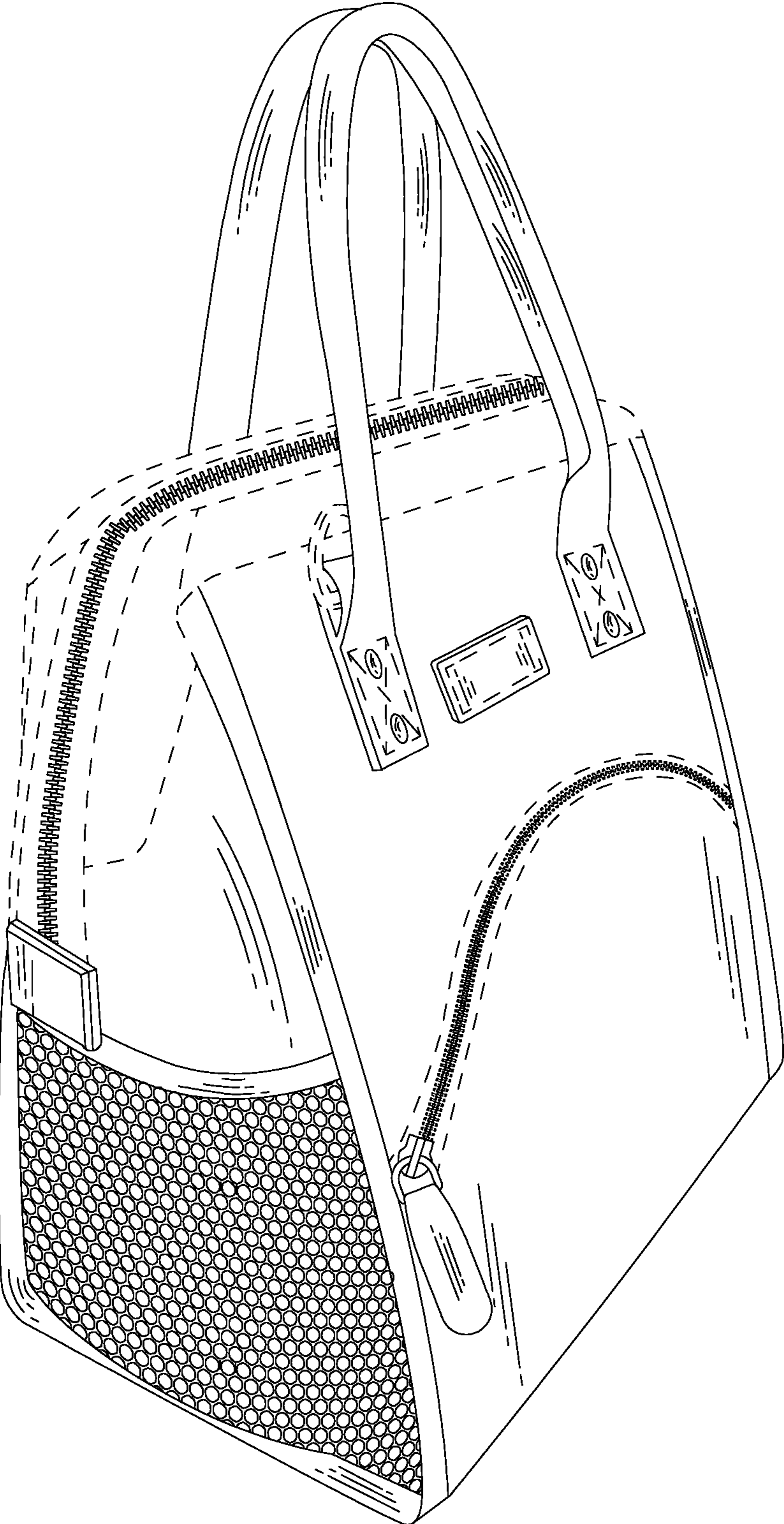


FIG.1

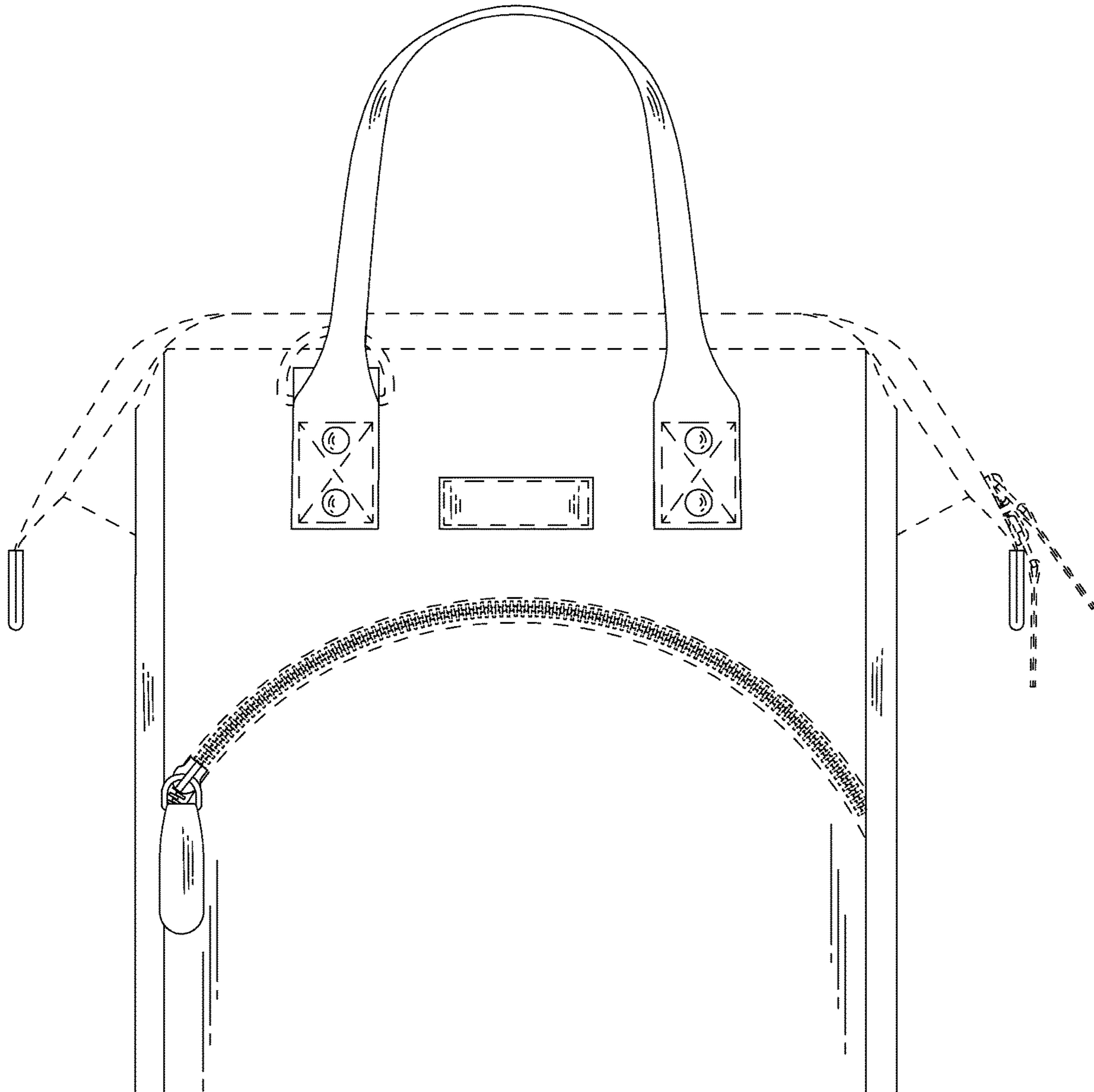


FIG.2

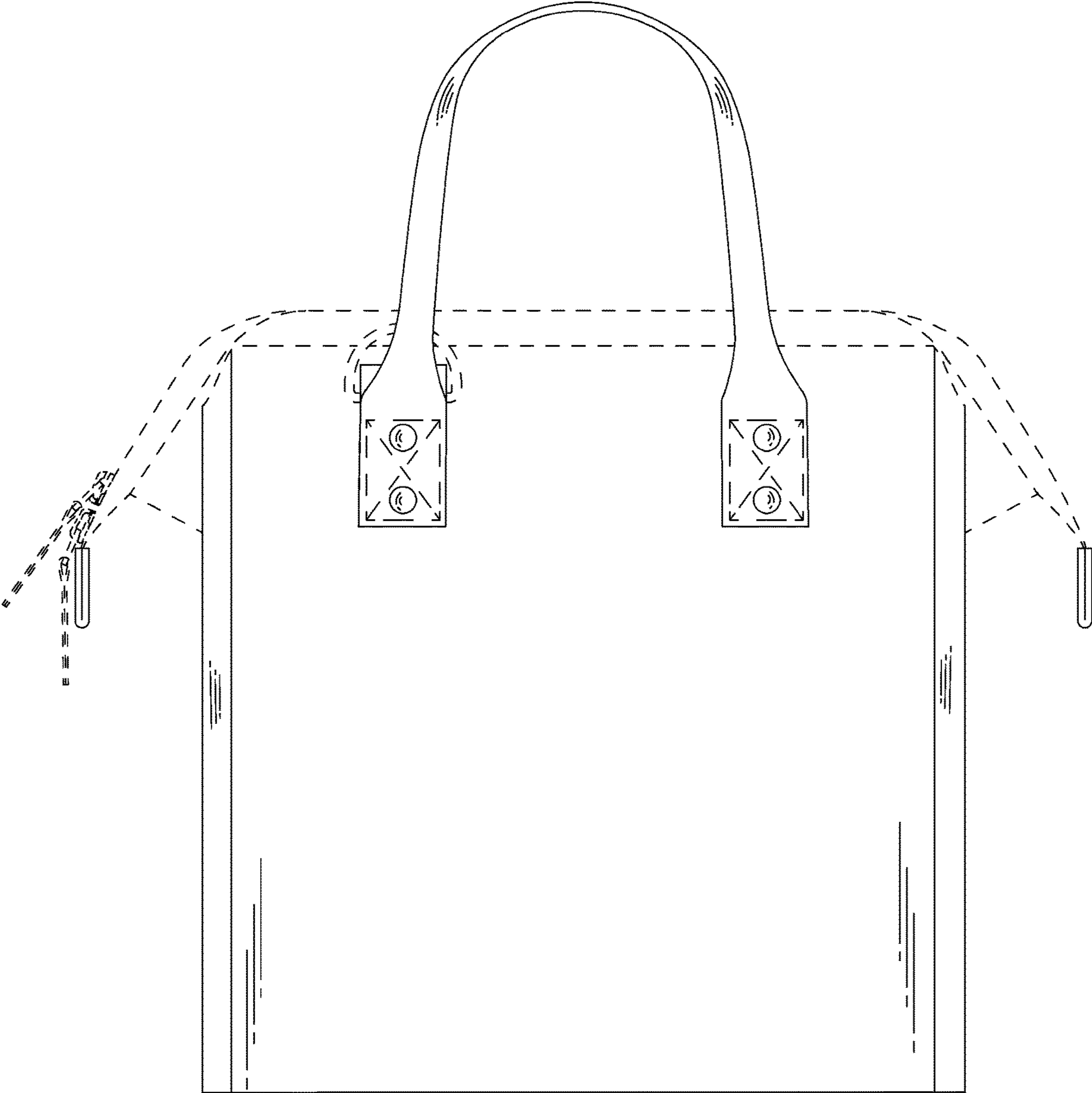


FIG.3

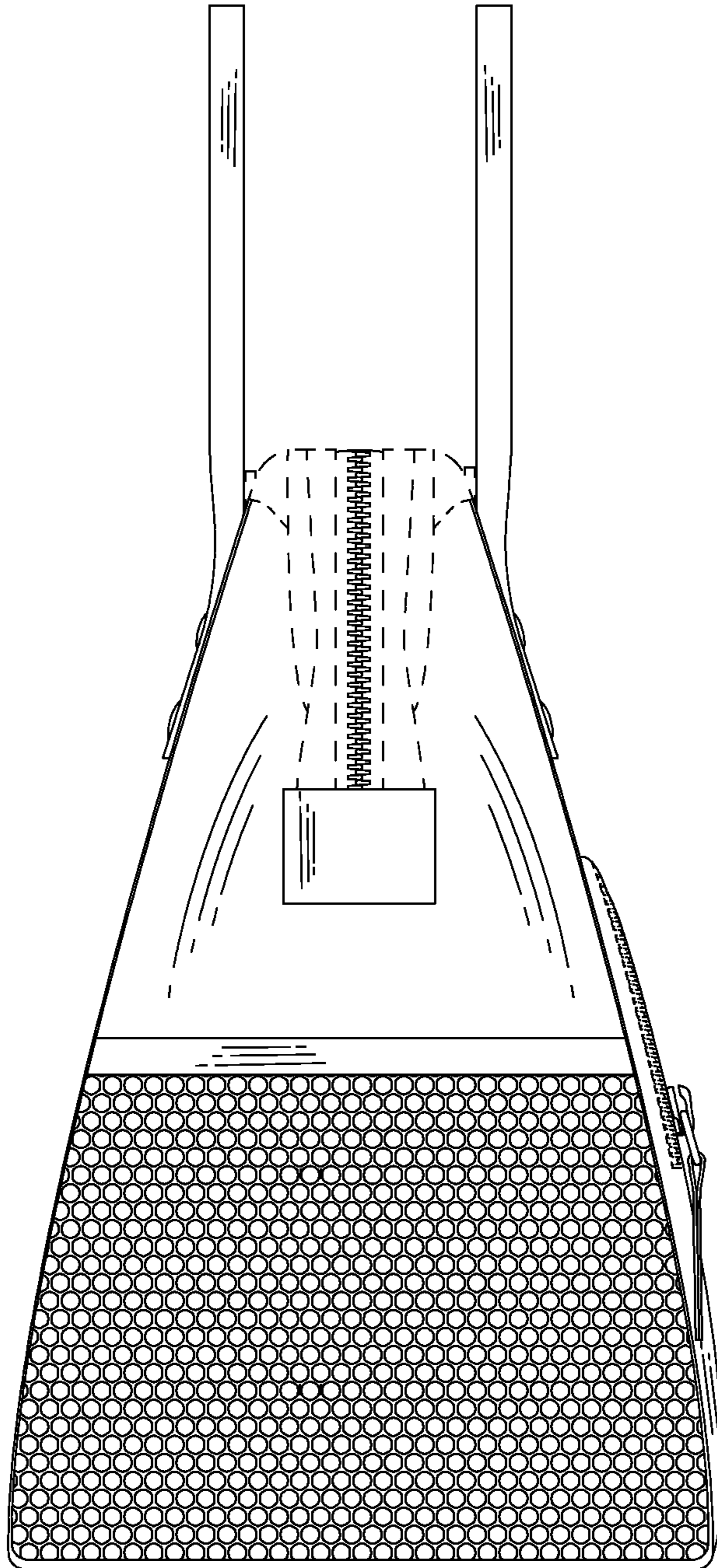


FIG.4

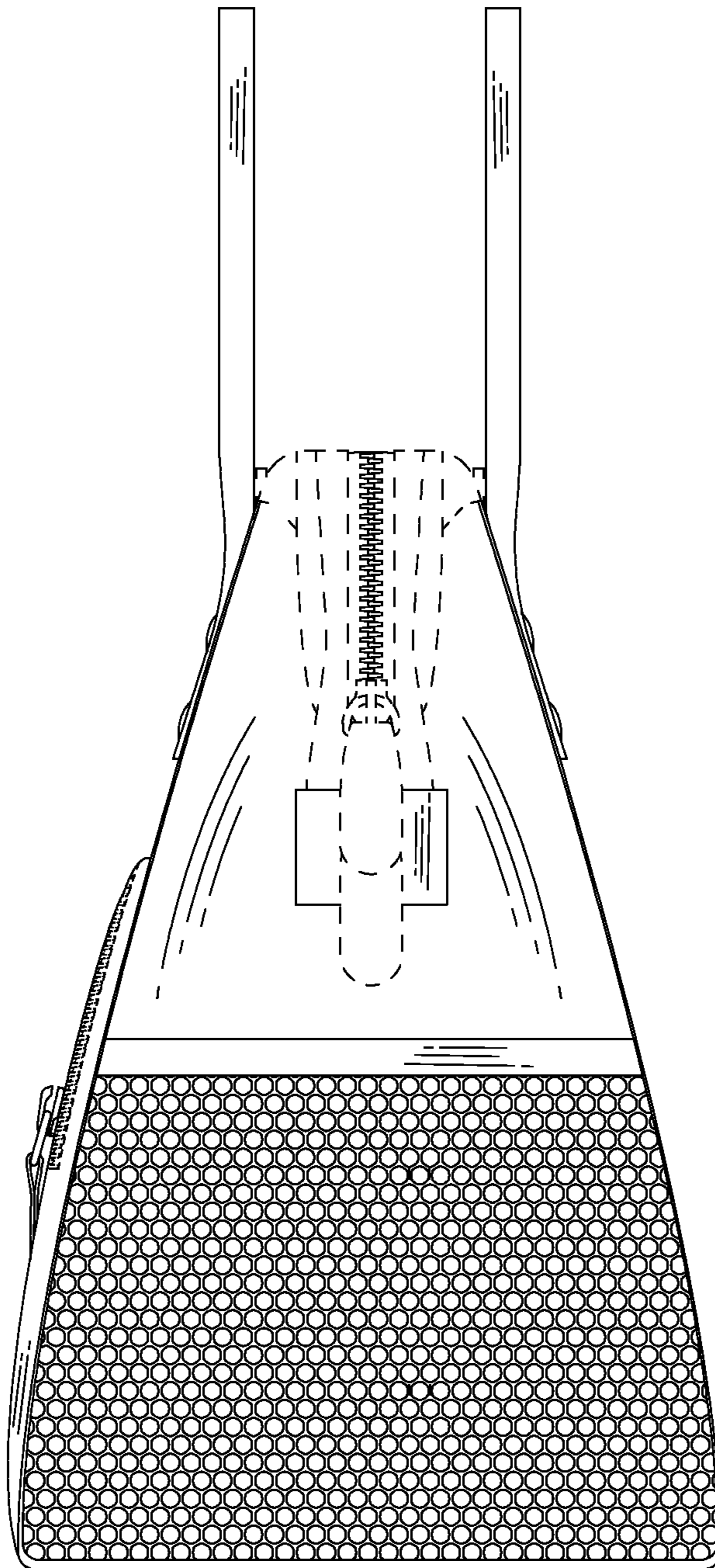


FIG.5

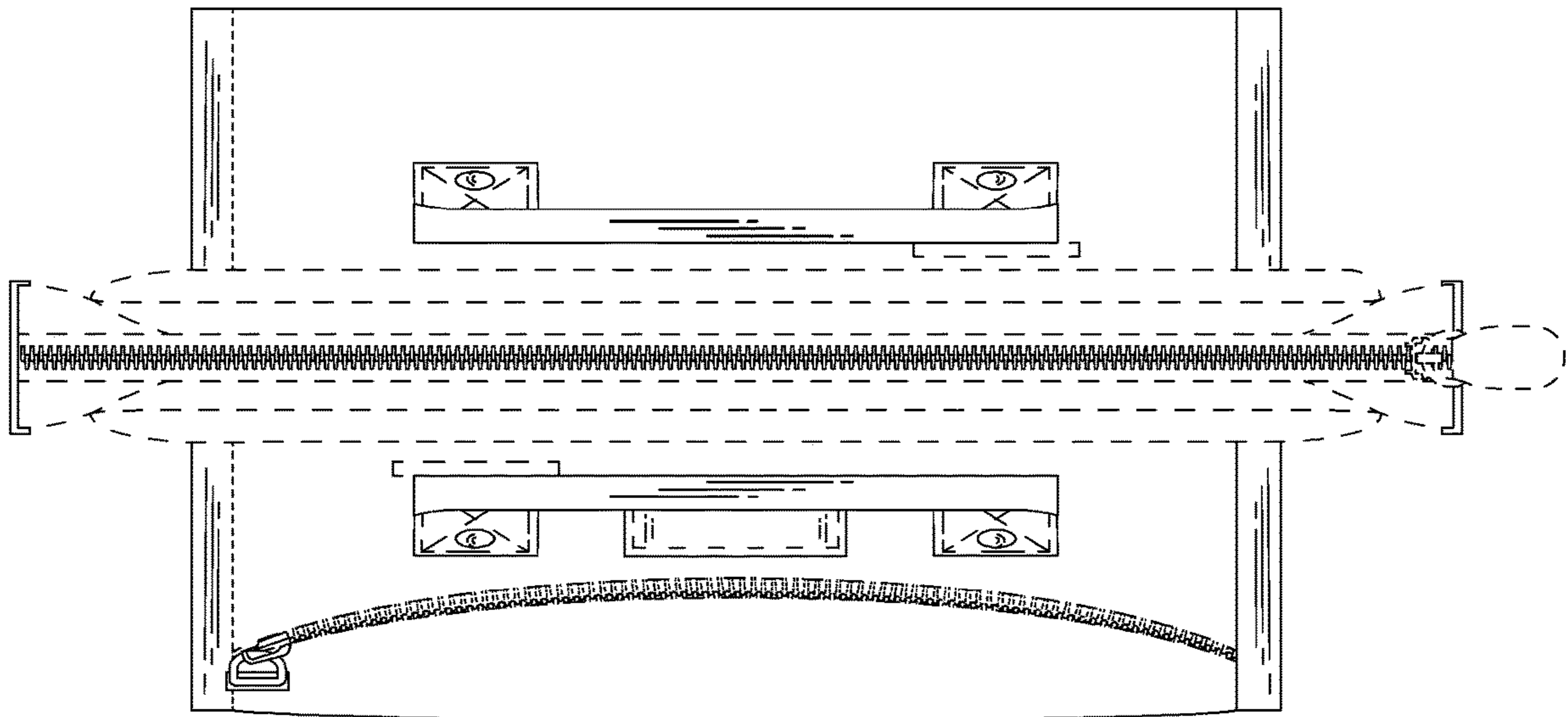


FIG. 6

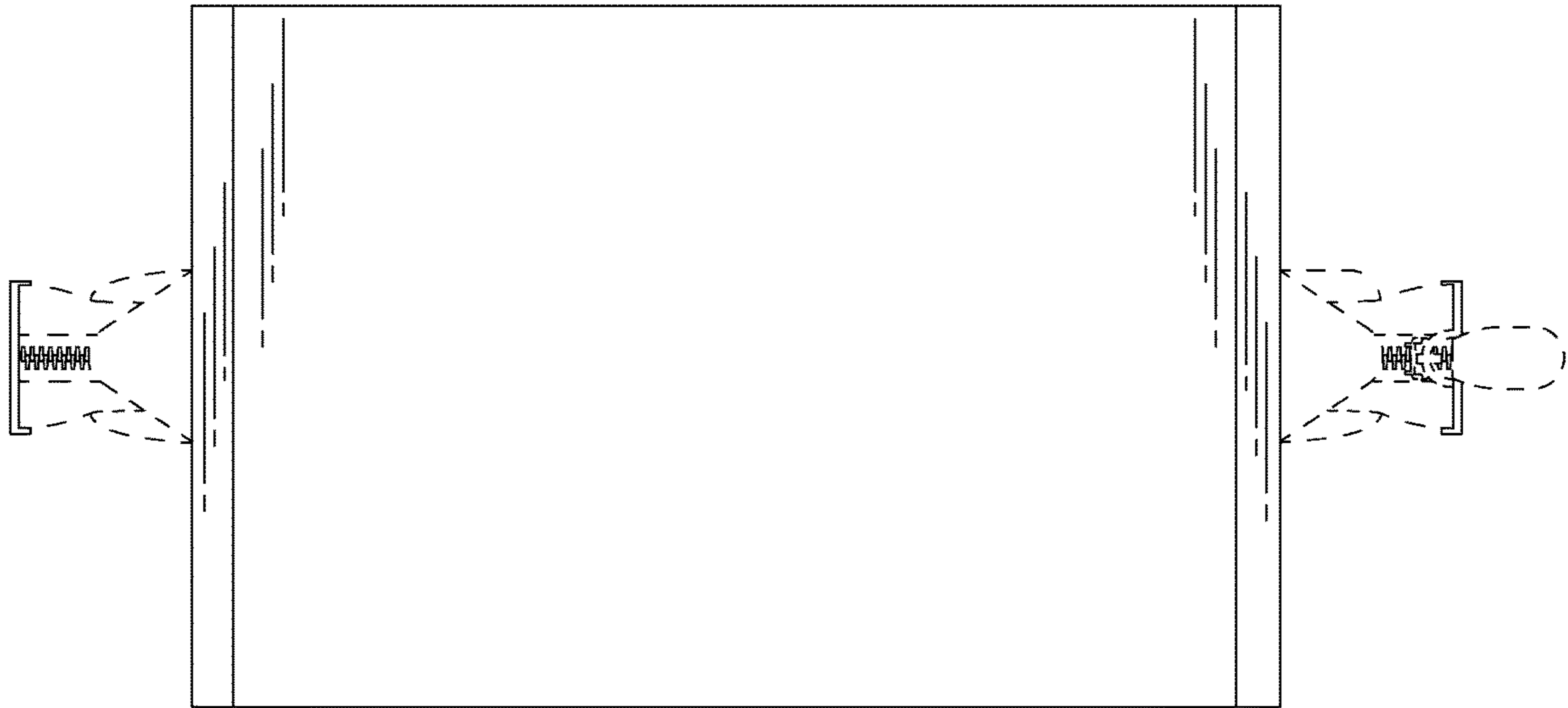


FIG. 7