



US00D978623S

(12) **United States Design Patent** (10) **Patent No.:** **US D978,623 S**
Li (45) **Date of Patent:** **** Feb. 21, 2023**

(54) **CUTTING BOARD HOLDER**

(71) Applicant: **Heycart, Inc.**

(72) Inventor: **Tony Li**, Monterey Park, CA (US)

(**) Term: **15 Years**

(21) Appl. No.: **29/757,397**

(22) Filed: **Nov. 5, 2020**

(51) **LOC (14) Cl.** **07-99**

(52) **U.S. Cl.**
USPC **D7/601**

(58) **Field of Classification Search**
USPC D7/387, 504, 538, 540–543, 545–549,
D7/553.1–553.3, 554.3–555, 601–604,
D7/619.1–623, 628–631, 701–708.1, 709;
D3/202, 304, 306, 315, 316; D6/513,
D6/525, 566, 683.1, 678.4; D9/455;
D14/447; D19/90
CPC A47B 55/02; A47B 77/14; A47F 7/0064;
A47J 47/005; A47J 47/16; B42F 17/02;
B65D 9/32

See application file for complete search history.

(56) **References Cited**

U.S. PATENT DOCUMENTS

2,020,584	A *	11/1935	Spiegl	B65D 9/32 217/56
D370,596	S *	6/1996	Fleisher	D7/504
D530,570	S *	10/2006	Krueger	A47B 77/18 D7/601
D571,788	S *	6/2008	King, Jr.	D14/217
D736,566	S *	8/2015	Tsai	D7/601
D809,350	S *	2/2018	Goodman	D7/704
D831,664	S *	10/2018	Chen	D14/447
D836,400	S *	12/2018	Goodman	D7/601
D836,401	S *	12/2018	Goodman	B65D 9/32 D7/601

D850,169	S *	6/2019	Tsai	D6/678.4
D921,404	S *	6/2021	Kurlander	B42F 17/02 D6/678.4
2005/0230330	A1 *	10/2005	Killinger	B42F 17/02 211/11
2019/0159632	A1 *	5/2019	Stevens	A47B 77/18

OTHER PUBLICATIONS

Design No. 429179-0001, Aug. 21, 2012—Intellectual Property Office of New Zealand (IPONZ) Publication Date—Aug. 21, 2012 Owner—Pi-Design AG WIPO, available at <https://www3.wipo.int/designdb/en/index.jsp> (Year: 2012).*
SMIRLY Plastic Cutting Board Set, first available Oct. 22, 2020, Amazon, [online], [site visited Apr. 28, 2022]. Available from internet URL: <https://www.amazon.com/Smirly-Plastic-Cutting-Board-Set/dp/B08LMSG7J1> (Year: 2020).*

* cited by examiner

Primary Examiner — Mary Ann Calabrese
Assistant Examiner — Natalya M Rapundalo
(74) *Attorney, Agent, or Firm* — CIONCA IP Law P.C.;
Marin Cionca

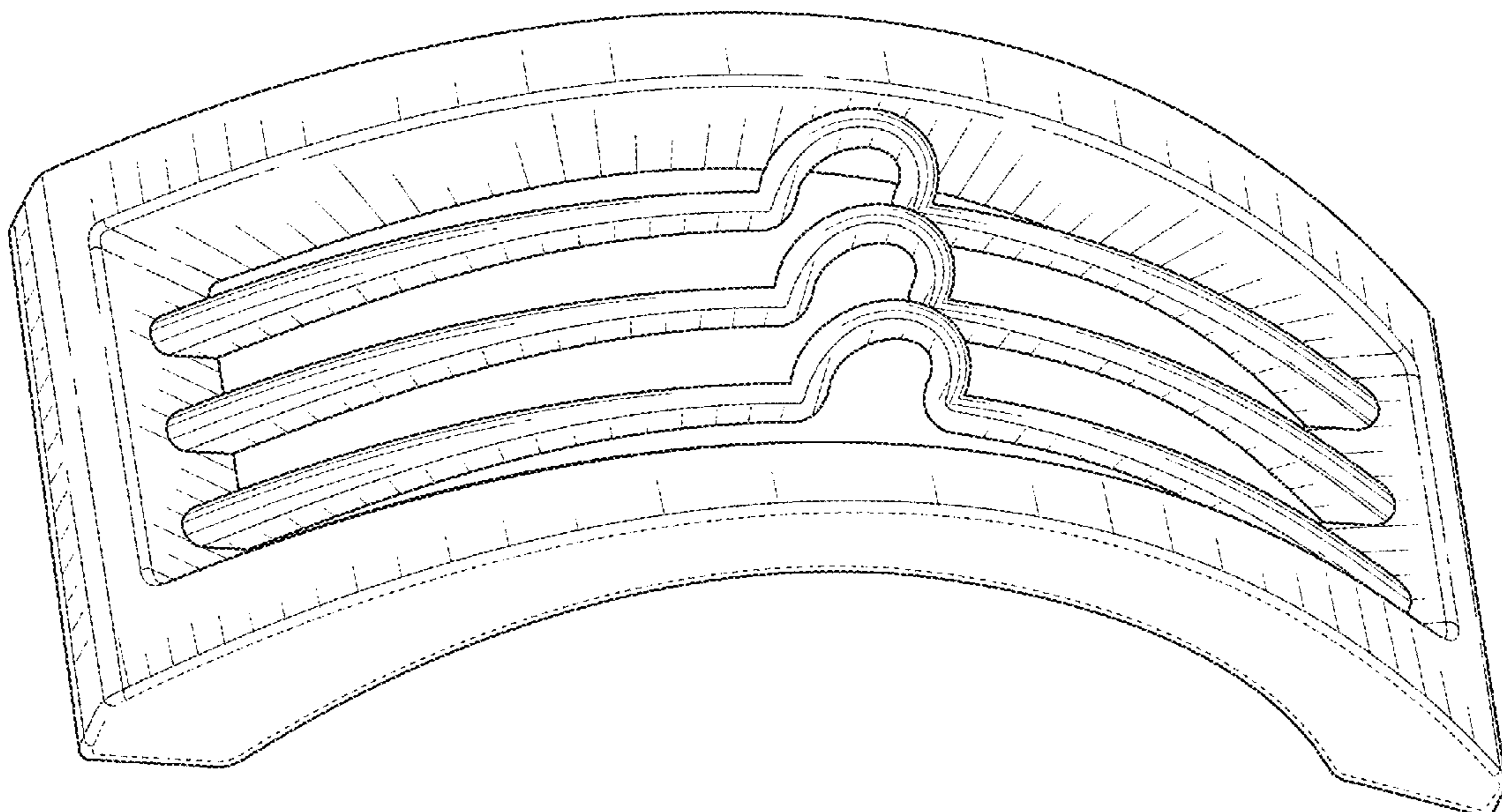
(57) **CLAIM**

The ornamental design for a cutting board holder, as shown and described.

DESCRIPTION

FIG. 1 is a perspective view of a cutting board holder showing the new design, FIG. 2 is right-side view, FIG. 3 is a left-side view, FIG. 4 is a front view thereof, FIG. 5 is a back view thereof, FIG. 6 is a top view thereof; and, FIG. 7 is a bottom view thereof. The broken lines in the drawings represent portions of the cutting board holder and form no part of the claimed design.

1 Claim, 5 Drawing Sheets



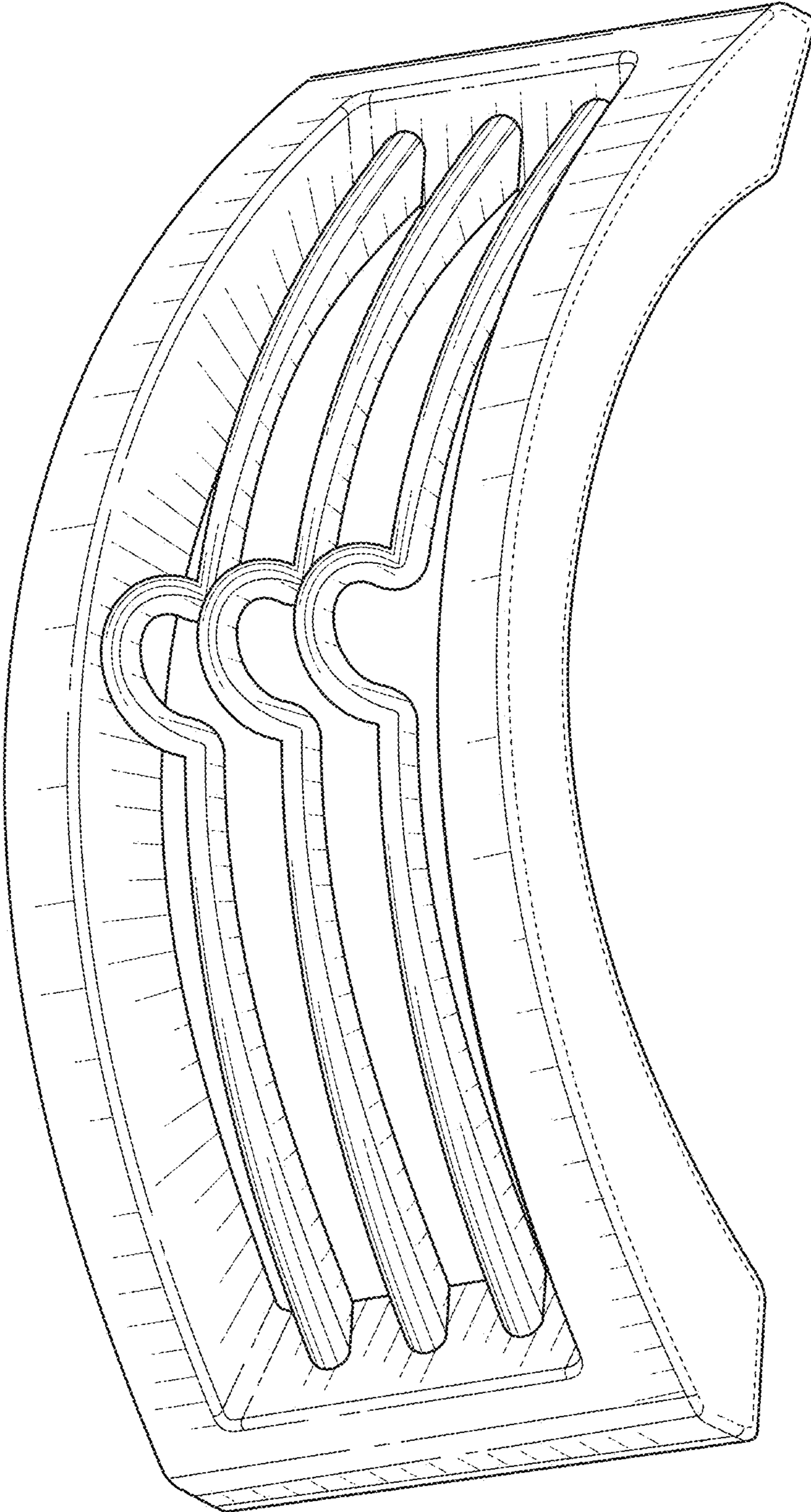


FIG. 1

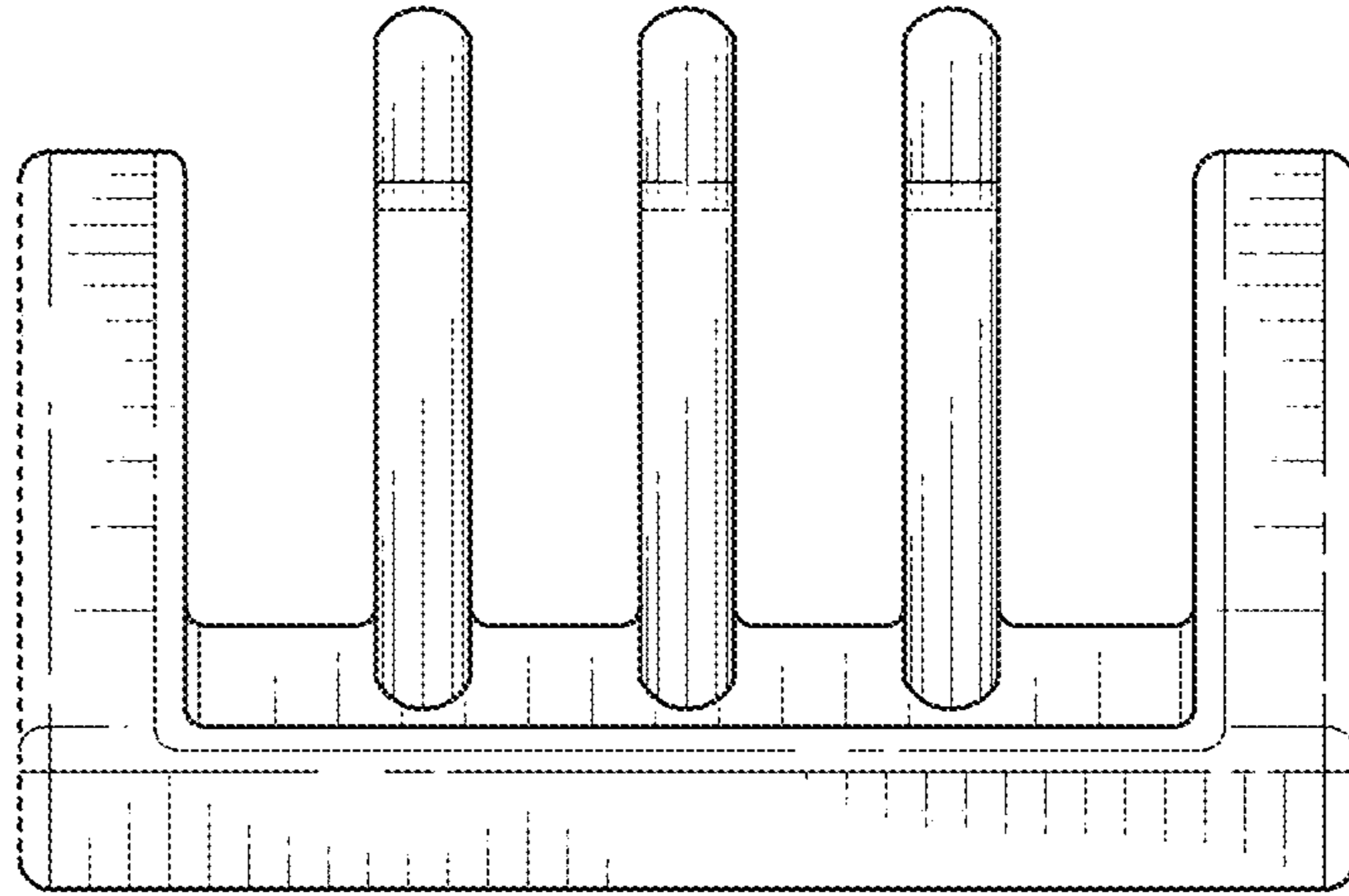


FIG. 2

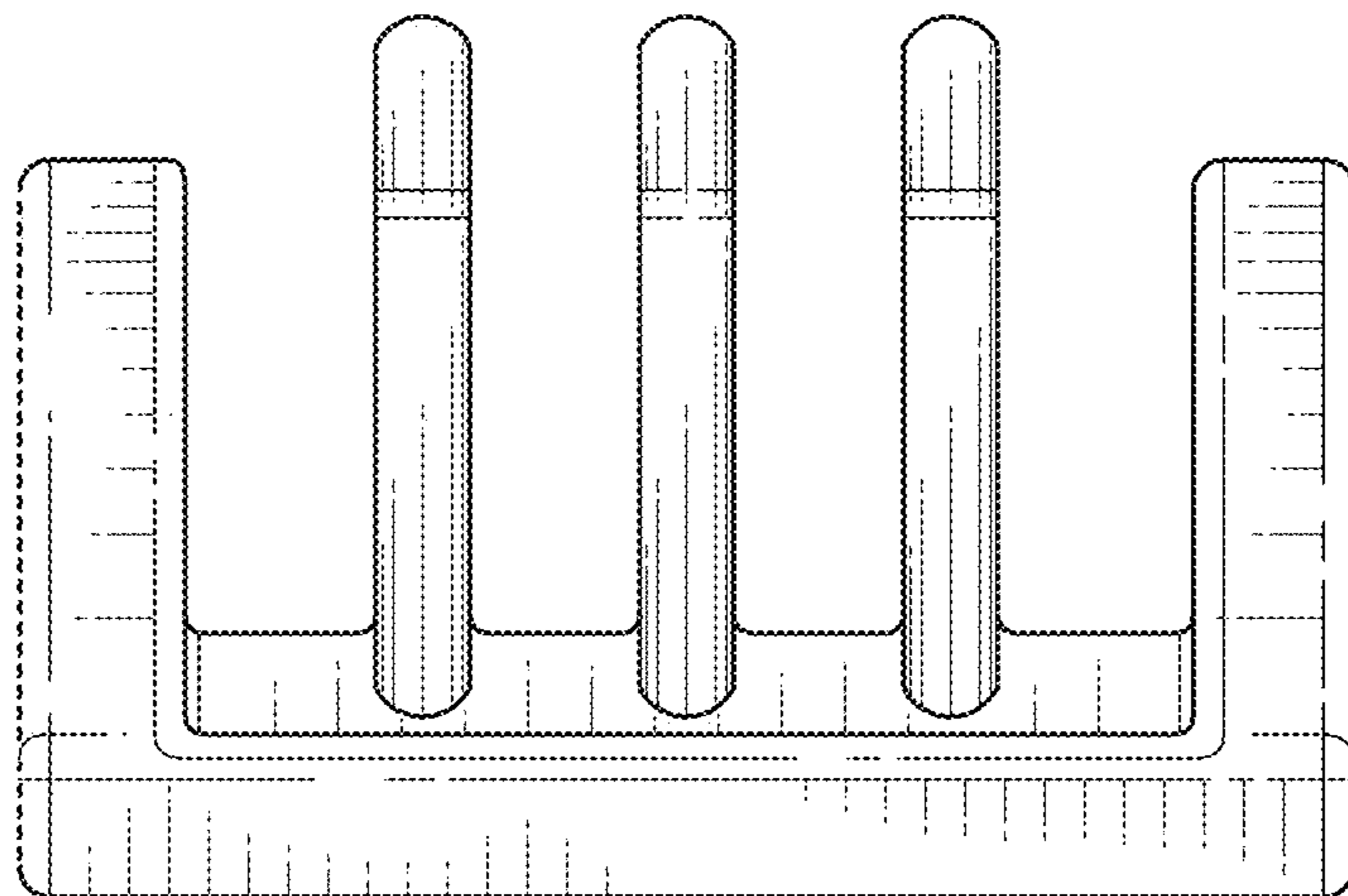


FIG. 3

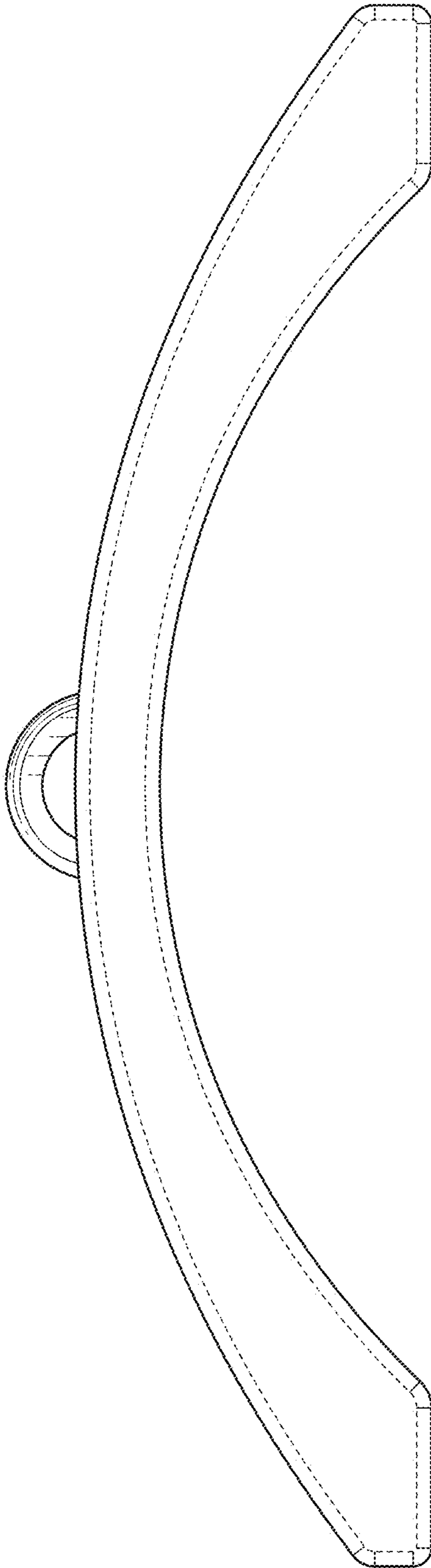


FIG. 4

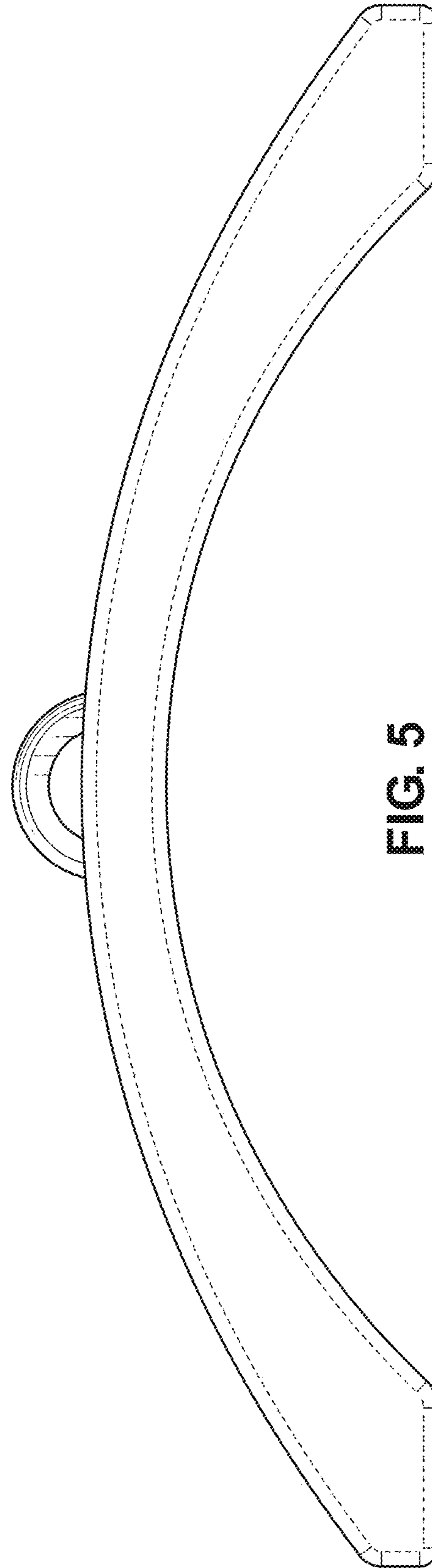


FIG. 5

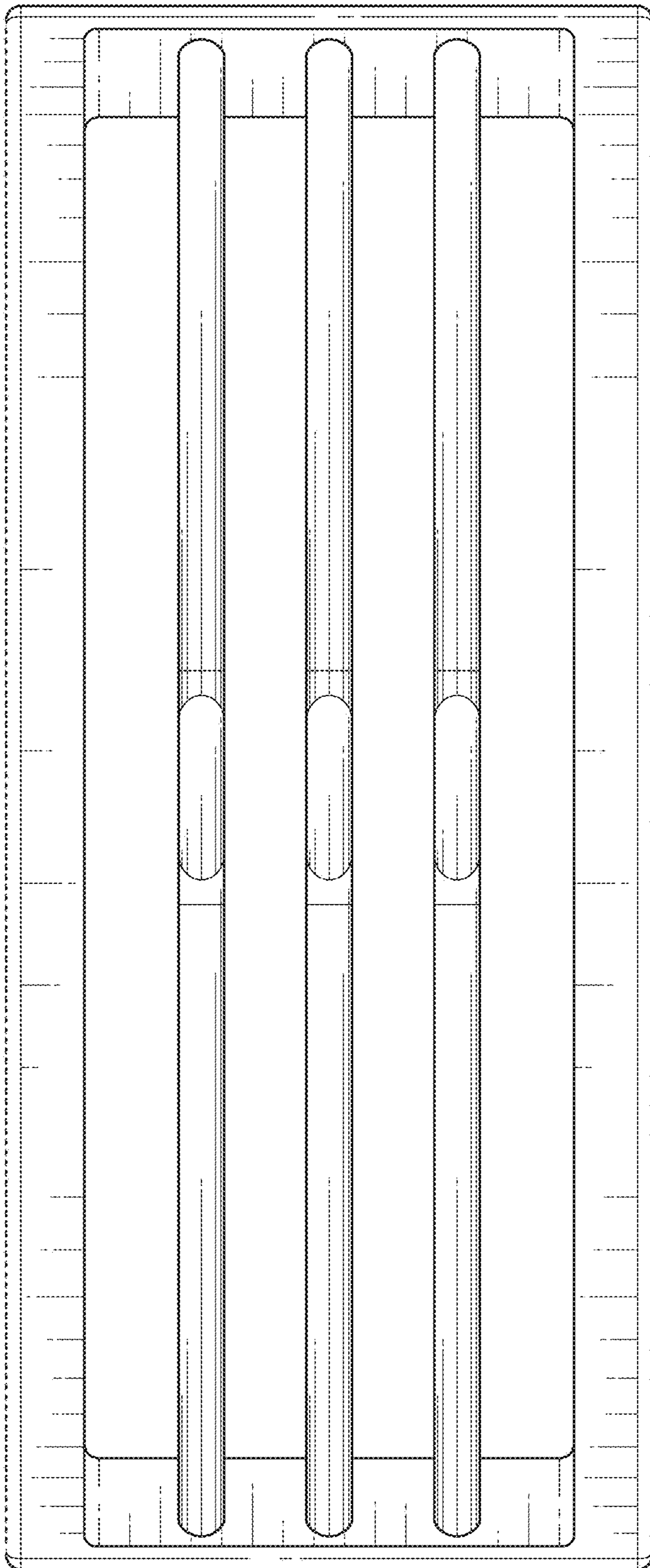


FIG. 6

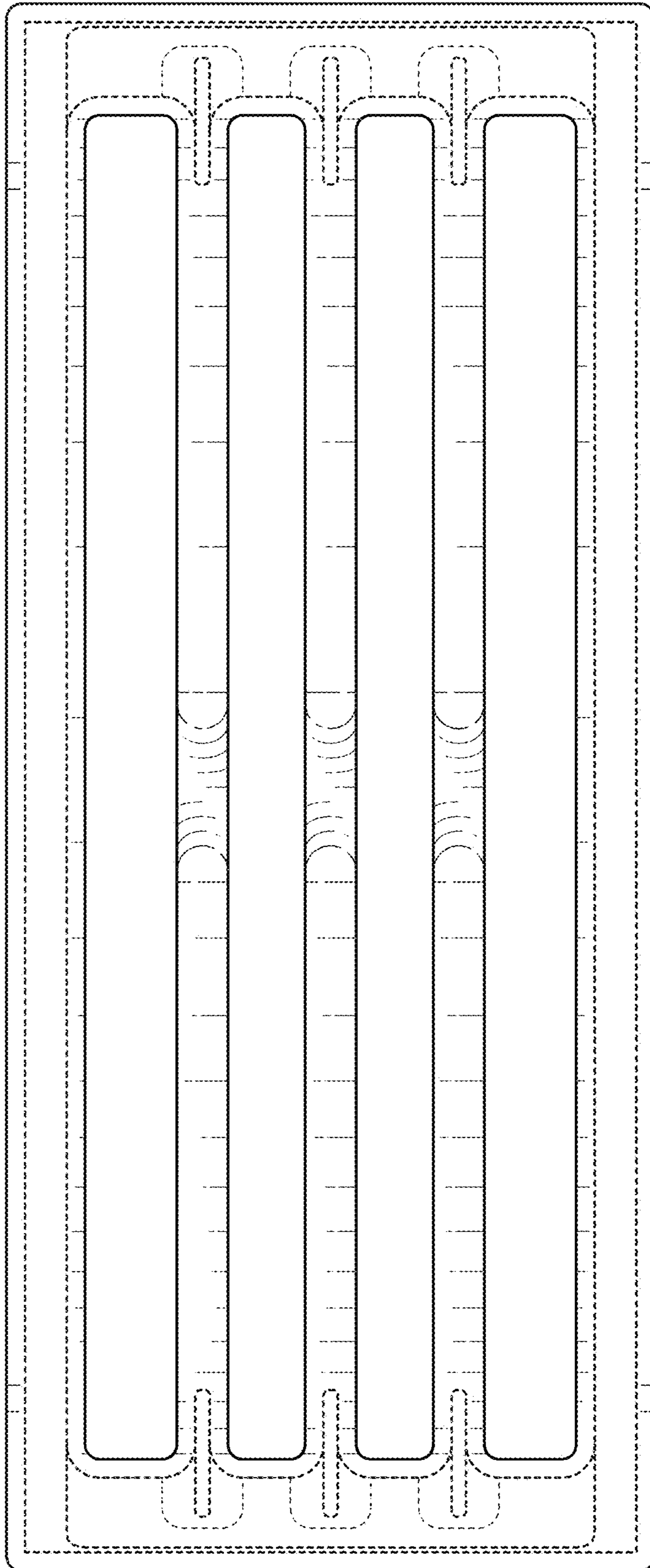


FIG. 7