



US00D978620S

(12) **United States Design Patent** (10) **Patent No.:** **US D978,620 S**
Watson et al. (45) **Date of Patent:** **** Feb. 21, 2023**

(54) **TRAY**
(71) Applicant: **CSP Technologies, Inc.**, Auburn, AL (US)
(72) Inventors: **Neal Watson**, Atlanta, GA (US); **Michael Johnston**, Atlanta, GA (US)
(73) Assignee: **CSP Technologies, Inc.**, Auburn, AL (US)

D466,758 S * 12/2002 Bradley 220/23.8
D591,174 S * 4/2009 Larson D9/425
D601,040 S * 9/2009 Vovan D9/425
(Continued)

FOREIGN PATENT DOCUMENTS

DE 19508484 A1 10/1995
WO 199832661 A1 7/1998
(Continued)

OTHER PUBLICATIONS

International Search Report for International Application No. PCT/US2018/040482, dated Oct. 4, 2018.
(Continued)

(**) Term: **15 Years**
(21) Appl. No.: **29/718,016**
(22) Filed: **Dec. 20, 2019**
(51) **LOC (14) Cl.** **07-01**
(52) **U.S. Cl.**
USPC **D7/553.2**; D9/760
(58) **Field of Classification Search**
USPC D7/405, 500, 550.1, 552.1–553.3, 554.1, D7/554.3–555, 557, 558, 560–562, 396.1, D7/396.4–396.6, 701, 707, 708, 630, 586, D7/587, 354; D9/756, 759, 760, 761, D9/500, 456, 425, 415; D23/209
CPC .. A47J 47/00; A47J 47/02; A47J 47/06; A47J 47/14; B65D 2501/24019; B65D 1/36; A47G 19/02
See application file for complete search history.

Primary Examiner — Nicole C Shiflet
(74) *Attorney, Agent, or Firm* — Mark T. Vogelbacker; Eckert Seamans Cherin & Mellott, LLC

(57) **CLAIM**

The ornamental design for a tray, as shown and described.

DESCRIPTION

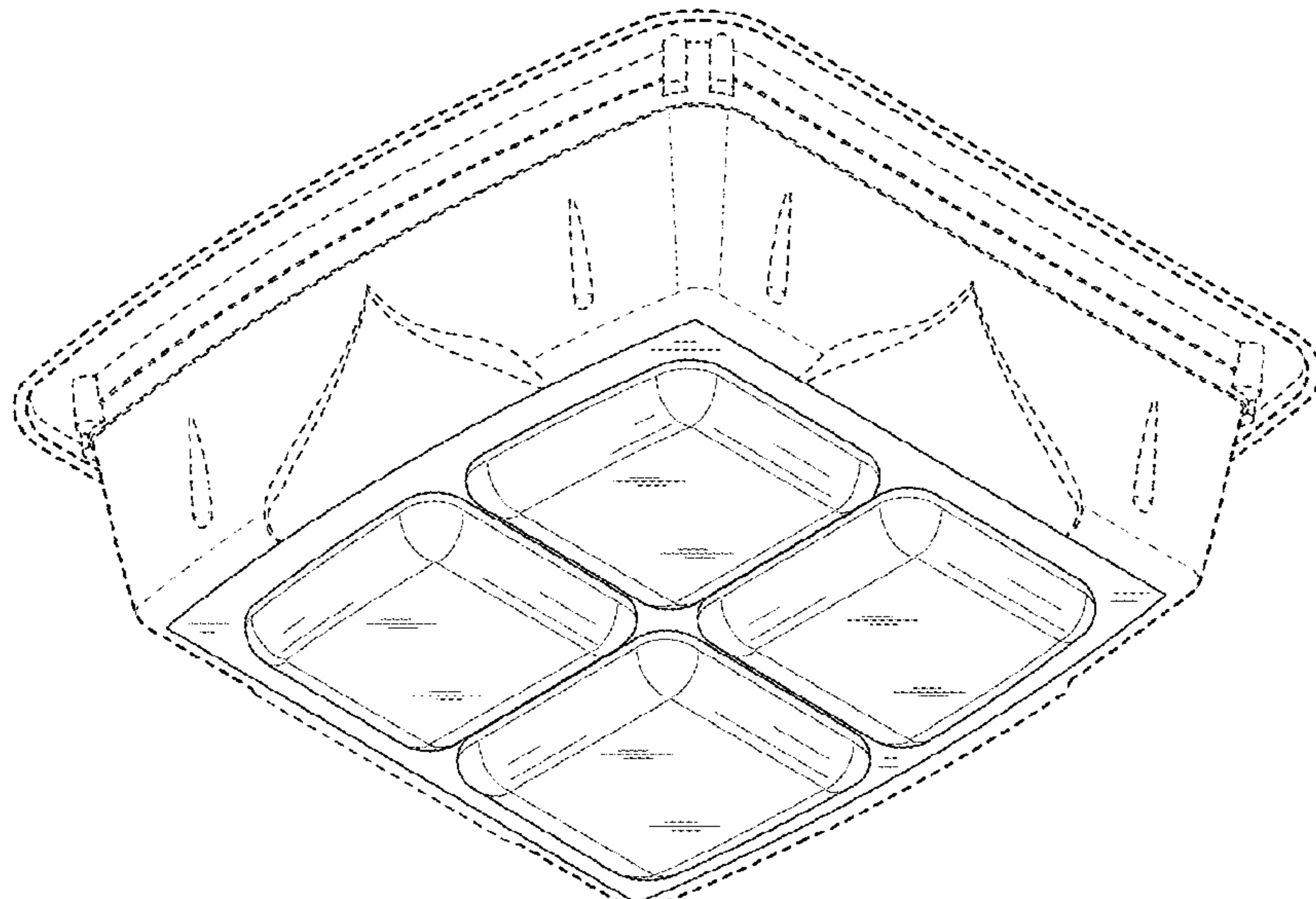
FIG. 1 is a top perspective view of a tray showing our new design;
FIG. 2 is a bottom perspective view of the tray shown in FIG. 1;
FIG. 3 is a front elevation view of the tray shown in FIG. 1, where the rear elevation view is a mirror image thereof;
FIG. 4 is a right side elevation view of the tray shown in FIG. 1, where the left side elevation view is a mirror image thereof;
FIG. 5 is a cross-sectional side elevation view of the tray taken along line 5-5 of FIG. 1;
FIG. 6 is a top plan view of the tray shown in FIG. 1; and, FIG. 7 is a bottom plan view of the tray shown in FIG. 1. The broken lines in the figures illustrate portions of the tray that form no part of the claimed design.

1 Claim, 7 Drawing Sheets

(56) **References Cited**

U.S. PATENT DOCUMENTS

4,083,670 A * 4/1978 Reifers B65D 1/36 425/398
5,322,182 A * 6/1994 Fritz B65D 1/36 420/107
D366,395 S * 1/1996 Wyatt D7/552.2
5,695,798 A * 12/1997 Rozzano B65D 1/36 426/115
D417,785 S * 12/1999 Daniels D9/425



(56)

References Cited

U.S. PATENT DOCUMENTS

D616,266 S * 5/2010 Kulzer D7/701
D621,651 S * 8/2010 Bryce D7/354
D622,588 S * 8/2010 Wichmann D9/761
D628,449 S * 12/2010 Kulzer D7/701
7,863,350 B2 1/2011 Brander et al.
D641,233 S * 7/2011 Pugh D9/415
D642,484 S * 8/2011 Birchmeier D9/425
D642,937 S * 8/2011 Birchmeier D9/425
D643,310 S * 8/2011 Birchmeier D9/425
D646,561 S * 10/2011 Pugh D9/415
D679,586 S * 4/2013 Afford D9/425
8,915,050 B2 * 12/2014 Walsh B65B 25/04
53/446
D751,865 S * 3/2016 Harris D7/553.2
D786,095 S * 5/2017 Kim D9/760
D837,608 S * 1/2019 Dwork D7/584
D840,841 S * 2/2019 Appendini D9/425

D840,842 S * 2/2019 Appendini D9/425
D912,766 S * 3/2021 Tu D23/209
D949,286 S * 4/2022 Tu D23/209
2006/0188464 A1 8/2006 Bochot et al.

FOREIGN PATENT DOCUMENTS

WO 2000000409 A1 1/2000
WO 2008091466 A1 7/2008
WO 2012122427 A2 9/2012
WO 2018089933 A1 5/2018

OTHER PUBLICATIONS

Webpage for "Organic Zucchini Veggicchine" from Cece's Veggie Co's website. Accessed via web Mar. 16, 2020. <<https://cecesveggieco.com/product/organic-zucchini-veggicchine>>.

* cited by examiner

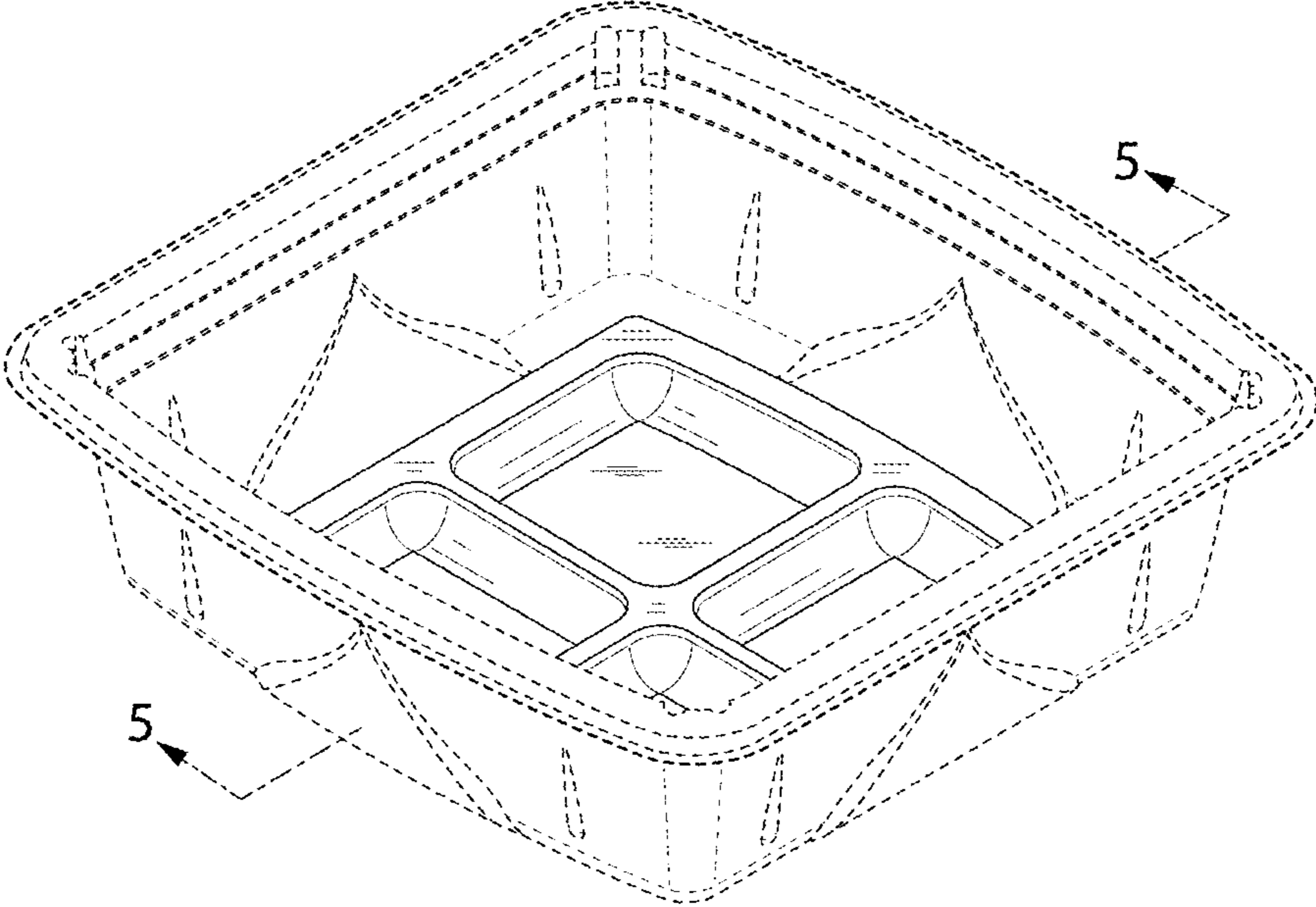


FIG. 1

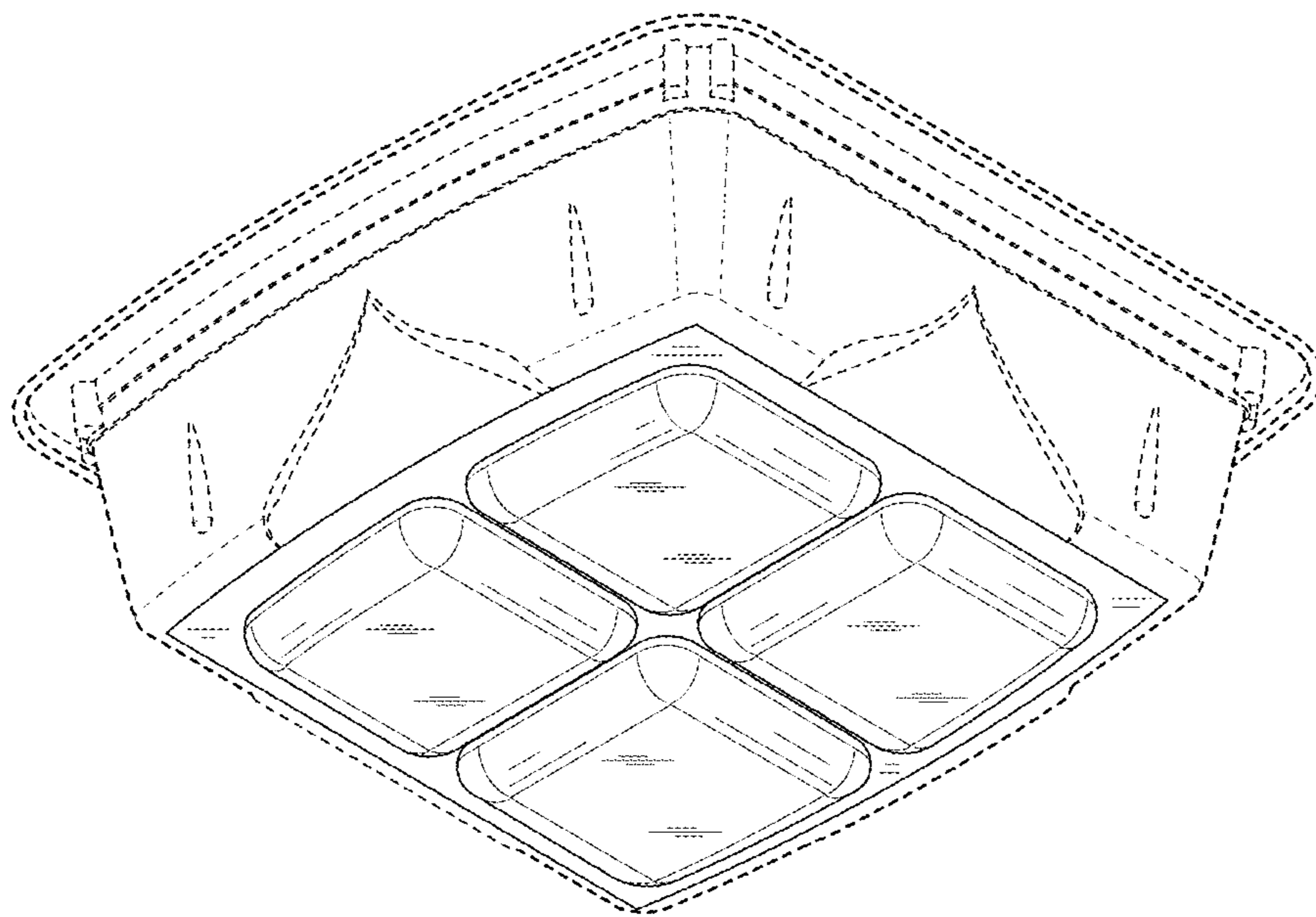


FIG. 2

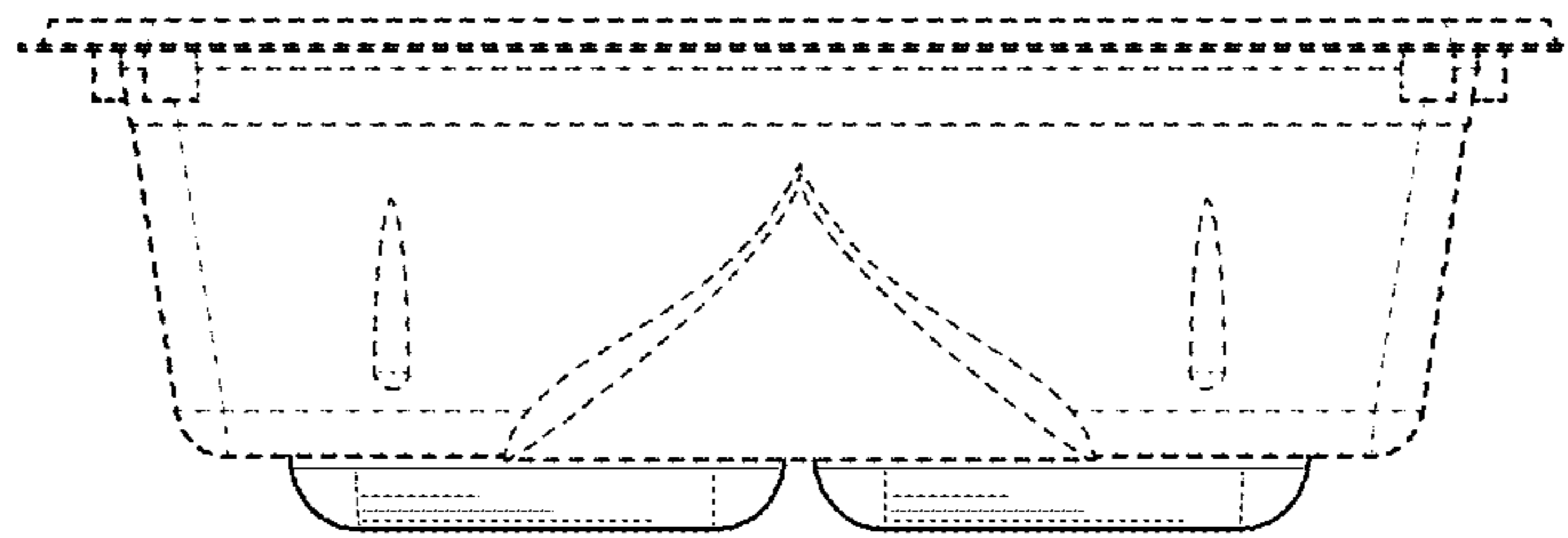


FIG. 3

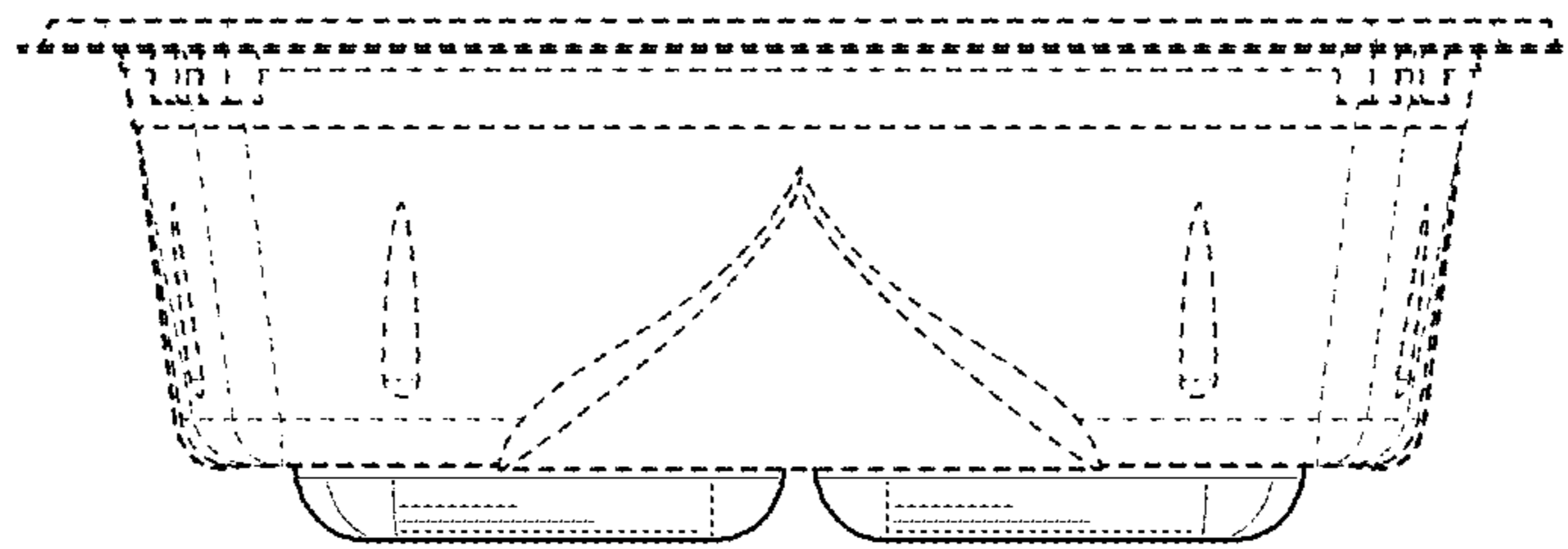


FIG. 4

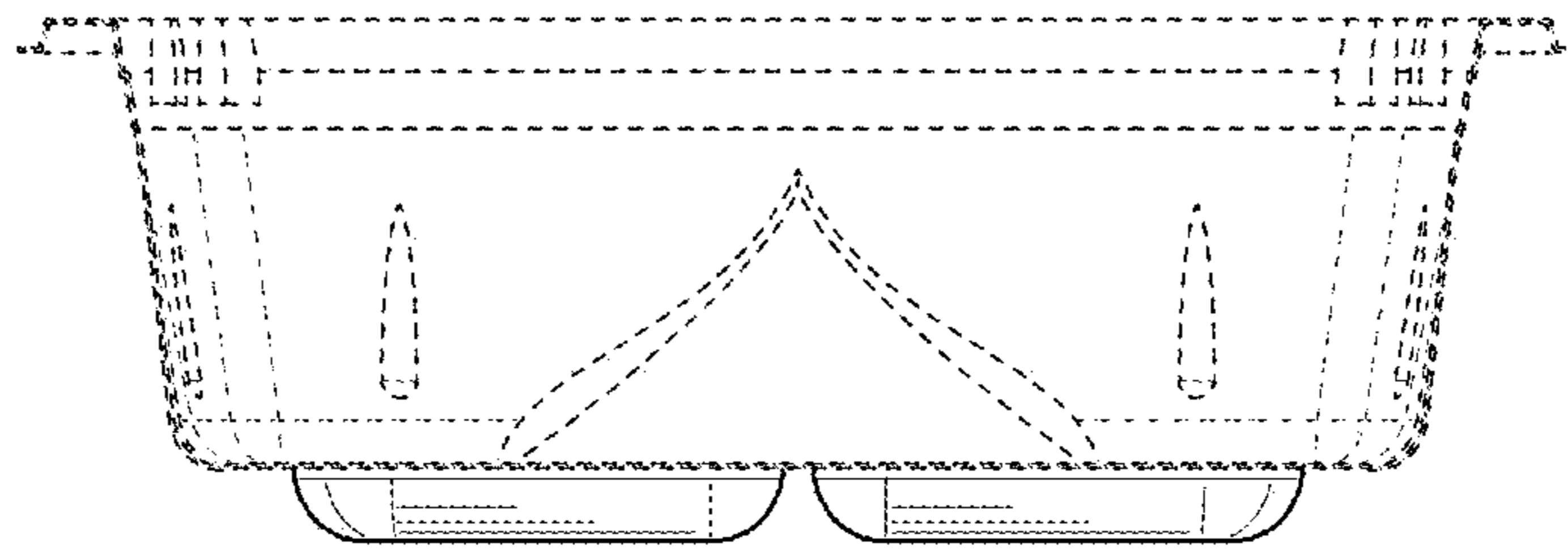


FIG. 5

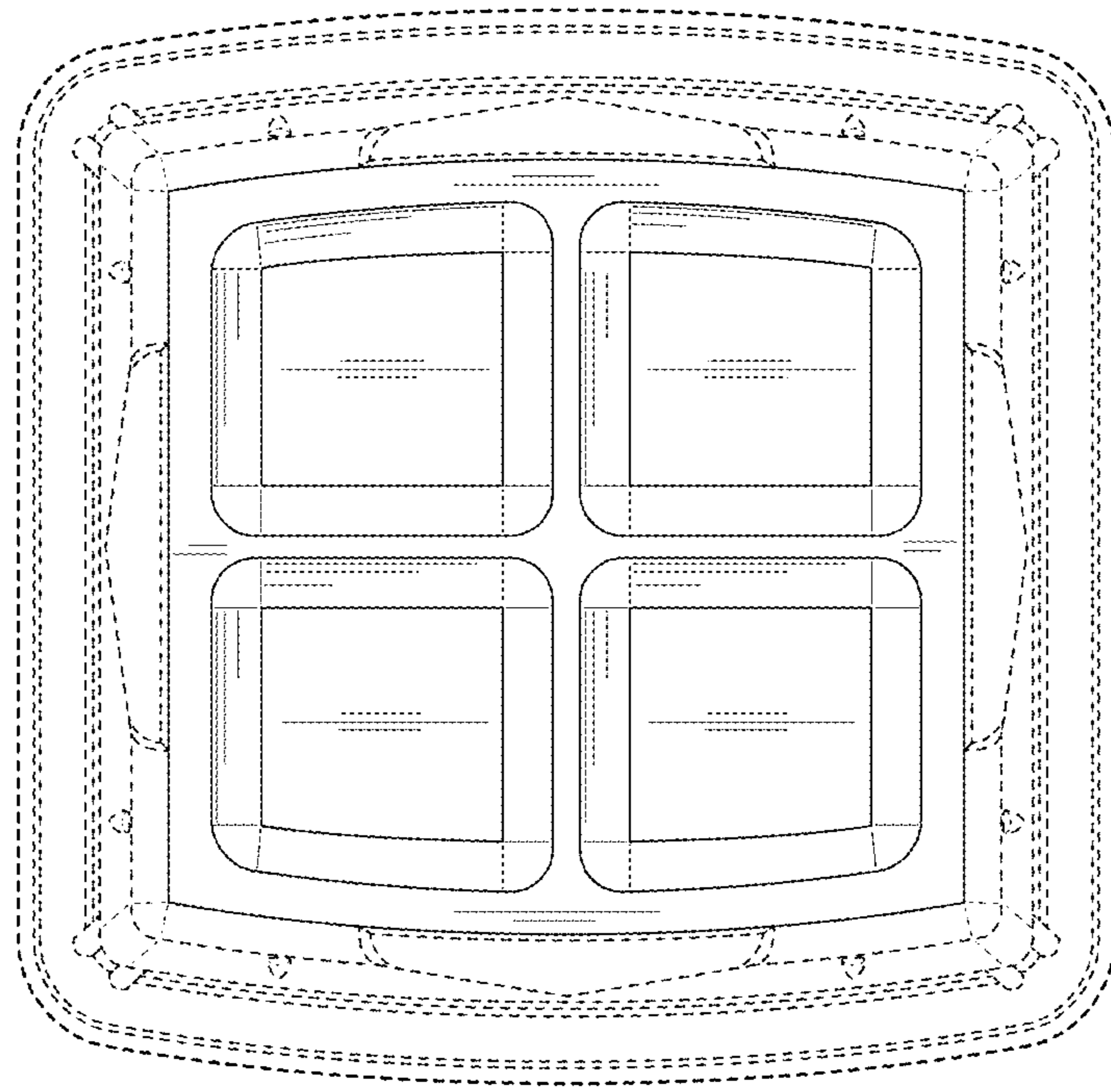


FIG. 6

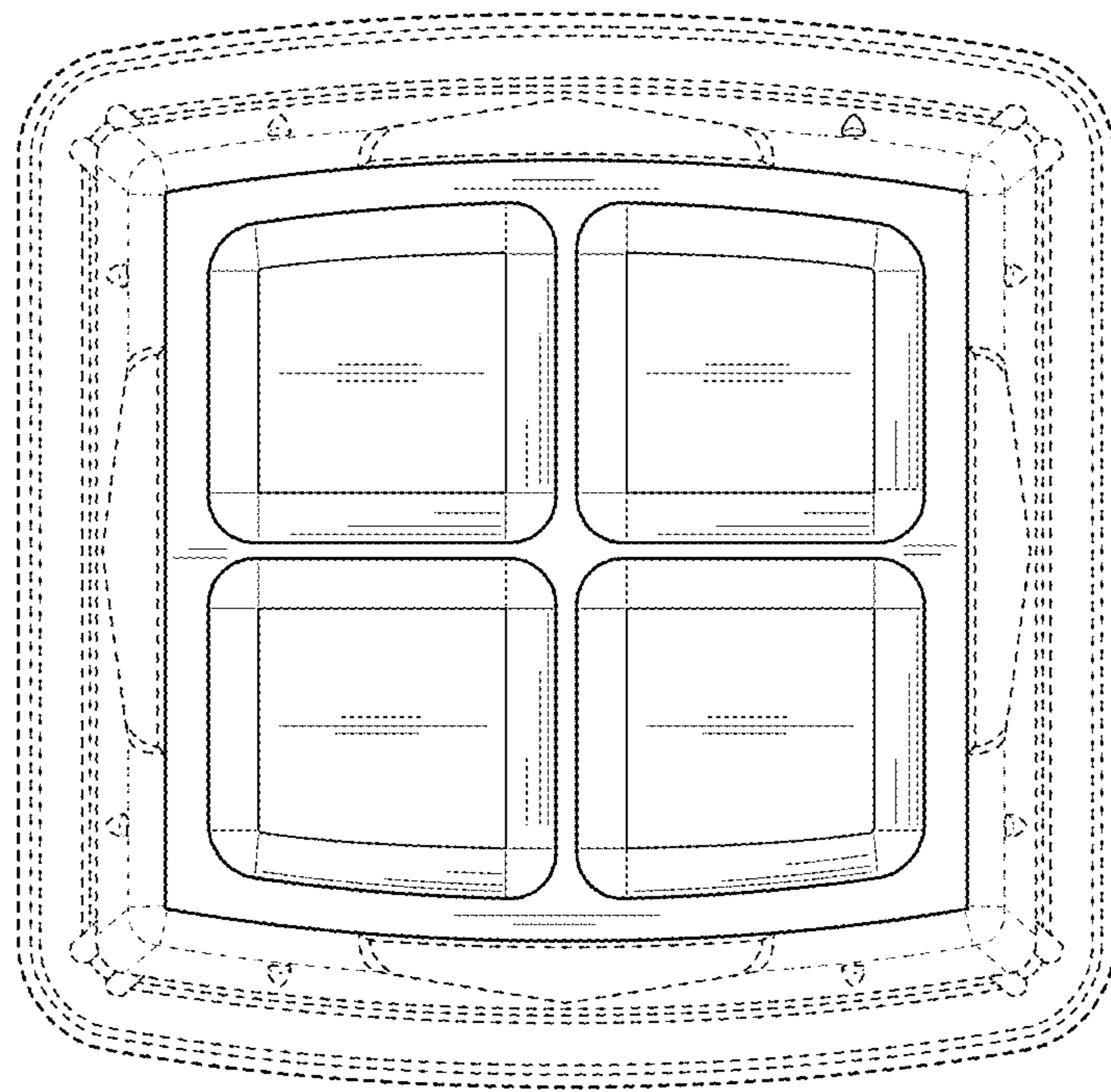


FIG. 7