



US00D978619S

(12) **United States Design Patent**  
**Watson et al.**

(10) **Patent No.:** **US D978,619 S**

(45) **Date of Patent:** **\*\* Feb. 21, 2023**

(54) **TRAY**

D601,040 S \* 9/2009 Vovan ..... D9/425  
D616,266 S \* 5/2010 Kulzer ..... D7/701  
D621,651 S \* 8/2010 Bryce ..... D7/354

(71) Applicant: **CSP Technologies, Inc.**, Auburn, AL  
(US)

(Continued)

(72) Inventors: **Neal Watson**, Atlanta, GA (US);  
**Michael Johnston**, Atlanta, GA (US)

FOREIGN PATENT DOCUMENTS

(73) Assignee: **CSP Technologies, Inc.**, Auburn, AL  
(US)

DE 19508484 A1 10/1995  
WO 199832661 A1 7/1998

(Continued)

(\*\*) Term: **15 Years**

OTHER PUBLICATIONS

(21) Appl. No.: **29/718,015**

International Search Report for International Application No. PCT/  
US2018/040482, dated Oct. 4, 2018.

(Continued)

(22) Filed: **Dec. 20, 2019**

(51) **LOC (14) Cl.** ..... **07-01**

(52) **U.S. Cl.**  
USPC ..... **D7/553.2**; D9/760

(58) **Field of Classification Search**  
USPC ..... D7/405, 500, 550.1, 552.1–553.3, 554.1,  
D7/554.3–555, 557, 558, 560–562, 396.1,  
D7/396.4–396.6, 701, 707, 708, 630, 586,  
D7/587, 354; D9/756, 759, 760, 761,  
D9/500, 456, 425, 415; D23/209  
CPC .. A47J 47/00; A47J 47/02; A47J 47/06; A47J  
47/14; B65D 2501/24019; B65D 1/36;  
A47G 19/02

See application file for complete search history.

*Primary Examiner* — Nicole C Shiflet

(74) *Attorney, Agent, or Firm* — Mark T. Vogelbacker;  
Eckert Seamans Cherin & Mellott, LLC

(57) **CLAIM**

The ornamental design for a tray, as shown and described.

**DESCRIPTION**

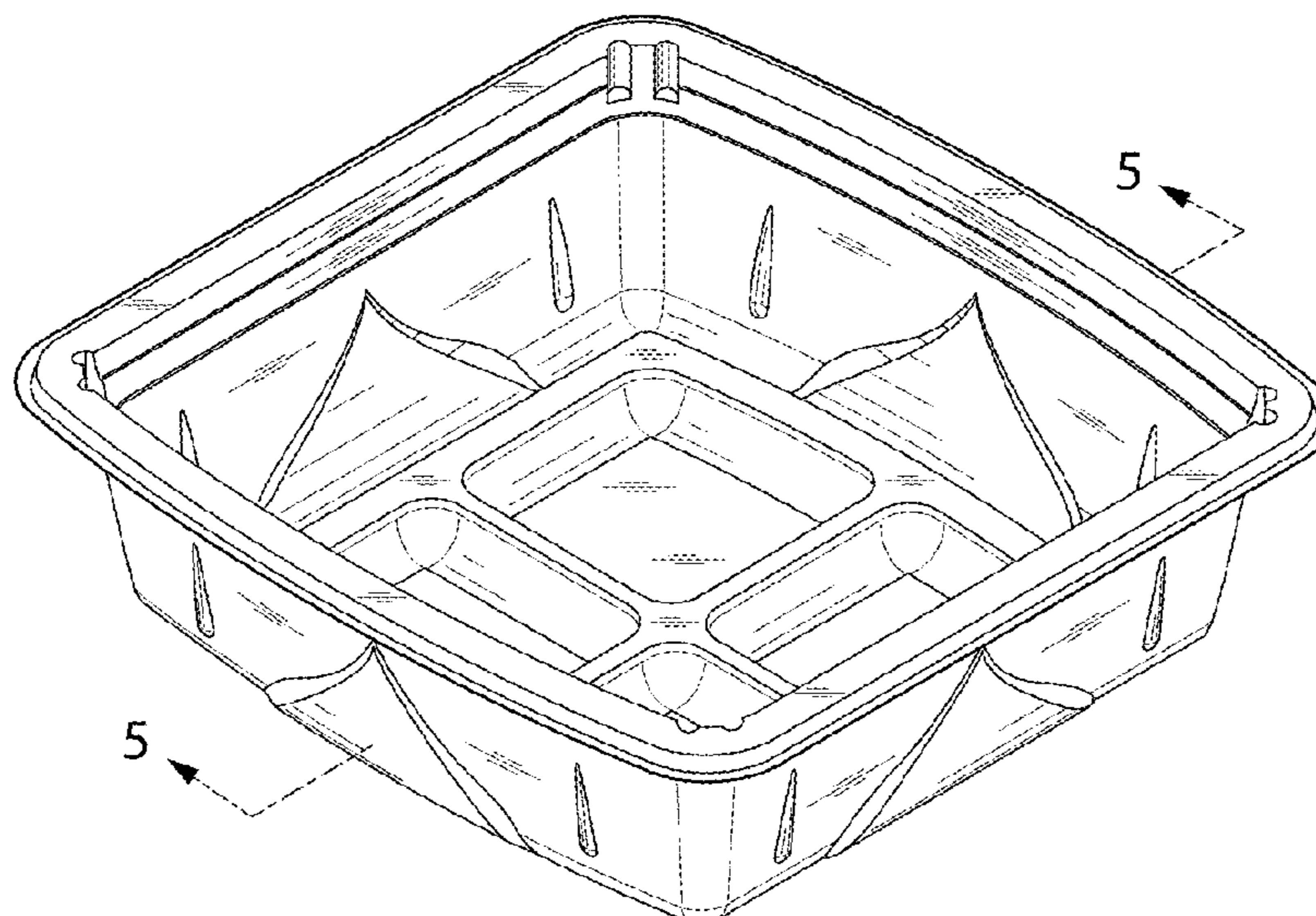
FIG. 1 is a top perspective view of a tray showing our new design;  
FIG. 2 is a bottom perspective view of the tray shown in FIG. 1;  
FIG. 3 is a front elevation view of the tray shown in FIG. 1, where the rear elevation view is a mirror image thereof;  
FIG. 4 is a right side elevation view of the tray shown in FIG. 1, where the left side elevation view is a mirror image thereof;  
FIG. 5 is a cross-sectional side elevation view of the tray taken along line 5-5 of FIG. 1;  
FIG. 6 is a top plan view of the tray shown in FIG. 1; and,  
FIG. 7 is a bottom plan view of the tray shown in FIG. 1.

(56) **References Cited**

U.S. PATENT DOCUMENTS

4,083,670 A \* 4/1978 Reifers ..... B65D 1/36  
425/398  
5,322,182 A \* 6/1994 Fritz ..... B65D 1/36  
420/107  
D366,395 S \* 1/1996 Wyatt ..... D7/552.2  
5,695,798 A \* 12/1997 Rozzano ..... B65D 1/36  
426/115  
D417,785 S \* 12/1999 Daniels ..... D9/425  
D466,758 S \* 12/2002 Bradley ..... 220/23.8  
D591,174 S \* 4/2009 Larson ..... D9/425

**1 Claim, 7 Drawing Sheets**



(56)

References Cited

U.S. PATENT DOCUMENTS

D622,588 S \* 8/2010 Wichmann ..... D9/761  
D628,449 S \* 12/2010 Kulzer ..... D7/701  
7,863,350 B2 1/2011 Brander et al.  
D641,233 S \* 7/2011 Pugh ..... D9/415  
D642,484 S \* 8/2011 Birchmeier ..... D9/425  
D642,937 S \* 8/2011 Birchmeier ..... D9/425  
D643,310 S \* 8/2011 Birchmeier ..... D9/425  
D646,561 S \* 10/2011 Pugh ..... D9/415  
D679,586 S \* 4/2013 Afford ..... D9/425  
8,915,050 B2 \* 12/2014 Walsh ..... B65B 25/04  
53/446  
D751,865 S \* 3/2016 Harris ..... D7/553.2  
D786,095 S \* 5/2017 Kim ..... D9/760  
D837,608 S \* 1/2019 Dwork ..... D7/584  
D840,841 S \* 2/2019 Appendini ..... D9/425  
D840,842 S \* 2/2019 Appendini ..... D9/425

D912,766 S \* 3/2021 Tu ..... D23/209  
D949,286 S \* 4/2022 Tu ..... D23/209  
2006/0188464 A1 8/2006 Bochot et al.

FOREIGN PATENT DOCUMENTS

WO 2000000409 A1 1/2000  
WO 2008091466 A1 7/2008  
WO 2012122427 A2 9/2012  
WO 2018089933 A1 5/2018

OTHER PUBLICATIONS

Webpage for "Organic Zucchini Veggicine" from Cece's Veggie Co's website. Accessed via web Mar. 16, 2020. <<https://cecesveggieco.com/product/organic-zucchini-veggicine>>.

\* cited by examiner

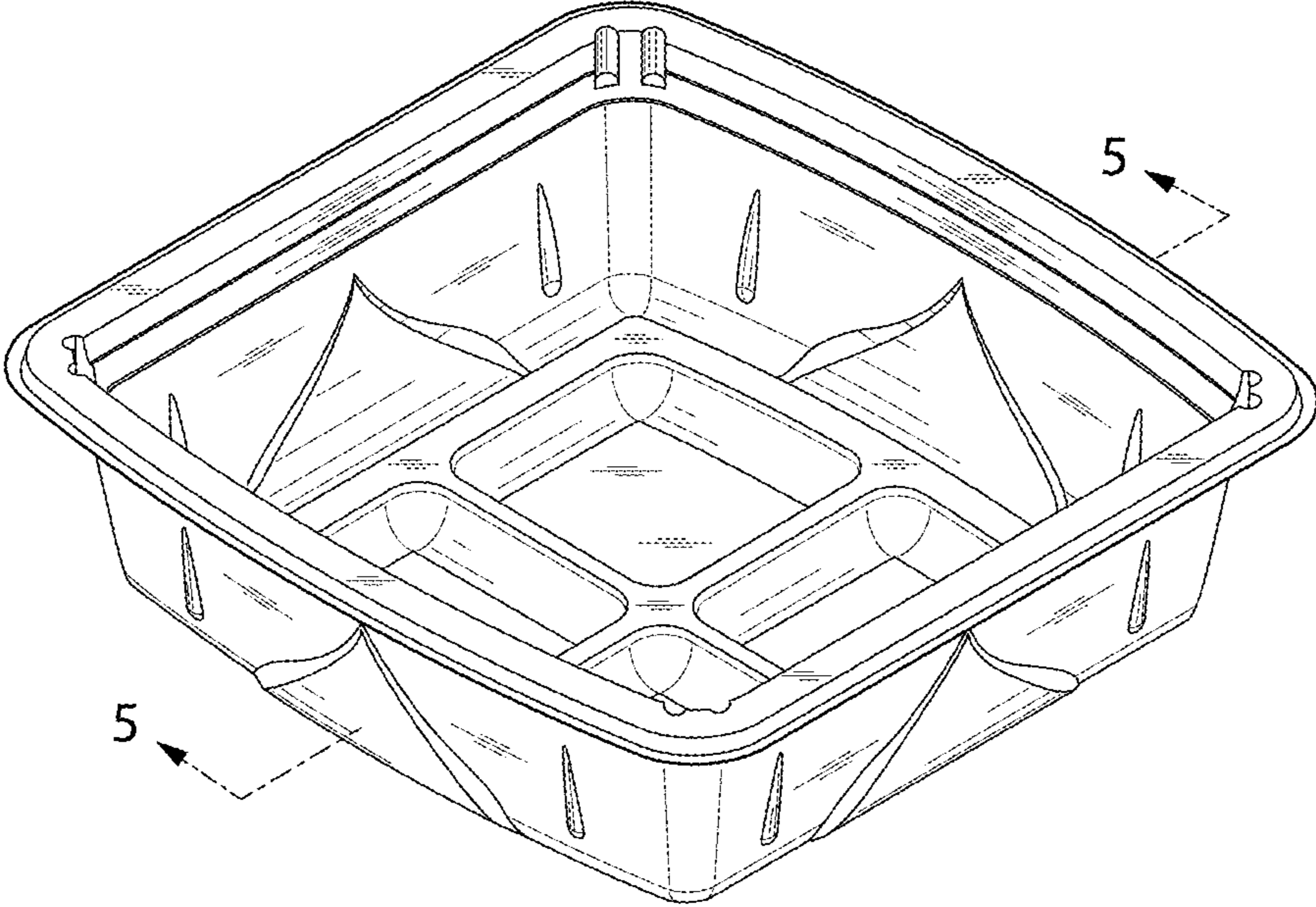


FIG. 1

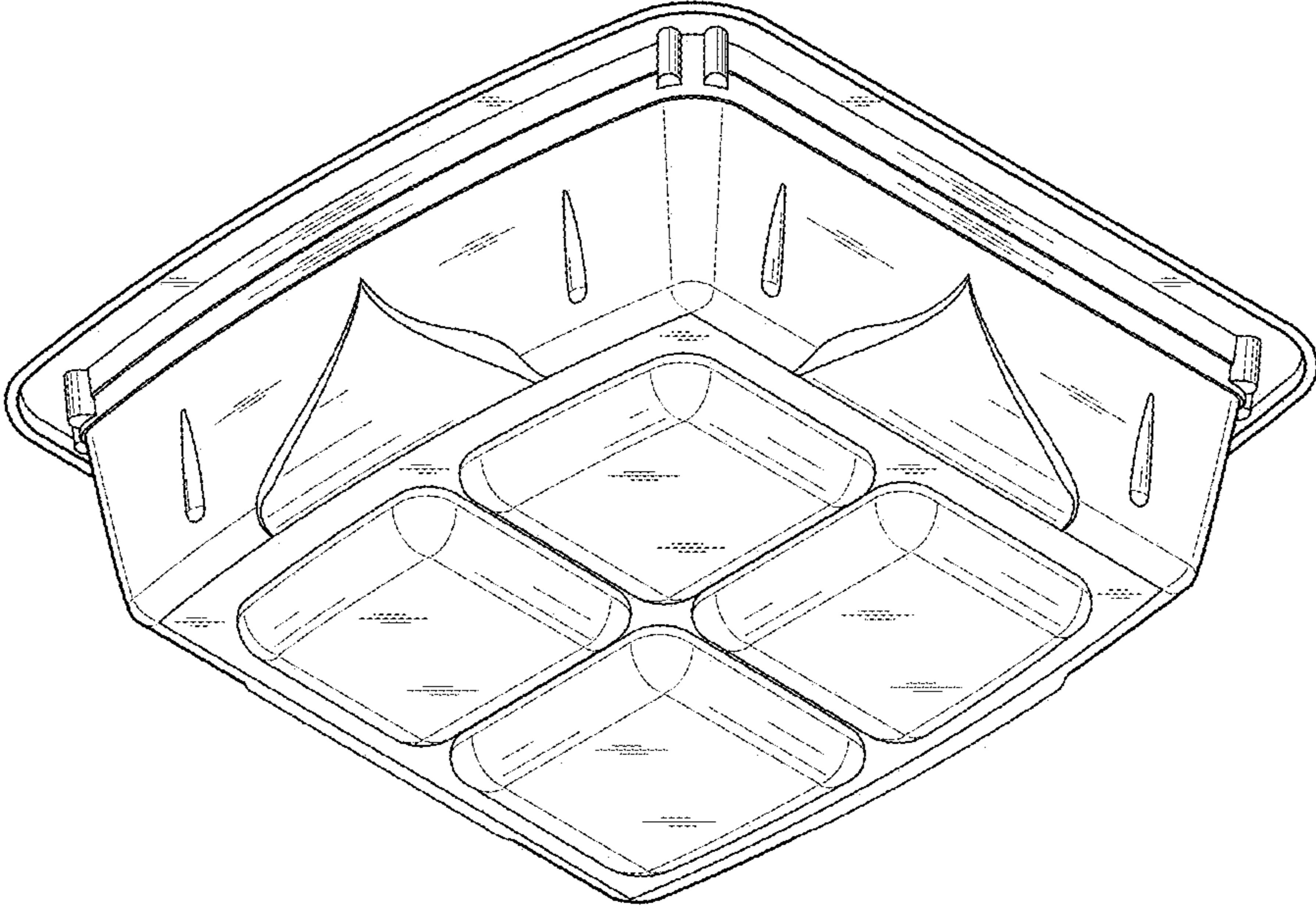


FIG. 2

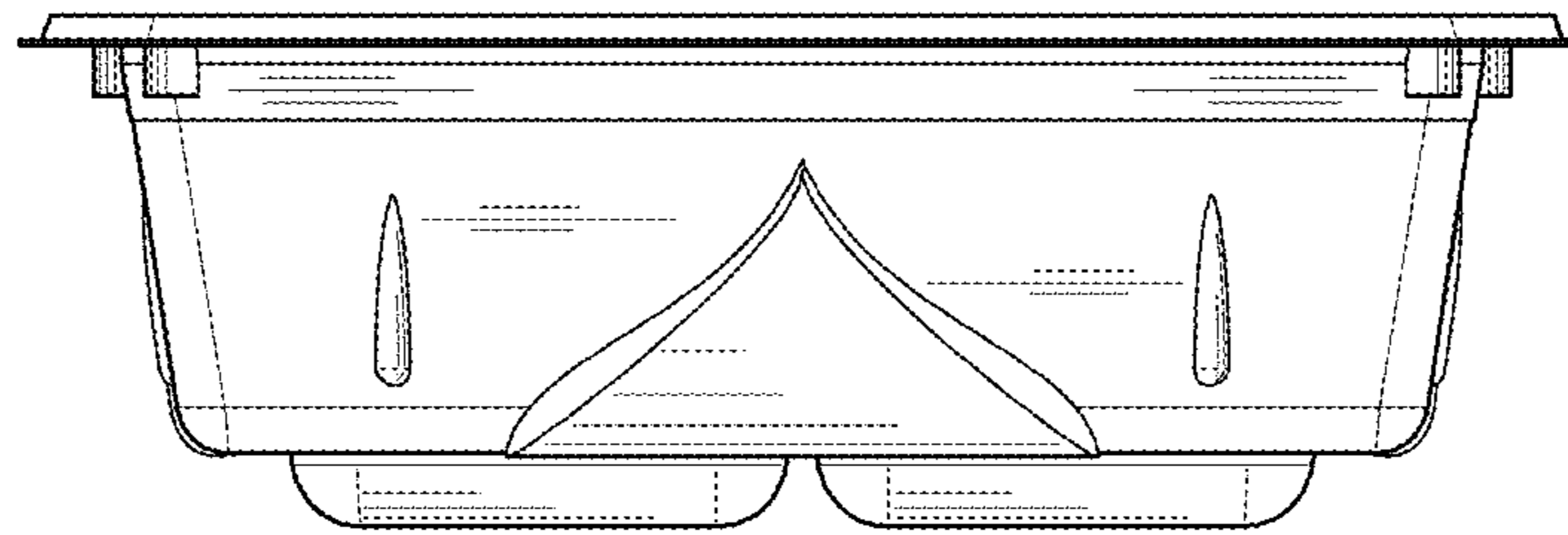


FIG. 3

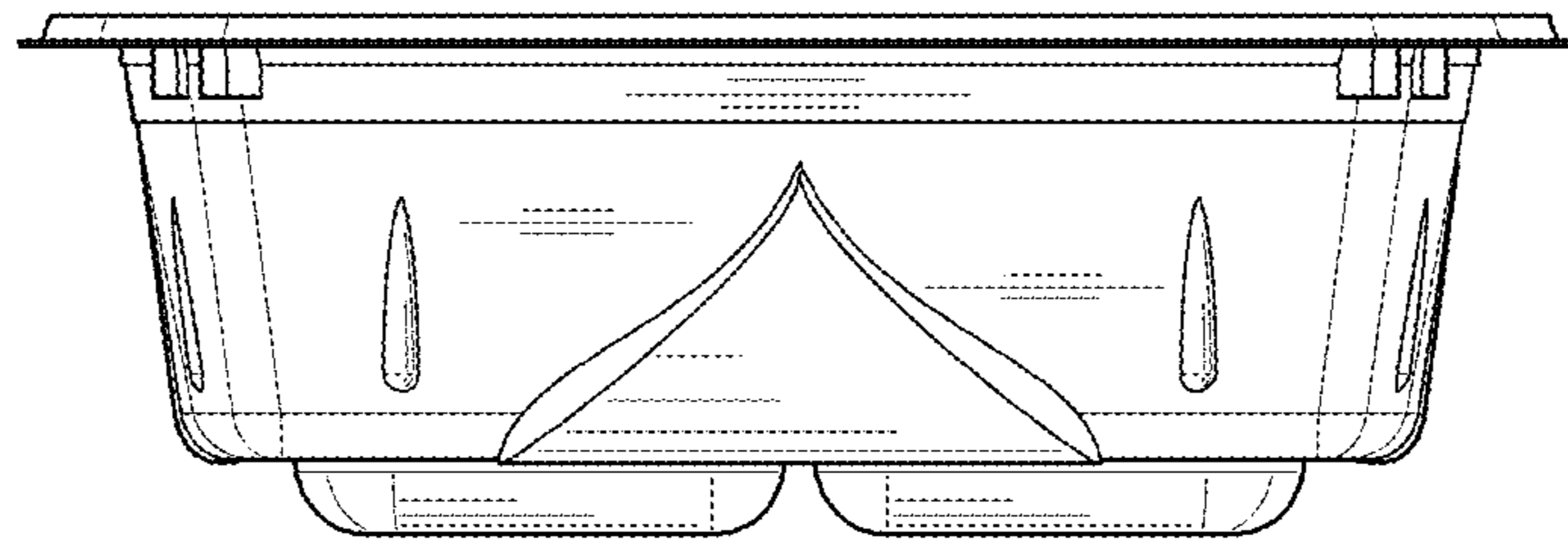


FIG. 4

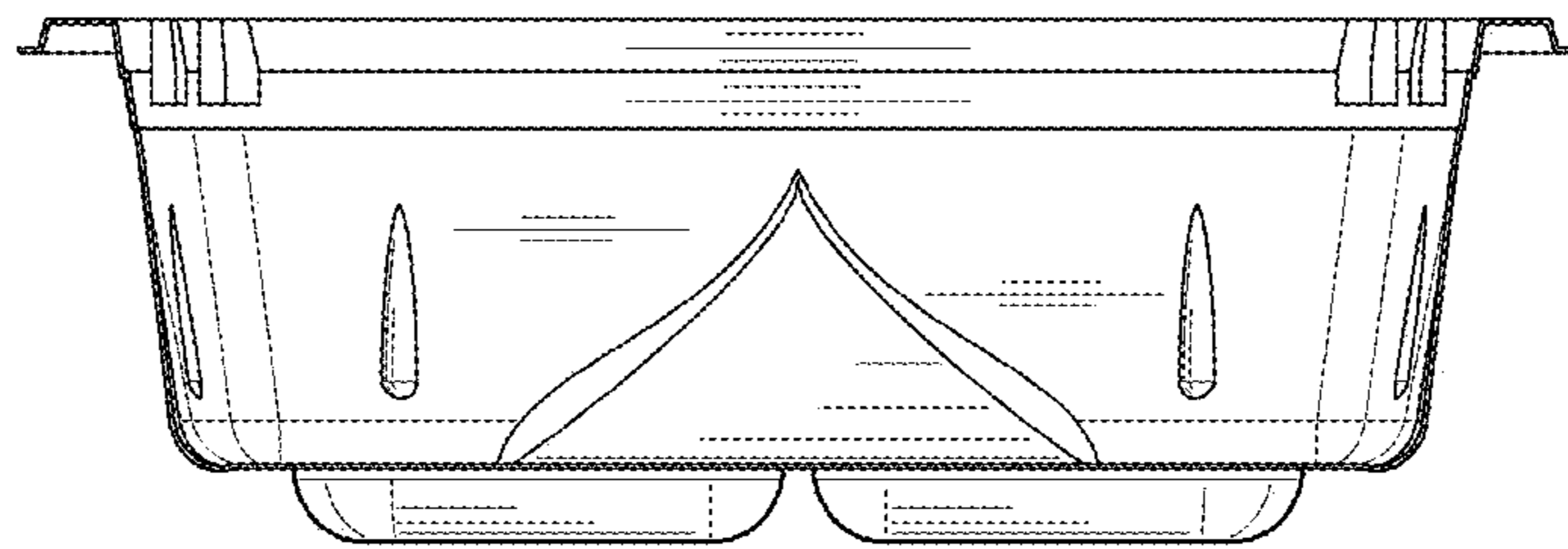


FIG. 5

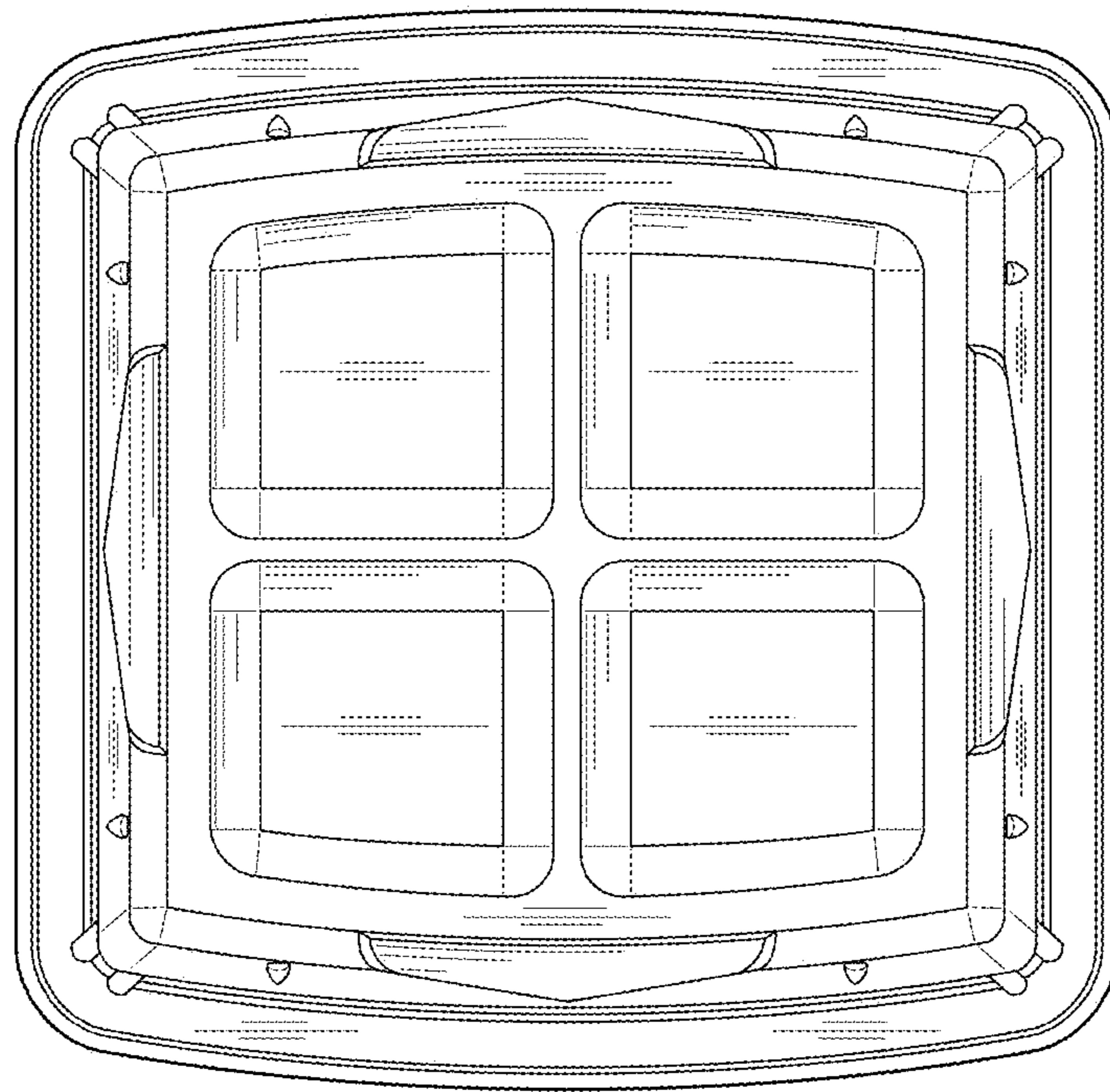


FIG. 6



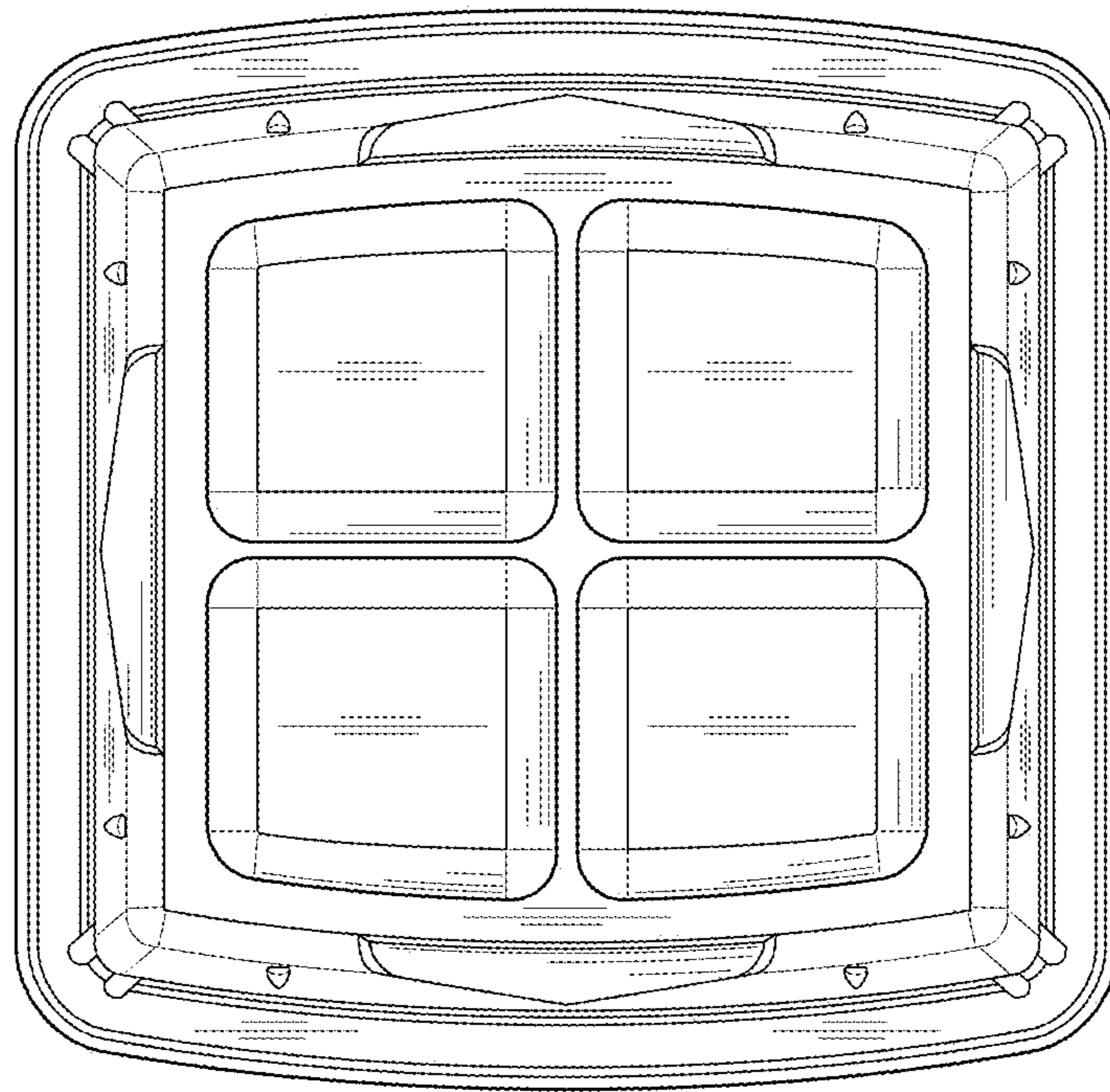


FIG. 7