



US00D978615S

(12) **United States Design Patent**
Mock et al.

(10) **Patent No.:** **US D978,615 S**
(45) **Date of Patent:** **** Feb. 21, 2023**

(54) **CITRUS REAMER ACCESSORY FOR A BLENDER**

B02C 4/42; B02C 4/142; B02C 4/143;
B02C 4/423; B02C 13/1835; B28C 5/10;
B28C

(71) Applicant: **WHIRLPOOL CORPORATION**,
Benton Harbor, MI (US)

(Continued)

(72) Inventors: **Brandon T. Mock**, St. Joseph, MI
(US); **Aaron McNabb Evans**, St.
Joseph, MI (US)

(56)

References Cited

U.S. PATENT DOCUMENTS

2,677,947 A 5/1954 Van Guilder
D225,792 S 1/1973 Fritsche et al.

(Continued)

(73) Assignee: **Whirlpool Corporation**, Benton
Harbor, MI (US)

OTHER PUBLICATIONS

(**) Term: **15 Years**

Homeleader Electric Citrus Juicer. Date First Available on Amazon.
com May 19, 2021. <https://www.amazon.com/dp/B095CCTBP9/ref>
(Year: 2021).*

(21) Appl. No.: **29/847,754**

Primary Examiner — Ricky Pham

(22) Filed: **Jul. 27, 2022**

(74) *Attorney, Agent, or Firm* — Price Heneveld LLP

Related U.S. Application Data

(63) Continuation of application No. 29/819,610, filed on
Dec. 16, 2021, now Pat. No. Des. 959,196, which is
a continuation of application No. 29/799,780, filed on
Jul. 16, 2021, now Pat. No. Des. 940,504, which is a
continuation of application No. 29/767,898, filed on
(Continued)

(57)

CLAIM

We claim the ornamental design for a citrus reamer acces-
sory for a blender, as shown and described.

(51) **LOC (14) Cl.** **31-00**

DESCRIPTION

(52) **U.S. Cl.**

USPC **D7/412**; D7/376; D7/378; D7/413

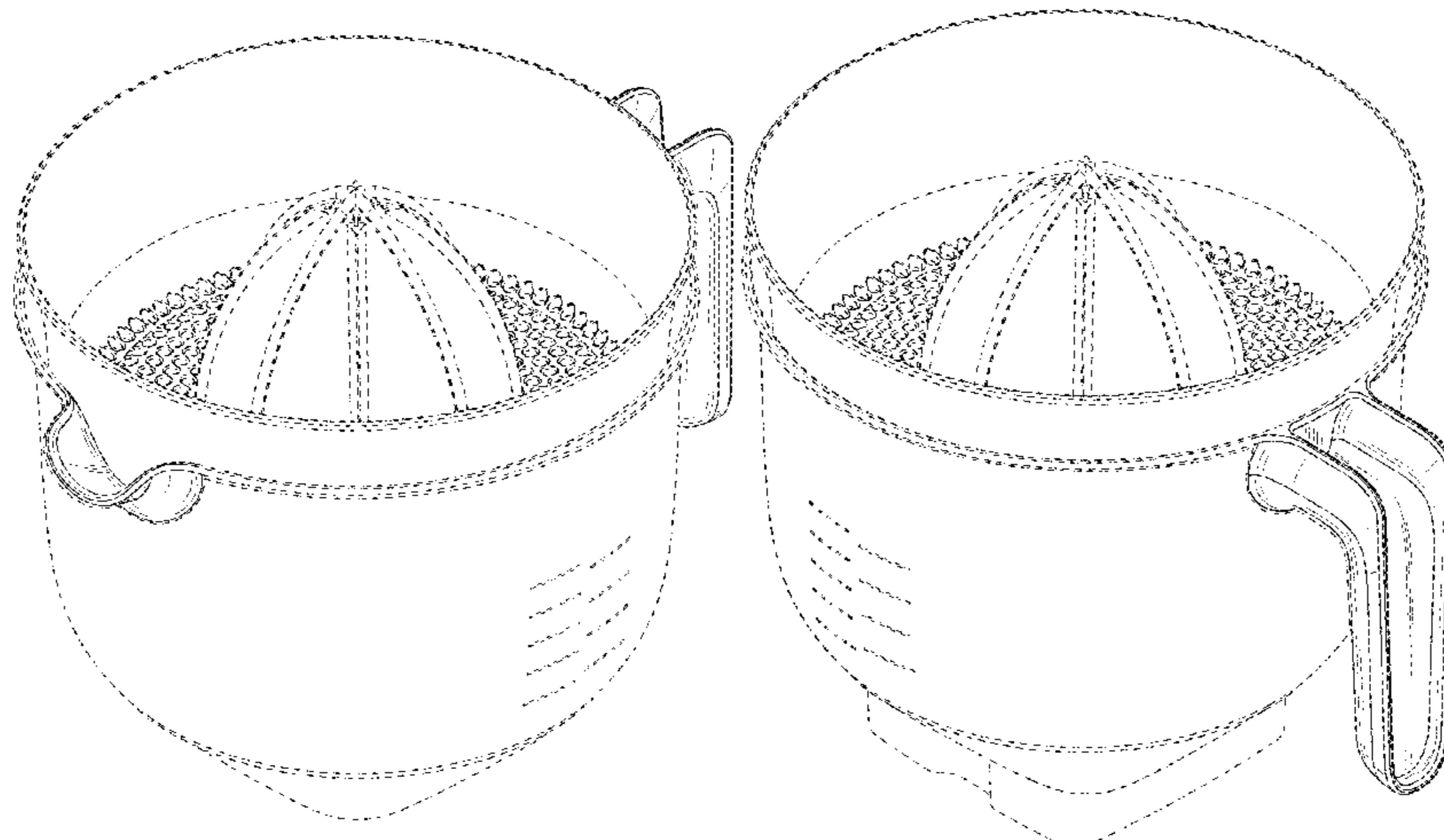
(58) **Field of Classification Search**

USPC D7/319, 372, 376–386, 393, 412–413,
D7/533, 543, 586, 602, 622, 629,
D7/665–666, 669, 679, 691–694

CPC A21C 1/02; A21C 1/04; A23N 1/00; A23N
1/02; A47J 19/023; A47J 43/04; A47J
43/25; A47J 43/27; A47J 43/042; A47J
43/044; A47J 43/046; A47J 43/075; A47J
43/0722; A47J 43/0727; B01F 3/00; B01F
3/0807; B01F 3/0853; B01F 13/0059;
B01F 13/0064; B02C 1/08; B02C 2/04;

FIG. 1 is a front perspective view of a citrus reamer
accessory for a blender of the present disclosure;
FIG. 2 is a rear perspective view of the citrus reamer
accessory of FIG. 1;
FIG. 3 is a front elevational view of the citrus reamer
accessory of FIG. 1;
FIG. 4 is a rear elevational view of the citrus reamer
accessory of FIG. 1;
FIG. 5 is a first side elevational view of the citrus reamer
accessory of FIG. 1;
FIG. 6 is a second side elevational view of the citrus reamer
accessory of FIG. 1;
FIG. 7 is a top plan view of the citrus reamer accessory of
FIG. 1; and,
FIG. 8 is a bottom plan view of the citrus reamer accessory
of FIG. 1.

(Continued)



The broken lines depict portions of the article that form no part of the claimed design.

1 Claim, 8 Drawing Sheets

Related U.S. Application Data

Jan. 26, 2021, now Pat. No. Des. 925,283, which is a continuation of application No. 29/718,098, filed on Dec. 20, 2019, now Pat. No. Des. 909,133.

(58) **Field of Classification Search**

CPC ... 5/12; B28C 5/14; B28C 5/16; G01F 19/002
See application file for complete search history.

(56) **References Cited**

U.S. PATENT DOCUMENTS

D251,405 S	3/1979	Ackeret	
D279,157 S *	6/1985	Gecchelin	D7/665
D283,002 S	3/1986	Daenen	
D283,193 S	4/1986	Daenen	
D293,291 S *	12/1987	Hansen	D7/533
D379,744 S	6/1997	Thackray	
D383,646 S	9/1997	Jeppesen et al.	
D387,610 S	12/1997	Hippen et al.	
D407,954 S	4/1999	Lehn	
D437,188 S *	2/2001	Thackray	D7/665
D442,437 S *	5/2001	Wright	D7/543
D465,386 S	11/2002	Wang et al.	
D499,604 S	12/2004	Hooper et al.	
D565,357 S	4/2008	Chan	
D598,713 S	8/2009	Luft	
D613,134 S *	4/2010	McRorie, III	G01F 19/002 D7/691

D646,524 S	10/2011	Kortleven	
D653,902 S	2/2012	Chen	
D660,186 S	5/2012	Williams et al.	
D668,915 S	10/2012	Drees	
D673,426 S	1/2013	Heiberg et al.	
D678,727 S	3/2013	Kolar	
D702,487 S	4/2014	Gillette et al.	
D712,702 S	9/2014	Stamper et al.	
9,095,169 B1	8/2015	Foley et al.	
D737,619 S	9/2015	Cornu et al.	
9,220,372 B2	12/2015	Benoit et al.	
D753,951 S	4/2016	Cornu et al.	
D772,643 S	11/2016	Bazzicalupo et al.	
D805,359 S	12/2017	Kim et al.	
D812,984 S *	3/2018	Seiders	D7/622
D824,213 S	7/2018	Abrell	
D836,409 S	12/2018	Silsby et al.	
D859,918 S	9/2019	Saubert et al.	
D865,437 S	11/2019	Steiner et al.	
D869,226 S	12/2019	Saubert et al.	
D869,238 S	12/2019	Saubert et al.	
D871,832 S	1/2020	Marina et al.	
D878,167 S	3/2020	XiangZe	
D903,434 S	12/2020	Chen	
D905,508 S	12/2020	Krus	
D909,133 S	2/2021	Mock et al.	
D925,283 S	7/2021	Mock et al.	
D925,980 S	7/2021	McConnell et al.	
D940,504 S	1/2022	Mock et al.	
D959,196 S *	8/2022	Mock	D7/378
D959,910 S *	8/2022	McConnell	D7/378
2003/0005832 A1	1/2003	Wang et al.	
2007/0125244 A1	6/2007	Hensel	
2007/0272091 A1	11/2007	Hsien	
2010/0084370 A1	4/2010	Ranzoni	
2010/0208548 A1	8/2010	Hemelgarn et al.	

* cited by examiner

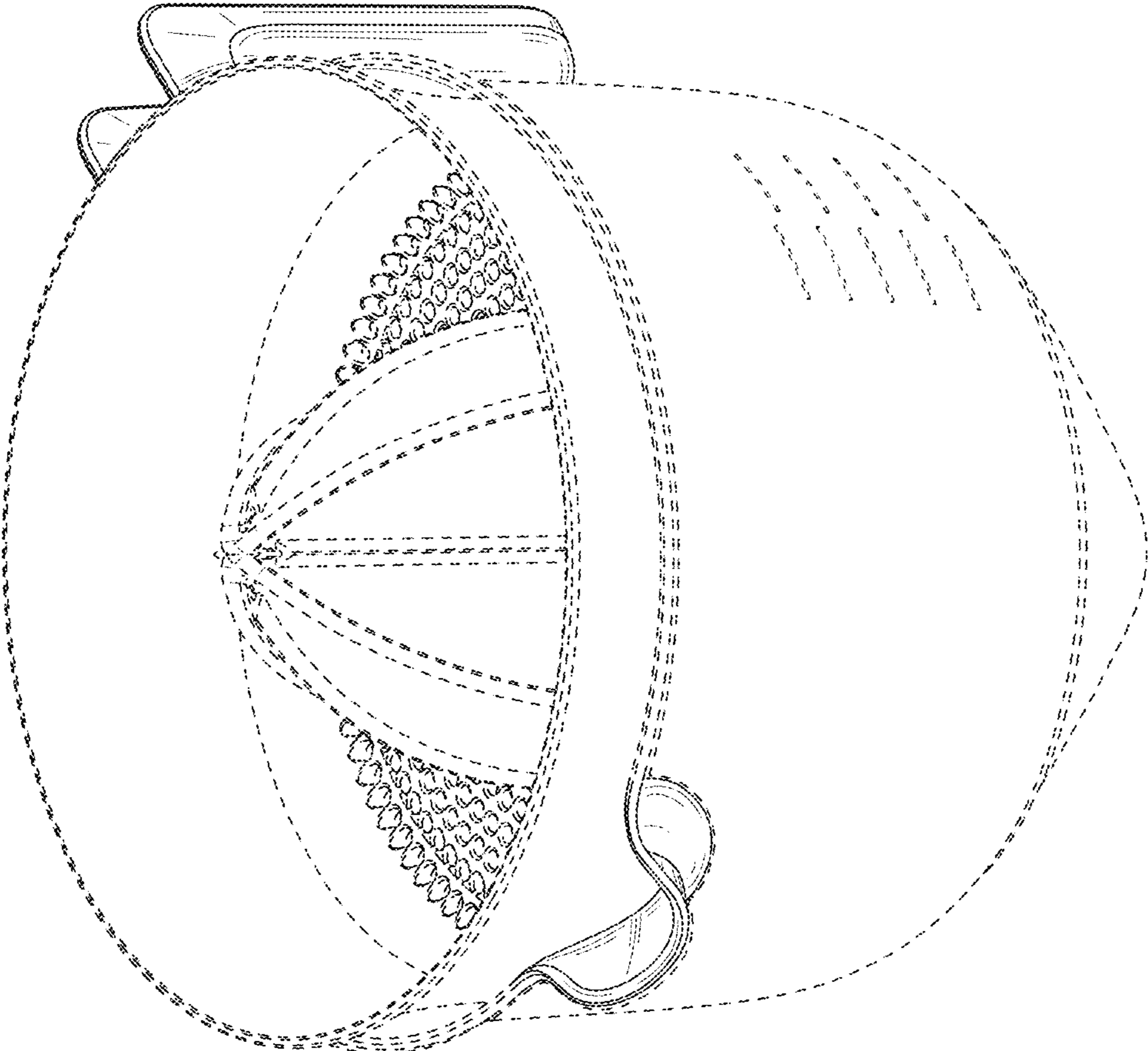


FIG. 1

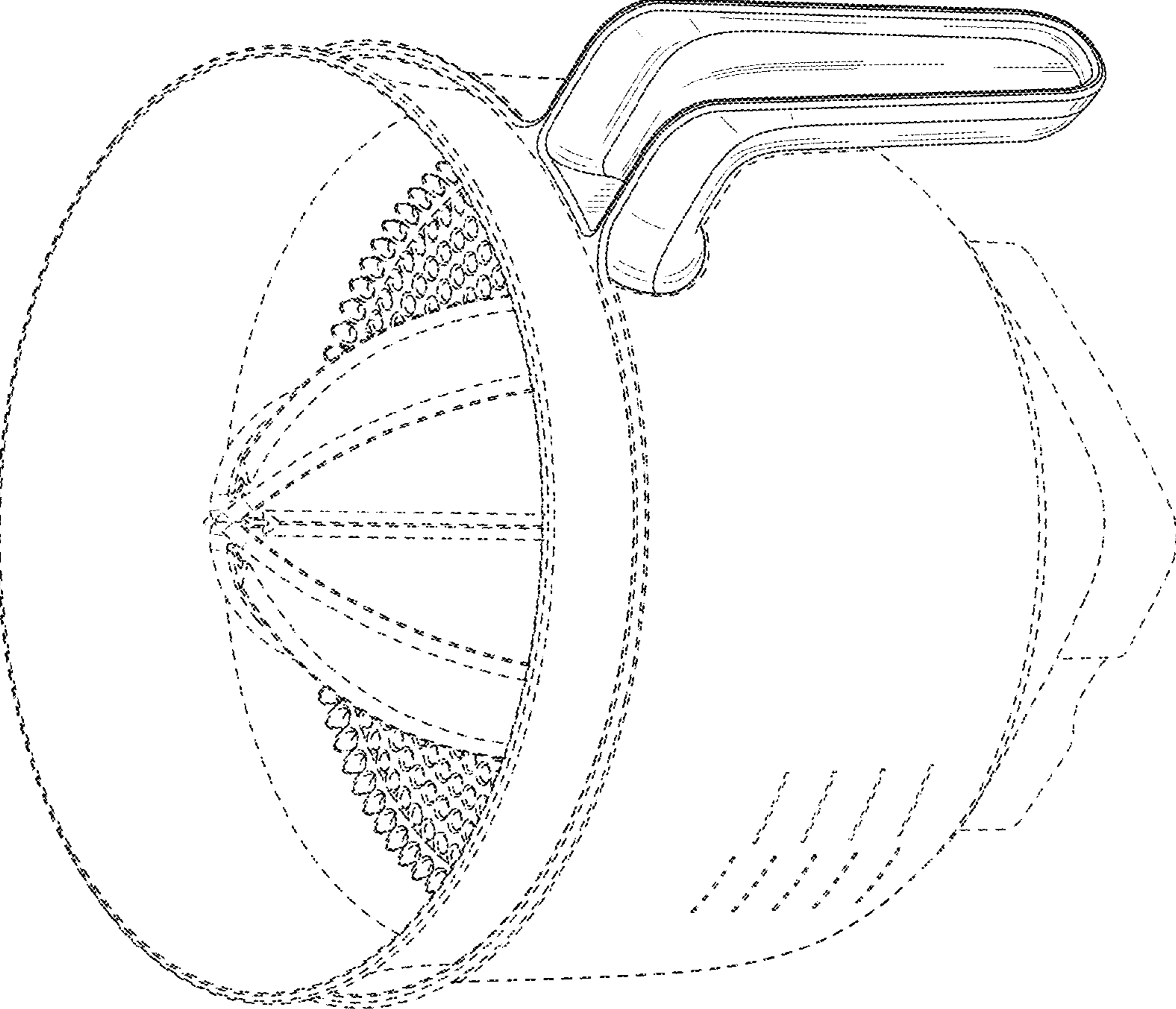


FIG. 2

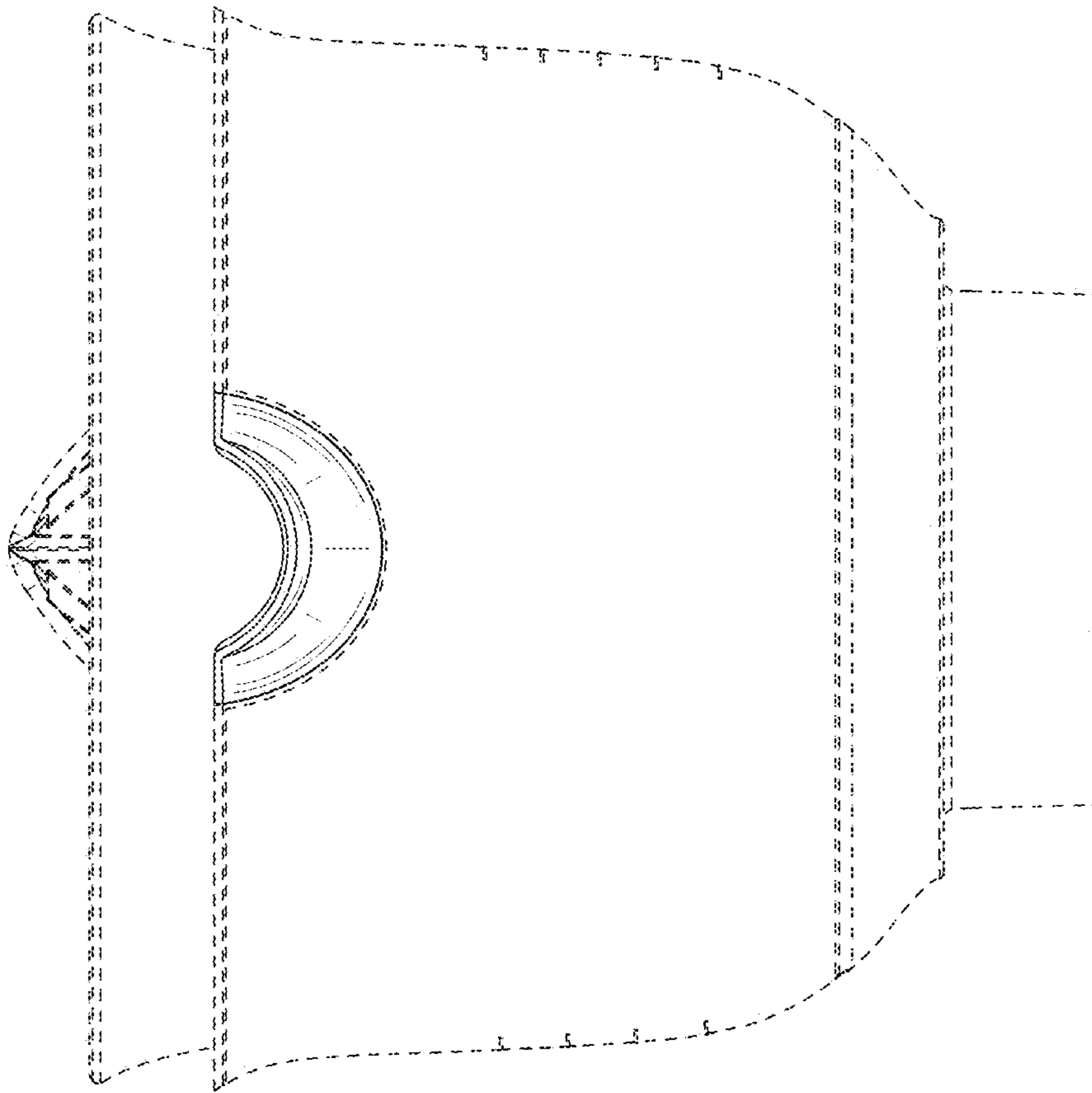


FIG. 3

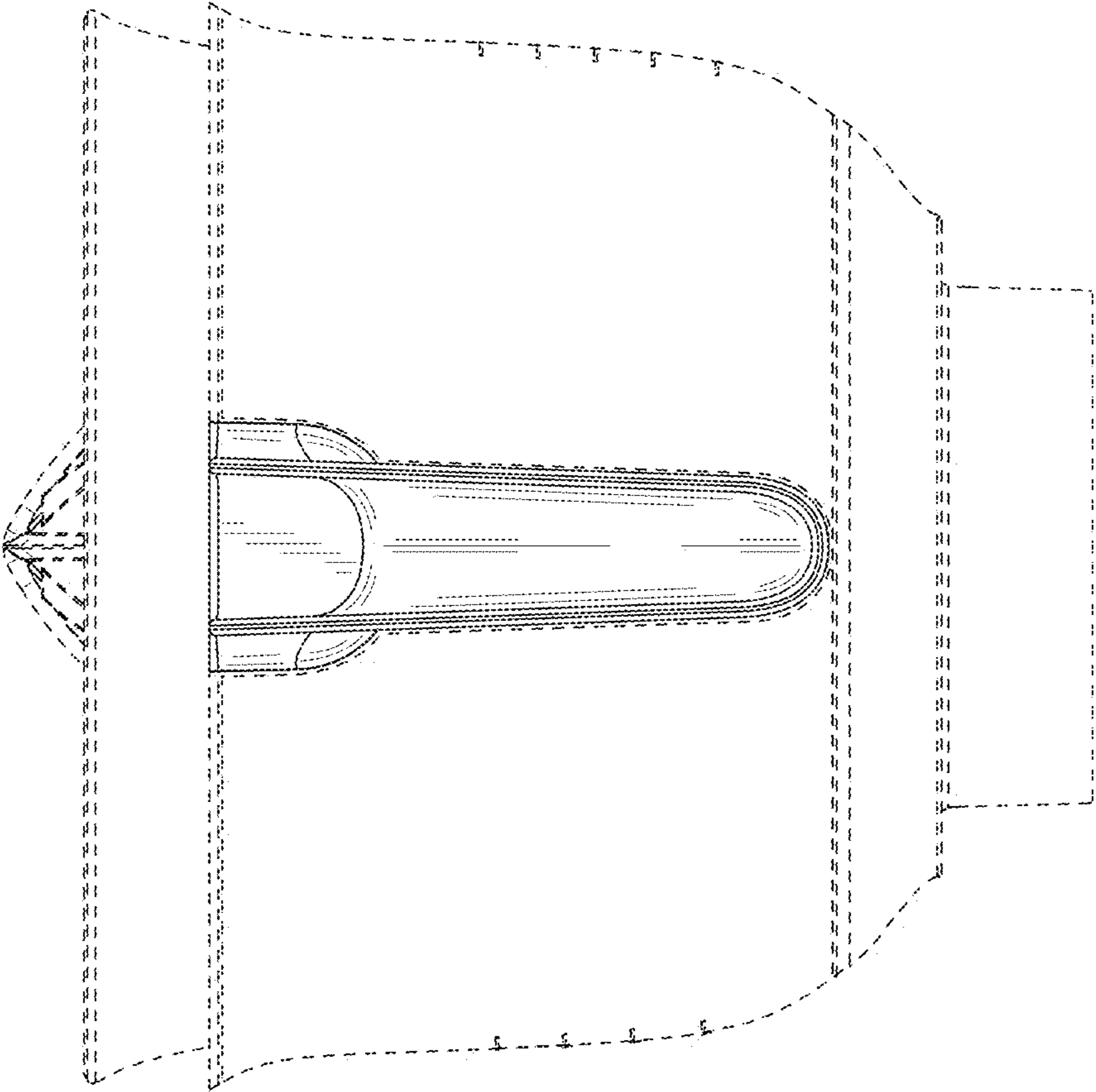


FIG. 4

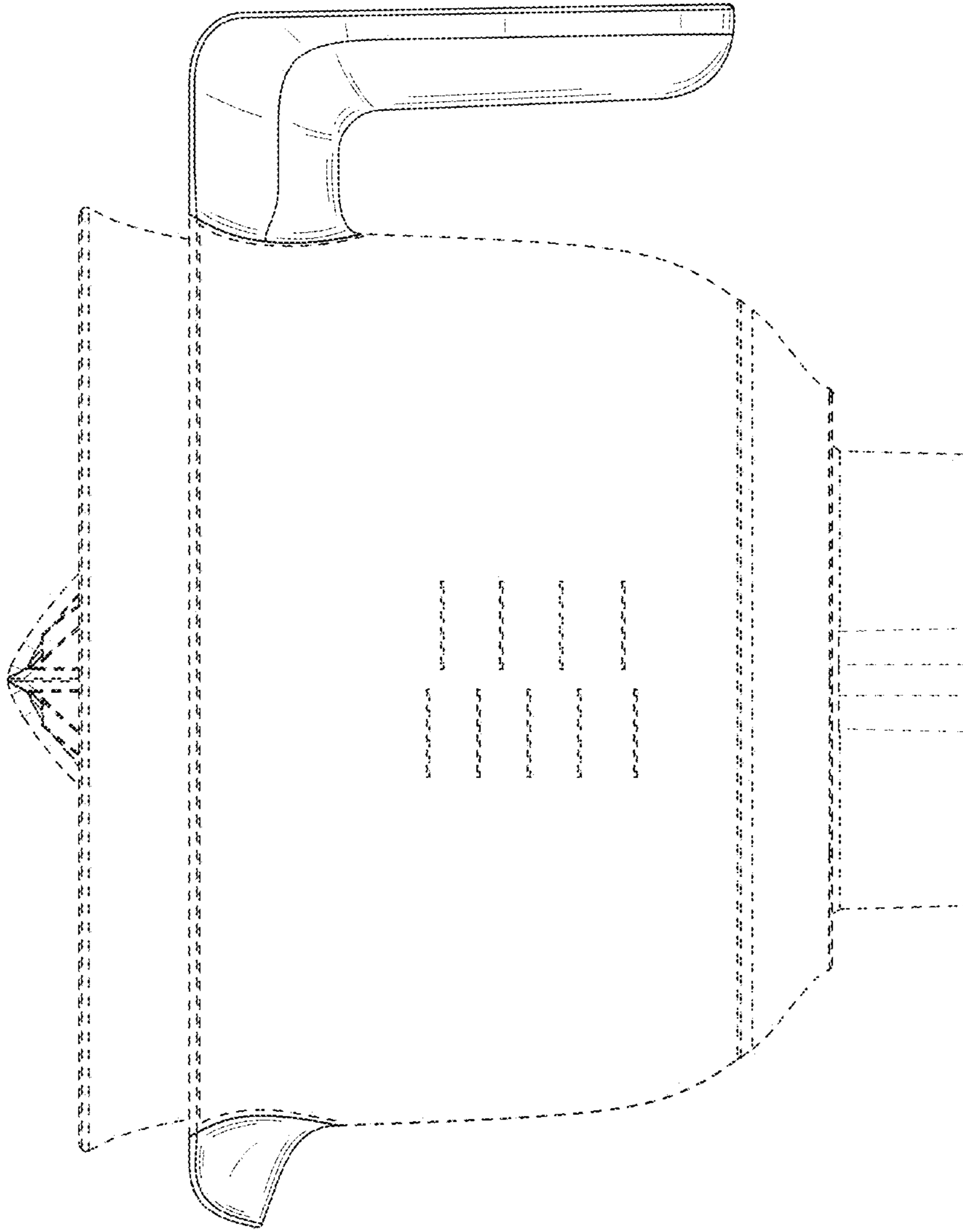


FIG. 5

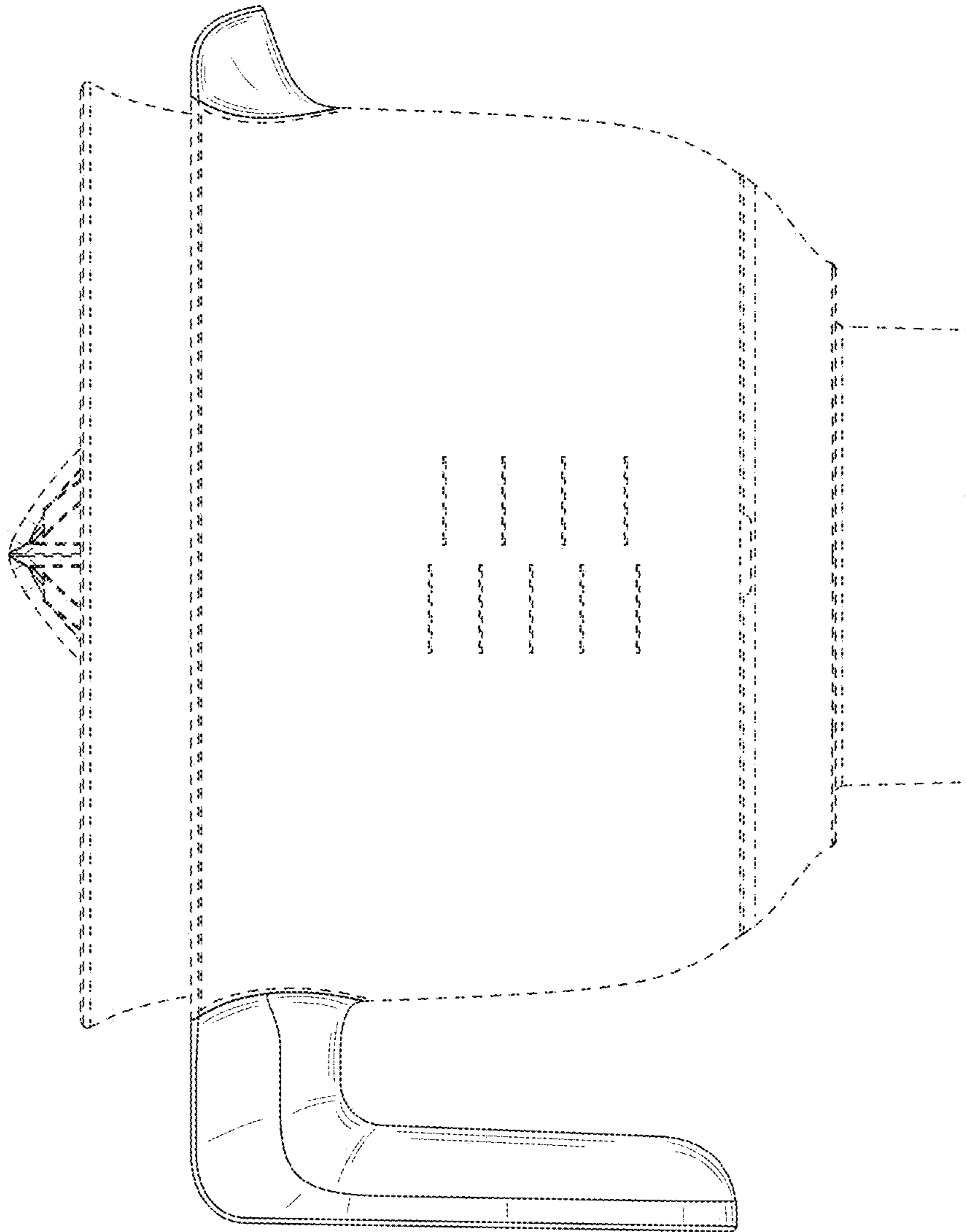


FIG. 6

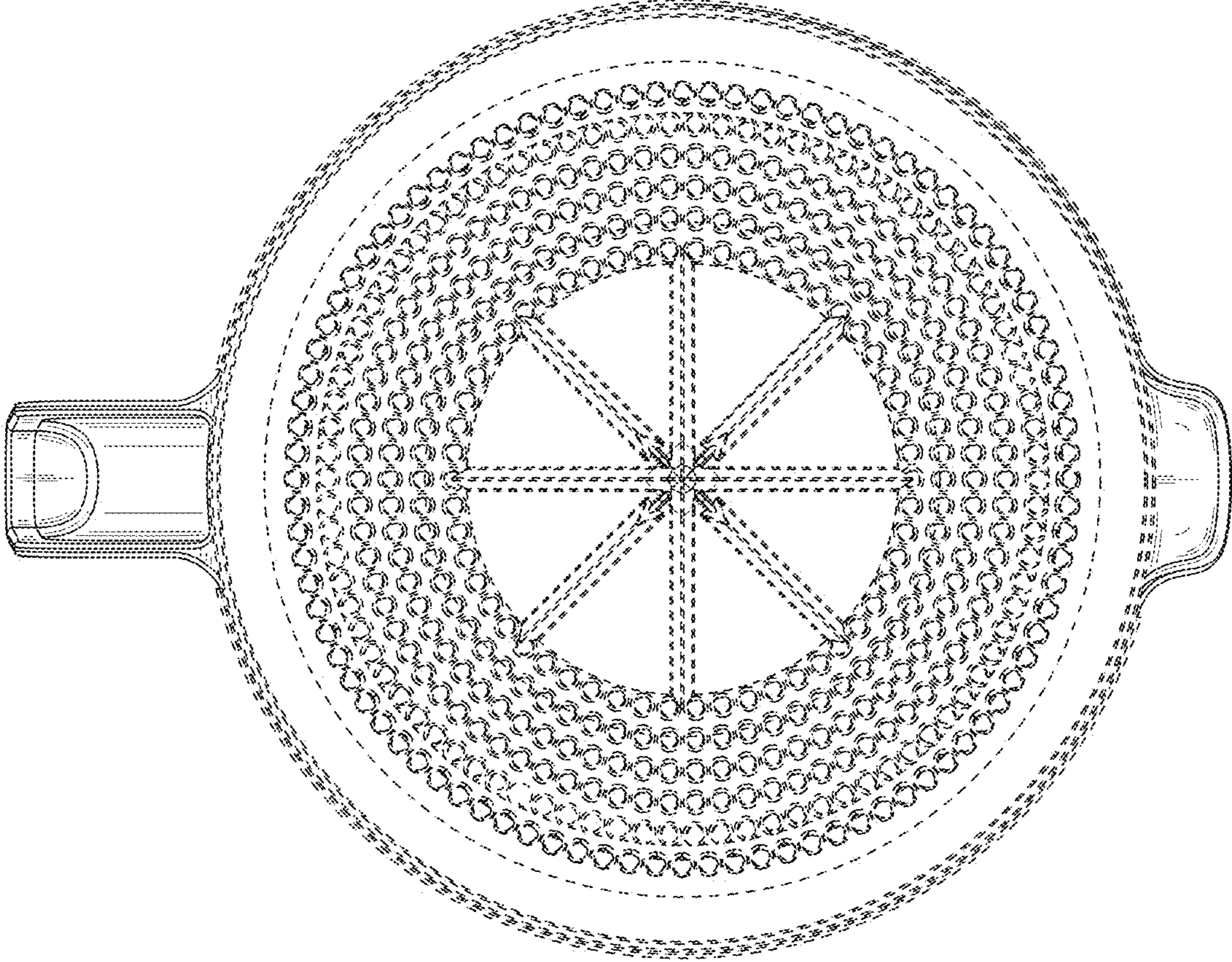


FIG. 7

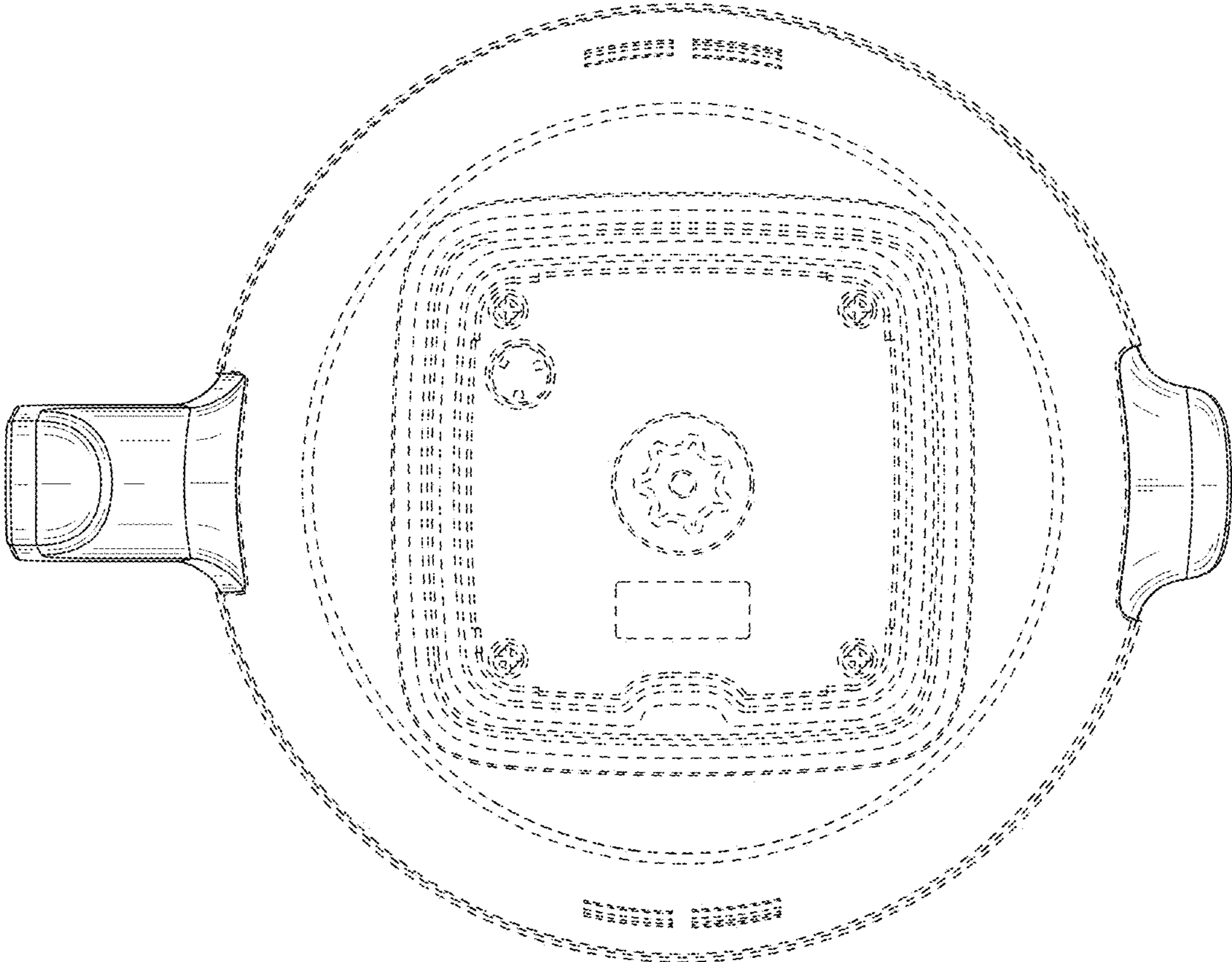


FIG. 8