



US00D978613S

(12) **United States Design Patent** (10) **Patent No.:** **US D978,613 S**  
**Lin** (45) **Date of Patent:** **\*\* \*Feb. 21, 2023**

(54) **CONTROL PANEL FOR AIR FRYER**

(71) Applicant: **Jinlong Lin**, Shenzhen (CN)

(72) Inventor: **Jinlong Lin**, Shenzhen (CN)

(\*) Notice: This patent is subject to a terminal disclaimer.

(\*\*) Term: **15 Years**

(21) Appl. No.: **29/771,692**

(22) Filed: **Feb. 24, 2021**

(51) **LOC (14) Cl.** ..... **07-02**

(52) **U.S. Cl.**  
USPC ..... **D7/406**

(58) **Field of Classification Search**  
USPC ..... D7/354, 361, 372, 376-386, 402, 405,  
D7/412-413, 602, 629, 665-666, 669,  
D7/406; D15/7; D10/21, 22, 30, 31, 38;  
D14/168, 170, 171, 217, 221, 238.1, 257,  
D14/188; D16/201-217; D26/51, 54;  
D24/110

CPC .. A47J 27/00; A47J 36/00; A47J 36/24; A47J  
37/00; A47J 37/12; A47J 37/1209; G04B  
19/00; G04B 37/00; G04B 37/0008;  
G04B 45/0069

See application file for complete search history.

(56) **References Cited**

**U.S. PATENT DOCUMENTS**

|              |         |         |       |         |
|--------------|---------|---------|-------|---------|
| D231,356 S * | 4/1974  | Kurz    | ..... | D23/393 |
| D241,977 S * | 10/1976 | Makino  | ..... | D14/171 |
| D261,765 S * | 11/1981 | Mishiro | ..... | D10/15  |
| D296,786 S * | 7/1988  | Baskin  | ..... | D10/2   |
| D334,930 S * | 4/1993  | Collins | ..... | D14/168 |
| D360,368 S * | 7/1995  | Pickett | ..... | D10/15  |
| D430,112 S * | 8/2000  | Krick   | ..... | D13/162 |
| D514,383 S * | 2/2006  | Vetter  | ..... | D7/406  |
| D552,595 S * | 10/2007 | Viduya  | ..... | D14/205 |
| D648,227 S * | 11/2011 | Grotell | ..... | D10/31  |

|                |         |            |       |           |
|----------------|---------|------------|-------|-----------|
| D708,316 S *   | 7/2014  | Bertinetti | ..... | D24/110   |
| D719,532 S *   | 12/2014 | Wu         | ..... | D13/162   |
| D773,941 S *   | 12/2016 | Holzer     | ..... | D10/22    |
| D779,341 S *   | 2/2017  | Poandl     | ..... | D10/2     |
| D791,443 S *   | 7/2017  | Zenoff     | ..... | D2/841    |
| 9,715,218 B2 * | 7/2017  | Ashkenazi  | ..... | G04G 9/08 |
| D819,193 S *   | 5/2018  | Bertinetti | ..... | D24/110   |
| D823,456 S *   | 7/2018  | Lacy       | ..... | D24/111   |
| D827,471 S *   | 9/2018  | Mikogami   | ..... | D10/108   |
| D833,411 S *   | 11/2018 | Castle     | ..... | D14/155   |
| D847,112 S *   | 4/2019  | Castle     | ..... | D14/155   |
| D862,561 S *   | 10/2019 | Pritikin   | ..... | D16/214   |
| D888,580 S *   | 6/2020  | Cheung     | ..... | D10/7     |
| D891,849 S *   | 8/2020  | Yang       | ..... | D7/354    |
| D907,001 S *   | 1/2021  | Kim        | ..... | D14/171   |
| D912,533 S *   | 3/2021  | Yu         | ..... | D10/15    |

(Continued)

**OTHER PUBLICATIONS**

USCEE alarm clock | posted at Amazon.com posted on May 30, 2019, © 1996-2021 Amazon.com, [online], [site visited Nov. 18, 2021]. Available from Internet, <URL: <https://www.amazon.com/USCCE-Alarm-Clock-Brightness-Sounds/dp/B07SH6JNXN/>> (Year: 2019).\*

(Continued)

*Primary Examiner* — Andrew Kerr

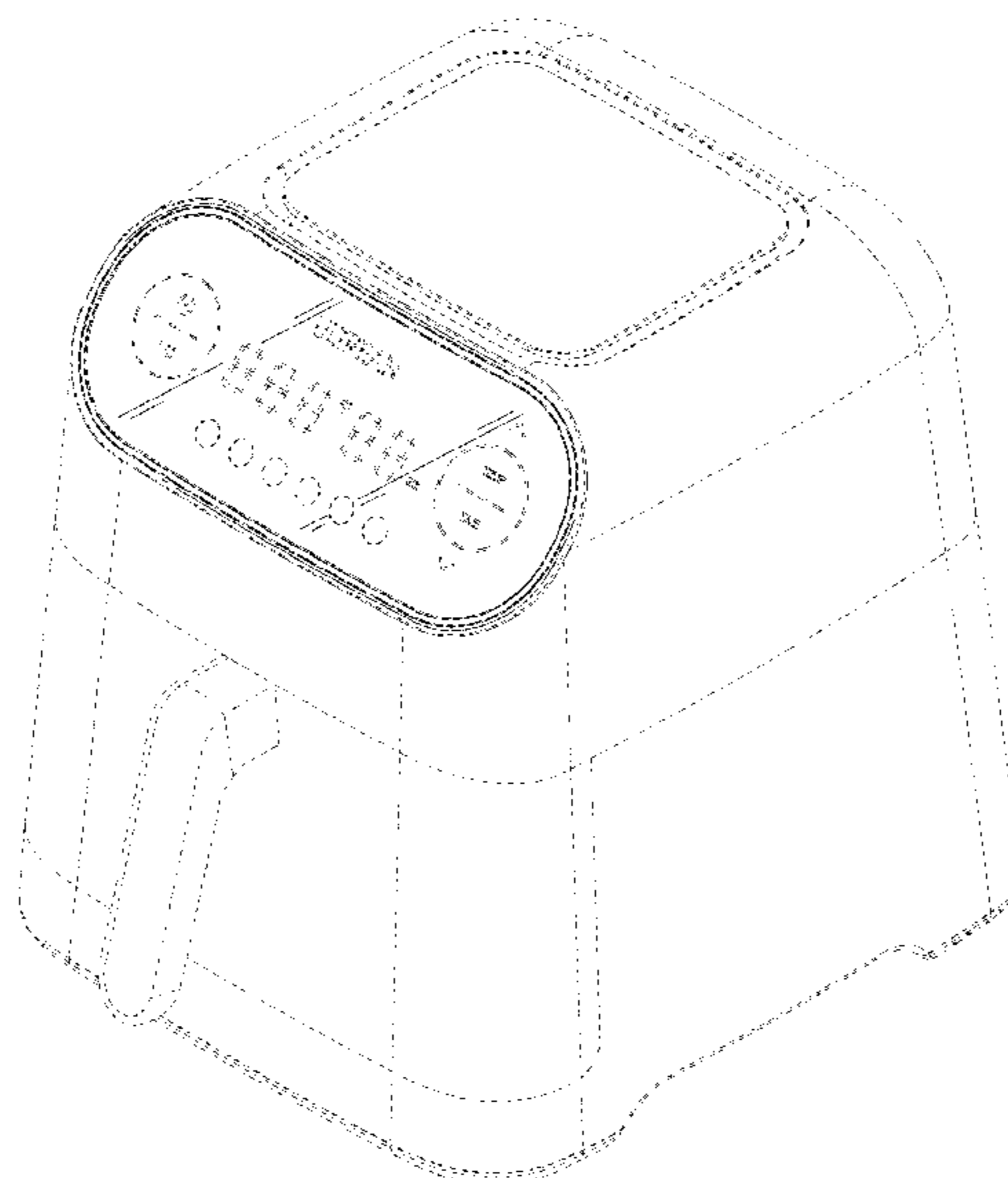
(57) **CLAIM**

The ornamental design for a control panel for air fryer, as shown and described.

**DESCRIPTION**

FIG. 1 is a front, right side perspective view of a control panel for air fryer showing my new design; FIG. 2 is a front, left side perspective view thereof; and, FIG. 3 is a front view thereof. The broken lines in the drawing views depict portions and environmental structure of the control panel for air fryer that form no part of the claimed design.

**1 Claim, 3 Drawing Sheets**



(56)

**References Cited**

U.S. PATENT DOCUMENTS

D923,077 S \* 6/2021 Pritikin ..... D16/214  
D923,386 S \* 6/2021 Lin ..... D7/354  
D929,241 S \* 8/2021 Yu ..... D10/2  
D934,021 S \* 10/2021 Luo ..... D7/354  
2013/0008440 A1\* 1/2013 Maurer ..... A61M 16/109  
128/203.12  
2014/0355806 A1\* 12/2014 Graff ..... H04R 1/02  
381/334  
2016/0250410 A1\* 9/2016 Traversaz ..... A61M 5/14216  
604/152

OTHER PUBLICATIONS

USCEE Alarm clock | posted at Amazon.com, posted on May 30, 2019, © 1996-2022 Amazon.com, [online], [site visited Mar. 1, 2022]. Available from Internet, <URL: <https://www.amazon.com/USCCE-Alarm-Clock-Brightness-Sounds/dp/B07SH6JNXN/>> (Year: 2019).\*

\* cited by examiner

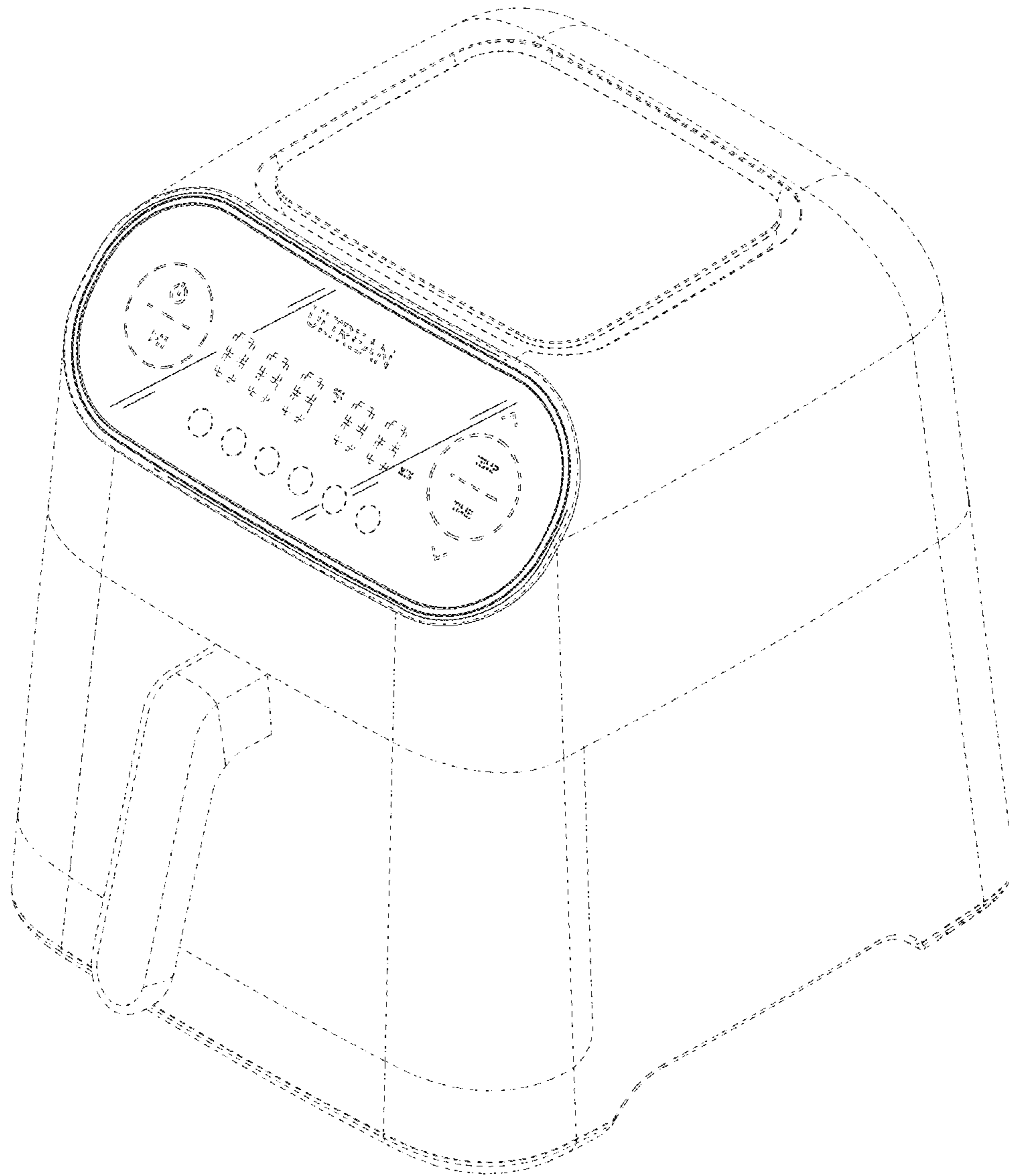


FIG. 1

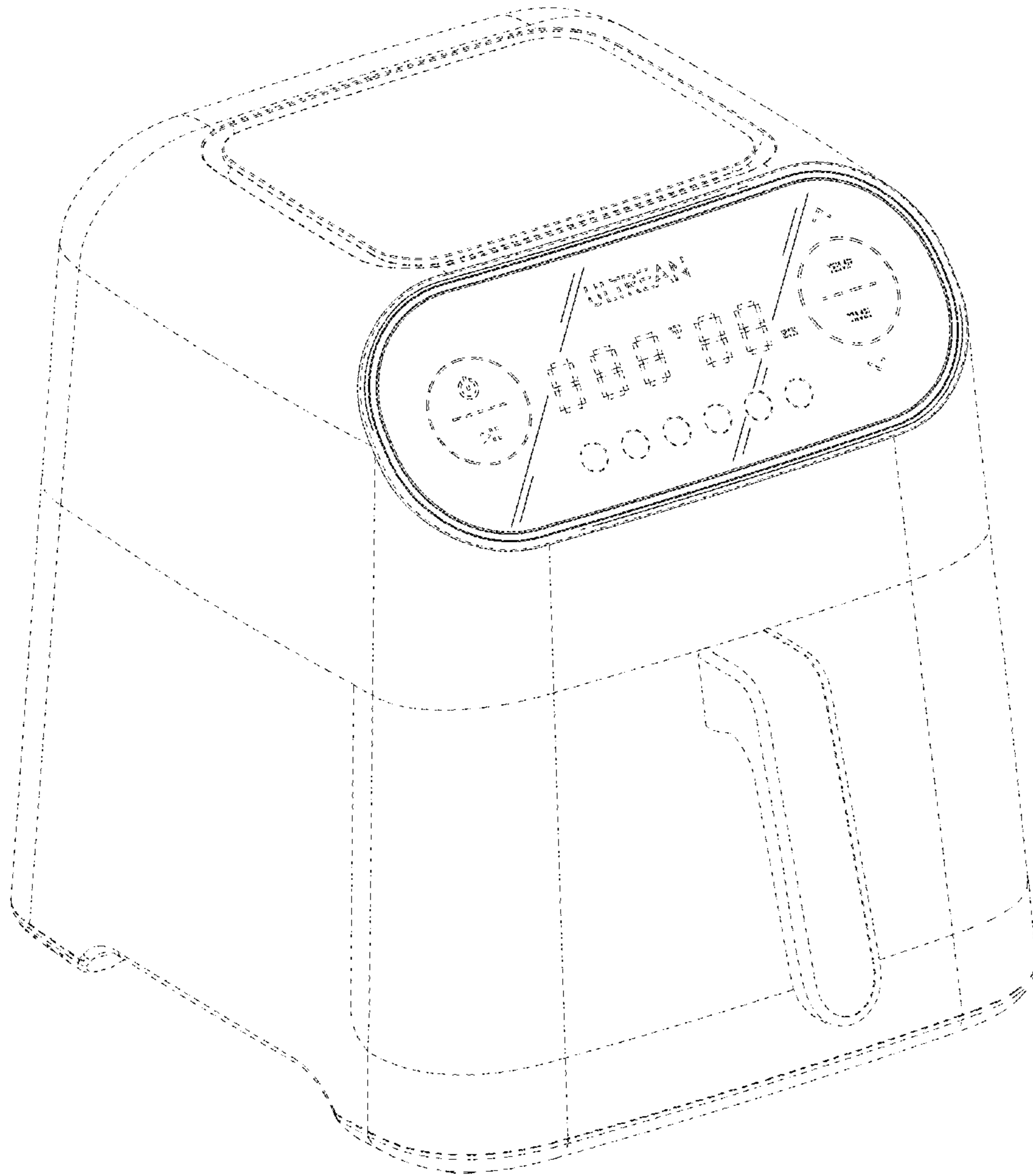


FIG. 2

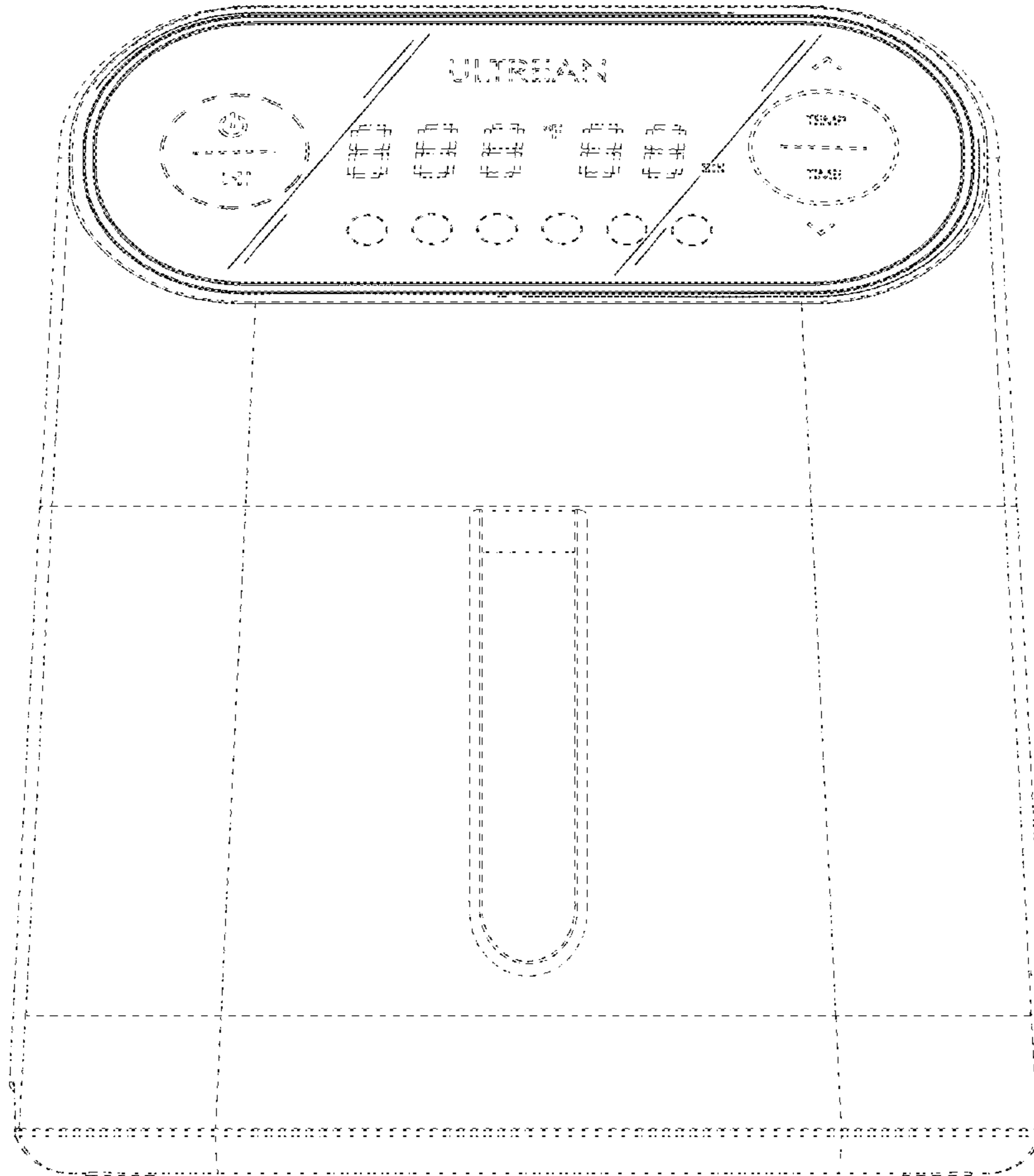


FIG. 3