

US00D978612S

(12) **United States Design Patent**  
**Meda**

(10) **Patent No.:** **US D978,612 S**

(45) **Date of Patent:** **\*\* Feb. 21, 2023**

- (54) **COOKTOP COVER**
- (71) Applicant: **Dometic Sweden AB**, Solna (SE)
- (72) Inventor: **Samuele Meda**, Chichester (GB)
- (73) Assignee: **Dometic Sweden AB**, Solna (SE)
- (\*\*) Term: **15 Years**

- D392,501 S 3/1998 Ashcraft
- D392,502 S 3/1998 Ashcraft
- D393,567 S 4/1998 Ashcraft
- D393,774 S 4/1998 Ashcraft
- 5,931,151 A 8/1999 Van Dore
- D460,320 S 7/2002 Becker et al.
- D468,964 S 1/2003 Becker et al.
- D479,781 S 9/2003 Pottenger

(Continued)

- (21) Appl. No.: **29/848,376**
- (22) Filed: **Aug. 2, 2022**

**FOREIGN PATENT DOCUMENTS**

- AU 201612736 6/2016
- AU 201612737 6/2016

(Continued)

**Related U.S. Application Data**

- (63) Continuation of application No. 29/749,252, filed on Sep. 3, 2020, now Pat. No. Des. 959,902.
- (51) **LOC (14) Cl.** ..... **07-02**
- (52) **U.S. Cl.**  
USPC ..... **D7/405**
- (58) **Field of Classification Search**  
USPC ..... D7/402-409, 332-337, 339-341,  
D7/346-349, 352, 354-355, 362-363,  
D7/338; D6/552; D23/372; D15/89  
CPC ..... F24C 15/16; F24C 15/12; F24C 15/10;  
F24C 7/083; F24C 3/082; F24C 3/085;  
A47J 37/07; A47J 37/0704  
See application file for complete search history.

**OTHER PUBLICATIONS**

- Dometic 2016 Product Catalog—Cooking (2016).
- (Continued)

*Primary Examiner* — Nicole C Shiflet  
(74) *Attorney, Agent, or Firm* — Dinsmore & Shohl LLP

(57) **CLAIM**

The ornamental design for a cooktop cover, as shown and described.

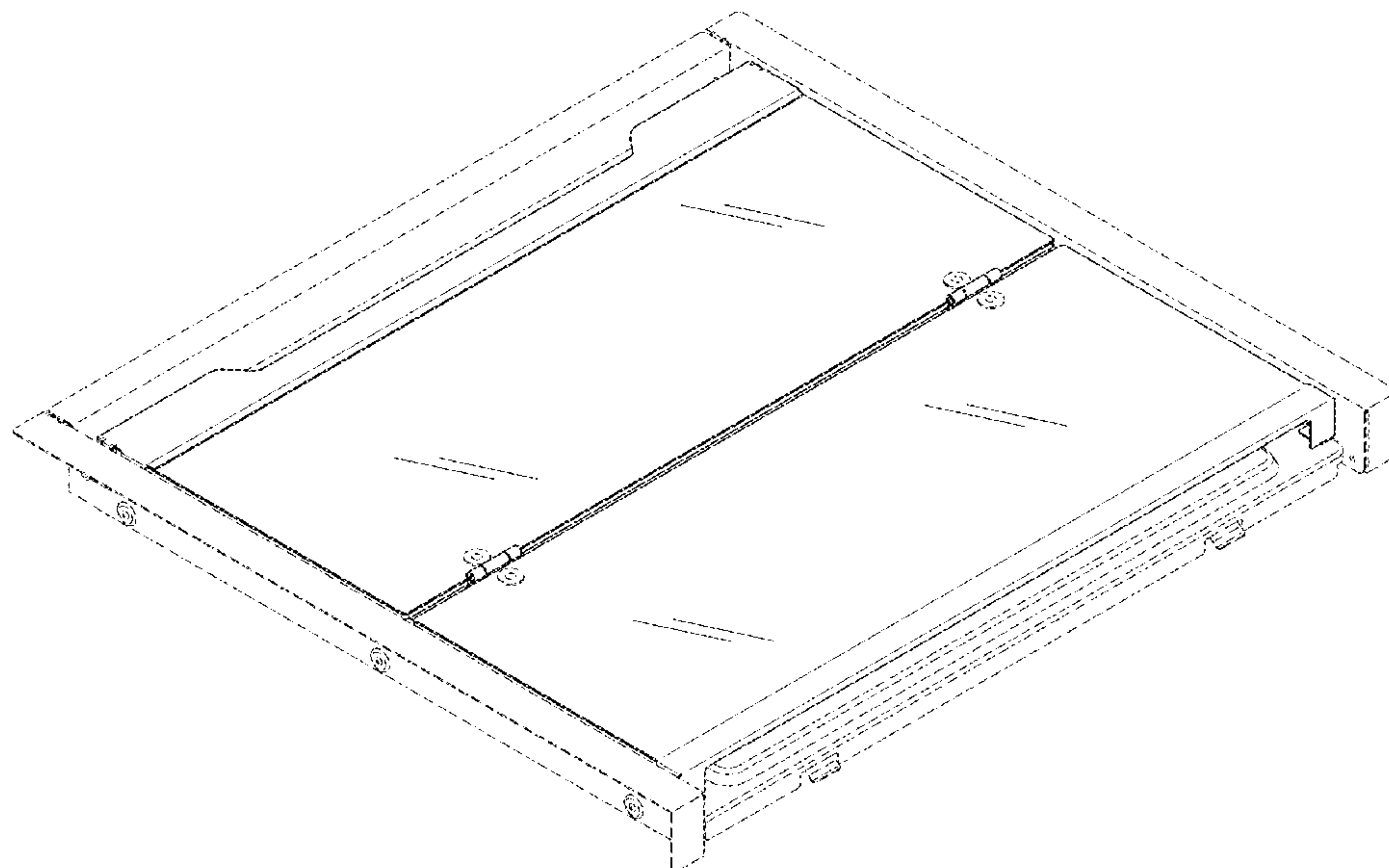
**DESCRIPTION**

FIG. 1 is an upper perspective view of a cooktop cover; FIG. 2 a front view of the cooktop cover of FIG. 1; FIG. 3 is a rear view of the cooktop cover of FIG. 1; FIG. 4 is a top view of the cooktop cover of FIG. 1; FIG. 5 is a first side view of the cooktop cover of FIG. 1; and, FIG. 6 is a second side view of the cooktop cover of FIG. 1. The broken lines shown in the drawings are included for the purpose of illustrating the unclaimed portions of the cooktop cover. The broken lines form no part of the claimed design.

(56) **References Cited**  
**U.S. PATENT DOCUMENTS**

- 2,350,074 A \* 5/1944 Smallen ..... F24C 15/12  
126/214 R
- 2,696,812 A \* 12/1954 Merritt, Jr. .... F24C 15/12  
126/332
- 3,059,632 A \* 10/1962 Rogers ..... F24C 15/12  
126/214 R
- 5,403,183 A 4/1995 Andersson
- D367,802 S 3/1996 Lewis et al.
- D372,630 S 8/1996 Lewis et al.

**1 Claim, 4 Drawing Sheets**



(56)

References Cited

FOREIGN PATENT DOCUMENTS

U.S. PATENT DOCUMENTS

D479,942 S 9/2003 Pottenger  
 D480,261 S 10/2003 Pottenger  
 D486,690 S 2/2004 Becker et al.  
 6,712,605 B2 3/2004 Moresco  
 D577,806 S \* 9/2008 Grey ..... D23/372  
 D594,276 S 6/2009 Hamlin  
 D599,608 S 9/2009 Grumm  
 D613,117 S 4/2010 Richburg  
 D618,503 S 6/2010 Baacke  
 D628,015 S 11/2010 Baacke  
 D690,555 S \* 10/2013 Feltner ..... D7/406  
 D697,756 S 1/2014 Segers et al.  
 D704,508 S 5/2014 Nordwall  
 D710,148 S 8/2014 Mainville  
 D755,564 S 5/2016 Lee  
 D782,863 S 4/2017 Kamper et al.  
 D784,077 S 4/2017 Zemel  
 D793,162 S 8/2017 Hamlin  
 D804,245 S 12/2017 Segers et al.  
 D810,493 S 2/2018 Harrell  
 D835,462 S 12/2018 Kamper et al.  
 D839,038 S 1/2019 Bell  
 D847,566 S 5/2019 Kamper et al.  
 D851,439 S 6/2019 Harrell  
 D851,440 S 6/2019 Berge  
 D851,978 S 6/2019 Bell  
 D851,979 S 6/2019 Bell  
 D851,990 S 6/2019 Bell  
 D854,589 S \* 7/2019 Lee ..... D15/89  
 10,345,027 B1 7/2019 Lundqvist  
 D862,163 S 10/2019 Jung  
 D870,505 S 12/2019 Chevalier  
 D871,824 S 1/2020 Chevalier  
 D872,516 S 1/2020 Bell  
 D873,062 S 1/2020 Bell  
 10,527,292 B2 1/2020 Bell  
 D874,209 S 2/2020 Harrell  
 D893,238 S 8/2020 Bell  
 D894,663 S 9/2020 Harrell  
 D896,018 S 9/2020 Harrell  
 D896,584 S 9/2020 Harrell  
 10,775,049 B2 9/2020 Bell  
 D897,769 S 10/2020 Harrell  
 D907,951 S 1/2021 Bell  
 D920,027 S 5/2021 Harrell  
 11,029,032 B2 6/2021 Harrell  
 D924,003 S 7/2021 Harrell et al.  
 D931,048 S 9/2021 Knöll  
 D959,902 S \* 8/2022 Meda ..... D7/405  
 2005/0095547 A1 5/2005 Pottenger  
 2010/0192933 A1 8/2010 Andersson  
 2018/0156468 A1 6/2018 Bell  
 2019/0346150 A1 11/2019 Bell  
 2019/0346151 A1 11/2019 Bell  
 2020/0171996 A1 6/2020 Chevalier

AU 201612738 6/2016  
 AU 201612739 6/2016  
 AU 201612740 6/2016  
 AU 201612742 6/2016  
 AU 201612745 6/2016  
 AU 201612747 6/2016  
 AU 201612749 6/2016  
 AU 201612751 6/2016  
 AU 201713974 7/2017  
 AU 201713975 7/2017  
 AU 201716395 11/2017  
 AU 201716396 11/2017  
 AU 201915177 10/2019  
 AU 201915179 10/2019  
 AU 201915180 10/2019  
 AU 201915181 10/2019  
 AU 201915182 10/2019  
 AU 2018288433 2/2020  
 CN 1461395 12/2003  
 CN 101677717 3/2010  
 CN 110785318 2/2020  
 CN 305638873 3/2020  
 CN 305659107 3/2020  
 CN 305721501 4/2020  
 CN 305721502 4/2020  
 CN 305749061 5/2020  
 DE 4103048 8/1992  
 DE 4103049 8/1992  
 DE 4307073 9/1994  
 DE 19500263 7/1996  
 DE 69219319 8/1997  
 DE 29708207 9/1997  
 DE 19917488 11/2000  
 DE 10053679 5/2002  
 DE 60228219 9/2008  
 DE 102008044898 6/2019  
 DE 112018003148 4/2020  
 EP 1377779 8/2008  
 EP 2227658 9/2010  
 EP 2341294 2/2017  
 EP 3438548 2/2019  
 WO 2008058566 5/2008  
 WO 2009014487 1/2009  
 WO 2015009224 1/2015  
 WO 2018234979 12/2018

OTHER PUBLICATIONS

Design U.S. Appl. No. 29/749,252, filed Sep. 3, 2020 titled Cooktop Cover.  
 Design U.S. Appl. No. 29/749,253, filed Sep. 3, 2020 titled Stove Grate.  
 Design U.S. Appl. No. 29/715,462, filed Dec. 2, 2019 titled Stove Grate.  
 Ex Parte Quayle Action Issued in U.S. Appl. No. 29/749,253 mailed on Jan. 14, 2022.

\* cited by examiner

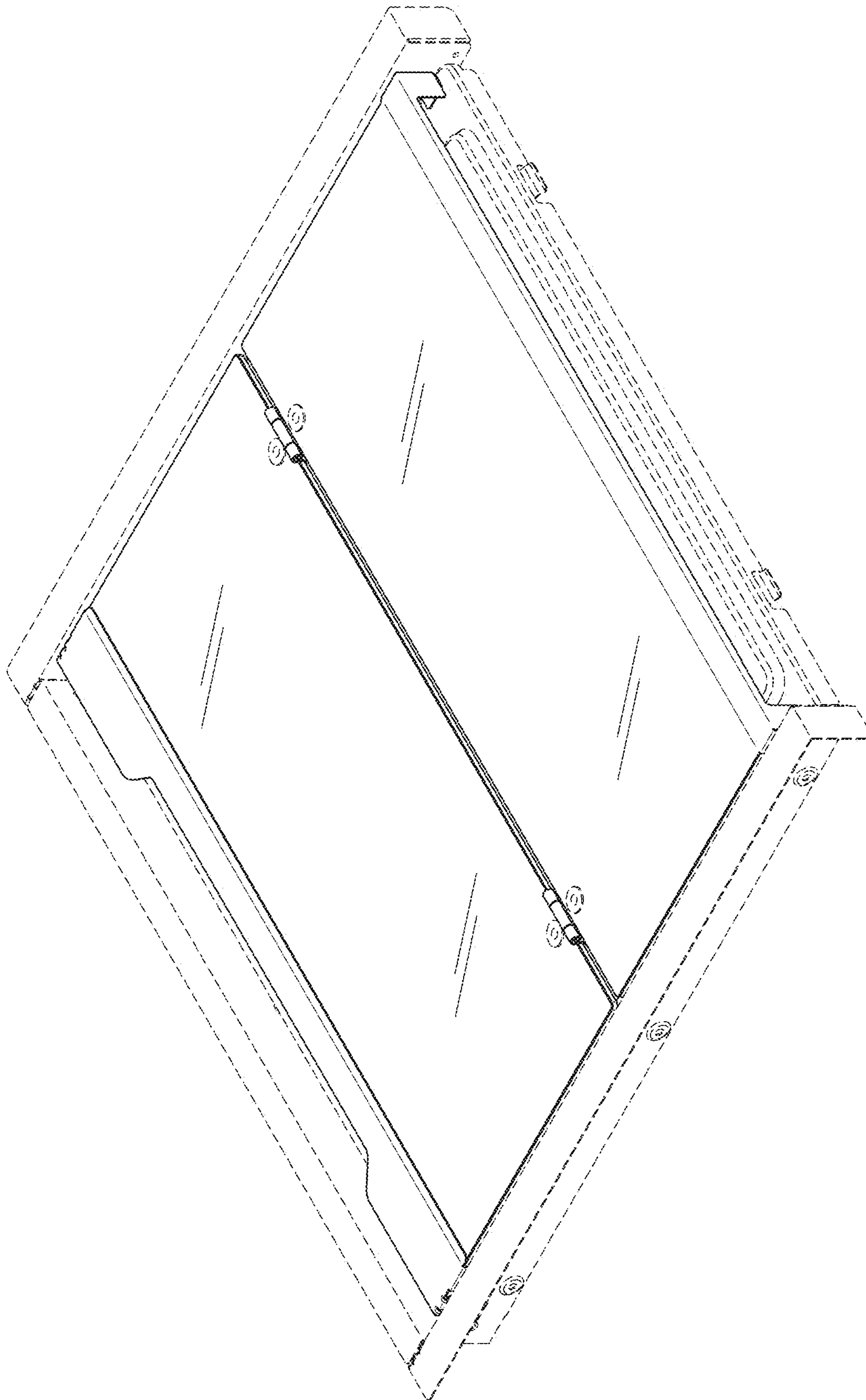


FIG. 1



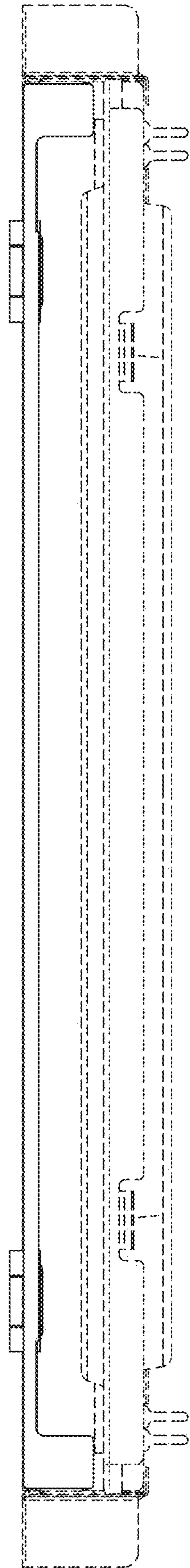


FIG. 2

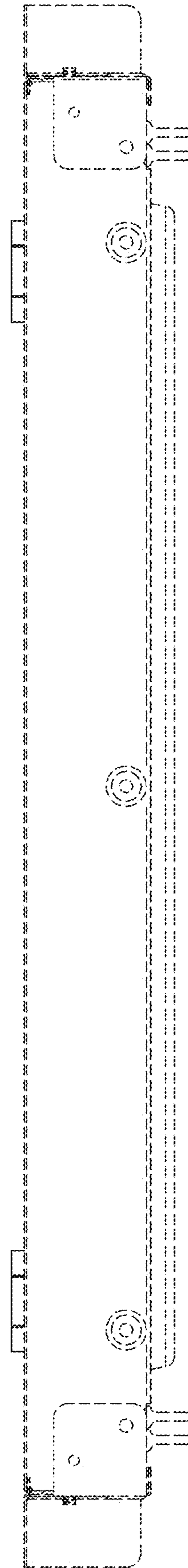


FIG. 3

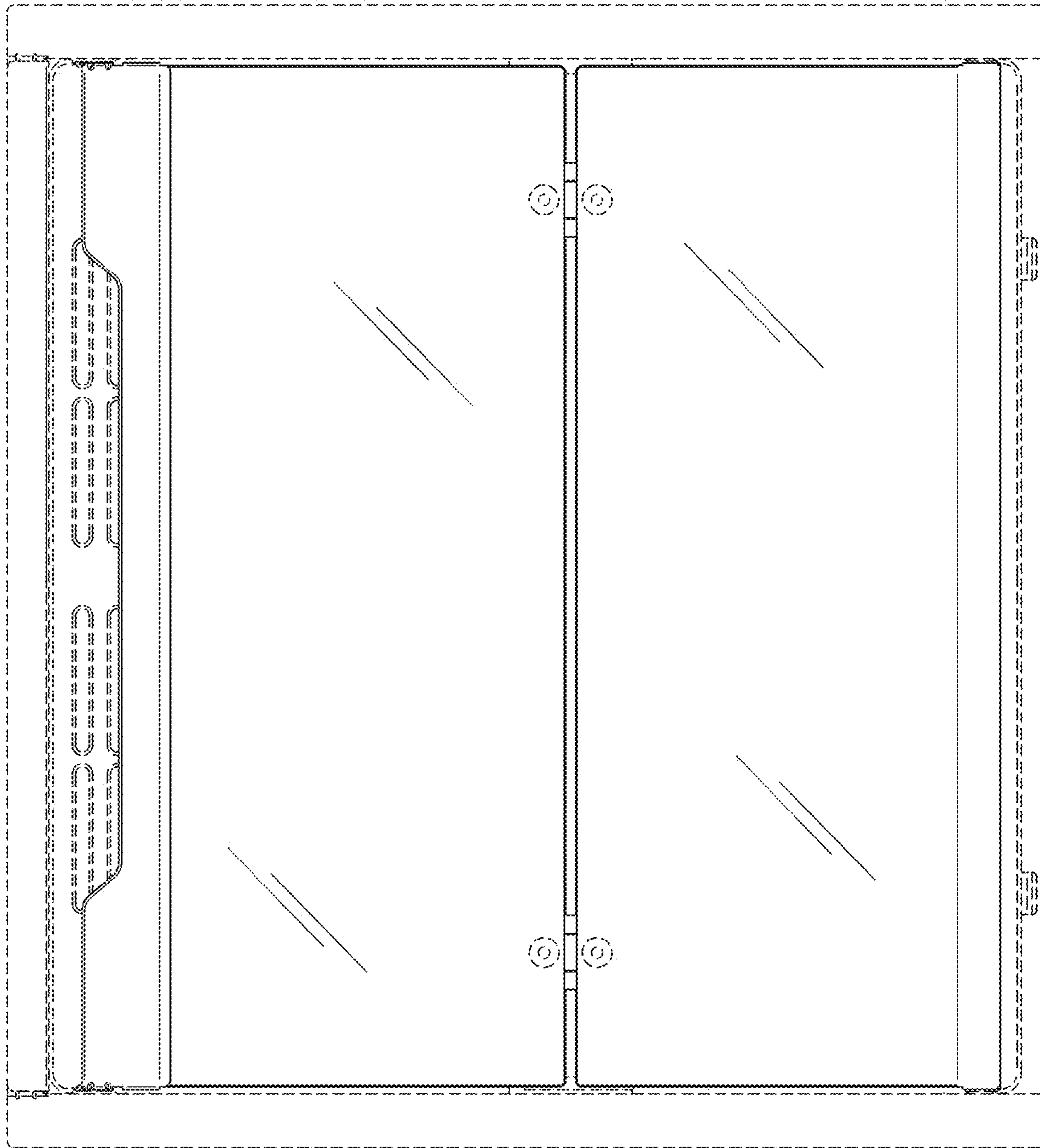


FIG. 4

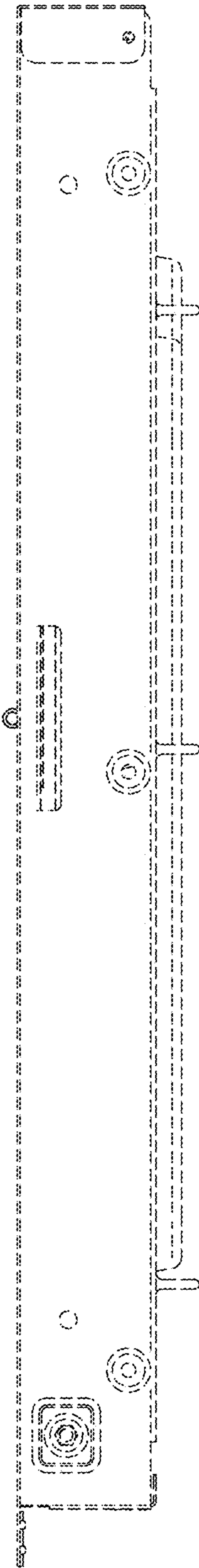


FIG. 5

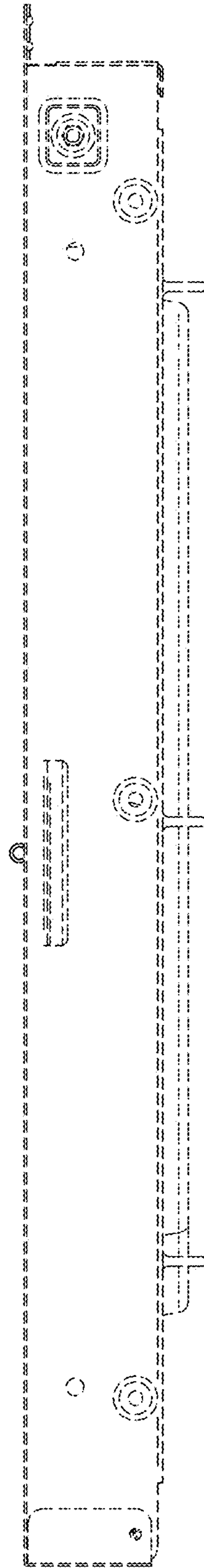


FIG. 6