



US00D978610S

(12) **United States Design Patent** (10) **Patent No.:** **US D978,610 S**  
**Birdwell et al.** (45) **Date of Patent:** **\*\* Feb. 21, 2023**

(54) **TEA INFUSER**  
(71) Applicant: **Real Value LLC**, Moore, OK (US)  
(72) Inventors: **Ben Birdwell**, Oklahoma City, OK (US); **Nathaniel Haskins**, Redding, CA (US)  
(73) Assignee: **Real Value LLC**, Moore, OK (US)

D717,594 S \* 11/2014 Taketani ..... D7/400  
D723,868 S \* 3/2015 Hertaus ..... D7/400  
D747,140 S \* 1/2016 Roth ..... D23/209  
D764,864 S \* 8/2016 Hertaus ..... D7/400  
9,439,531 B1 \* 9/2016 Bornt ..... A47J 31/02  
D771,434 S \* 11/2016 Burrows ..... D7/400  
D815,895 S \* 4/2018 Roth ..... D23/209  
D820,638 S \* 6/2018 Chitayat ..... D7/400  
D867,816 S \* 11/2019 Kovalevski ..... A47J 31/02  
D7/400

(Continued)

(\*\*) Term: **15 Years**

**OTHER PUBLICATIONS**

(21) Appl. No.: **29/777,470**  
(22) Filed: **Apr. 6, 2021**  
(51) **LOC (14) Cl.** ..... **07-06**  
(52) **U.S. Cl.**  
USPC ..... **D7/400**  
(58) **Field of Classification Search**  
USPC ..... D7/399, 400, 667; D9/416, 428, 425,  
D9/429; D23/209, 365; D24/221;  
D32/31  
CPC ..... A47J 31/44; A47J 47/16; A47J 31/0673;  
A47J 31/368; A47J 31/3695; A47J 31/18;  
A47J 31/41; B65D 85/8061; B65D  
85/8046  
See application file for complete search history.

Simple Modern Tea Infuser. Amazon.com. First available date: Dec. 15, 2021. Retrieved from the internet Sep. 29, 2022<<https://www.amazon.com/Simple-Modern-Infuser-Reusable-Strainer/dp/B09NP3TVKN> (Year: 2021).\*

(Continued)

*Primary Examiner* — Joseph Kukella  
*Assistant Examiner* — Darryl J Dardenne  
(74) *Attorney, Agent, or Firm* — Hall Estill Law Firm

(57) **CLAIM**

The ornamental design for a tea infuser, as shown and described.

(56) **References Cited**

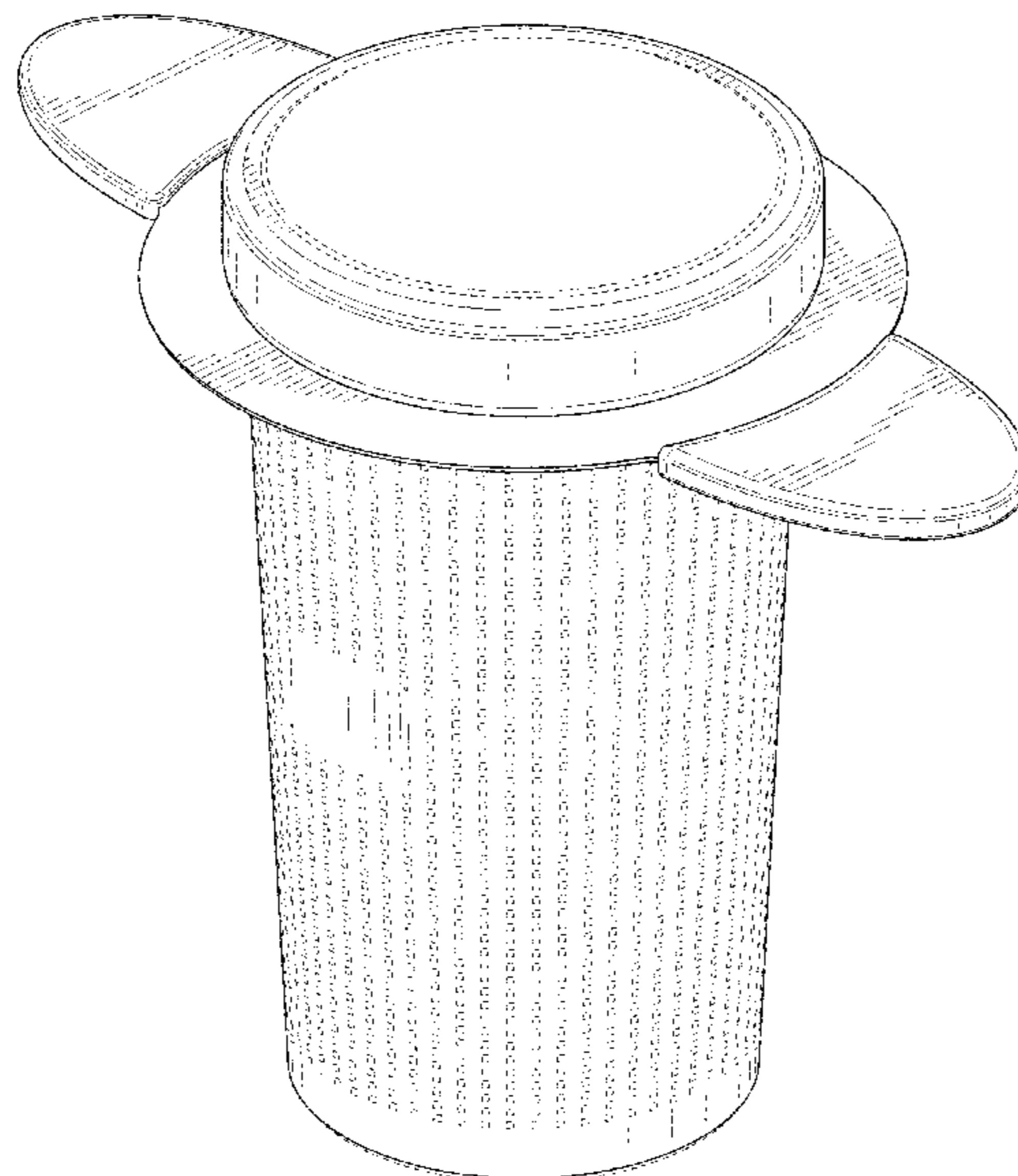
**DESCRIPTION**

**U.S. PATENT DOCUMENTS**

D396,603 S \* 8/1998 Gasser ..... A47J 31/18  
D7/400  
D495,105 S \* 8/2004 Baldinger ..... A47J 31/08  
D32/30  
D495,458 S \* 8/2004 Baldinger ..... D32/30  
D563,161 S \* 3/2008 Bodum ..... D7/400  
D565,350 S \* 4/2008 Gauger ..... D7/400  
D567,020 S \* 4/2008 Bodum ..... D7/400  
D569,176 S \* 5/2008 Bodum ..... D7/400  
D644,072 S \* 8/2011 McDonald ..... D7/667  
D691,418 S \* 10/2013 Minton ..... D7/400  
D709,322 S \* 7/2014 Ross ..... D7/400

FIG. 1 is a top, perspective view showing a first embodiment of a new design for a tea infuser.  
FIG. 2 is a front view of the tea infuser of FIG. 1.  
FIG. 3 is a rear view of the tea infuser of FIG. 1.  
FIG. 4 is a right side view of the tea infuser of FIG. 1. of which the left side is a mirror image.  
FIG. 5 is a top view of the tea infuser of FIG. 1; and,  
FIG. 6 is a bottom view of the tea infuser of FIG. 1.  
In the drawings, the broken lines depict environmental subject matter only and form no part of the claimed design.

**1 Claim, 6 Drawing Sheets**



(56)

**References Cited**

U.S. PATENT DOCUMENTS

D869,901	S	*	12/2019	Huang	.....	D7/400
D879,242	S	*	3/2020	Trunner	.....	D23/209
D899,182	S	*	10/2020	Brown	.....	D7/400
D902,651	S	*	11/2020	Lee	.....	D7/400
D911,402	S	*	2/2021	Prymula	.....	D15/144.1
D927,250	S	*	8/2021	Kruger	.....	D7/400
D950,008	S	*	4/2022	Grover	.....	A47K 13/26 D23/208
2007/0101870	A1	*	5/2007	Liu	.....	A47J 31/18 99/495
2009/0202691	A1	*	8/2009	Gauger	.....	A47J 31/20 210/473
2010/0047419	A1	*	2/2010	Boul	.....	A47J 31/08 426/433
2014/0124435	A1	*	5/2014	Jackson	.....	A47J 31/0689 210/473

OTHER PUBLICATIONS

OXO Tea Infuser Basket, Amazon.com. First available date: Aug. 13, 2018 Retrieved from the internet Sep. 29, 2022<<https://www.amazon.com/OXO-BREW-Tea-Infuser-Basket/dp/B07GF4WYGT/> (Year: 2018).\*

Yoassi Tea Infuser, Amazon.com. First available date: Sep. 7, 2016 Retrieved from the internet Sep. 29, 2022<<https://www.amazon.com/Yoassi-Extra-Fine-Approved-Stainless/dp/B01LQ7NQTW/?th=1> (Year: 2016).\*

\* cited by examiner

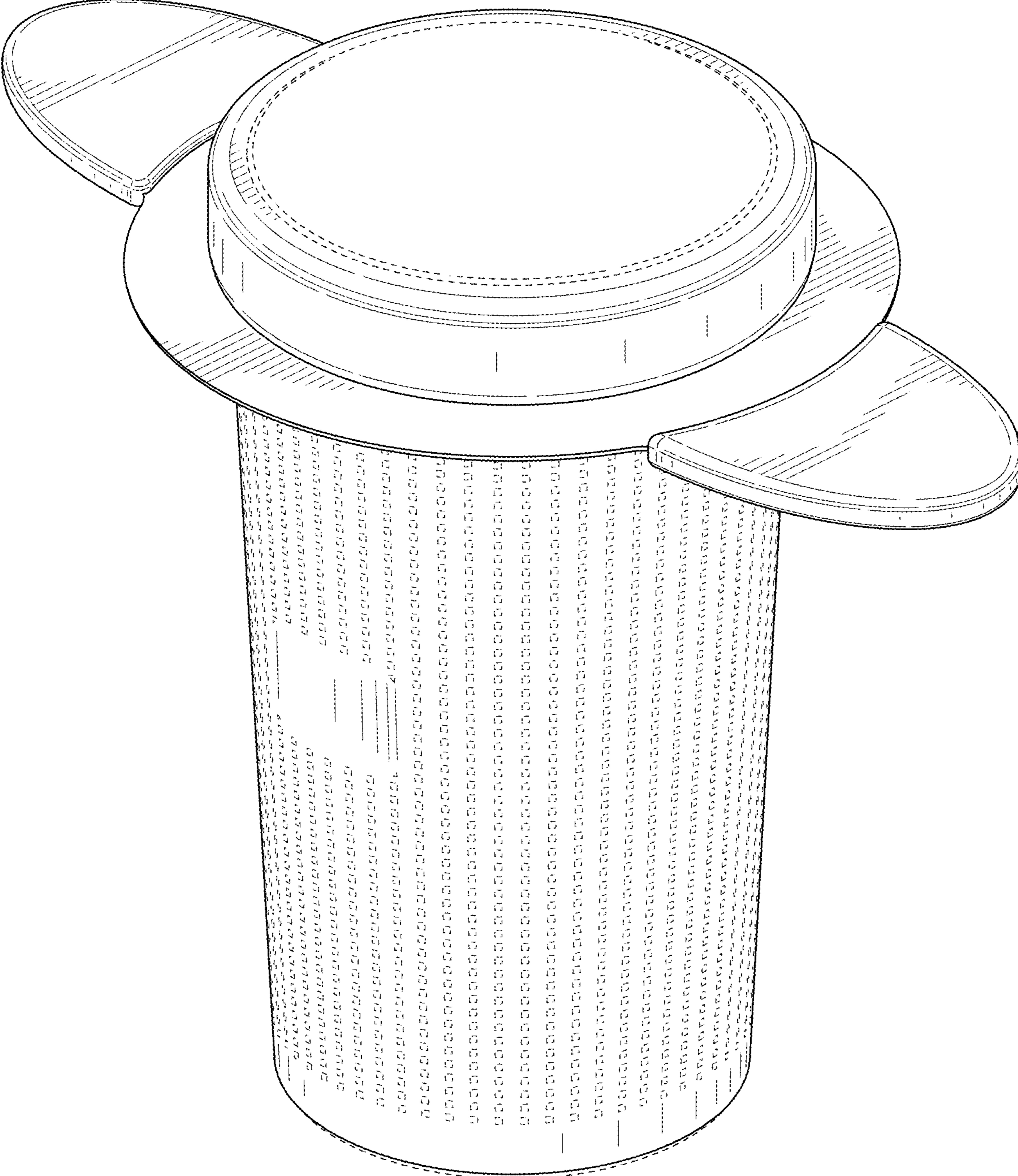


FIG. 1



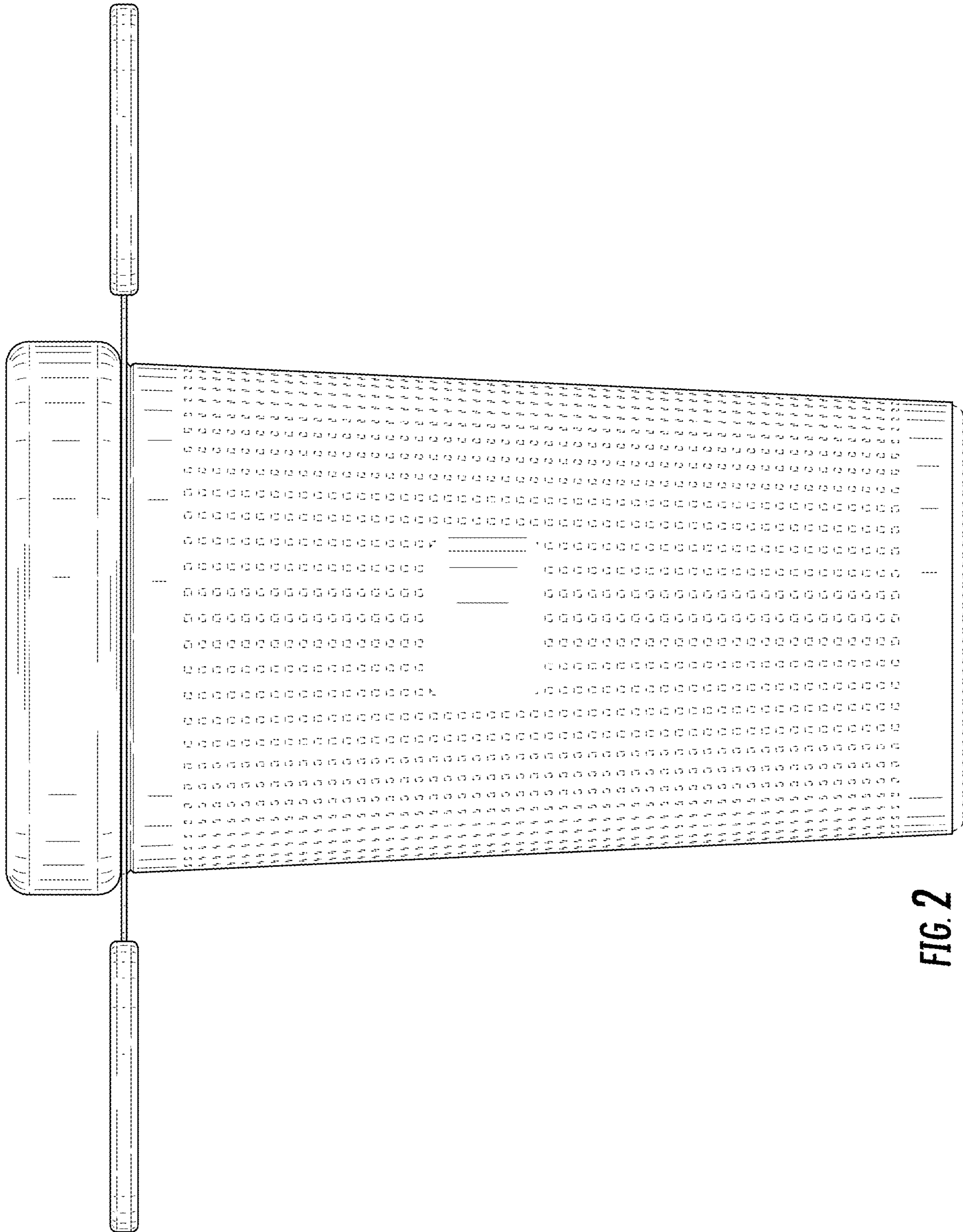


FIG. 2

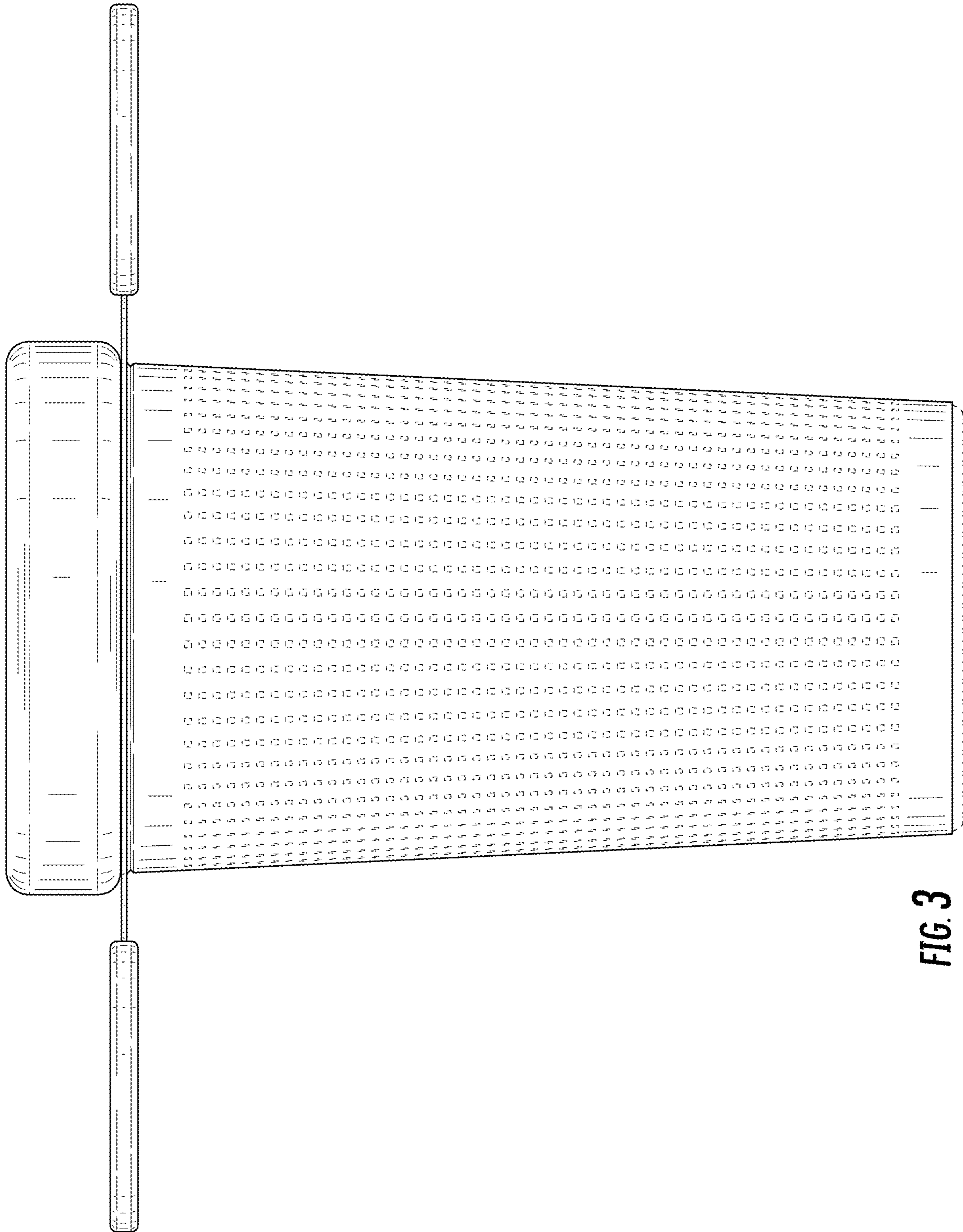


FIG. 3

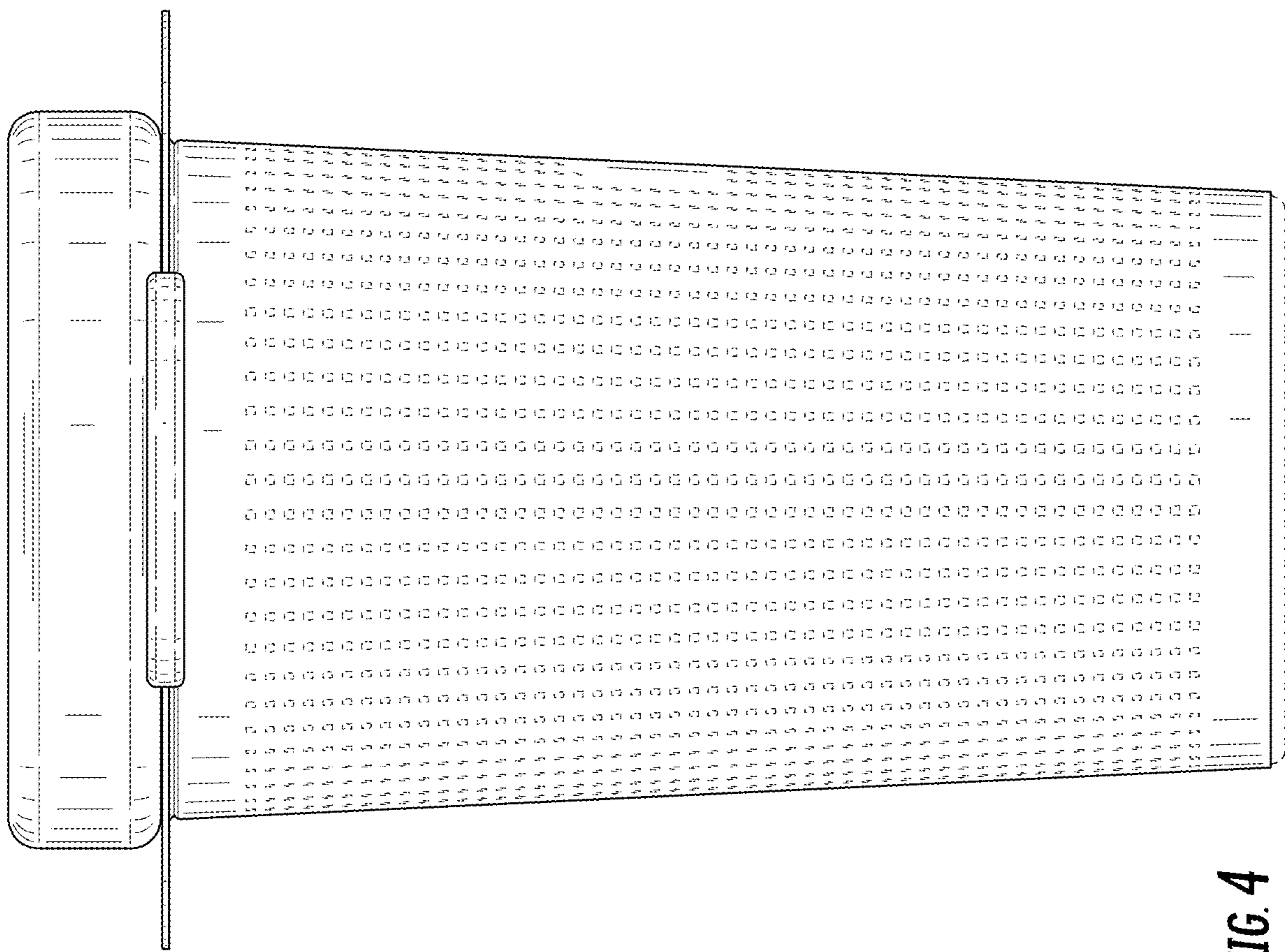


FIG. 4

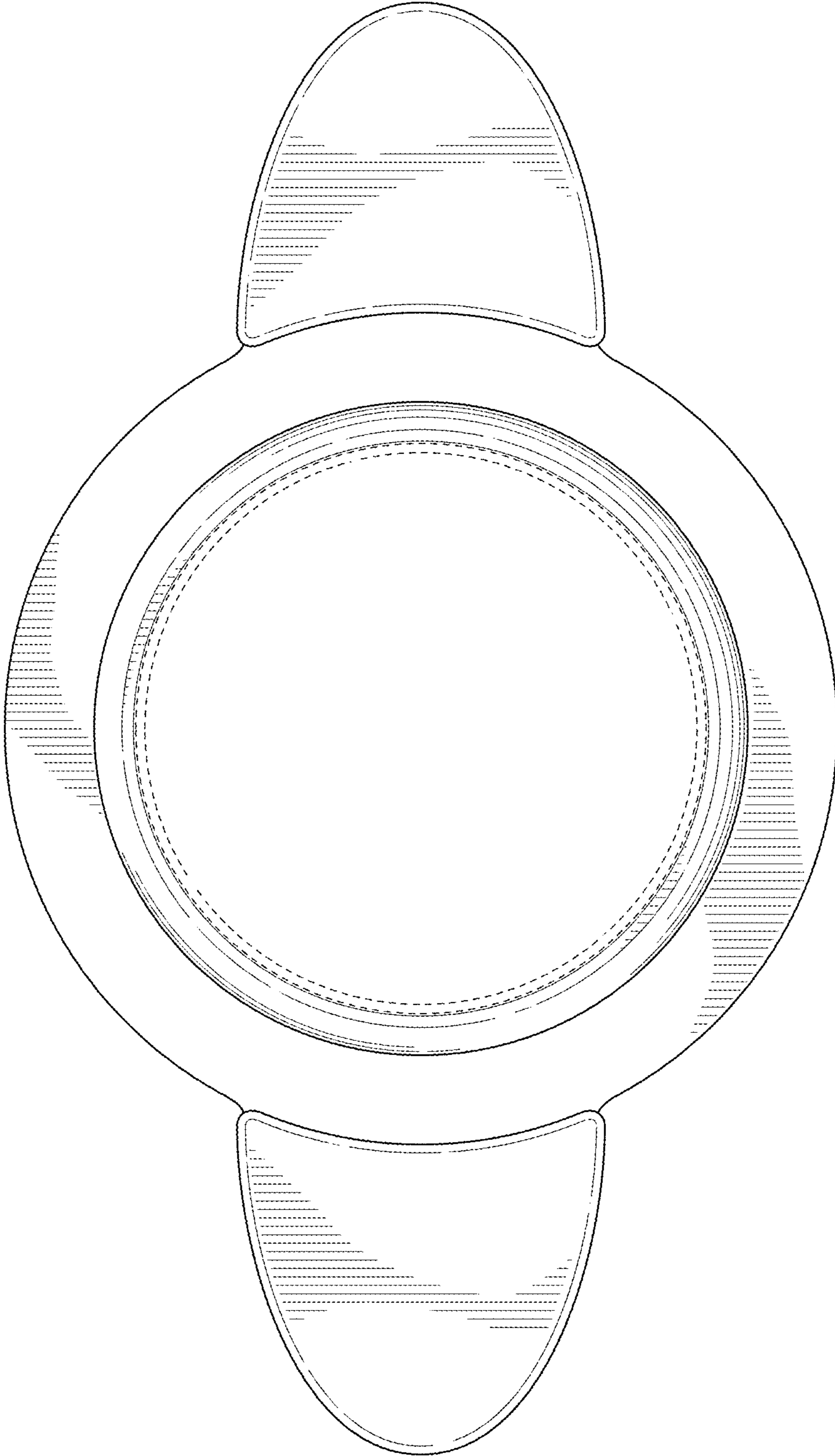


FIG. 5



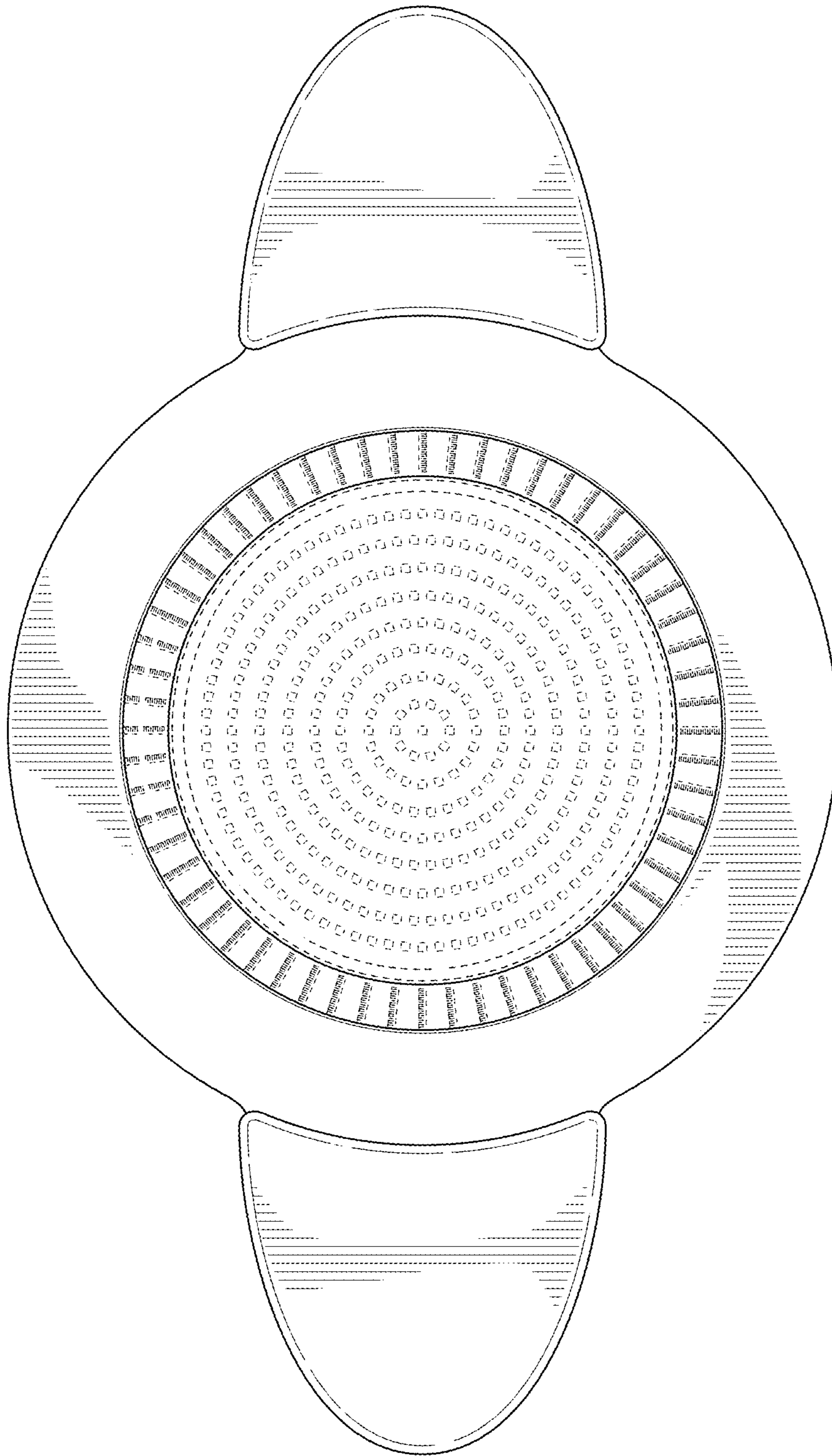


FIG. 6