



US00D978608S

(12) **United States Design Patent**
Wadsworth et al.

(10) **Patent No.:** **US D978,608 S**
(45) **Date of Patent:** **** Feb. 21, 2023**

(54) **LID**
(71) Applicant: **Hydrojug, Inc.**, Ogden, UT (US)
(72) Inventors: **Hayden Wadsworth**, Ogden, UT (US);
Jeffrey Steel, Midland Park, NJ (US);
Matthew Earl Meyer, Bountiful, UT (US)

D923,395 S * 6/2021 Xie D7/392.1
D930,427 S * 9/2021 Ayres A47J 43/27
D7/392.1
D942,208 S * 2/2022 Lown D9/450
D943,344 S * 2/2022 Li A47G 19/2266
D9/450

(Continued)

(73) Assignee: **Hydrojug, Inc.**, Ogden, UT (US)

(**) Term: **15 Years**

(21) Appl. No.: **29/804,394**

(22) Filed: **Aug. 19, 2021**

(51) **LOC (14) Cl.** **07-99**

(52) **U.S. Cl.**
USPC **D7/396.2**

(58) **Field of Classification Search**
USPC D7/392, 387, 396.1, 396.2, 397, 509,
D7/510, 511, 543; D9/435
CPC B65D 41/04; B65D 41/00; B65D 41/02;
A47G 19/22; A47G 19/2205; A45F 3/16;
A47J 31/4407

See application file for complete search history.

(56) **References Cited**

U.S. PATENT DOCUMENTS

D649,879 S * 12/2011 Gullickson D9/450
D704,986 S * 5/2014 Manies D7/392.1
D799,320 S * 10/2017 Goodwin D9/449
D802,993 S * 11/2017 Joseph D7/392.1
D810,500 S * 2/2018 Maple D7/392.1
D830,771 S * 10/2018 Lin D7/510
D835,938 S * 12/2018 Zou D7/392.1
D844,376 S * 4/2019 Rosette D7/392.1
D887,776 S * 6/2020 Bo D7/392.1
D893,262 S * 8/2020 Wang D9/531
D911,101 S * 2/2021 Fang D9/450
D921,424 S * 6/2021 Chen D7/392.1
D922,819 S * 6/2021 Wang D9/450

950ml Sport Water Bottle | posted at meikeda.com, no posting date,
© 2022 Meikeda.com, [online], [site visited Nov. 15, 2022]. Avail-
able from Internet, <URL: <https://www.meikeda.com/product/950-ml-stainless-steel-sport-water-bottle-with-finger-loop-handle/>> (Year:
2022).*

(Continued)

Primary Examiner — Andrew Kerr
Assistant Examiner — Courtney Clark-Rasheed
(74) *Attorney, Agent, or Firm* — Preston P. Frischknecht;
Project CIP

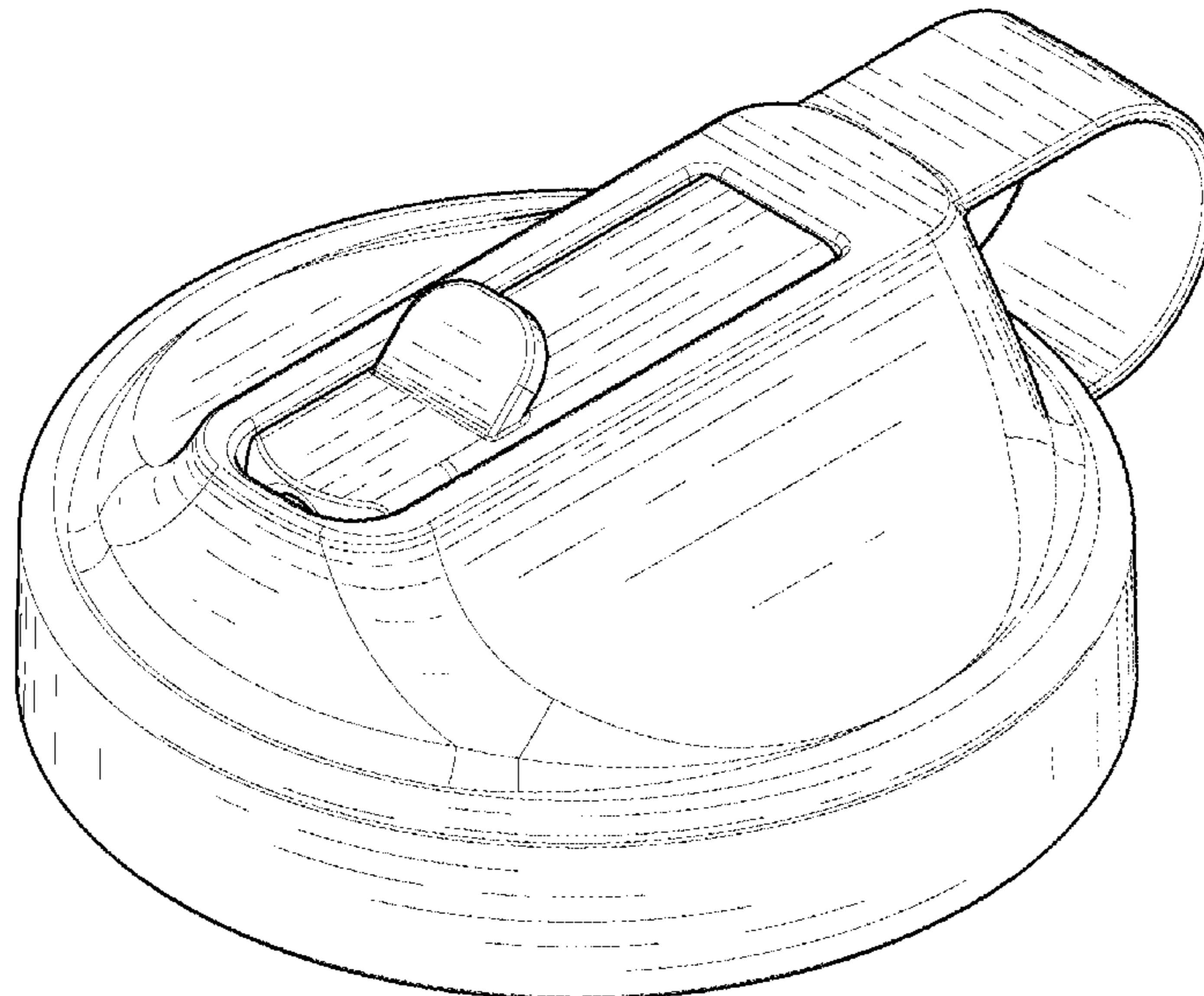
(57) **CLAIM**

The ornamental design for a lid, as shown and described.

DESCRIPTION

FIG. 1 is a first perspective view of a lid, showing our new design;
FIG. 2 is a second perspective view thereof;
FIG. 3 is a first side view thereof;
FIG. 4 is a second side view thereof;
FIG. 5 is a third side view thereof;
FIG. 6 is a fourth side thereof;
FIG. 7 is a top view thereof;
FIG. 8 is a bottom view thereof; and,
FIG. 9 is a perspective view of the lid in an alternate position.
The dashed lines depict portions of the lid that form no part of the claimed design.

1 Claim, 9 Drawing Sheets



(56)

References Cited

U.S. PATENT DOCUMENTS

D944,053 S * 2/2022 Yao B65D 1/0276
D7/392.1
D948,928 S * 4/2022 Chen D7/392.1
2008/0237233 A1 * 10/2008 Choi A45F 3/20
215/229
2009/0120946 A1 * 5/2009 Hung A47G 19/2266
220/707
2014/0116978 A1 * 5/2014 Khan B65D 1/0276
215/382
2019/0282979 A1 * 9/2019 Noall A47J 43/27

OTHER PUBLICATIONS

20 oz Kids Wide Mouth | posted at hydroflask.com, no posting date,
© 2022 hydroflask.com, [online], [site visited Nov. 15, 2022].
Available from Internet, <URL: <https://www.hydroflask.com/20-oz-kids-wide-mouth?color=starfish>> (Year: 2022).*

* cited by examiner

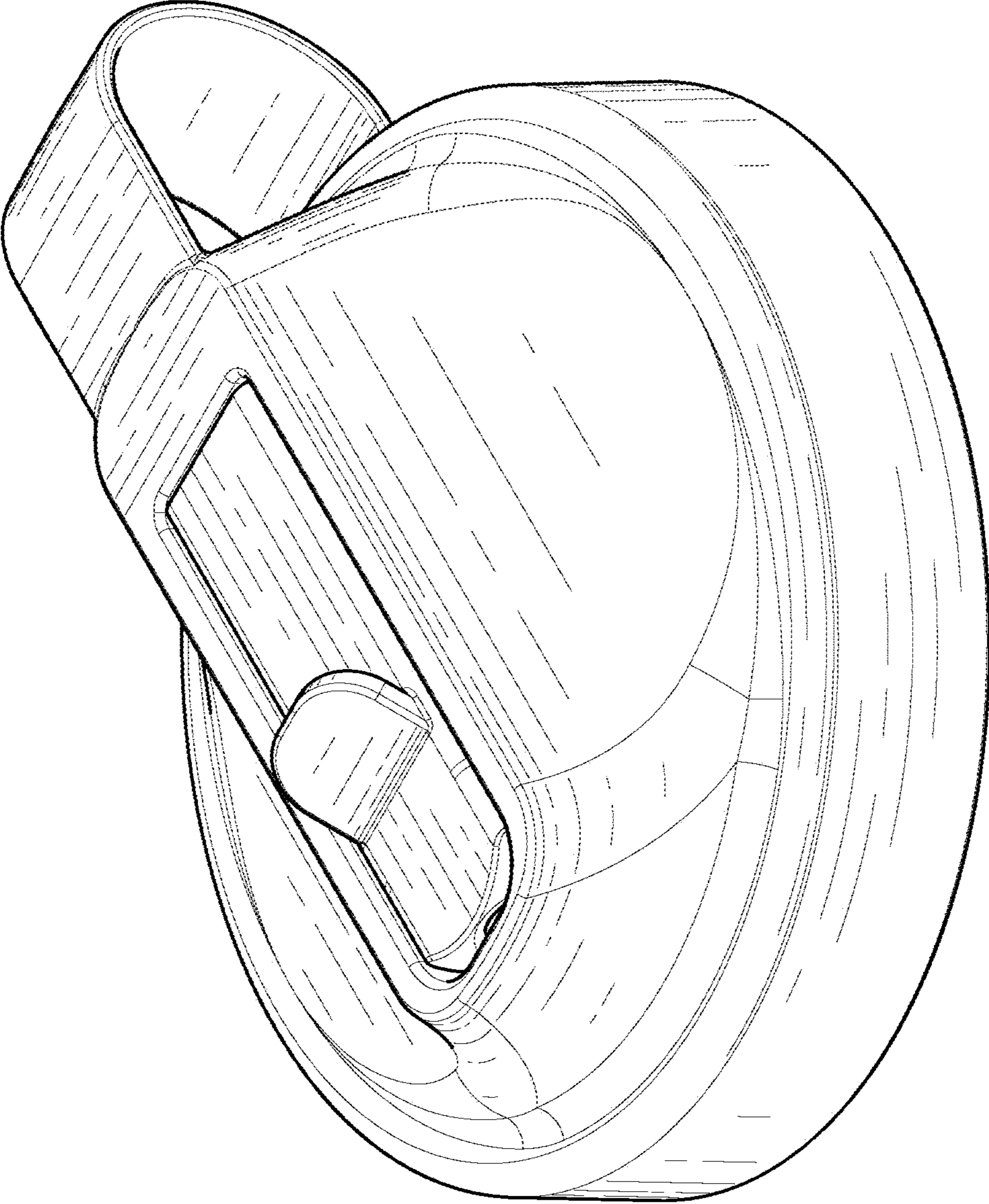


FIG. 1

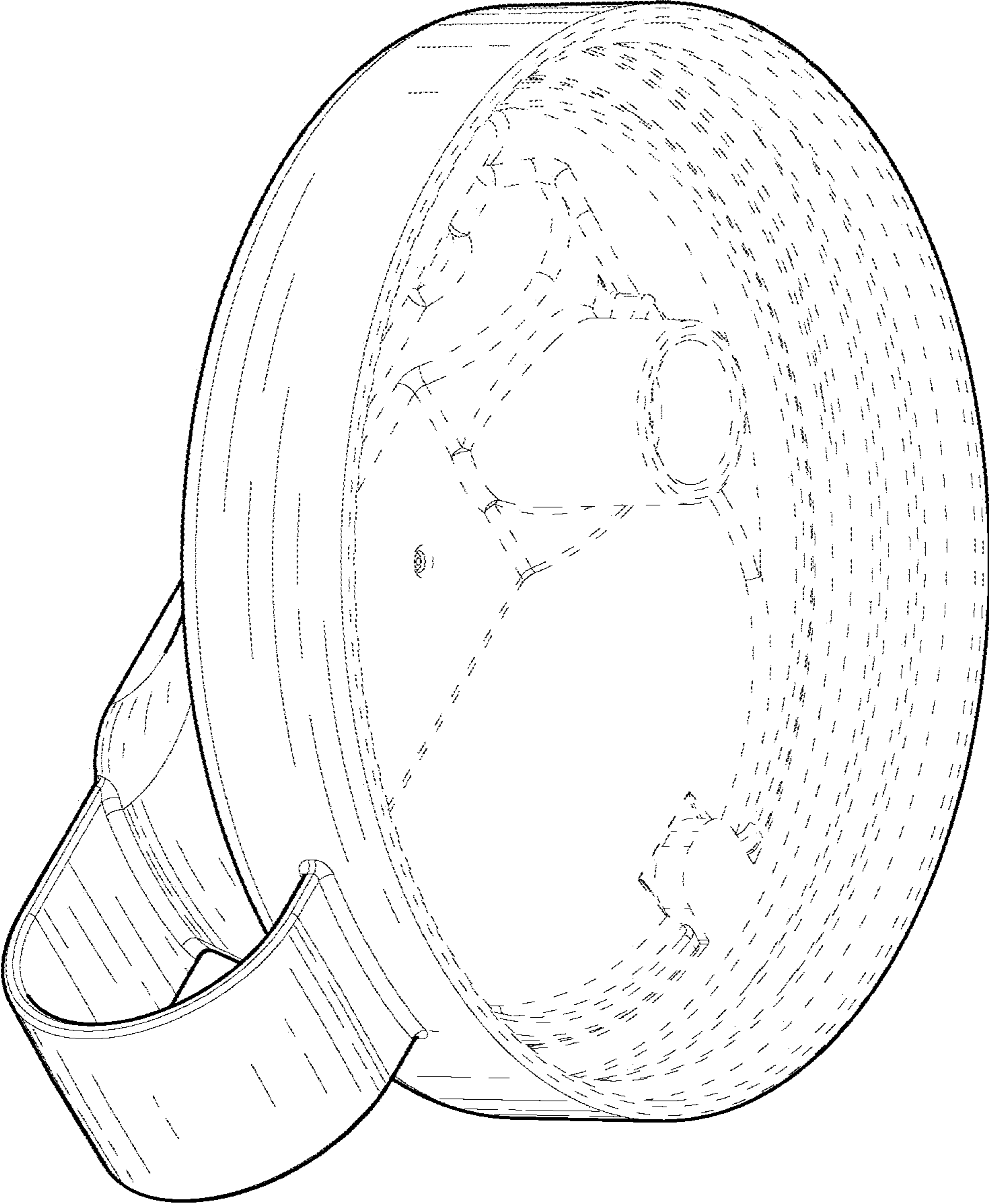


FIG. 2

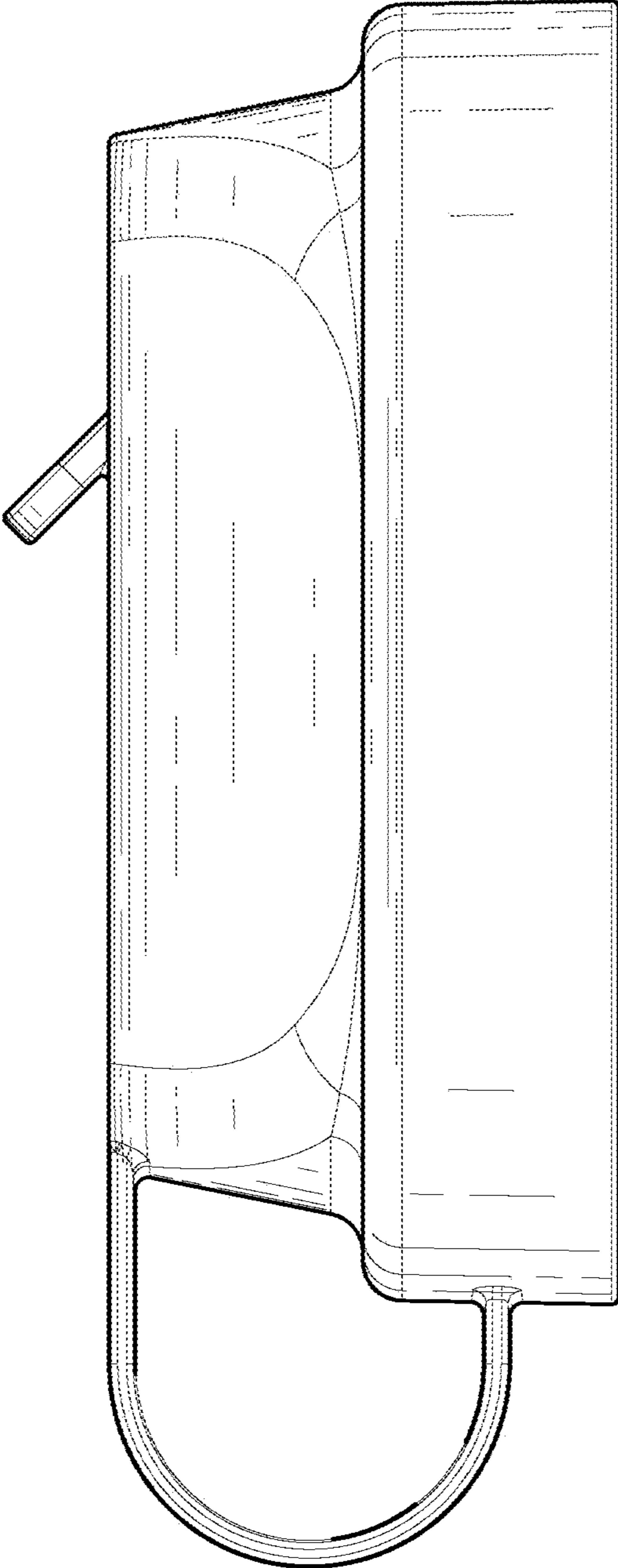


FIG. 3

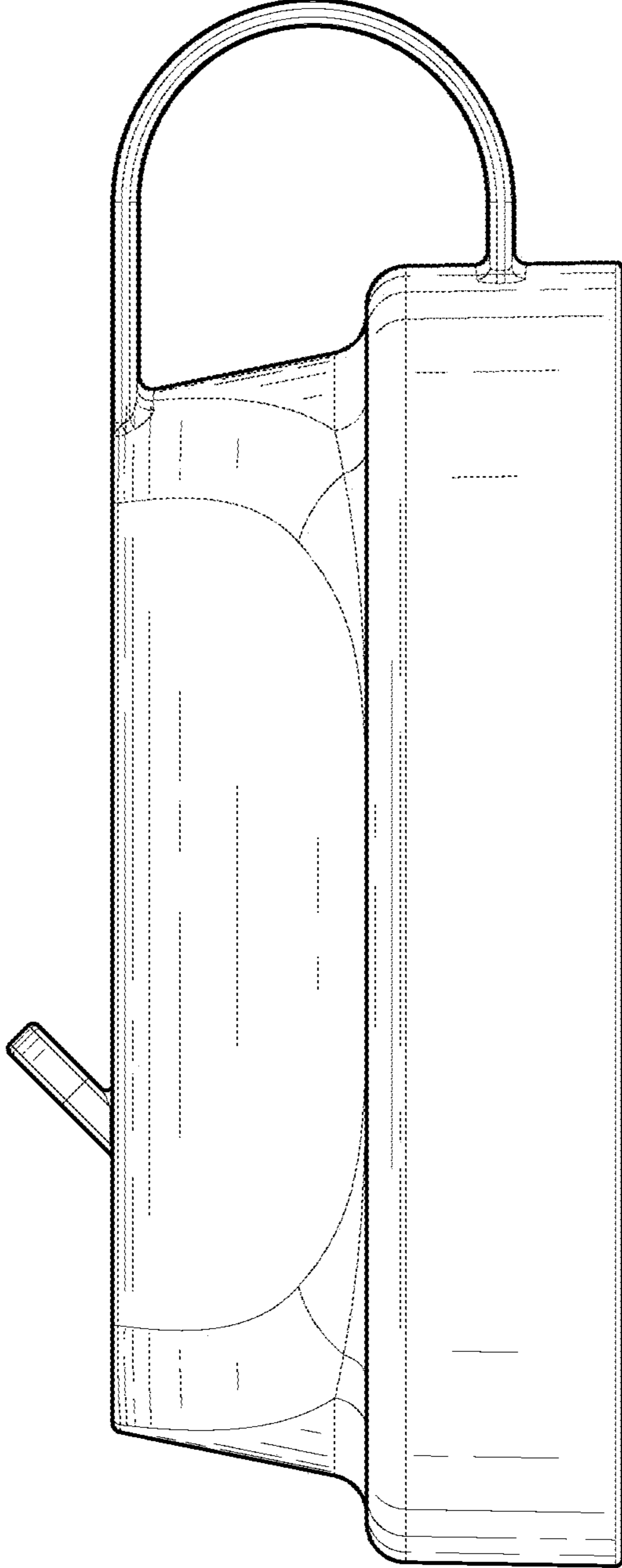


FIG. 4

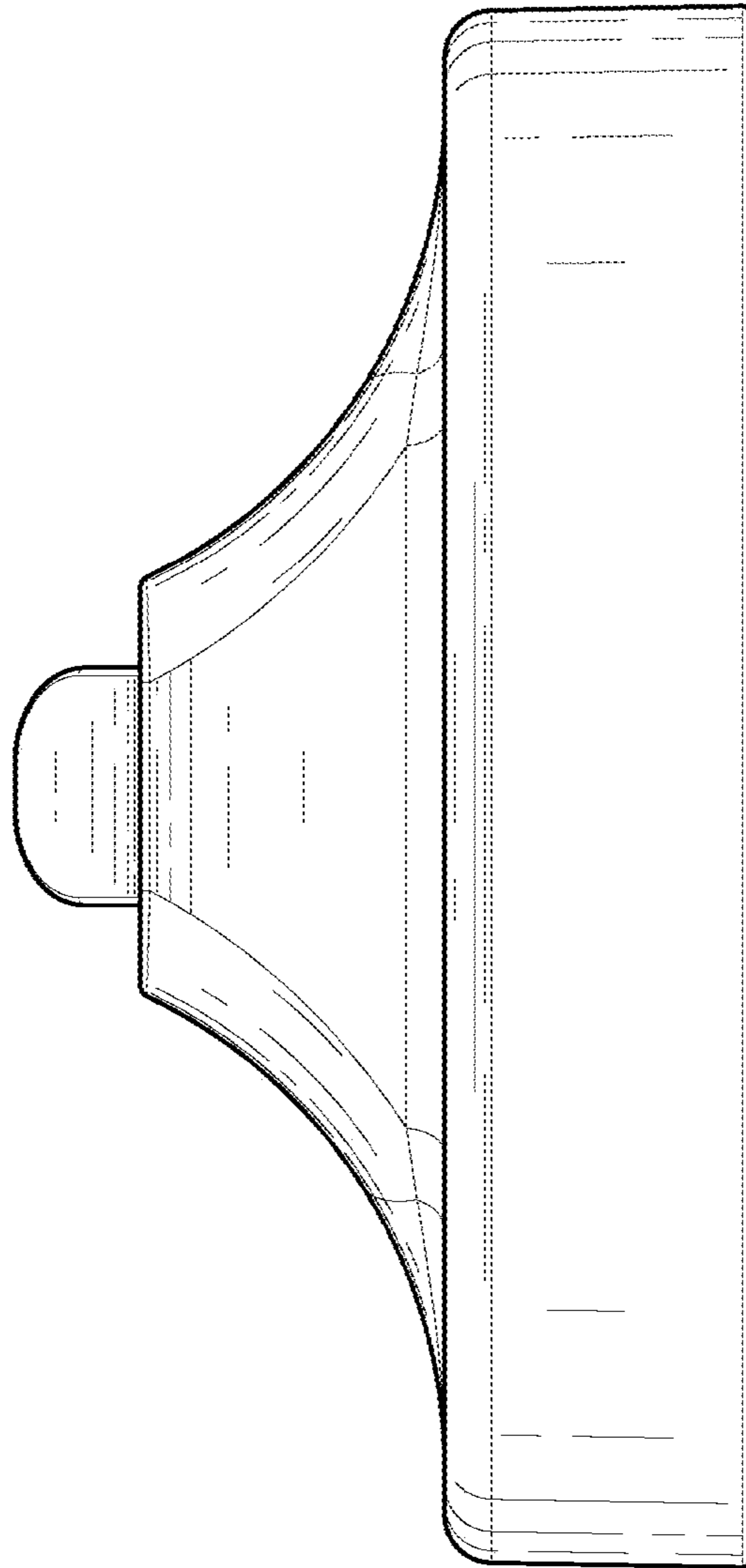


FIG. 5

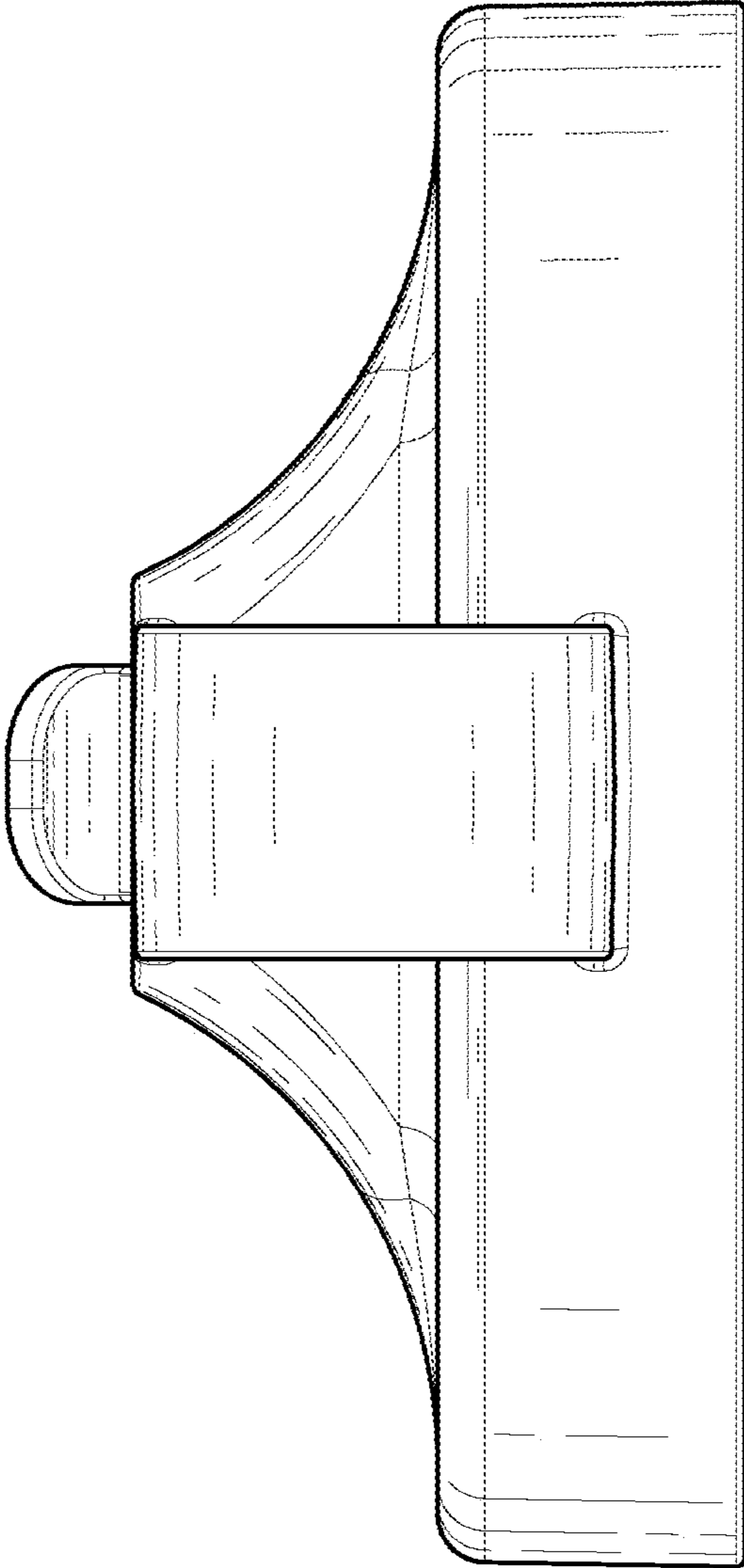


FIG. 6

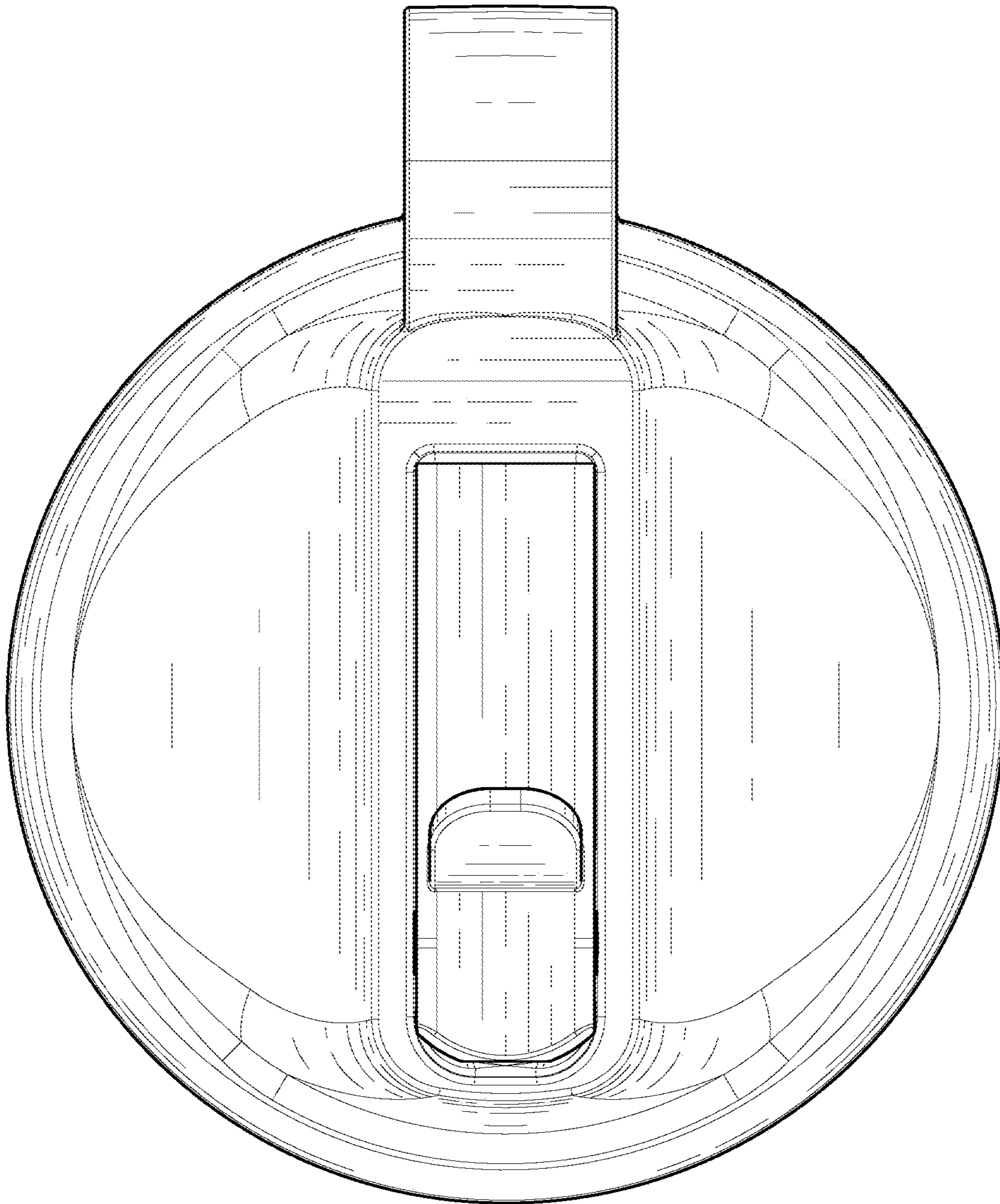


FIG. 7

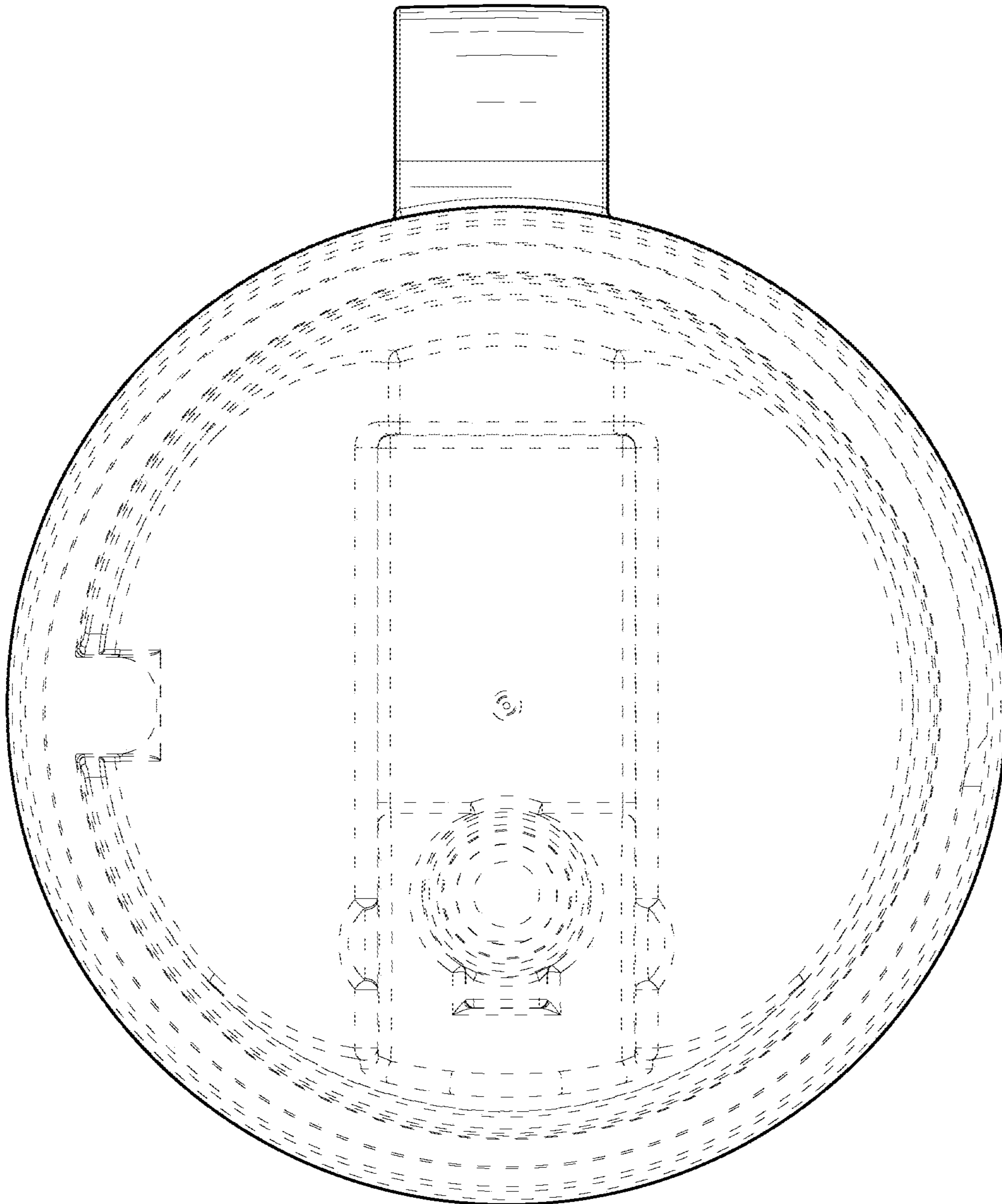


FIG. 8

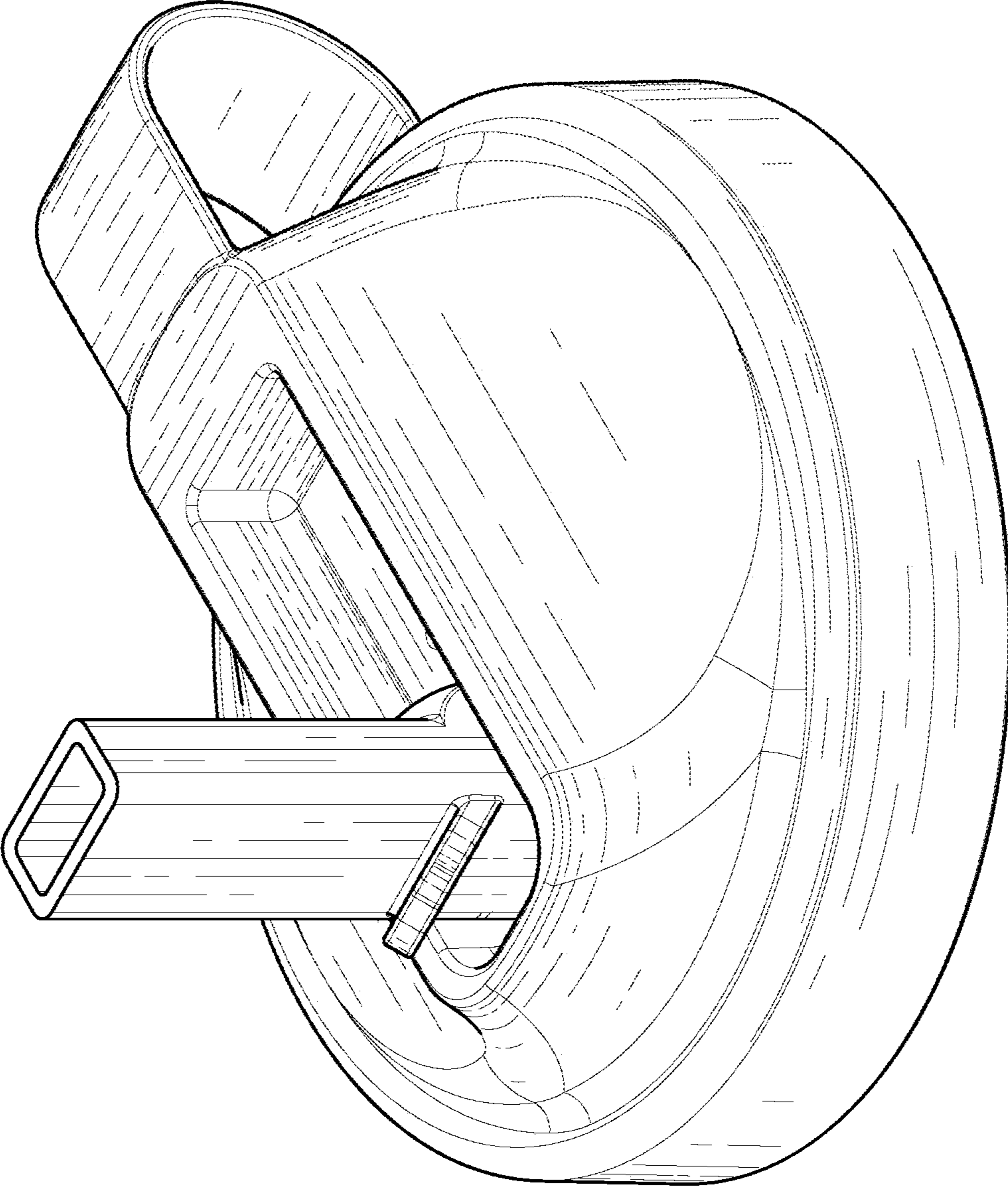


FIG. 9