



US00D978605S

(12) **United States Design Patent** (10) **Patent No.:** **US D978,605 S**
McConnell et al. (45) **Date of Patent:** **** Feb. 21, 2023**

(54) **POWER DRIVEN CHOPPER**

(71) Applicant: **WHIRLPOOL CORPORATION**,
Benton Harbor, MI (US)

(72) Inventors: **John W. McConnell**, St. Joseph, MI
(US); **Yifan Wang**, St. Joseph, MI
(US); **Wenkai Wu**, Aurora, IL (US)

(73) Assignee: **WHIRLPOOL CORPORATION**,
Benton Harbor, MI (US)

(**) Term: **15 Years**

(21) Appl. No.: **29/846,733**

(22) Filed: **Jul. 19, 2022**

Related U.S. Application Data

(63) Continuation of application No. 29/815,660, filed on Nov. 16, 2021, now Pat. No. Des. 960,636, which is a continuation of application No. 29/795,502, filed on Jun. 18, 2021, now Pat. No. Des. 939,268, which is a continuation of application No. 29/764,246, filed on Dec. 29, 2020, now Pat. No. Des. 925,272, which is a continuation of application No. 29/741,533, filed on Jul. 14, 2020, now Pat. No. Des. 909,119, which is a continuation of application No. 29/682,096, filed on Mar. 1, 2019, now Pat. No. Des. 891,855.

(51) **LOC (14) Cl.** **31-00**

(52) **U.S. Cl.**
USPC **D7/380**; D7/376; D7/379; D7/412

(58) **Field of Classification Search**
USPC D7/372, 376–386, 412–413, 602, 629,
D7/665–666, 669, 679, 690, 693–694
CPC A21C 1/02; A21C 1/04; A23N 1/00; A23N
1/02; A47J 43/04; A47J 43/25; A47J
43/27; A47J 43/042; A47J 43/044; A47J
43/046; A47J 43/075; A47J 43/0705;
A47J 43/0711; A47J 43/0722; A47J
43/0727; A47J 43/1093; B01F 3/00; B01F
3/0807; B01F 3/0853; B01F 13/0059;
B01F 13/0064; B01F 7/164; B02C 1/08;

B02C 2/04; B02C 4/42; B02C 4/142;
B02C 4/143; B02C 4/423; B02C 13/1835;
B28C 5/10; B28C 5/12; B28C 5/14;
B28C 5/16

See application file for complete search history.

(56) **References Cited**

U.S. PATENT DOCUMENTS

1,004,786 A	10/1911	Hess
1,072,251 A	9/1913	Parham
D277,924 S	3/1985	Kafka
D278,506 S	4/1985	Kafka
4,735,510 A	4/1988	Barbour et al.
D304,009 S	10/1989	Gecchelin

(Continued)

OTHER PUBLICATIONS

Juissart Store Immersion Blender. Date First Available on Amazon.com Mar. 28, 2022. <https://www.amazon.com/dp/B09WMNBMBL/ref> (Year: 2022).*

Primary Examiner — Ricky Pham

(74) *Attorney, Agent, or Firm* — Price Heneveld LLP

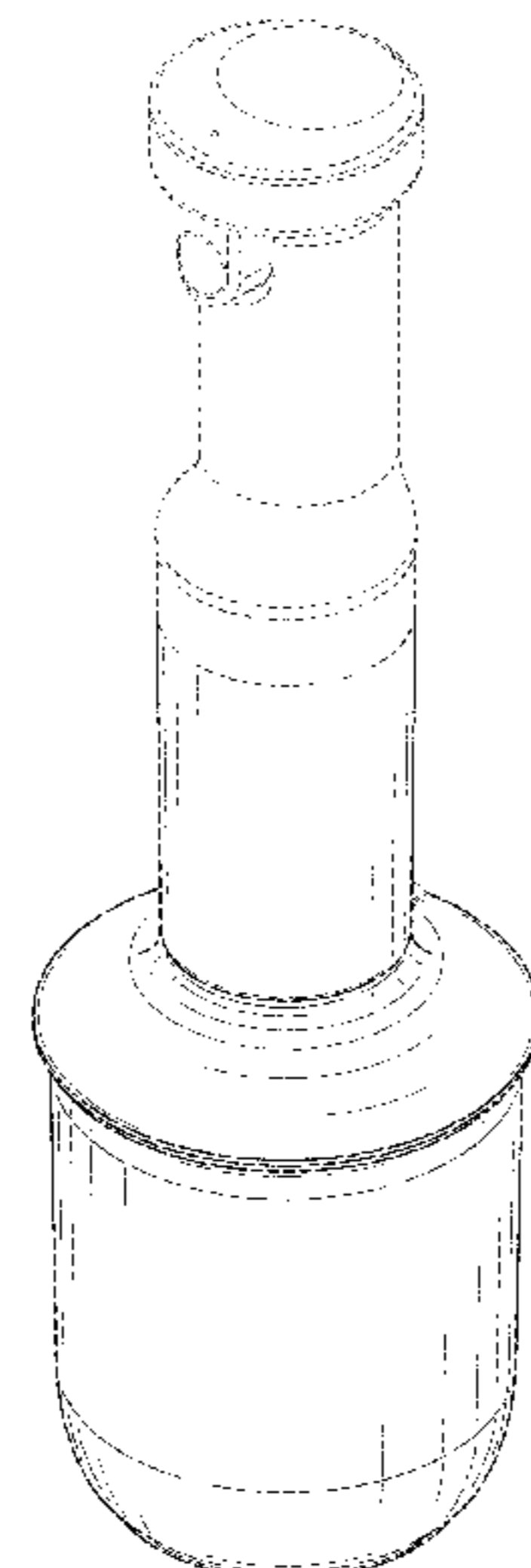
(57) **CLAIM**

The ornamental design for a power driven chopper, as shown and described.

DESCRIPTION

FIG. 1 is a front-perspective view of a power driven chopper according to the design;
FIG. 2 is a front elevation view thereof;
FIG. 3 is a back elevation view thereof;
FIG. 4 is a right side elevation view thereof;
FIG. 5 is a left side elevation view thereof;
FIG. 6 is a top plan view thereof; and,
FIG. 7 is a bottom plan view thereof.
The portions of the article shown in broken line form no part of the claimed design.

1 Claim, 4 Drawing Sheets



(56)

References Cited

U.S. PATENT DOCUMENTS

D308,001 S 5/1990 Ricard
 D327,603 S 7/1992 Van Asten
 D331,170 S * 11/1992 Greiner D7/693
 D345,076 S 3/1994 Saltet
 D348,587 S 7/1994 Saltet
 D358,293 S 5/1995 Sebastia
 D361,241 S 8/1995 Littmann
 D380,943 S * 7/1997 Wong D7/693
 D390,415 S 2/1998 Hippen et al.
 D394,367 S 5/1998 Littmann
 D404,253 S * 1/1999 Littmann D7/412
 5,979,850 A 11/1999 Hippen et al.
 D447,380 S 9/2001 Feil
 D447,381 S * 9/2001 Littmann D7/381
 D456,206 S 4/2002 Feil
 D464,853 S * 10/2002 Klamer D7/693
 D480,612 S 10/2003 Schlein
 D485,729 S 1/2004 Patton et al.
 D506,102 S 6/2005 Ikegaki
 D510,837 S 10/2005 Lloyd et al.
 D518,688 S * 4/2006 Overthun D7/693
 D534,032 S 12/2006 Lloyd
 D567,017 S * 4/2008 Garman D7/384
 7,371,003 B2 5/2008 Hamelin
 D572,075 S * 7/2008 Wong D7/376
 D579,271 S 10/2008 Ferraby
 D584,928 S 1/2009 Eide et al.
 D597,802 S 8/2009 Yu
 D614,438 S 4/2010 Fukasawa
 D623,009 S 9/2010 Bodum
 7,866,879 B2 1/2011 Moschetti
 D638,656 S 5/2011 Brinckerhoff et al.
 D644,479 S 9/2011 Lownds et al.
 D649,394 S 11/2011 Grabes et al.
 D651,041 S 12/2011 Bachmann et al.
 D651,846 S 1/2012 Roseby et al.
 D662,765 S 7/2012 Grabes et al.
 D663,573 S 7/2012 Nordwall

D663,588 S * 7/2012 Nordwall D7/378
 D681,391 S 5/2013 Agren
 D691,412 S 10/2013 Ragot
 D695,565 S 12/2013 Verbrugge et al.
 D703,481 S 4/2014 Lownds
 D724,373 S 3/2015 Ji
 D724,374 S 3/2015 Sanguinetti
 D726,496 S 4/2015 Vu et al.
 D731,236 S 6/2015 Yin
 D751,858 S 3/2016 Zhang
 D756,166 S 5/2016 Lee et al.
 D769,062 S 10/2016 Mcconnell et al.
 9,603,490 B2 3/2017 Cheung et al.
 D796,255 S 9/2017 Vu et al.
 D798,602 S 10/2017 Perry
 D805,345 S 12/2017 Ho et al.
 D808,211 S 1/2018 Vu et al.
 D809,331 S 2/2018 Blazquez et al.
 D817,081 S 5/2018 Verbrugge
 D846,340 S 4/2019 Gan
 D848,205 S 5/2019 Mullen
 D886,512 S 6/2020 Thun et al.
 D891,855 S 8/2020 Mcconnell et al.
 D900,531 S * 11/2020 Chen D7/381
 D909,119 S 2/2021 Mcconnell et al.
 D911,095 S 2/2021 Koszylko
 D912,460 S 3/2021 Ye et al.
 D922,132 S 6/2021 Gee et al.
 D923,404 S 6/2021 Wang et al.
 D924,619 S 7/2021 Chen
 D925,272 S 7/2021 Mcconnell et al.
 D934,023 S * 10/2021 Shu D7/381
 D939,268 S 12/2021 Mcconnell et al.
 D960,636 S * 8/2022 McConnell D7/412
 2004/0149843 A1 * 8/2004 Tang A47J 43/044
 241/272
 2005/0078549 A1 4/2005 Hamelin
 2008/0043569 A1 2/2008 Moschetti
 2015/0009776 A1 1/2015 Cheung et al.

* cited by examiner

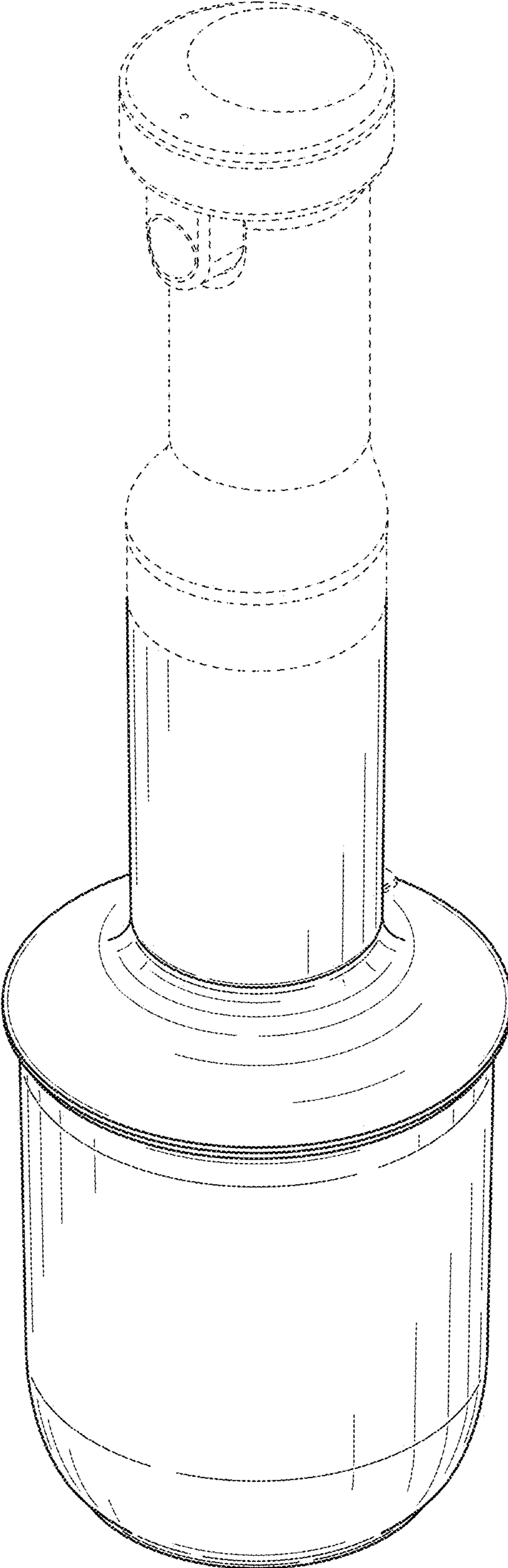


FIG. 1

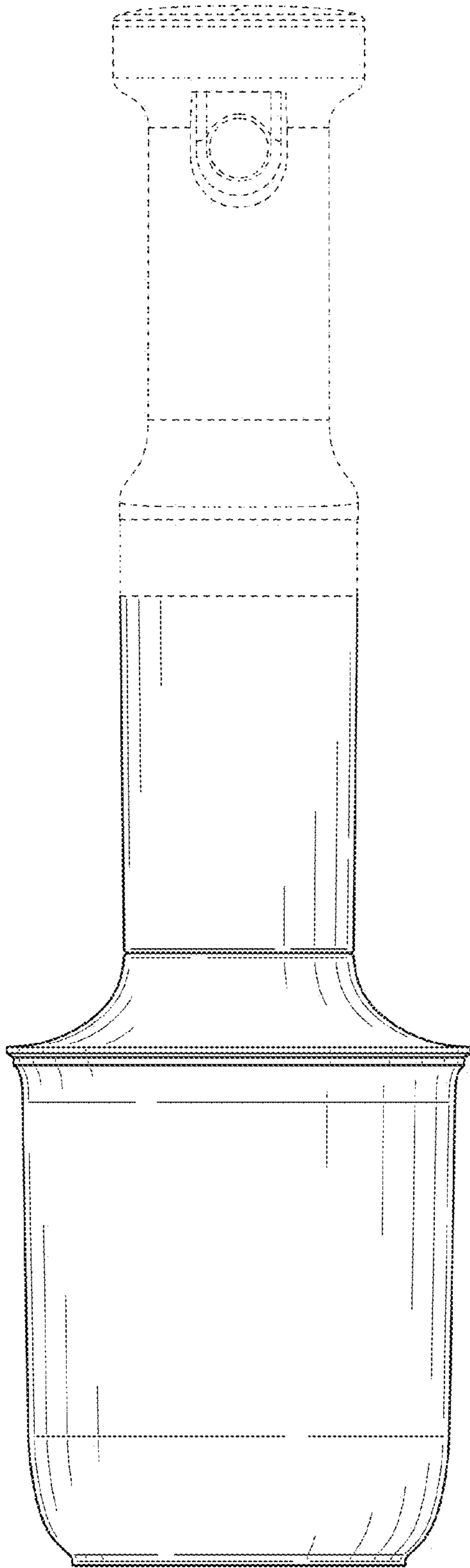


FIG. 2

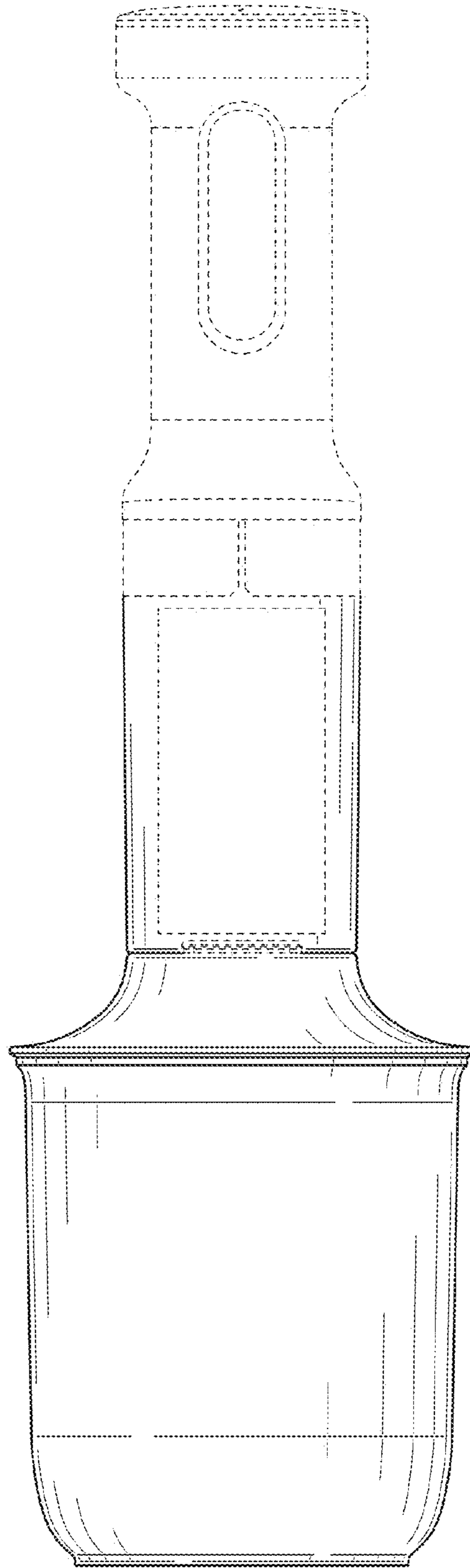


FIG. 3

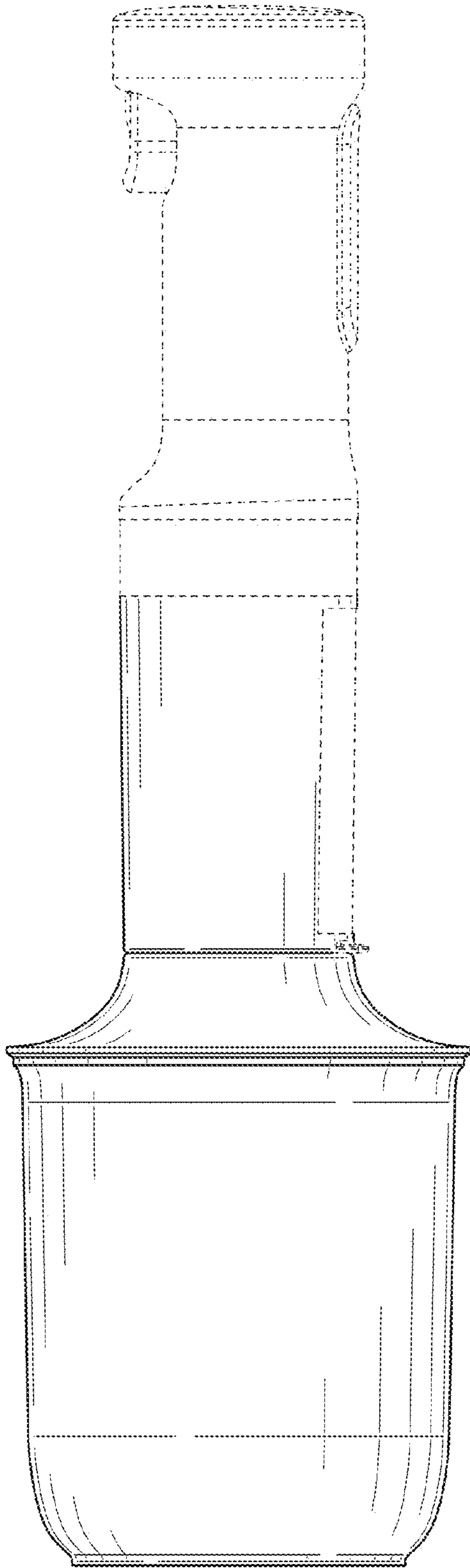


FIG. 4

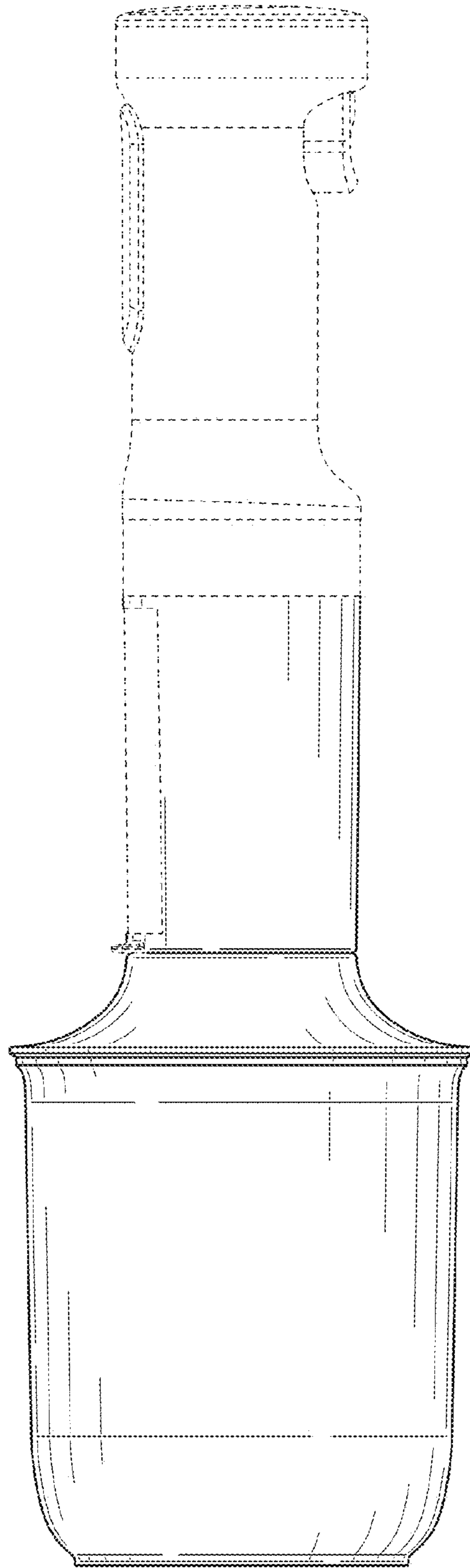


FIG. 5

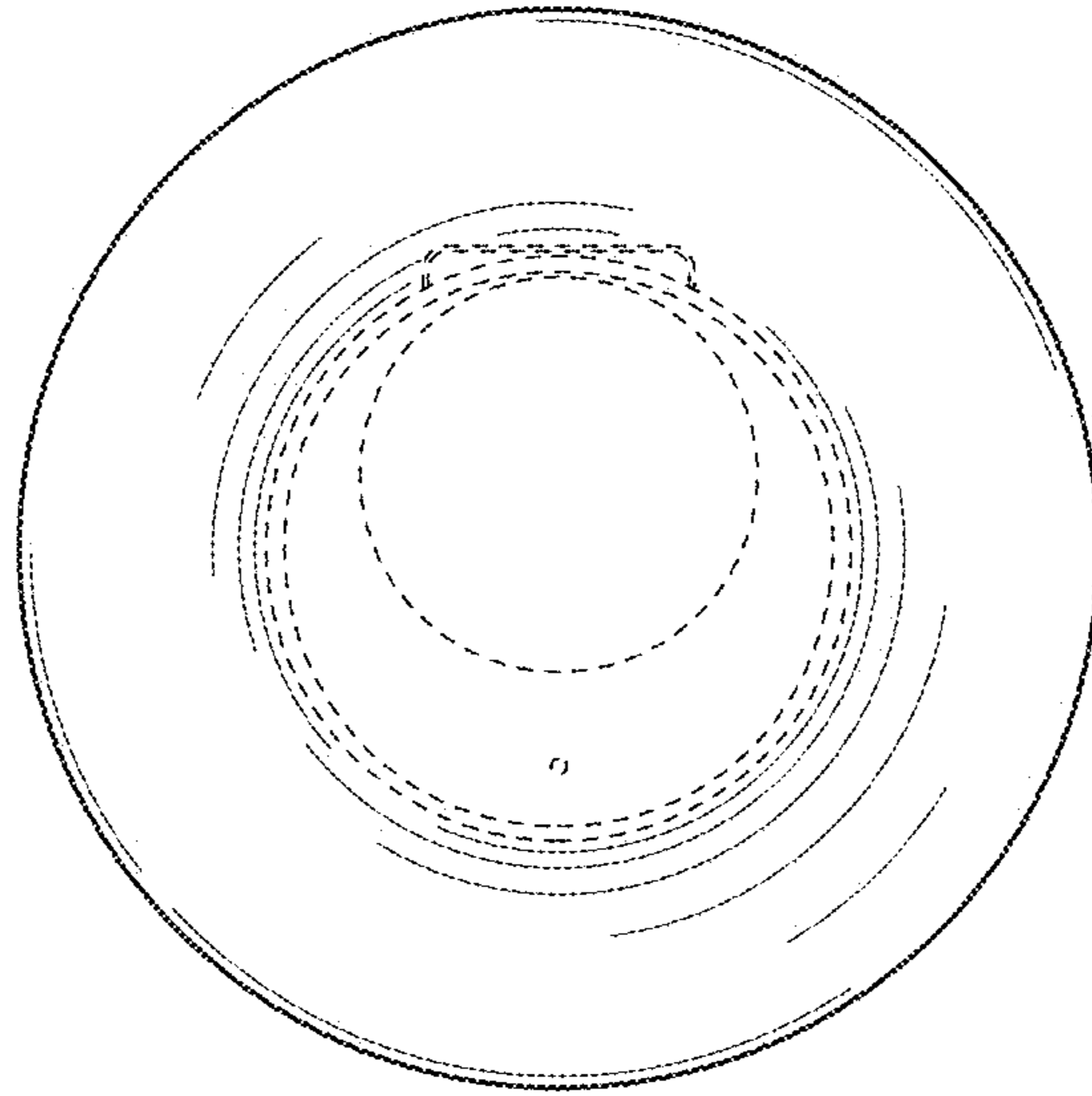


FIG. 6

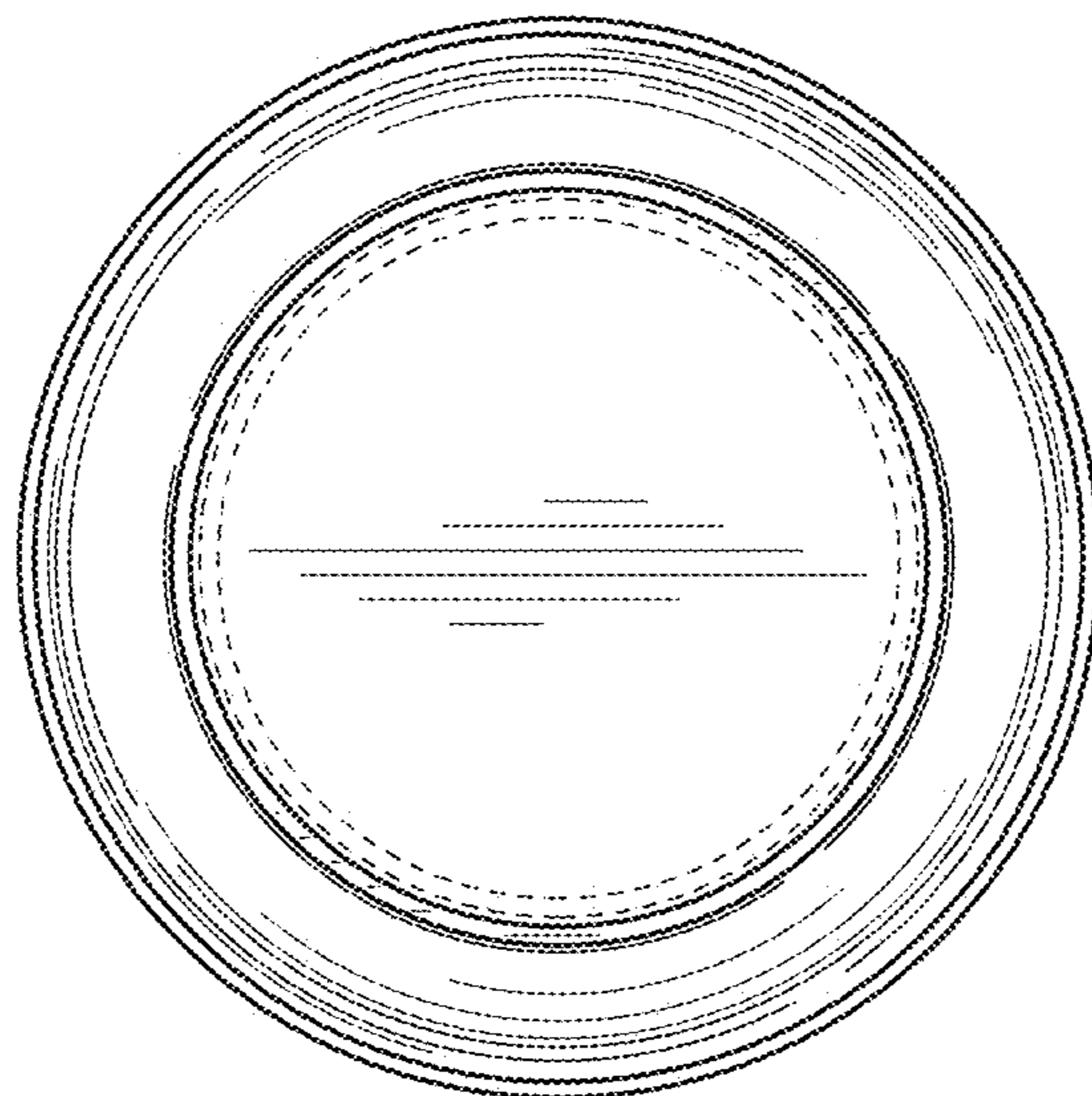


FIG. 7