



US00D978604S

(12) **United States Design Patent** (10) **Patent No.:** **US D978,604 S**
Yoder et al. (45) **Date of Patent:** **** Feb. 21, 2023**

(54) **INDUCTION WARMER** 6,196,115 B1 * 3/2001 Tsao A47J 27/13
99/413
(71) Applicant: **COOKTEK INDUCTION SYSTEMS** D501,117 S * 1/2005 Bassill D7/367
LLC, Carrollton, TX (US) 8,803,048 B2 8/2014 Bassill et al.
9,307,862 B2 4/2016 Roever et al.
(72) Inventors: **Steven L. Yoder**, Coppell, TX (US); D817,699 S * 5/2018 Lee D7/362
Gabrielle Davis, Denton, TX (US); 10,251,511 B2 4/2019 Roever et al.
Mingwei Shan, Frisco, TX (US) 10,426,292 B2 * 10/2019 Roever A47J 36/2483
(Continued)

(73) Assignee: **COOKTEK INDUCTION SYSTEMS**
LLC, Carrollton, TX (US)

(**) Term: **15 Years**

(21) Appl. No.: **29/737,856**

(22) Filed: **Jun. 12, 2020**

(51) **LOC (14) Cl.** **07-02**

(52) **U.S. Cl.**
USPC **D7/367**

(58) **Field of Classification Search**
USPC D7/323, 354-362, 367, 391, 393, 406
CPC A47J 27/00; A47J 27/004; A47J 27/08;
A47J 27/0802; A47J 27/0804; A47J
27/0811; A47J 27/0813; A47J 27/0815;
A47J 27/0817; A47J 27/084; A47J 27/09;
A47J 27/092; A47J 27/13; A47J 36/025;
A47J 36/06; A47J 36/34; A47J 36/38;
A47J 36/2483; A47J 37/12; A47J
37/1204; A47J 37/1209; A47J 45/07;
A47J 45/071; A47J 45/074; A47J 45/08;
B01D 2201/345; B01J 3/03; B01J 3/04;
F01P 2011/0247; F01P 2011/0252; H05B
6/00; H05B 6/02; H05B 6/06; H05B
6/44; H05B 6/1263; H05B 6/1281; H05B
1/0261; A47G 7/06

See application file for complete search history.

(56) **References Cited**

U.S. PATENT DOCUMENTS

2,997,199 A * 8/1961 Reachi A47G 7/06
220/630
5,638,806 A * 6/1997 Foust A47J 36/34
220/606

OTHER PUBLICATIONS

Vollrath Drop-In Induction Rethermalizer. Date First Available on Amazon.com Jul. 24, 2014. <https://www.amazon.com/Vollrath-741101D-11qt-Induction-Rethermalizer/dp/B00L63B798/ref> (Year: 2014).*

(Continued)

Primary Examiner — Ricky Pham

(74) *Attorney, Agent, or Firm* — Barnes & Thornburg LLP

(57) **CLAIM**

We claim the ornamental design for an induction warmer, as shown and described.

DESCRIPTION

FIG. 1 is a top front perspective view of an induction warmer with a circular shell and resting surface showing our new design;

FIG. 2 is a top view thereof;

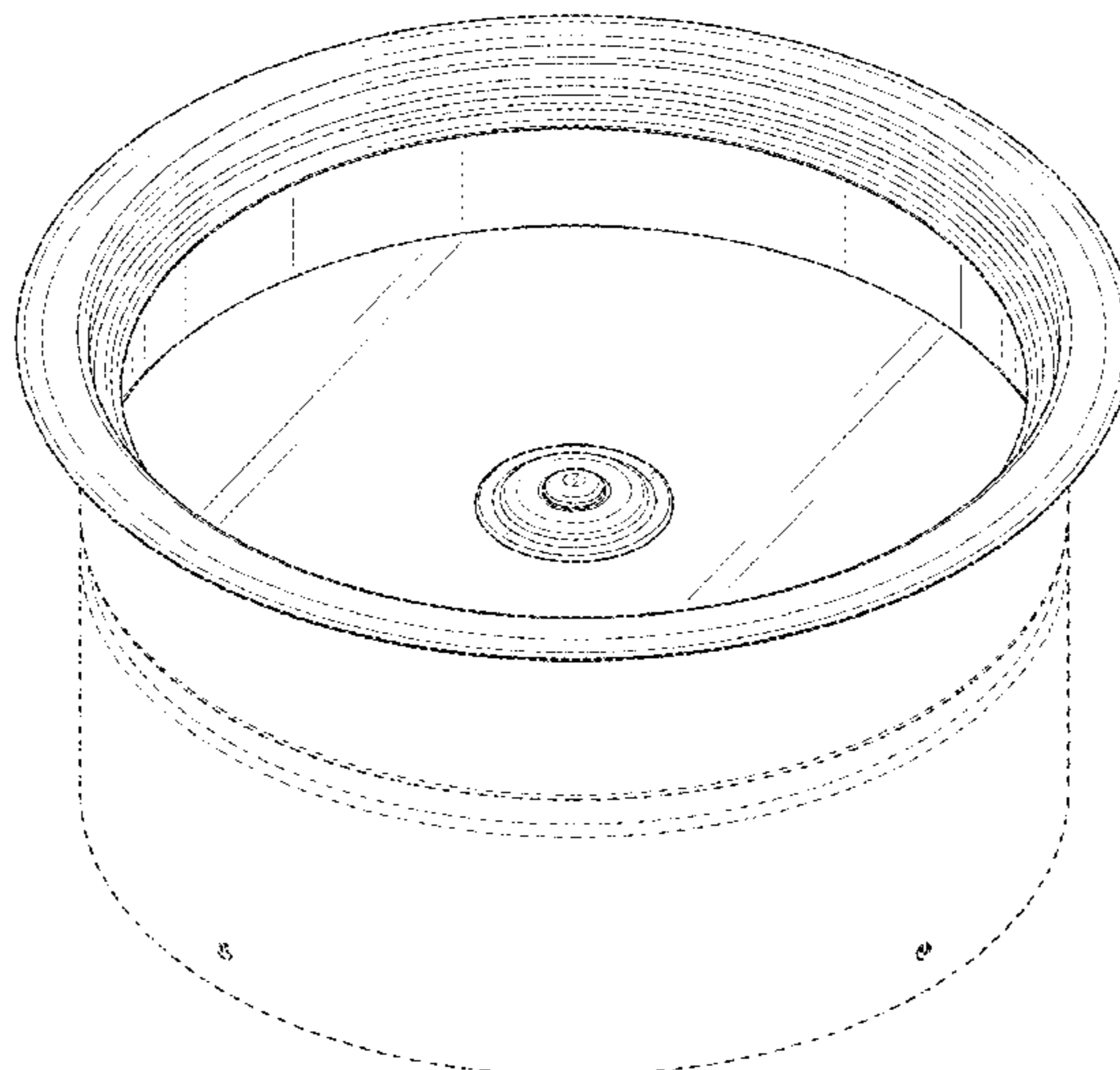
FIG. 3 is a front elevation view thereof, the right, left, and rear side elevation views of the induction warmer with respect to the claimed subject matter are the same;

FIG. 4 is a bottom view thereof; and,

FIG. 5 is a side cross-sectional view of the induction warmer of FIG. 1, about section 5-5 of FIG. 3.

The ornamental design which is claimed is shown in solid lines in the drawings. Any broken or phantom lines in the drawings form no part of the claimed design.

1 Claim, 5 Drawing Sheets



(56)

References Cited

U.S. PATENT DOCUMENTS

10,598,549	B2	3/2020	Hedlund et al.	
10,856,686	B2 *	12/2020	Kopinness	H05B 1/0261
D911,765	S *	3/2021	Jiang	D7/367
2012/0152932	A1 *	6/2012	Moon	H05B 6/1263
				219/601
2014/0157998	A1	6/2014	Roever et al.	
2015/0272385	A1	10/2015	Wang et al.	
2016/0213196	A1	7/2016	Roever et al.	
2017/0142780	A1	5/2017	Hoare et al.	
2017/0311752	A1	11/2017	Roever et al.	
2017/0311753	A1	11/2017	Roever et al.	
2018/0038737	A1	2/2018	Hedlund et al.	
2018/0077761	A1 *	3/2018	Takahashi	H05B 6/1281
2019/0142205	A1	5/2019	Kopinness et al.	
2019/0182908	A1 *	6/2019	Oh	H05B 6/44
2019/0216260	A1	7/2019	Roever et al.	
2019/0387290	A1	12/2019	Hedlund et al.	

OTHER PUBLICATIONS

CookTek, "Rectangular SinAqua™," Spec Sheet (May 2018).
 CookTek, "Induction Holding Well," Owner's Manual—Models IDW650S, IDW650L (Jan. 2017).
 CookTek, "SinAqua™ Induction Holding Well," Owner's Manual—Models IHW061-22, IHW061-24, IHW061-34, etc. (Jan. 2017).
 Extended European Search Report issued in Appl. No. EP21178646.2 (dated Nov. 12, 2021).

* cited by examiner

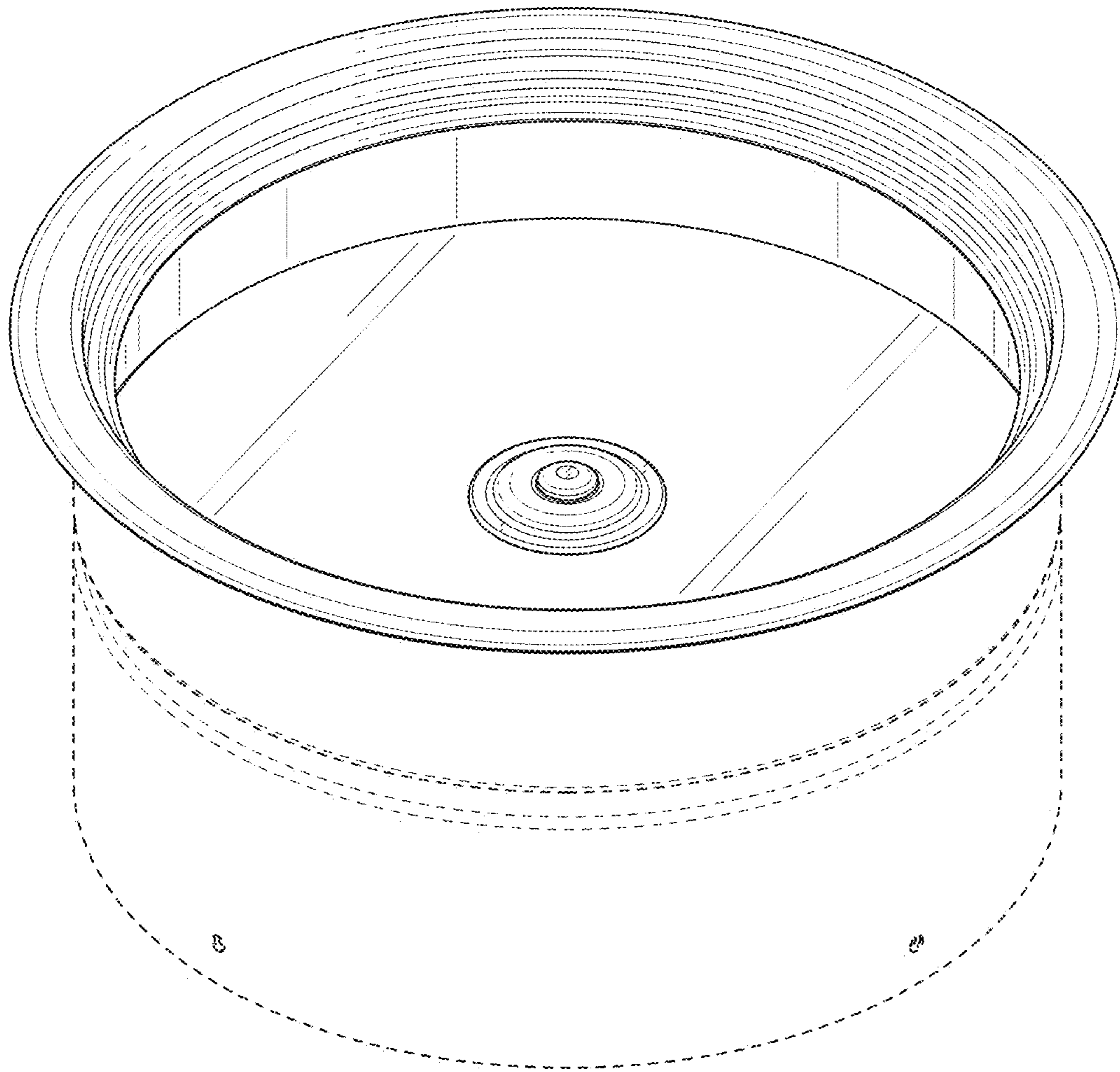


FIG. 1

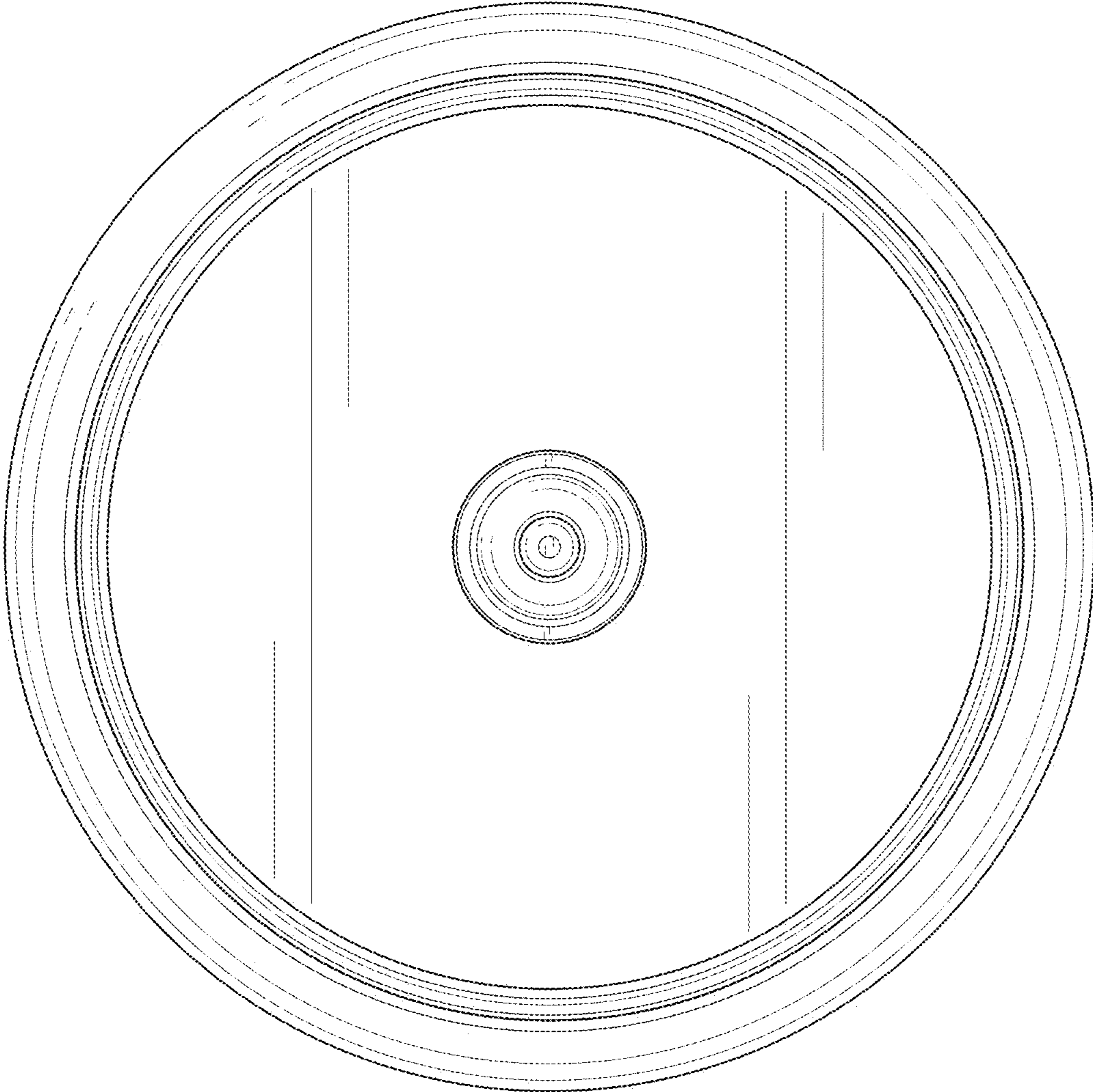


FIG. 2

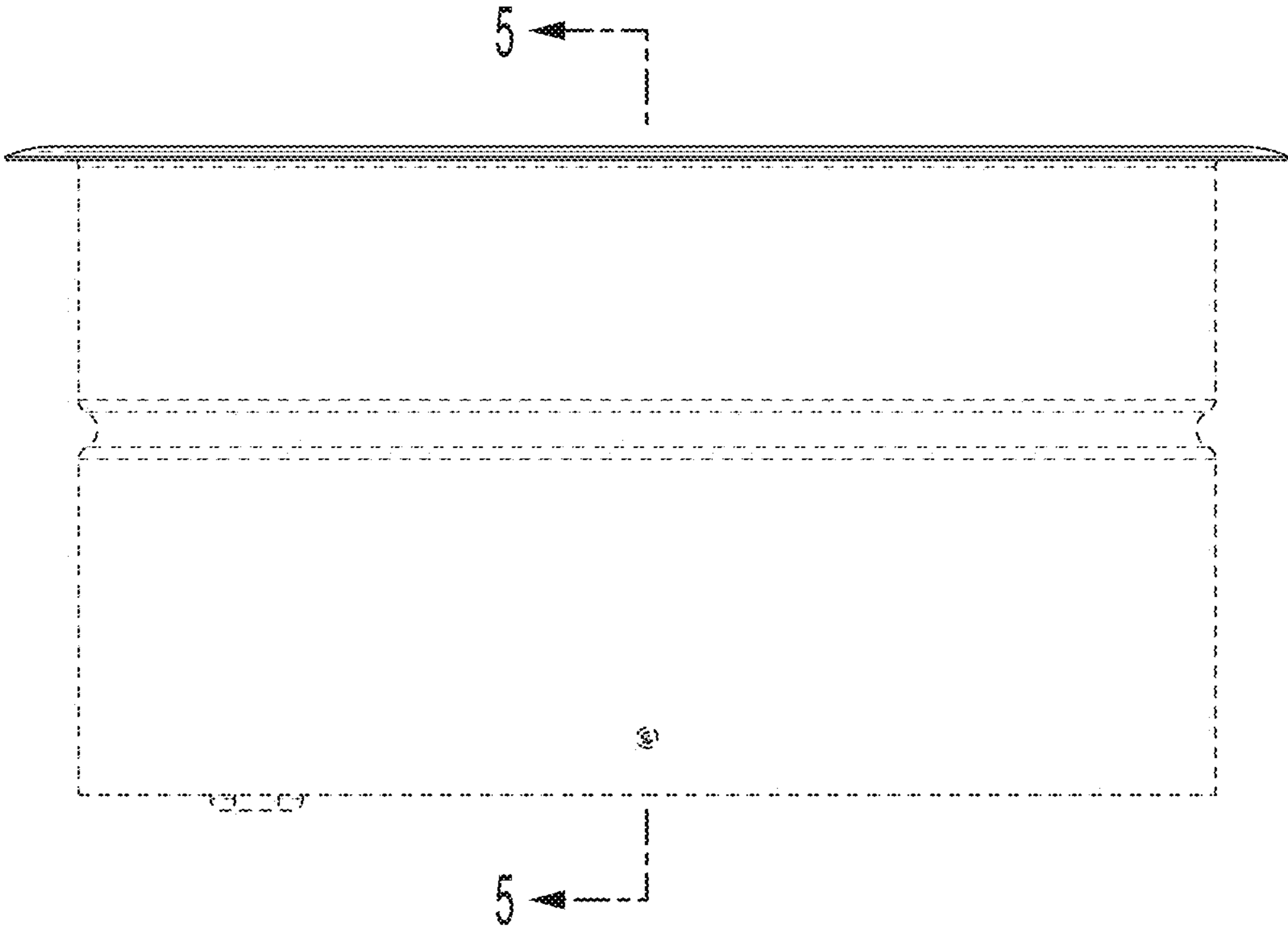


FIG. 3

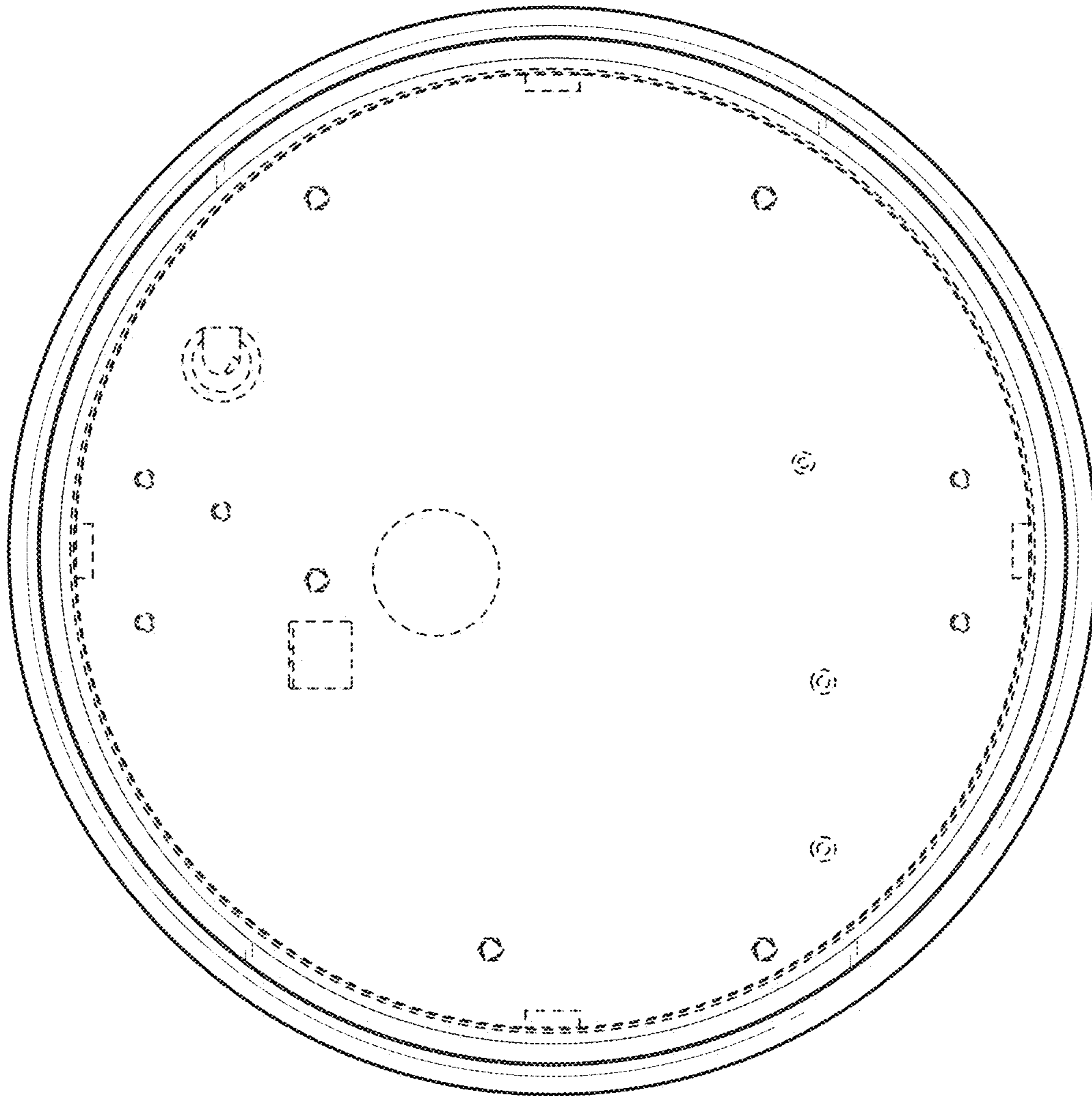


FIG. 4

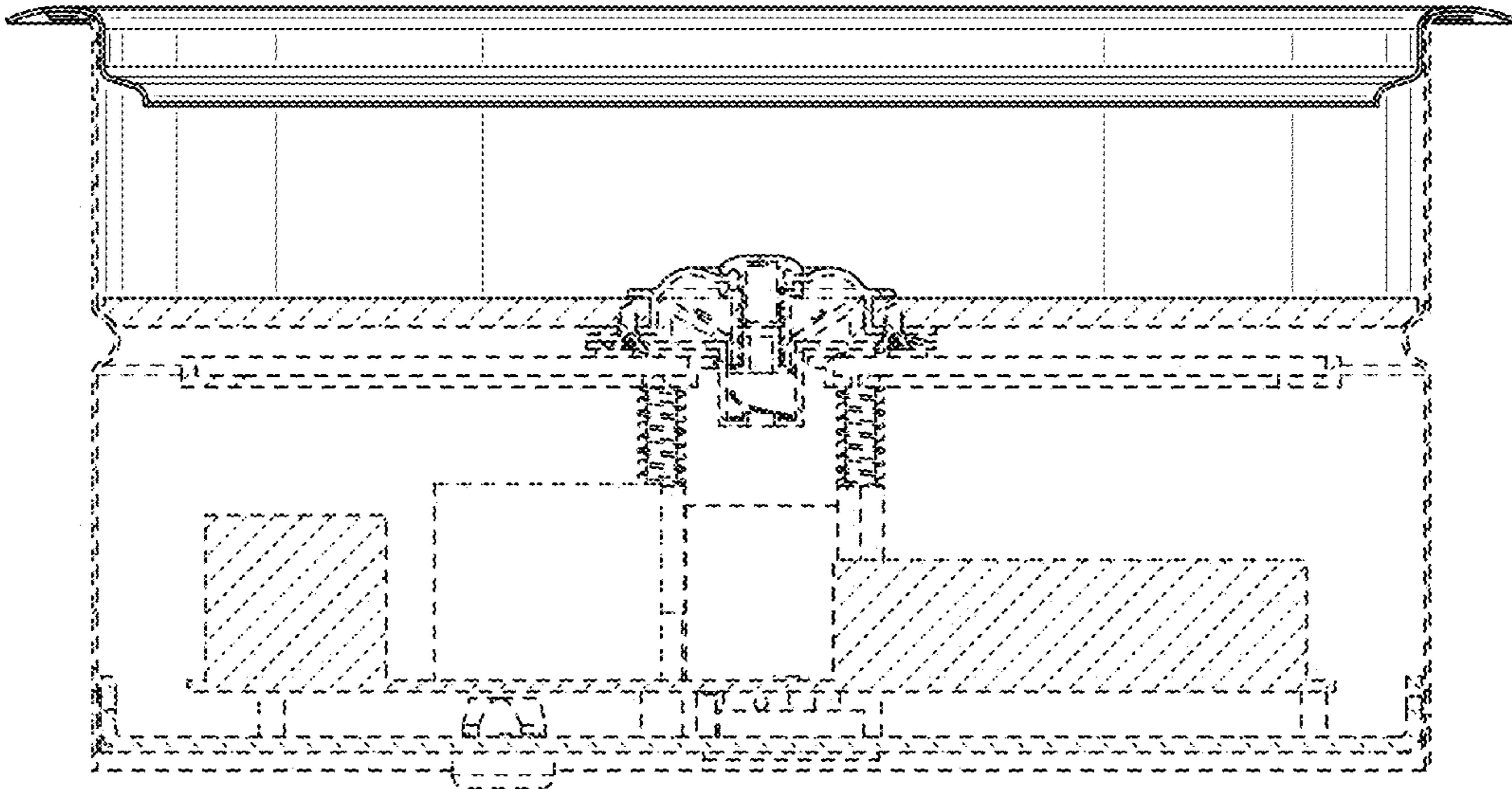


FIG. 5