



US00D978603S

(12) **United States Design Patent** (10) **Patent No.:** **US D978,603 S**
Li (45) **Date of Patent:** **** Feb. 21, 2023**

(54) **SLOW COOKING STICK**
(71) Applicant: **MIDEA GROUP CO., LTD.**, Foshan (CN)
(72) Inventor: **Shuang Li**, Guangdong (CN)
(73) Assignee: **MIDEA GROUP CO., LTD.**, Foshan (CN)
(**) Term: **15 Years**
(21) Appl. No.: **35/513,700**
(22) Filed: **Nov. 25, 2021**

D850,844 S * 6/2019 Yang D7/323
D853,776 S * 7/2019 Xu D7/354
D862,154 S * 10/2019 Van Den Nieuwenhuizen
D7/362
D891,848 S * 8/2020 Van Den Nieuwenhuizen
D7/354
11,116,349 B2 * 9/2021 Xia A47J 36/321
D962,695 S * 9/2022 Xie D7/354
2015/0342390 A1 * 12/2015 Wu B01F 33/5012
426/523
2016/0022085 A1 * 1/2016 Wu A47J 27/10
99/330
2016/0192801 A1 * 7/2016 Wu A47J 27/10
99/330
2016/0209077 A1 * 7/2016 Wu F24H 1/06
2020/0323381 A1 * 10/2020 Messler A47J 27/004

(80) **Hague Agreement Data**
Int. Filing Date: **Nov. 25, 2021**
Int. Reg. No.: **DM/218971**
Int. Reg. Date: **Nov. 25, 2021**
Int. Reg. Pub. Date: **Feb. 25, 2022**

OTHER PUBLICATIONS

Vpcook Sous Vide Machine, Immersion Cooker Circulator. Date First Available on Amazon.com Jul. 30, 2021. <https://www.amazon.com/dp/B09BJ5VGM4/ref> (Year: 2021).*

* cited by examiner

Primary Examiner — Ricky Pham

(30) **Foreign Application Priority Data**
Sep. 29, 2021 (CN) 202130650751.9

(51) **LOC (14) Cl.** **07-02**
(52) **U.S. Cl.** **D7/354**
USPC

(57) **CLAIM**

The ornamental design for a slow cooking stick, as shown and described.

(58) **Field of Classification Search**
USPC D7/323, 354-362, 368; D13/107
CPC A47J 27/00; A47J 27/004; A47J 27/04;
A47J 27/05; A47J 27/08; A47J 27/0808;
A47J 27/09; A47J 27/092; A47J 27/10;
A47J 36/025; A47J 36/06; A47J 36/08;
A47J 36/10; A47J 36/12; A47J 36/321;
A47J 37/12; A47J 37/1204; A47J
37/1209; B01F 33/5012; F24H 1/06;
H05B 6/02; H05B 6/06; H05B 6/12
See application file for complete search history.

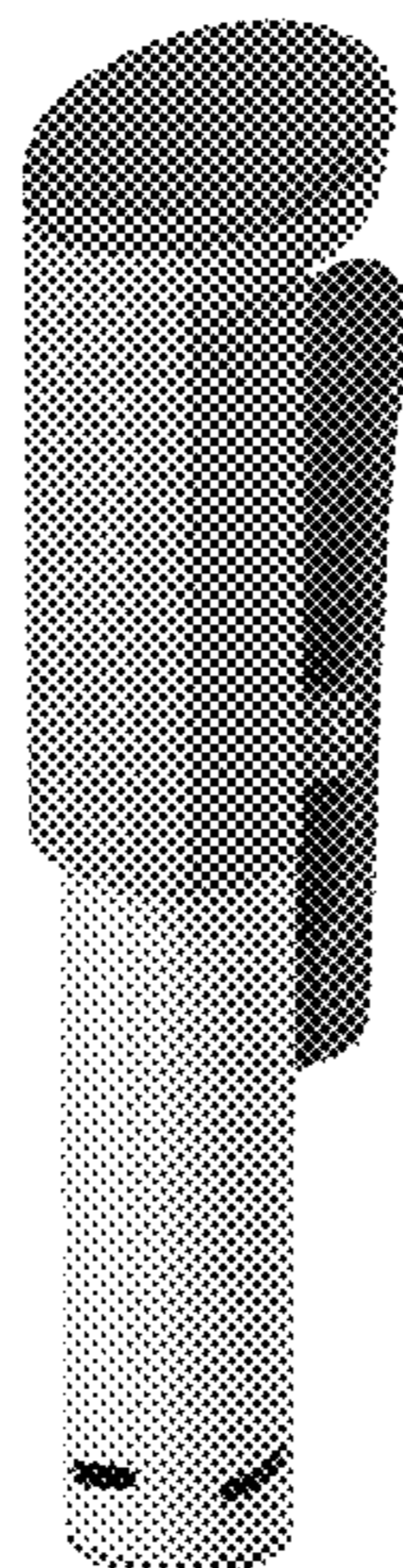
DESCRIPTION

- 1. Slow cooking stick
- 1.1 : Front
- 1.2 : Back
- 1.3 : Left
- 1.4 : Right
- 1.5 : Top
- 1.6 : Bottom
- 1.7 : Perspective

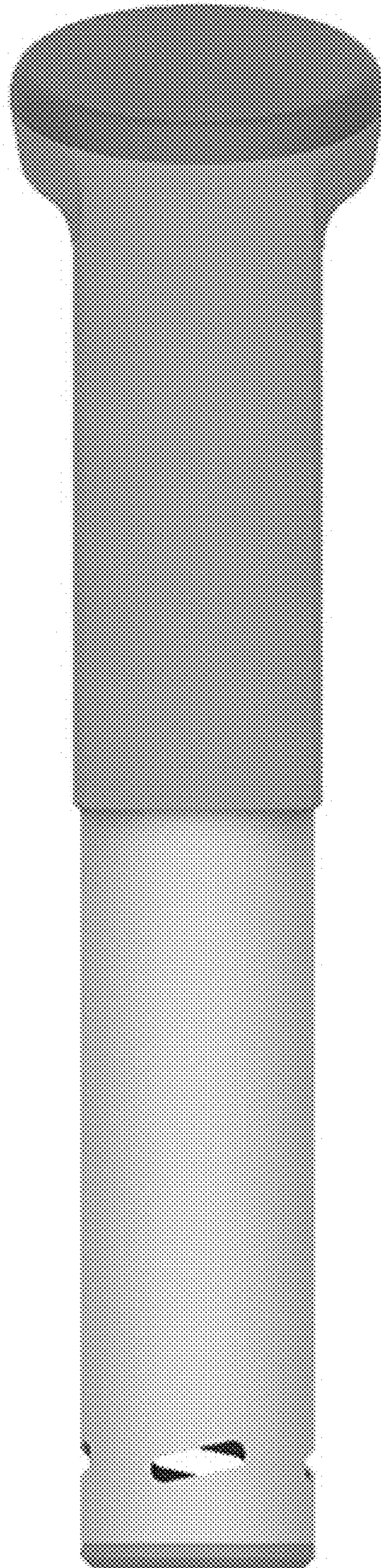
(56) **References Cited**
U.S. PATENT DOCUMENTS

D748,052 S * 1/2016 Behar D13/107
D836,967 S * 1/2019 Lin D7/354

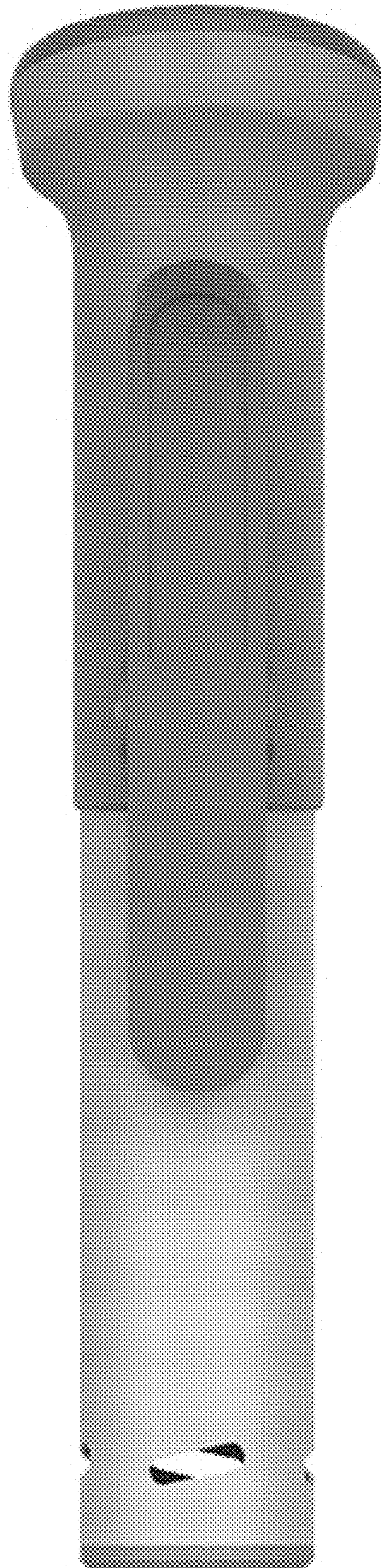
1 Claim, 7 Drawing Sheets



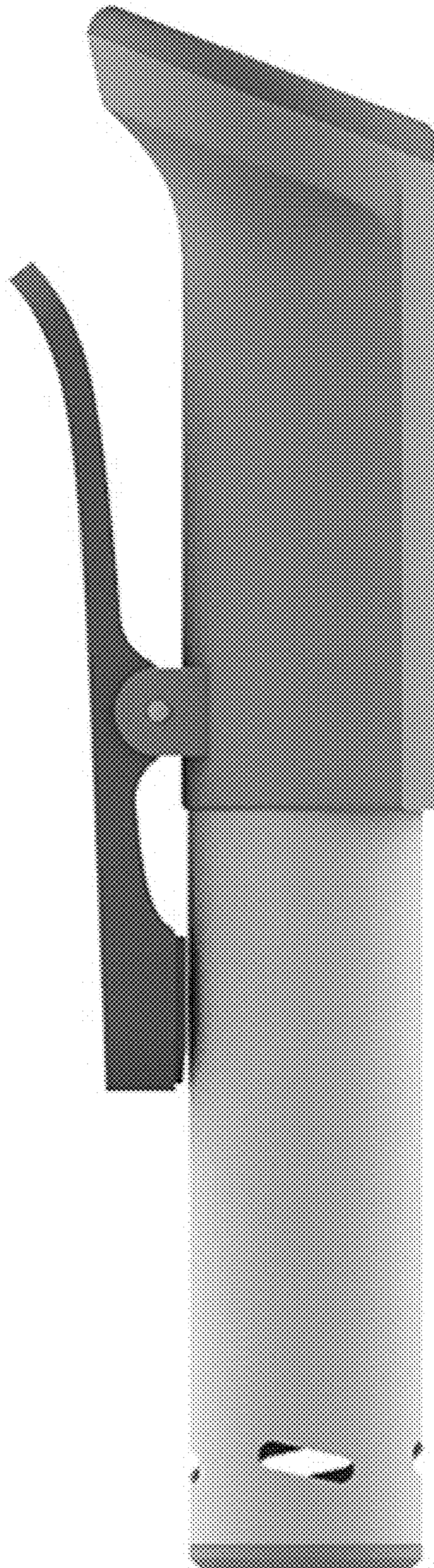
1.1



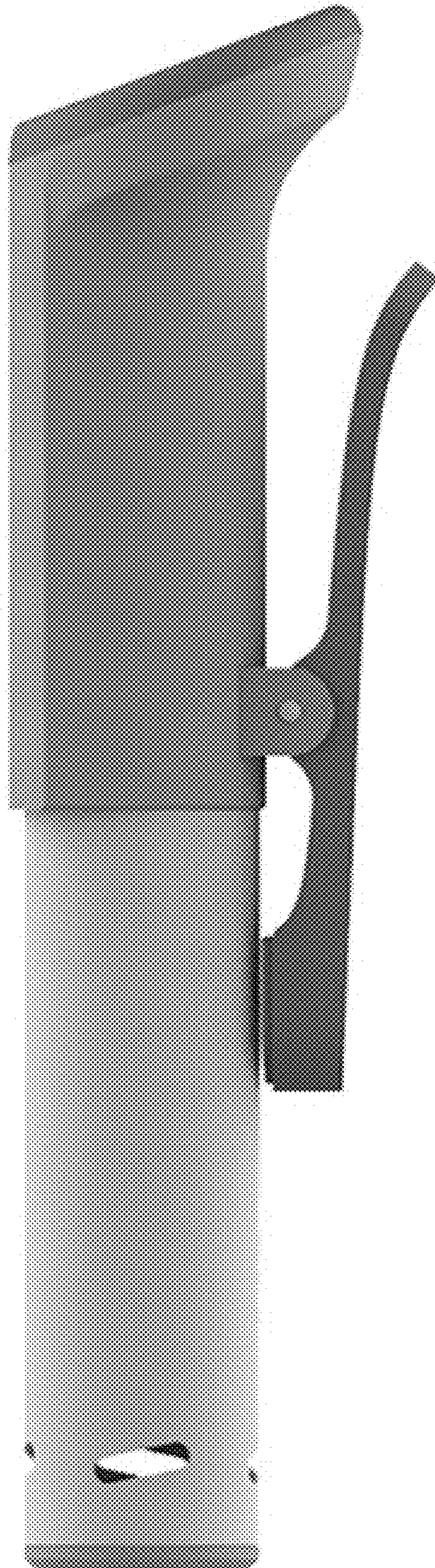
1.2



1.3



1.4



1.5



1.6



1.7

