



US00D978602S

(12) **United States Design Patent** (10) **Patent No.:** **US D978,602 S**
Feng et al. (45) **Date of Patent:** **** Feb. 21, 2023**

(54) **AIR FRYER**
(71) Applicant: **MIDEA GROUP CO., LTD.**,
Guangdong (CN)
(72) Inventors: **Yan Feng**, Guangdong (CN); **Shuang Li**, Guangdong (CN)
(73) Assignee: **MIDEA GROUP CO., LTD.**, Foshan (CN)
(**) Term: **15 Years**

D817,698 S * 5/2018 Liu D7/354
D820,029 S * 6/2018 Zhang D7/354
D820,030 S * 6/2018 Zhang D7/354
D820,031 S * 6/2018 Zhang D7/354
D836,381 S * 12/2018 Moon D7/354
D839,040 S * 1/2019 Seymour D7/354
D841,388 S * 2/2019 Zhang D7/354
D848,198 S * 5/2019 Kowalewski D7/354
D848,199 S * 5/2019 Kowalewski D7/354
D848,200 S * 5/2019 Kowalewski D7/354
D871,827 S * 1/2020 Moon D7/354
D873,600 S * 1/2020 Hu D7/354
D878,138 S * 3/2020 Van Ratingen D7/354
D878,850 S * 3/2020 Hu D7/354

(Continued)

(21) Appl. No.: **35/511,390**

(22) Filed: **Oct. 30, 2020**

(80) **Hague Agreement Data**

Int. Filing Date: **Oct. 30, 2020**
Int. Reg. No.: **DM/212523**
Int. Reg. Date: **Oct. 30, 2020**
Int. Reg. Pub. Date: **Feb. 12, 2021**

(30) **Foreign Application Priority Data**

Jul. 2, 2020 (CN) 202030352035.8

(51) **LOC (14) Cl.** **07-02**

(52) **U.S. Cl.**
USPC **D7/354**

(58) **Field of Classification Search**
USPC D7/323, 354, 355, 358, 361
CPC A47J 37/06; A47J 37/0623; A47J 37/0629;
A47J 37/0641; A47J 27/00
See application file for complete search history.

(56) **References Cited**

U.S. PATENT DOCUMENTS

D692,718 S * 11/2013 Verbrugge A47J 37/0641
D7/354
D719,397 S * 12/2014 Krooshof A47J 37/0641
D7/354

OTHER PUBLICATIONS

Ninja Air Fryer, amazon.com, <https://www.amazon.com/Ninja-AF101-Fryer-Black-gray/dp/B07FDJMC9Q> (Year: 2018).*

(Continued)

Primary Examiner — Steven J Czyz
(74) *Attorney, Agent, or Firm* — Morgan, Lewis & Bockius LLP

(57) **CLAIM**

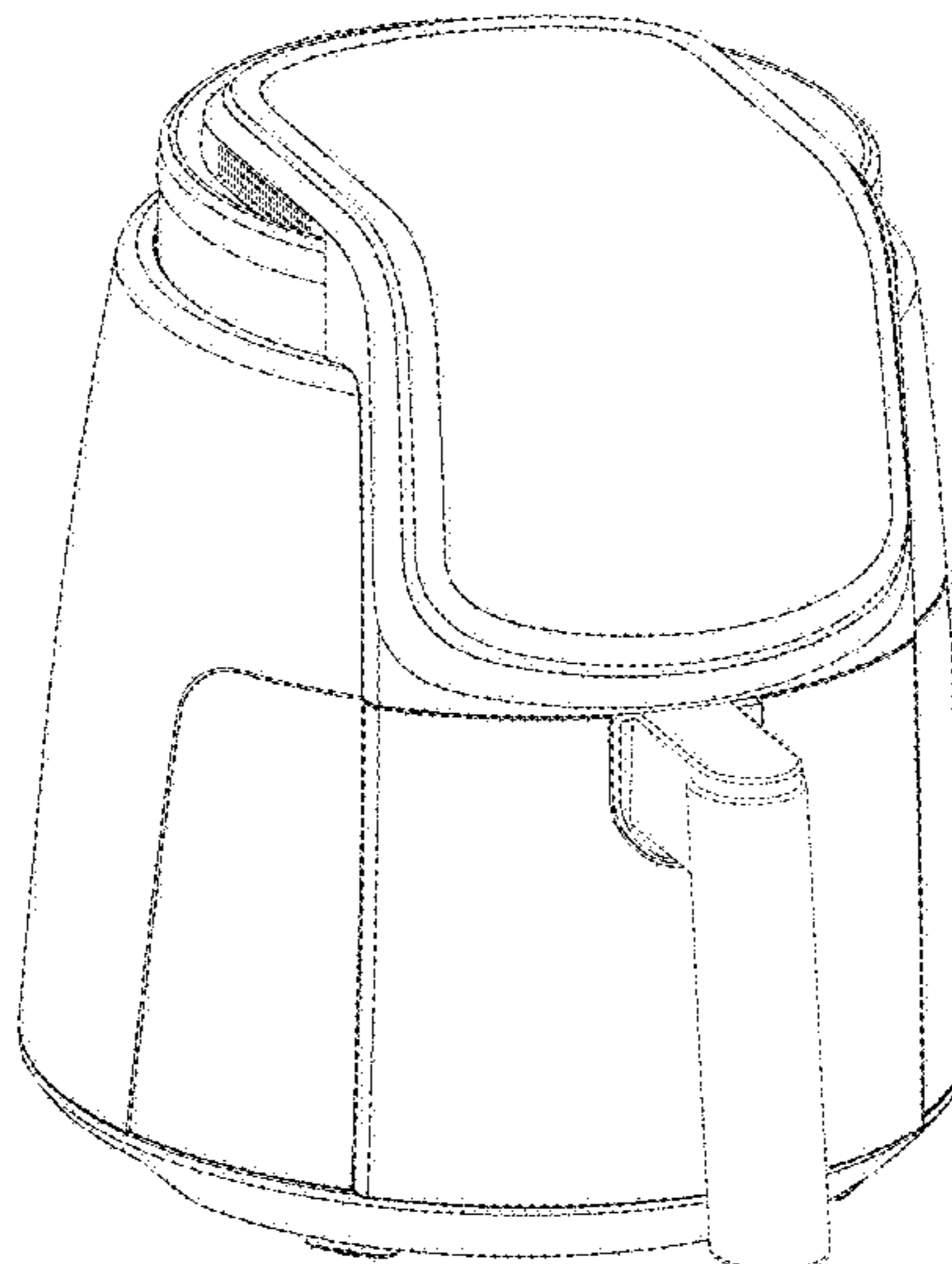
The ornamental design for an air fryer, as shown and described.

DESCRIPTION

- 1. Air fryer
- 1.1 : Front
- 1.2 : Back
- 1.3 : Left
- 1.4 : Right
- 1.5 : Top
- 1.6 : Bottom
- 1.7 : Perspective
- 1.8 : Perspective

The broken lines depict portions of the air fryer that form no part of the claimed design.

1 Claim, 8 Drawing Sheets



(56)

References Cited

U.S. PATENT DOCUMENTS

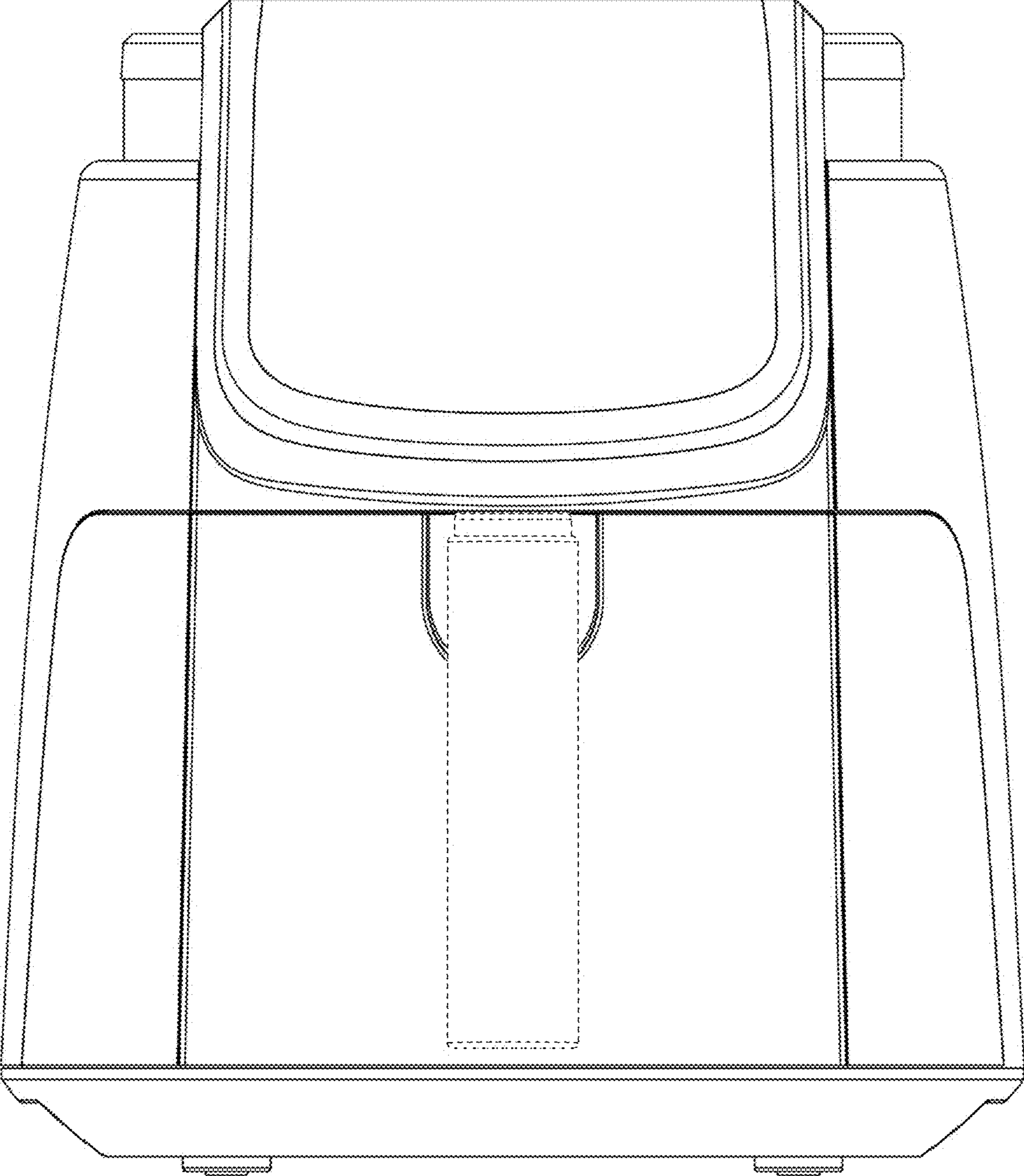
D883,729 S * 5/2020 Yang D7/354
D891,849 S * 8/2020 Yang D7/354
D901,229 S * 11/2020 Ou D7/354
D923,386 S * 6/2021 Lin D7/354
11,045,046 B1 * 6/2021 Man A47J 37/0641
D932,232 S * 10/2021 Yang D7/354
D933,415 S * 10/2021 Yang D7/354
D934,021 S * 10/2021 Luo D7/354
D937,623 S * 12/2021 Qin D7/354
D938,219 S * 12/2021 Wu D7/354
D939,886 S * 1/2022 Yang D7/354
D943,336 S * 2/2022 Tan A47J 37/00
D7/354
D946,962 S * 3/2022 Qin A47J 37/0641
D7/354
D947,592 S * 4/2022 Chen A47J 37/0641
D7/354
D949,624 S * 4/2022 Dash D7/354
2014/0366746 A1 * 12/2014 Tsai A47J 37/00
99/403
2019/0290062 A1 * 9/2019 Prieto A47J 37/108

OTHER PUBLICATIONS

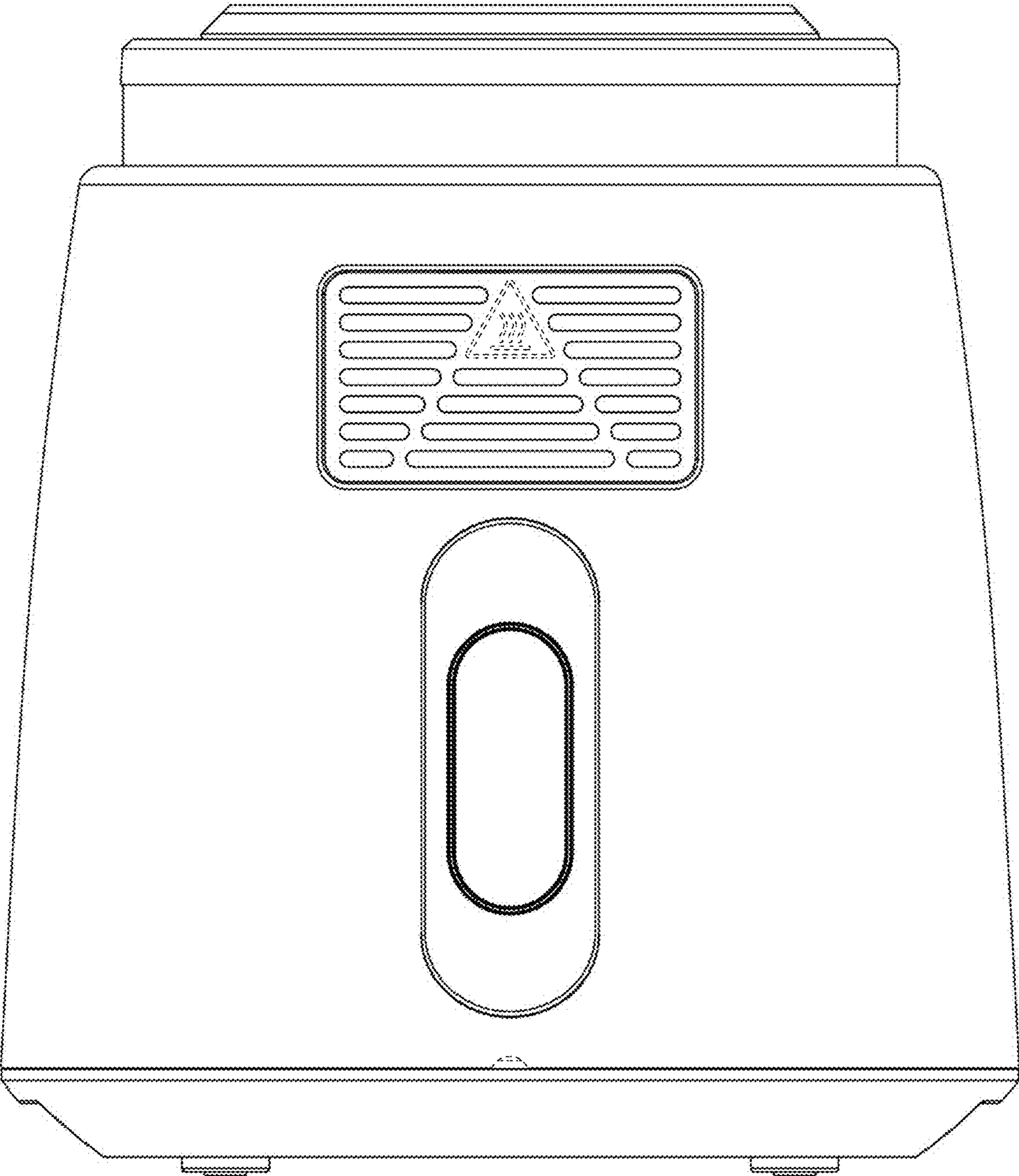
Leuwd Air Fryer, amazon.com, https://www.amazon.com/Mothers-Cookbook-Oil-free-Countertop-Functions/dp/B09KL5JKB9?ref_ast_sto_dp (Year: 2021).*

* cited by examiner

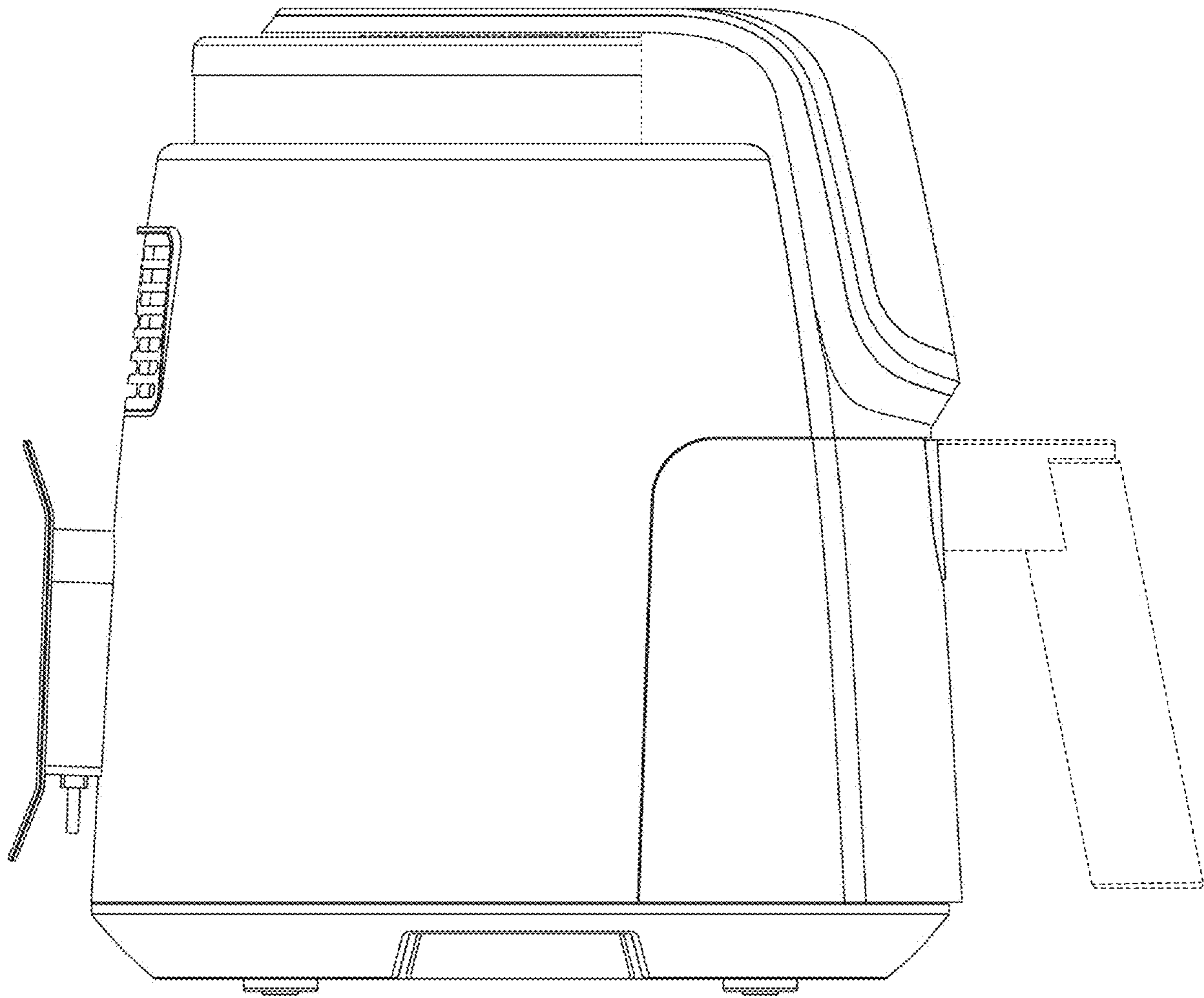
1.1



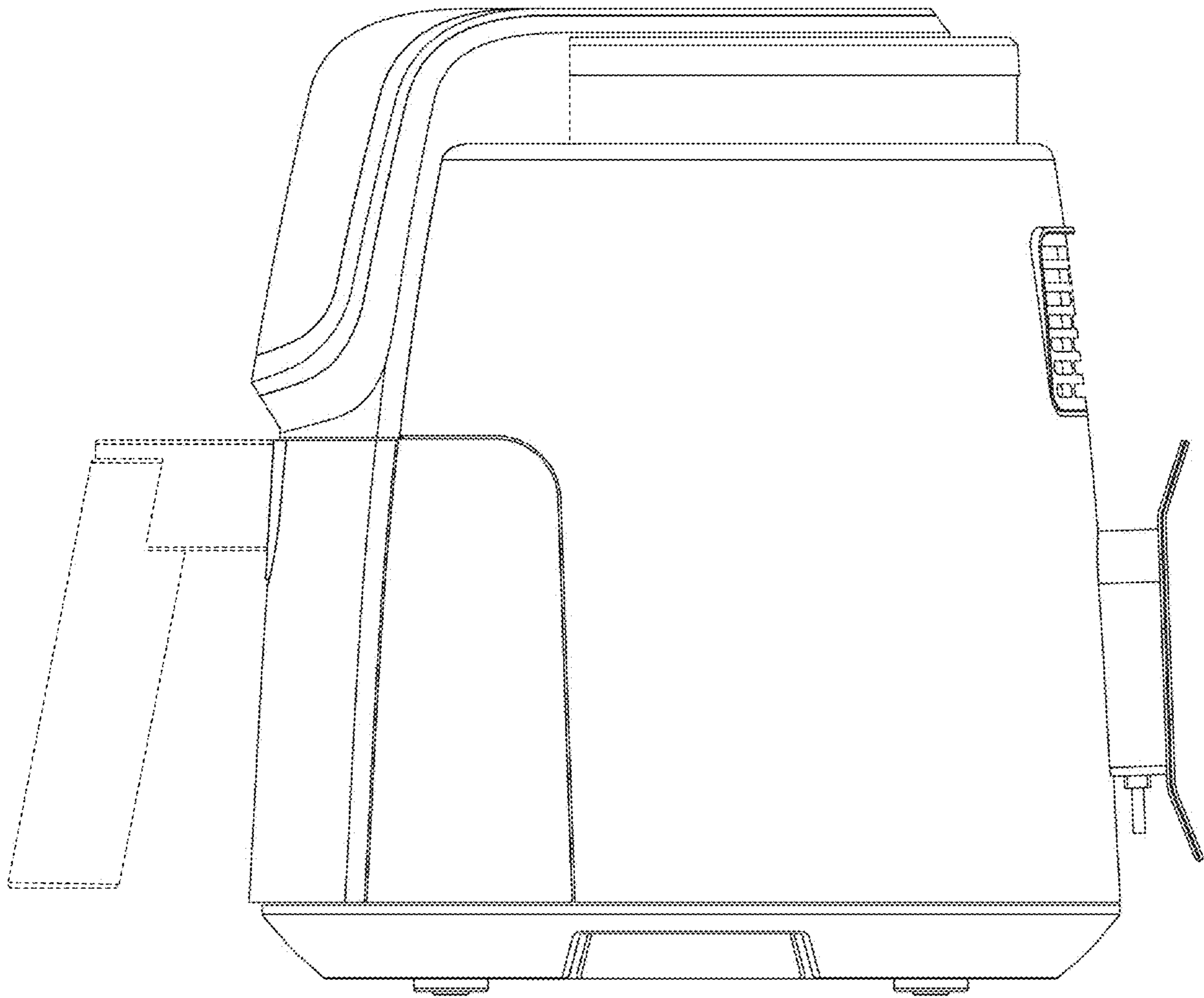
1.2



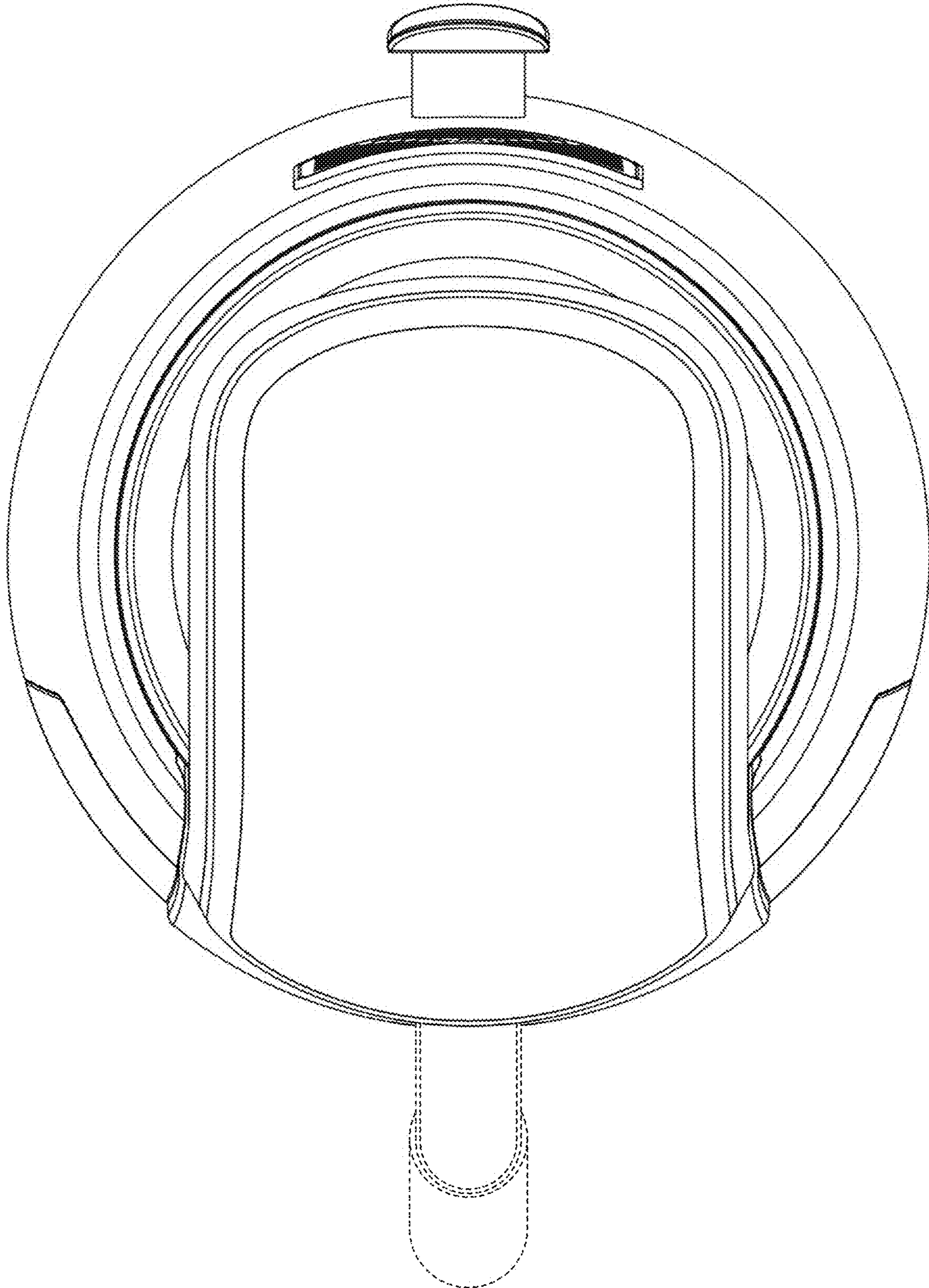
1.3



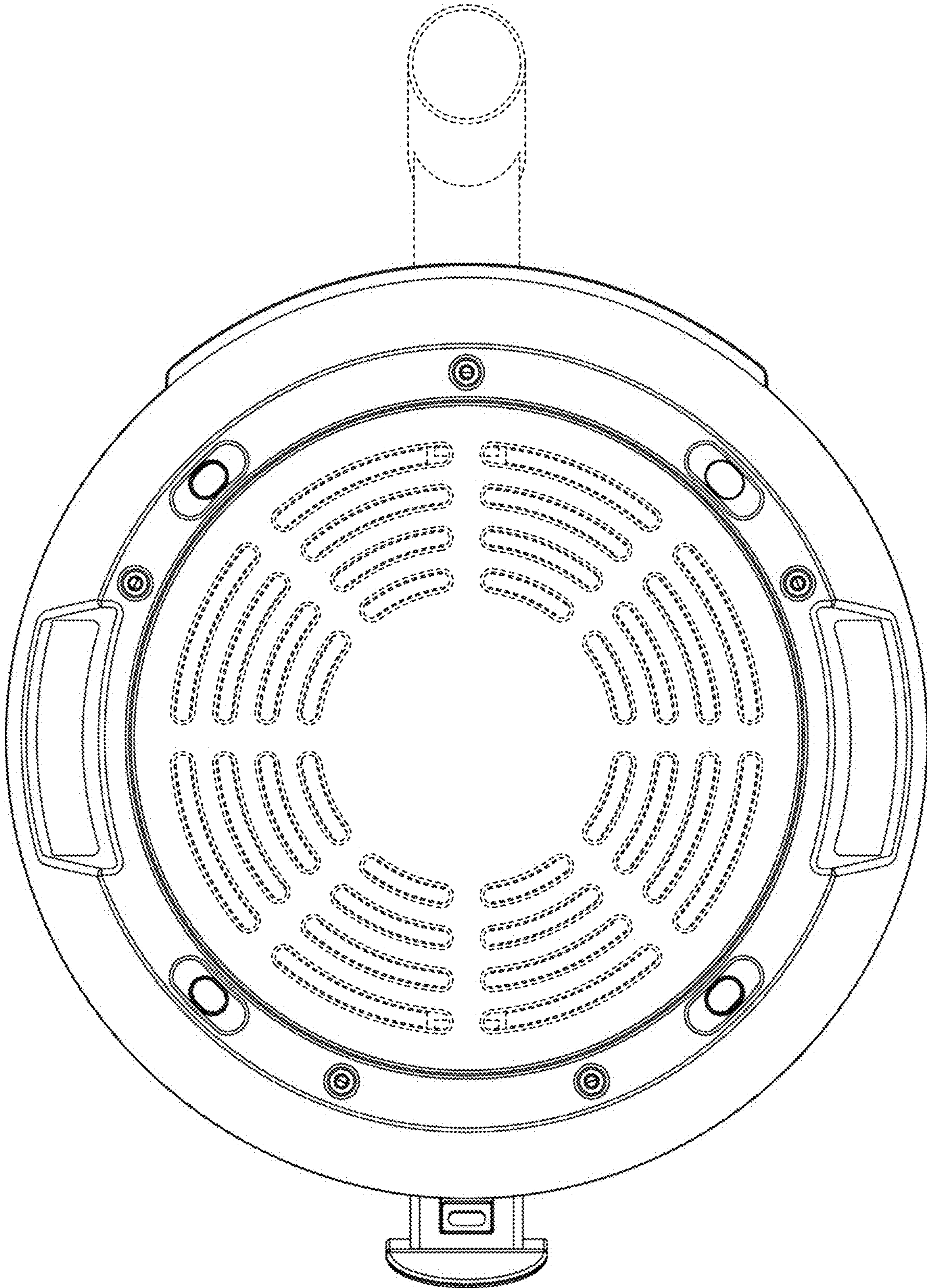
1.4



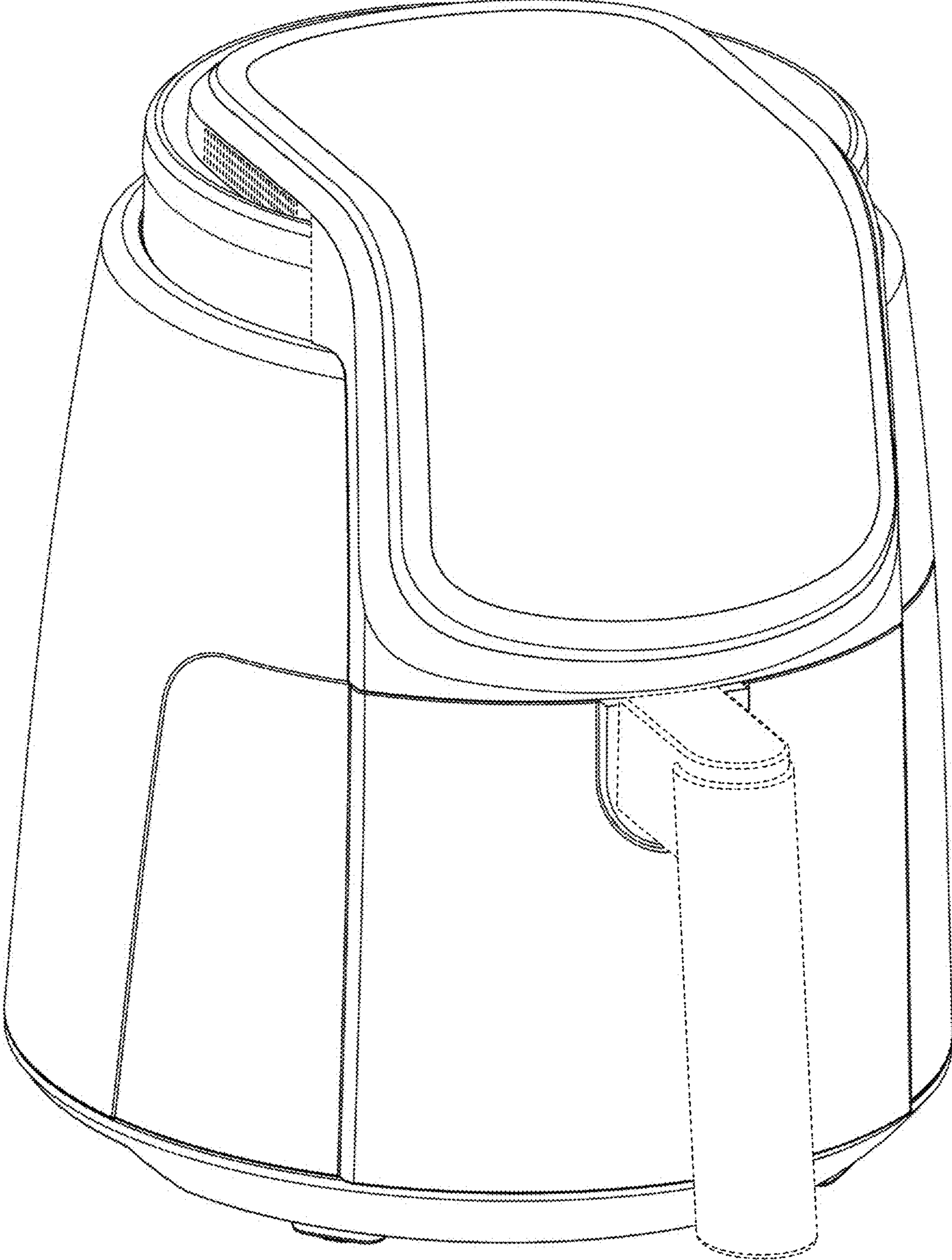
1.5



1.6



1.7



1.8

