



US00D978601S

(12) **United States Design Patent** (10) **Patent No.:** **US D978,601 S**
Smith (45) **Date of Patent:** **** Feb. 21, 2023**

(54) **INCLINED TIERED PAN**
(71) Applicant: **Raymond Smith**, Wirral (GB)
(72) Inventor: **Raymond Smith**, Wirral (GB)
(**) Term: **15 Years**
(21) Appl. No.: **29/864,539**
(22) Filed: **Jun. 3, 2022**
(51) **LOC (14) Cl.** **07-02**
(52) **U.S. Cl.**
USPC **D7/354; D7/409**
(58) **Field of Classification Search**
USPC D7/323, 354–363, 391, 393–396, 402,
D7/409, 542, 553.6, 586; D8/399, 402;
D27/133
CPC A47G 19/12; A47J 27/00; A47J 27/002;
A47J 27/08; A47J 27/21; A47J 27/58;
A47J 36/025; A47J 36/06; A47J 36/12;
A47J 37/00; A47J 37/10; A47J 37/101;
A47J 37/103; A47J 37/12; A47J 37/1204;
A47J 45/061; A47J 45/071; A47J 45/08;
H05B 6/12; A47B 11/00; B65D 77/003
See application file for complete search history.

(56) **References Cited**
U.S. PATENT DOCUMENTS
846,948 A * 3/1907 Richter A47B 11/00
248/349.1
D120,409 S * 5/1940 Meyers 131/240.1
D310,324 S * 9/1990 Bernacchi D8/352
D379,922 S * 6/1997 Adams D8/499
D395,195 S * 6/1998 Heiberg D7/391
D489,972 S * 5/2004 Lin D7/553.6
D516,867 S * 3/2006 Martin D7/586
D586,612 S * 2/2009 Rae D7/354
D594,270 S * 6/2009 Rae D7/354
D599,612 S * 9/2009 Hoekstra D7/354

D624,354 S * 9/2010 Odeh D7/354
D832,023 S * 10/2018 Barberi D7/354
2003/0006151 A1* 1/2003 Lin B65D 77/003
206/216

OTHER PUBLICATIONS

UK Design, Unkown Origin, 2016; p. 1.

* cited by examiner

Primary Examiner — Ricky Pham

(74) *Attorney, Agent, or Firm* — Allen, Dyer, Doppelt + Gilchrist, PA

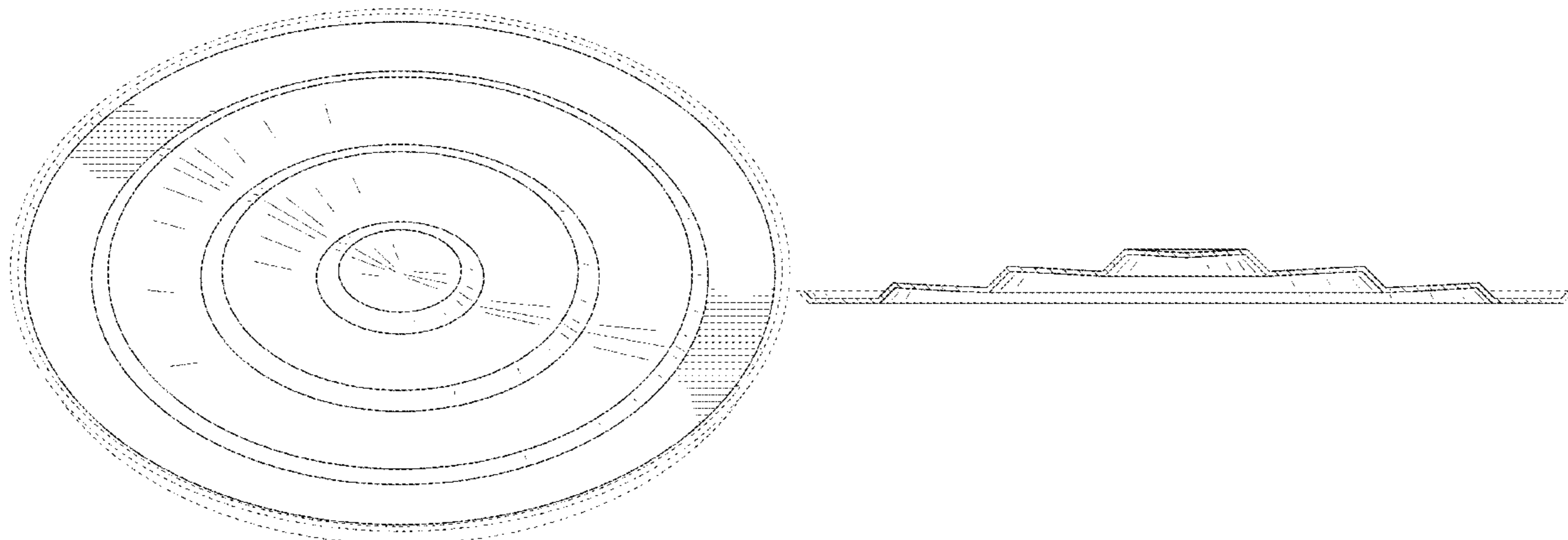
(57) **CLAIM**

The ornamental design for an inclined tiered pan, as shown and described.

DESCRIPTION

FIG. 1 is a perspective view of the inclined tiered pan;
FIG. 2 is a front elevational view of the inclined tiered pan;
FIG. 3 is a back elevational view of the inclined tiered pan;
FIG. 4 is a right side elevational view of the inclined tiered pan;
FIG. 5 is a left side elevational view of the inclined tiered pan;
FIG. 6 is a top plan view of the inclined tiered pan;
FIG. 7 is a bottom plan view of the inclined tiered pan;
FIG. 8 is a cross-section view of the inclined tiered pan taken in the direction of line 8-8 of FIG. 2; and,
FIG. 9 is a cross-section view of the inclined tiered pan taken in the direction of line 9-9 of FIG. 4.
The broken lines define the bounds of the claimed design and form no part thereof.

1 Claim, 6 Drawing Sheets



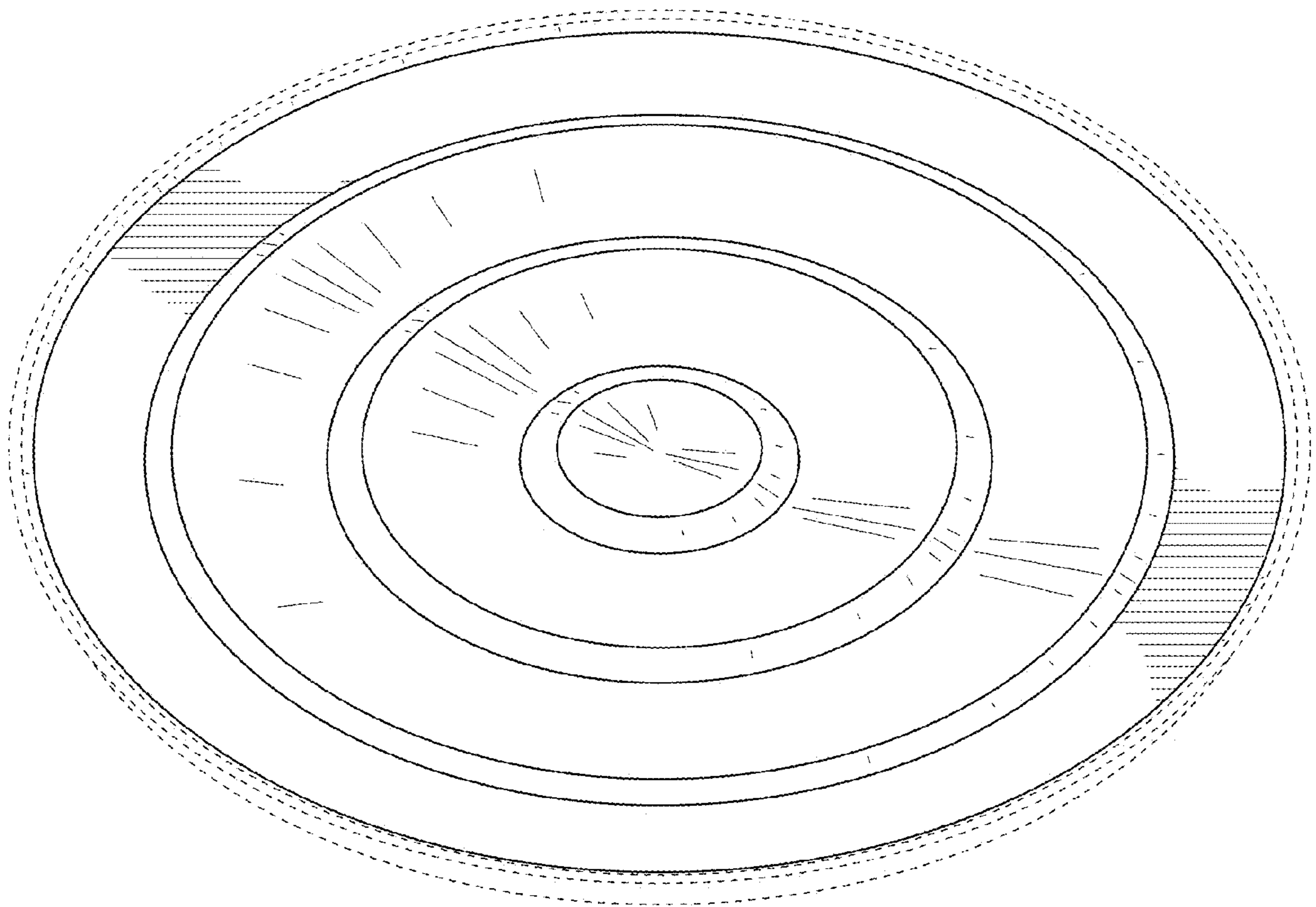


FIG. 1

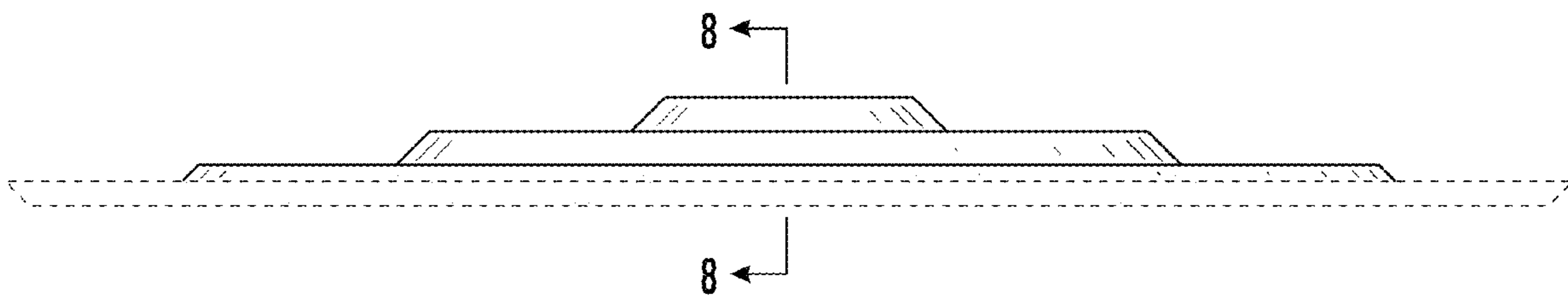


FIG. 2

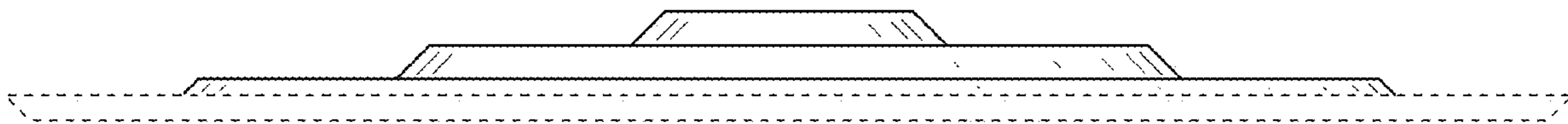
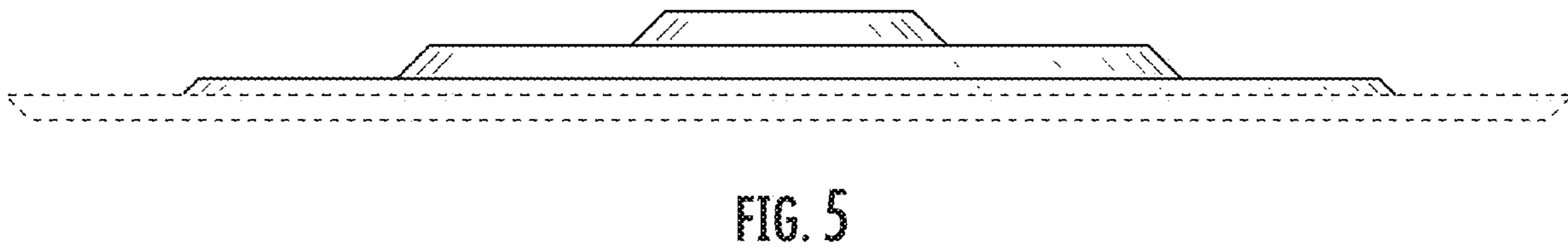
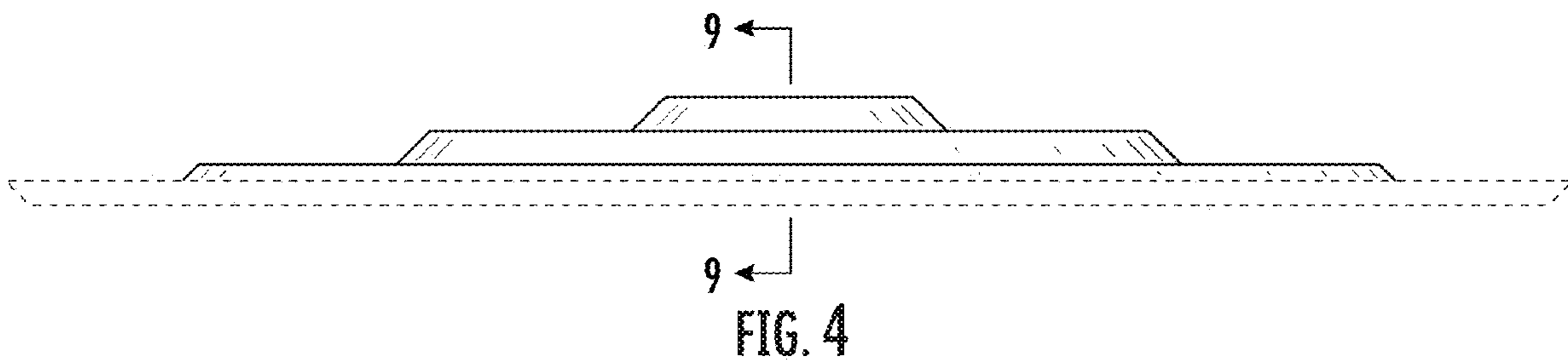


FIG. 3



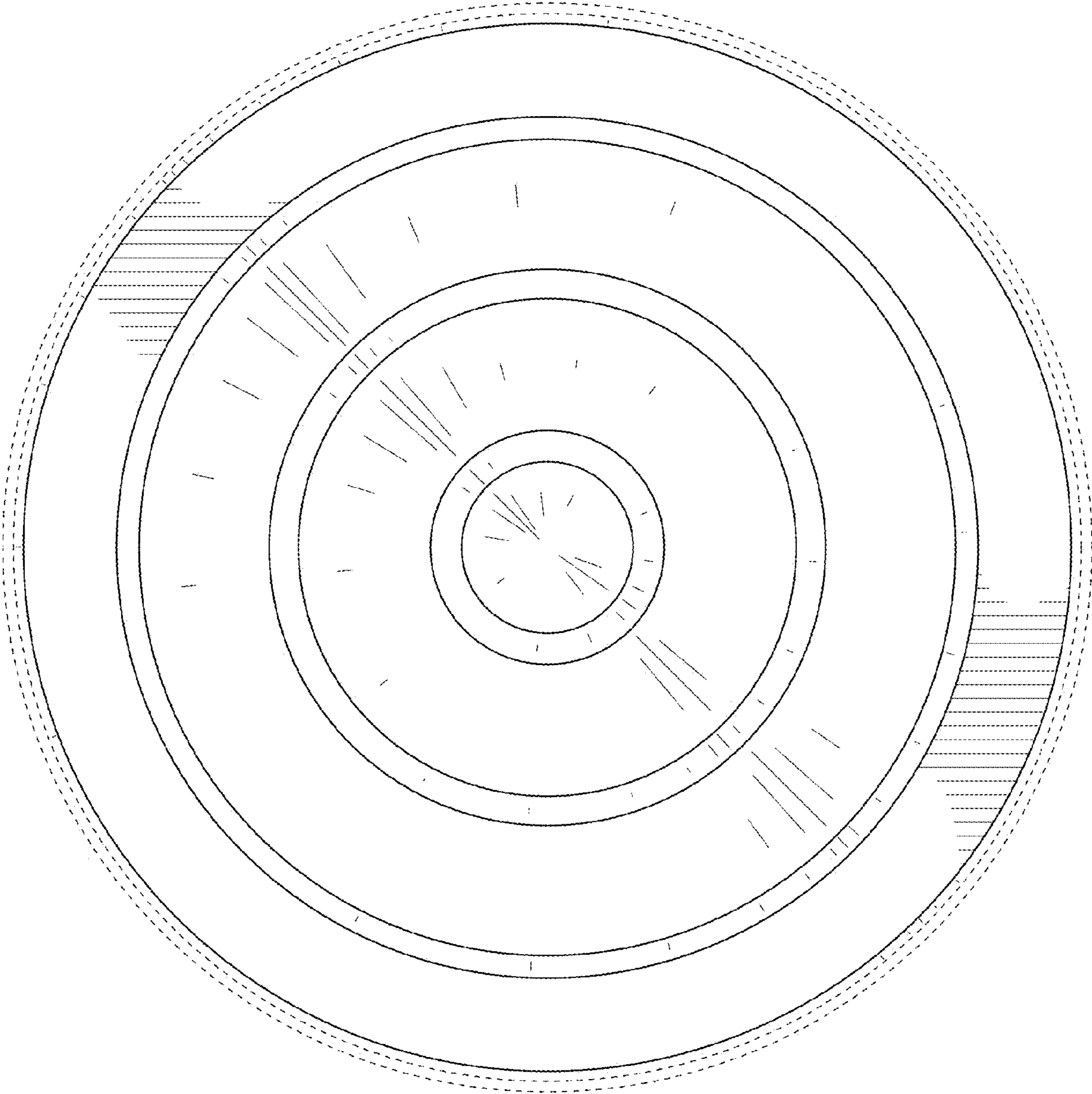


FIG. 6

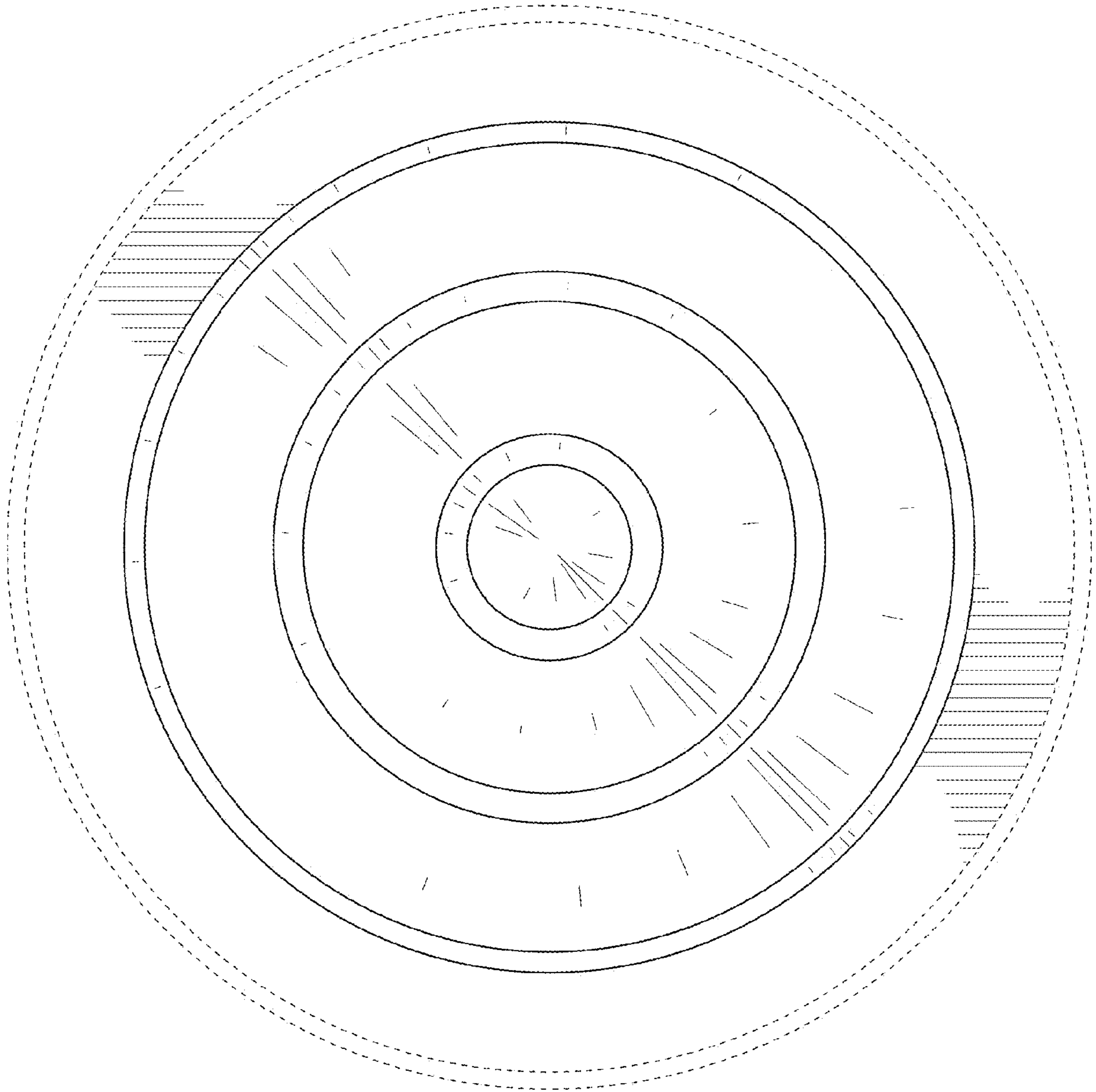


FIG. 7

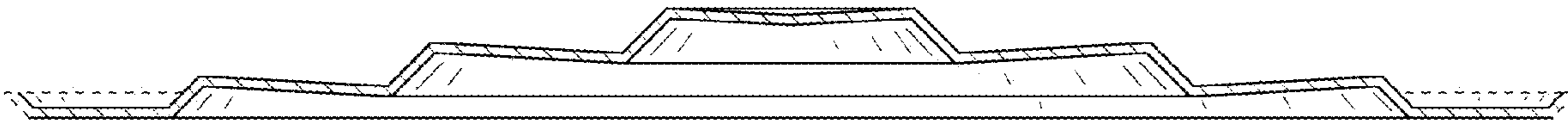


FIG. 8

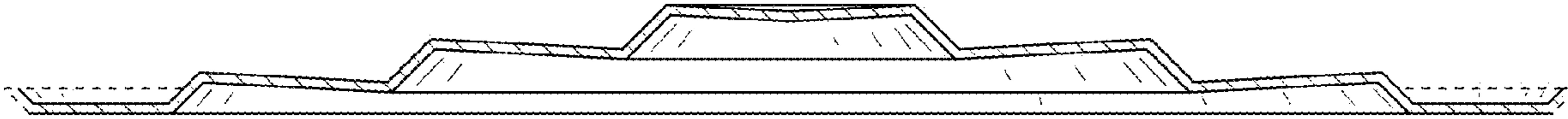


FIG. 9