



US00D978599S

(12) **United States Design Patent**
Ritchie et al.

(10) **Patent No.:** **US D978,599 S**

(45) **Date of Patent:** **** Feb. 21, 2023**

(54) **COOKING AND/OR HEATING APPARATUS**

(71) Applicant: **The Cashmere Caveman Co, Wild Kitchens Limited**, London (GB)

(72) Inventors: **Guy Stuart Ritchie**, London (GB);
Nigel Bruce True, London (GB)

(73) Assignee: **The Cashmere Caveman Co, Wild Kitchens Limited**, London (GB)

(**) Term: **15 Years**

(21) Appl. No.: **29/778,476**

(22) Filed: **Apr. 13, 2021**

(30) **Foreign Application Priority Data**

Oct. 14, 2020 (GB) 6103441

(51) **LOC (14) Cl.** **07-02**

(52) **U.S. Cl.**
USPC **D7/348**

(58) **Field of Classification Search**

USPC D7/323, 328–330, 334, 339–349, 390,
D7/402–406; D8/300–306; D15/144
CPC .. A21B 2/00; A23B 4/052; A47J 37/00; A47J
37/06; A47J 37/0611; A47J 37/0704;
A47J 37/0731; A47J 37/0781; A47J
37/08; A47J 37/0807; A47J 37/0814;
A47J 37/0835; A47J 37/0842; A47J
37/085; A47J 37/0864; A47J 37/0878;
A47J 37/0885; A47J 37/0892; F24B
1/202; F24B 1/205; F24C 7/00; F24C
7/002; F24C 7/046; F24C 7/067; F24C
15/02; F24C 15/04; F24C 15/10; F24C
15/102

See application file for complete search history.

(56) **References Cited**

U.S. PATENT DOCUMENTS

2,922,414 A * 1/1960 Brender F24B 1/202
D7/332
3,489,131 A * 1/1970 Richins F24B 1/205
126/9 R

D254,865 S 4/1980 Saye
D262,651 S 1/1982 Louderback
D360,423 S * 7/1995 Neal D15/144
D380,933 S * 7/1997 Schlosser D7/334
6,039,039 A 3/2000 Pina, Jr.

(Continued)

Primary Examiner — Ricky Pham

(74) *Attorney, Agent, or Firm* — Morrison & Foerster
LLP

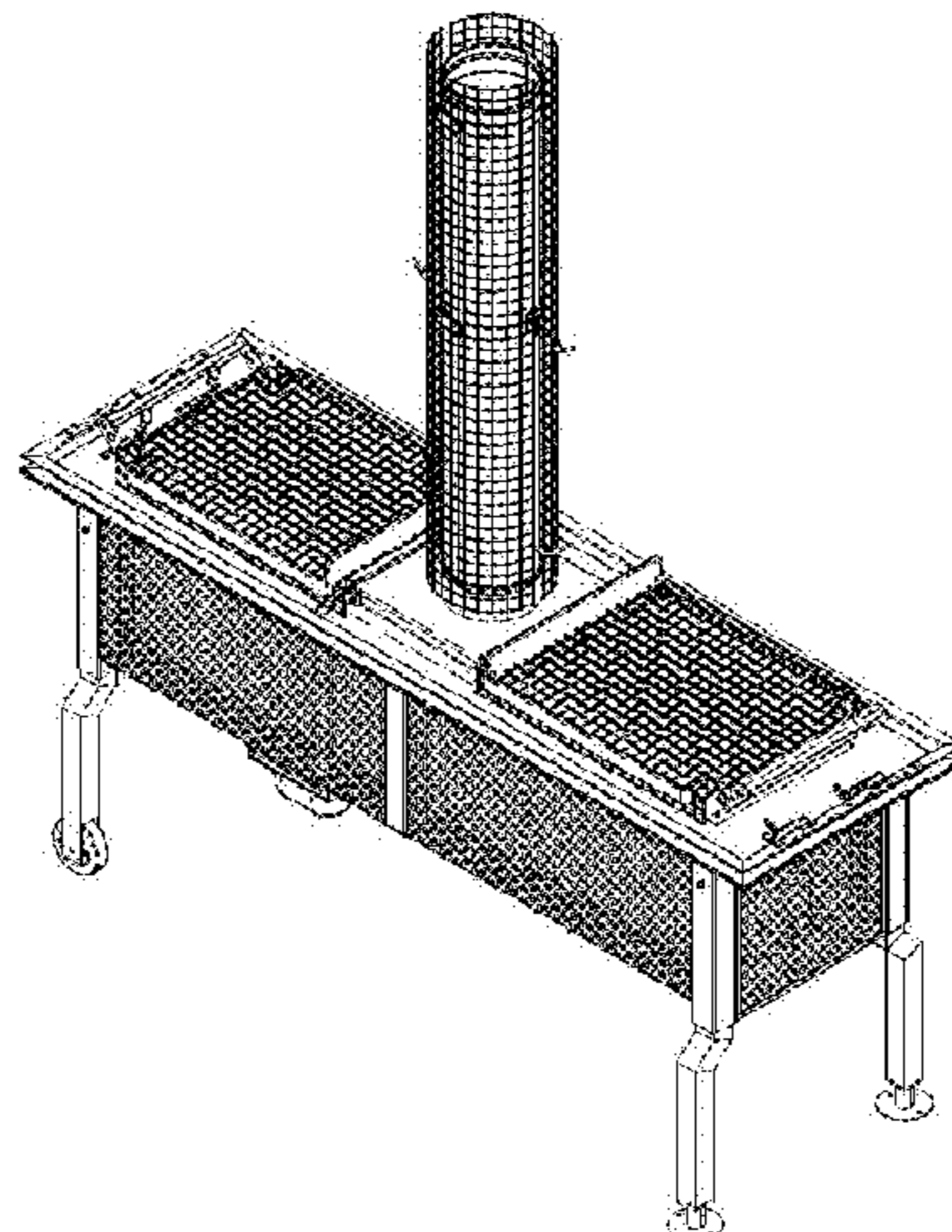
(57) **CLAIM**

The ornamental design for a cooking and/or heating apparatus, as shown and described.

DESCRIPTION

FIG. 1 illustrates a perspective view of a cooking and/or heating apparatus employing an ornamental design in accordance with the present invention;
FIG. 2 is a left side view of the cooking and/or heating apparatus of FIG. 1;
FIG. 3 is a right side view of the cooking and/or heating apparatus of FIG. 1;
FIG. 4 is a back view of the cooking and/or heating apparatus of FIG. 1;
FIG. 5 is a front view of the cooking and/or heating apparatus of FIG. 1;
FIG. 6 is a top view of the cooking and/or heating apparatus of FIG. 1;
FIG. 7 is a bottom view of the cooking and/or heating apparatus of FIG. 1; and,
FIG. 8 is a top perspective view of the cooking and/or heating apparatus of FIG. 1.
The broken lines shown in the drawings represent unclaimed portions of the structure and form no part of the claimed design. Furthermore, the interior surfaces that are shown without surface shading form no part of the claimed design.

1 Claim, 8 Drawing Sheets



(56)

References Cited

U.S. PATENT DOCUMENTS

6,302,097 B1 * 10/2001 Rivera A47J 37/0781
126/41 R
D450,524 S * 11/2001 Measom D7/332
7,159,509 B2 * 1/2007 Starkey A47J 37/0704
126/25 R
D547,111 S 7/2007 Loyd
8,061,348 B1 11/2011 Rodriguez
D674,234 S * 1/2013 Todd D7/334
D688,507 S 8/2013 Hill
D694,056 S * 11/2013 Dahle D7/334
D715,084 S 10/2014 Hill
D812,957 S 3/2018 McGuinness
9,907,435 B2 3/2018 Kohler et al.
D862,970 S 10/2019 Moretti
D871,822 S * 1/2020 Hussain D7/334
D922,121 S * 6/2021 Park D7/334
D934,613 S * 11/2021 Ritchie D7/348
2001/0035176 A1 11/2001 Bush
2006/0191528 A1 8/2006 Spangrud
2015/0233585 A1 8/2015 Creel
2021/0113015 A1 * 4/2021 Carayannopoulos
A47J 37/0731

* cited by examiner

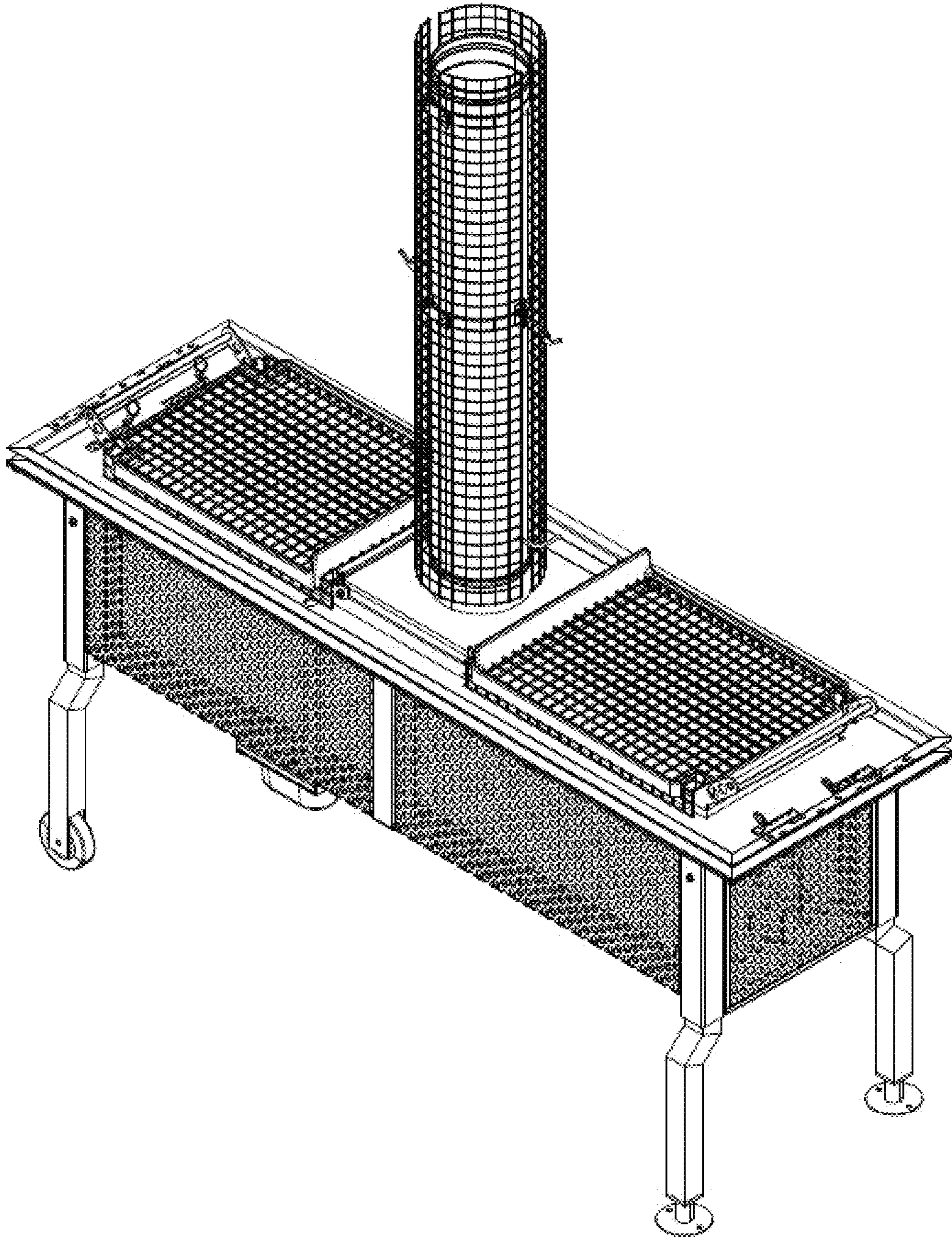


Figure 1

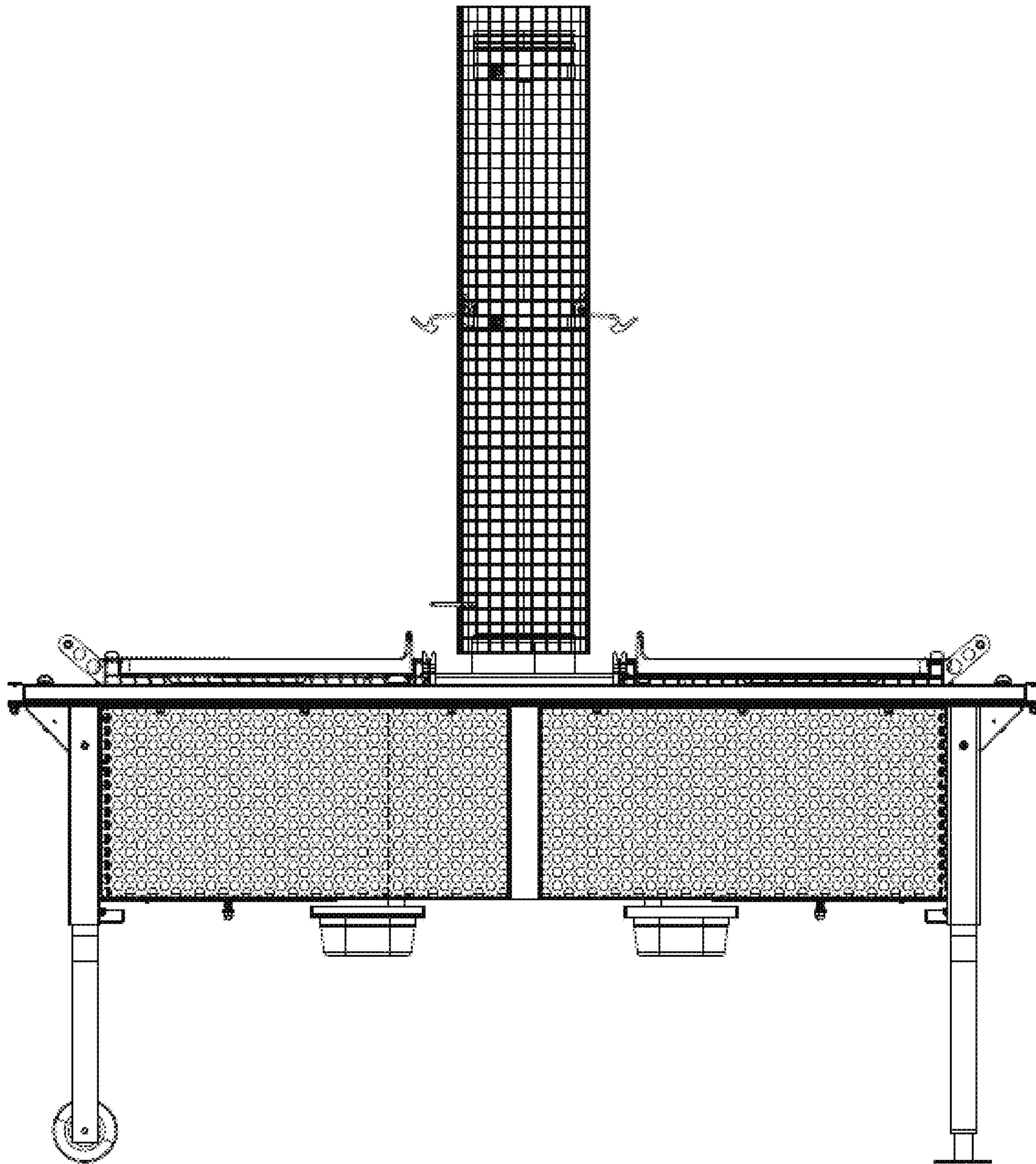


Figure 2

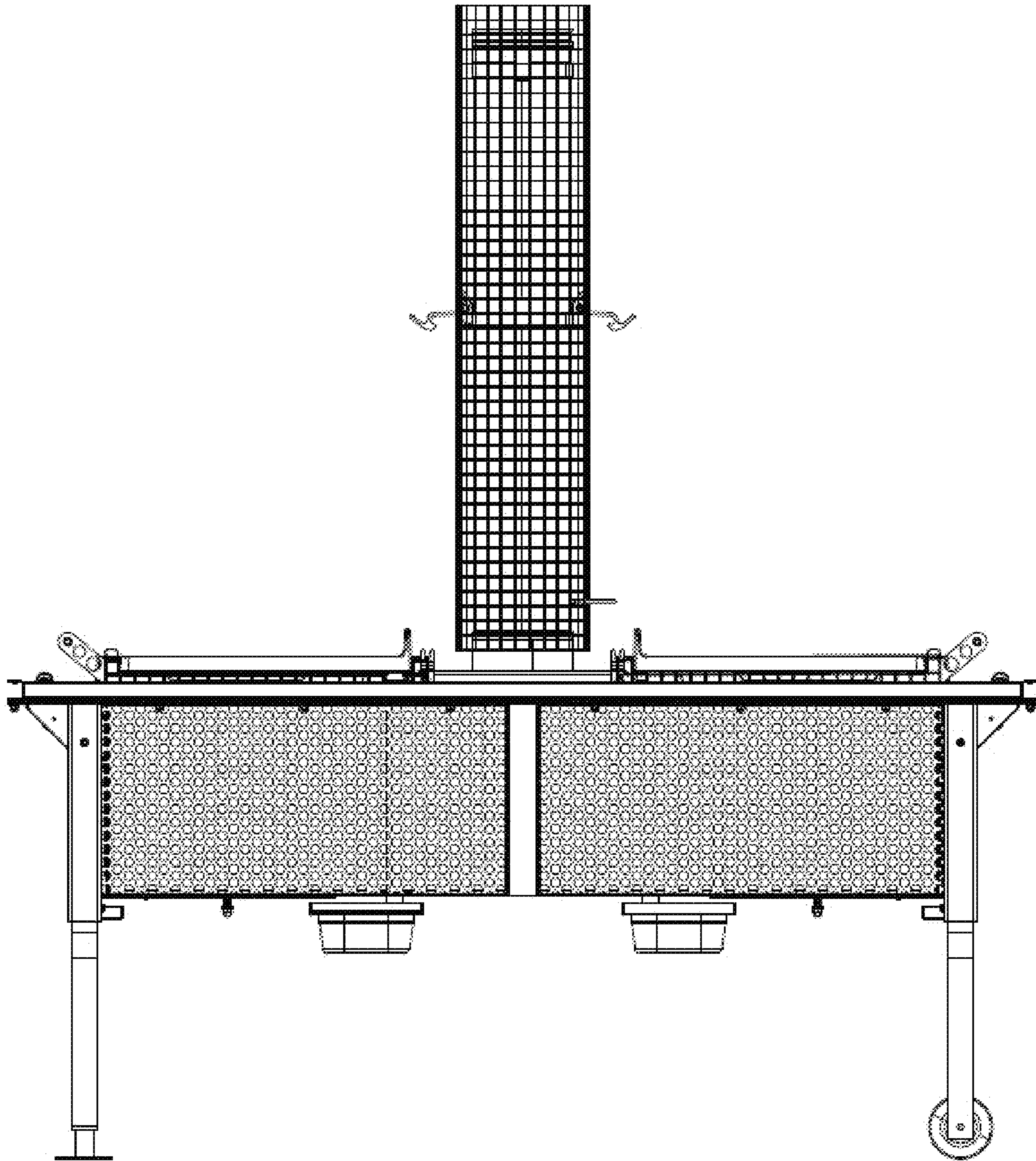


Figure 3

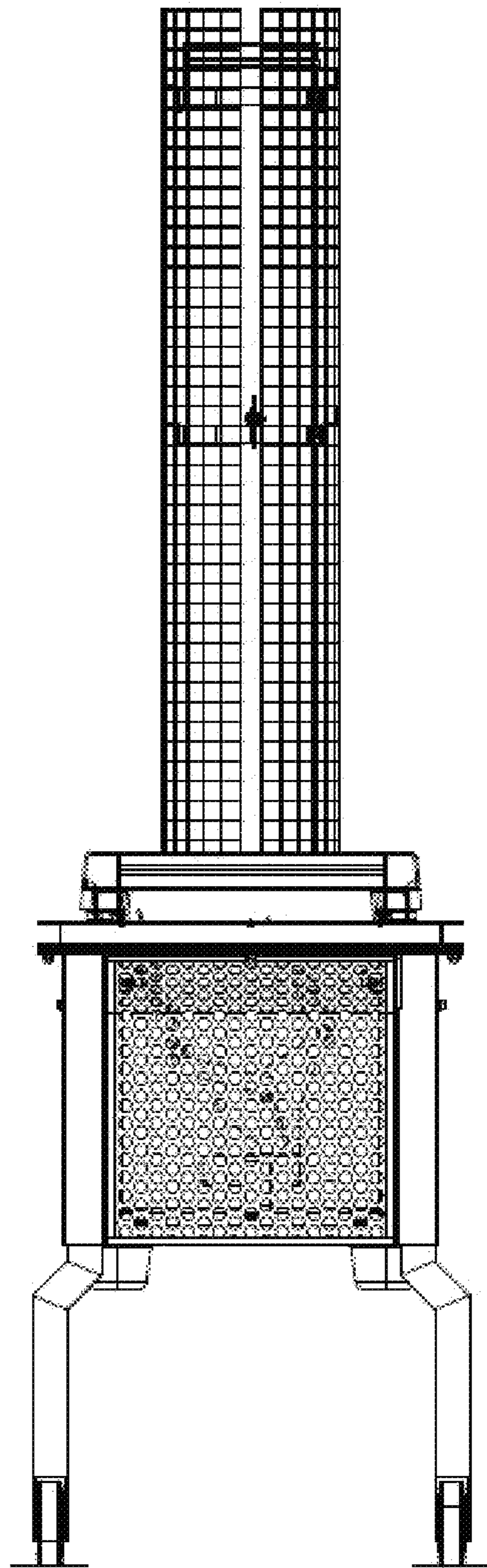


Figure 4

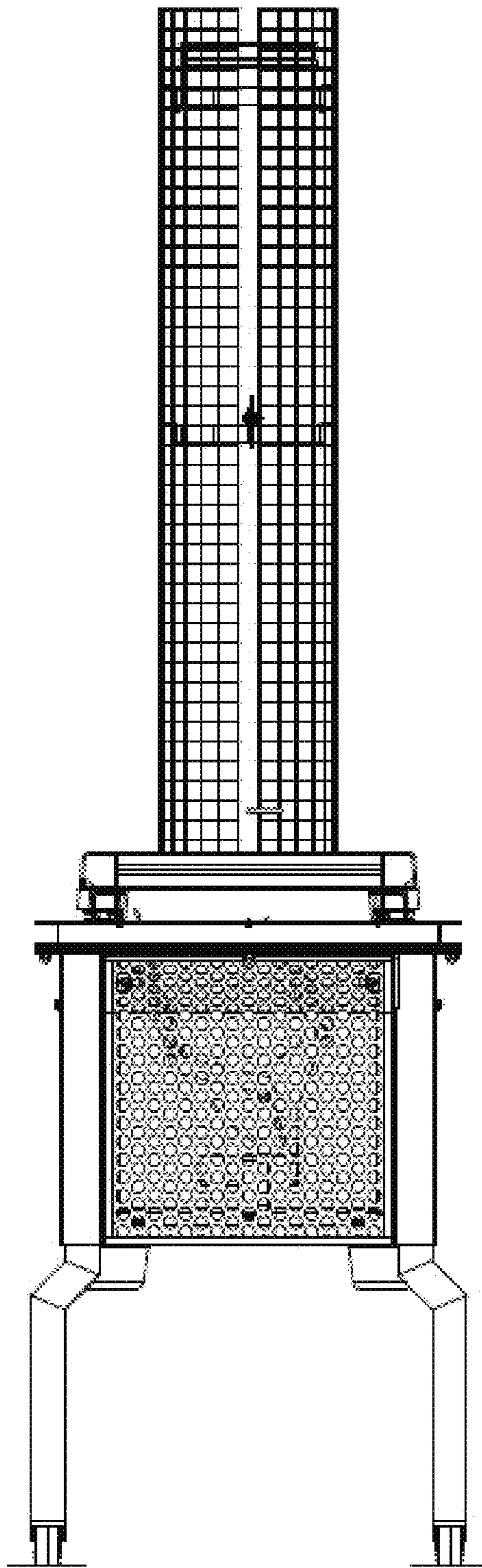


Figure 5

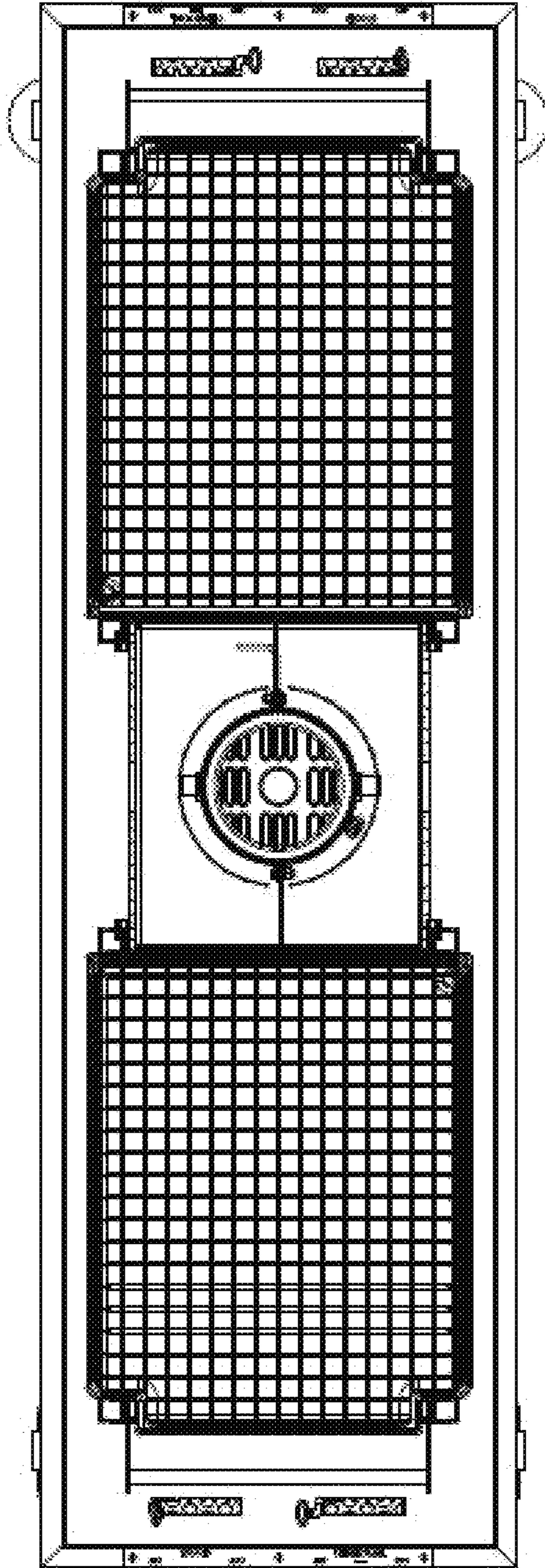


Figure 6

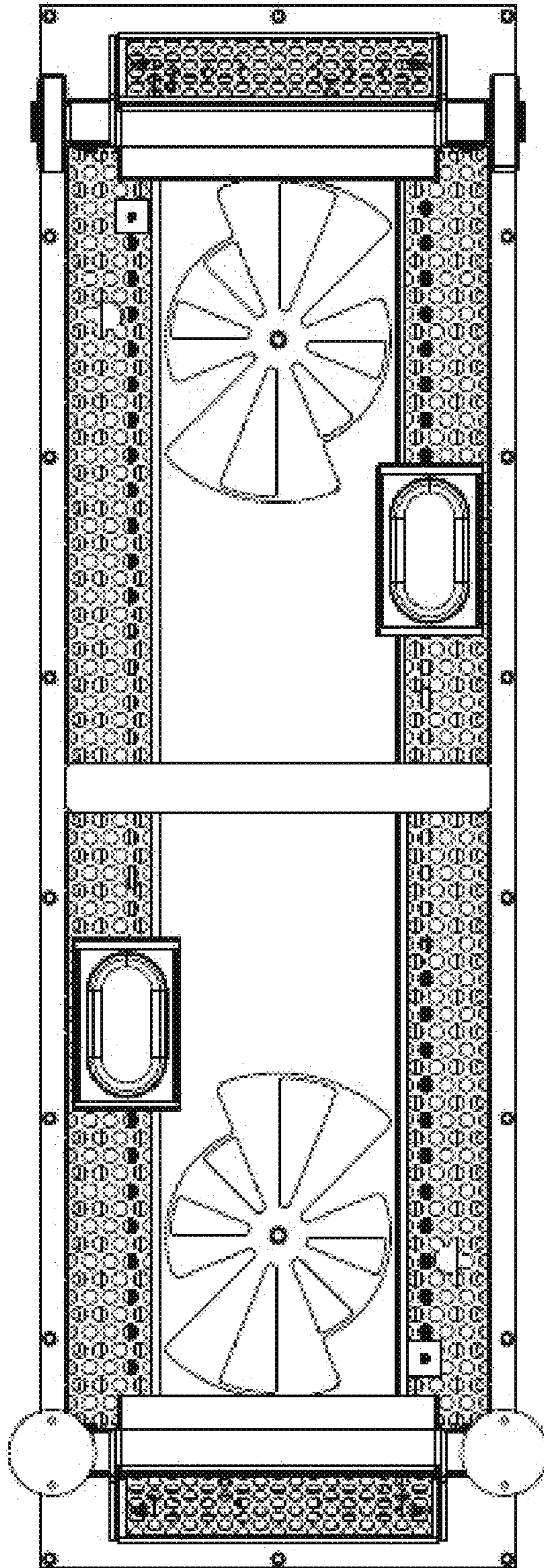


Figure 7

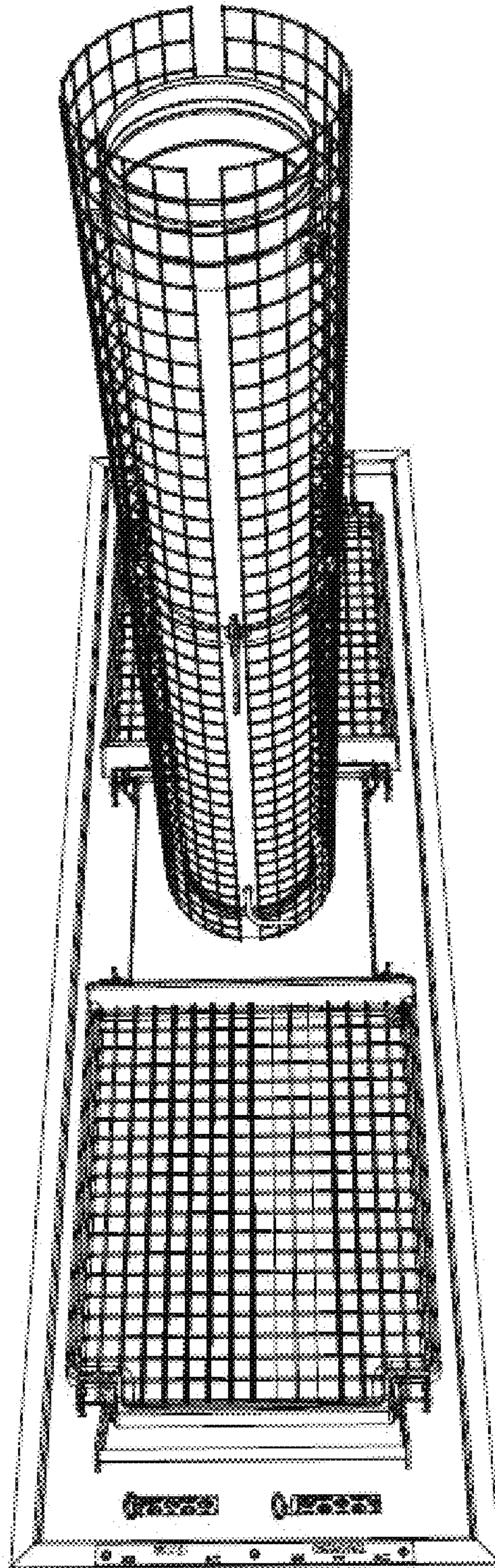


Figure 8