



US00D978597S

(12) **United States Design Patent** (10) **Patent No.:** **US D978,597 S**  
**Ritchie et al.** (45) **Date of Patent:** **\*\* Feb. 21, 2023**

(54) **COOKING AND/OR HEATING APPARATUS**

(71) Applicant: **The Cashmere Caveman Co, Wild Kitchens Limited**, London (GB)

(72) Inventors: **Guy Stuart Ritchie**, London (GB); **Nigel Bruce True**, London (GB)

(73) Assignee: **The Cashmere Caveman Co, Wild Kitchens Limited**, London (GB)

(\*\*) Term: **15 Years**

(21) Appl. No.: **29/778,471**

(22) Filed: **Apr. 13, 2021**

(30) **Foreign Application Priority Data**

Oct. 14, 2020 (GB) ..... 6103437

(51) **LOC (14) Cl.** ..... **07-02**

(52) **U.S. Cl.**  
USPC ..... **D7/348**

(58) **Field of Classification Search**

USPC ..... D7/323, 328-330, 334, 339-349, 390, D7/402-406; D8/300-306; D15/144  
CPC .. A21B 2/00; A23B 4/052; A47J 37/00; A47J 37/06; A47J 37/0611; A47J 37/0704; A47J 37/0731; A47J 37/0781; A47J 37/08; A47J 37/0807; A47J 37/0814; A47J 37/0835; A47J 37/0842; A47J 37/085; A47J 37/0864; A47J 37/0878; A47J 37/0885; A47J 37/0892; F24B 1/202; F24B 1/205; F24C 7/00; F24C 7/002; F24C 7/046; F24C 7/067; F24C 15/02; F24C 15/04; F24C 15/10; F24C 15/102

See application file for complete search history.

(56) **References Cited**

**U.S. PATENT DOCUMENTS**

2,922,414 A \* 1/1960 Brender ..... F24B 1/202 D7/332  
3,489,131 A \* 1/1970 Richins ..... F24B 1/205 126/9 R

D254,865 S 4/1980 Saye  
D262,651 S 1/1982 Louderback  
D360,423 S \* 7/1995 Neal ..... D15/144  
D380,933 S \* 7/1997 Schlosser ..... D7/334  
6,039,039 A 3/2000 Pina, Jr.  
6,302,097 B1 \* 10/2001 Rivera ..... A47J 37/0781 126/41 R  
D450,524 S \* 11/2001 Measom ..... D7/332

(Continued)

*Primary Examiner* — Ricky Pham

(74) *Attorney, Agent, or Firm* — Morrison & Foerster LLP

(57) **CLAIM**

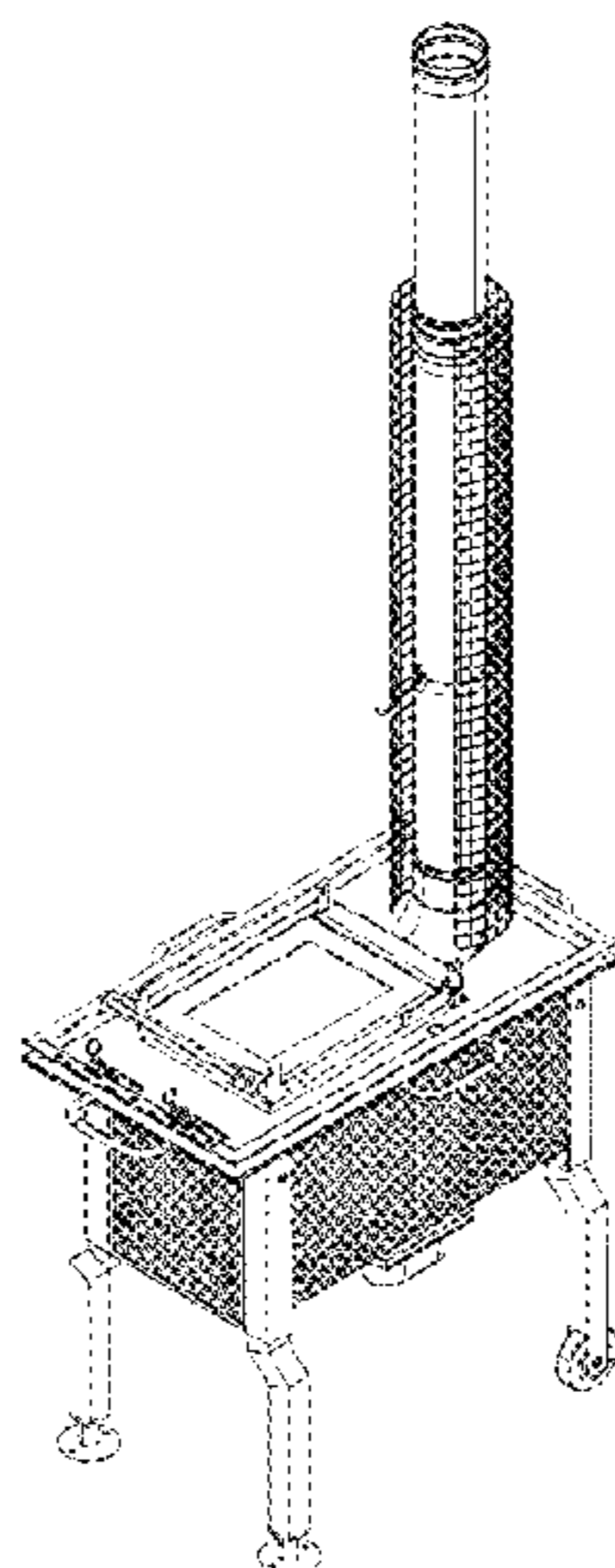
The ornamental design for a cooking and/or heating apparatus, as shown and described.

**DESCRIPTION**

FIG. 1 illustrates a perspective view of a cooking and/or heating apparatus employing an ornamental design in accordance with the present invention;  
FIG. 2 is a front view of the cooking and/or heating apparatus of FIG. 1;  
FIG. 3 is a back view of the cooking and/or heating apparatus of FIG. 1;  
FIG. 4 is a left side view of the cooking and/or heating apparatus of FIG. 1;  
FIG. 5 is a right side view of the cooking and/or heating apparatus of FIG. 1;  
FIG. 6 is an enlarged top view of the cooking and/or heating apparatus of FIG. 1; and,  
FIG. 7 is an enlarged bottom view of the cooking and/or heating apparatus of FIG. 1.

The broken lines shown in the drawings represent unclaimed portions of the structure and form no part of the claimed design. Furthermore, the interior surfaces that are shown without surface shading form no part of the claimed design.

**1 Claim, 7 Drawing Sheets**



(56)

References Cited

U.S. PATENT DOCUMENTS

7,159,509 B2 \* 1/2007 Starkey ..... A47J 37/0704  
126/25 R  
D547,111 S 7/2007 Loyd  
8,061,348 B1 11/2011 Rodriguez  
D674,234 S \* 1/2013 Todd ..... D7/334  
D688,507 S 8/2013 Hill  
D694,056 S \* 11/2013 Dahle ..... D7/334  
D715,084 S 10/2014 Hill  
D812,957 S 3/2018 McGuinness  
9,907,435 B2 3/2018 Kohler et al.  
D862,970 S 10/2019 Moretti  
D871,822 S \* 1/2020 Hussain ..... D7/334  
D922,121 S \* 6/2021 Park ..... D7/334  
D934,613 S \* 11/2021 Ritchie ..... D7/348  
2001/0035176 A1 11/2001 Bush  
2006/0191528 A1 8/2006 Spangrud  
2015/0233585 A1 8/2015 Creel  
2021/0113015 A1 \* 4/2021 Carayannopoulos .....  
A47J 37/0731

\* cited by examiner

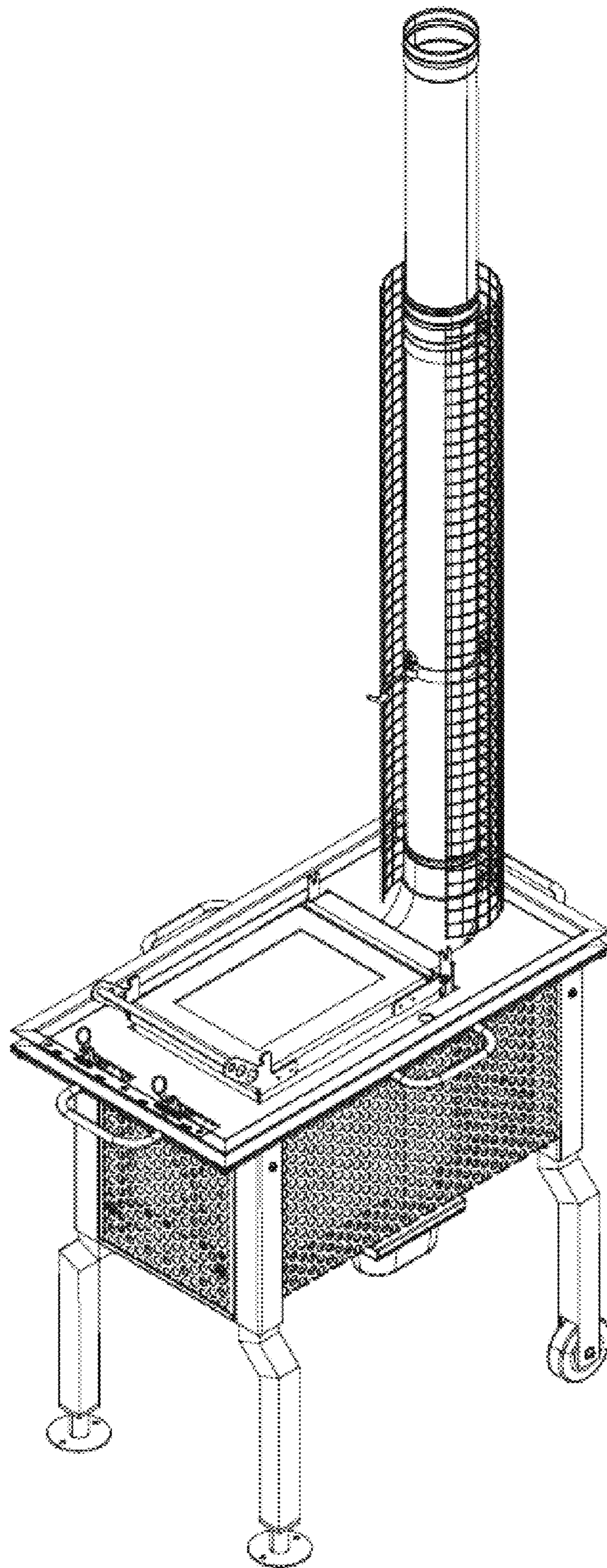


Figure 1

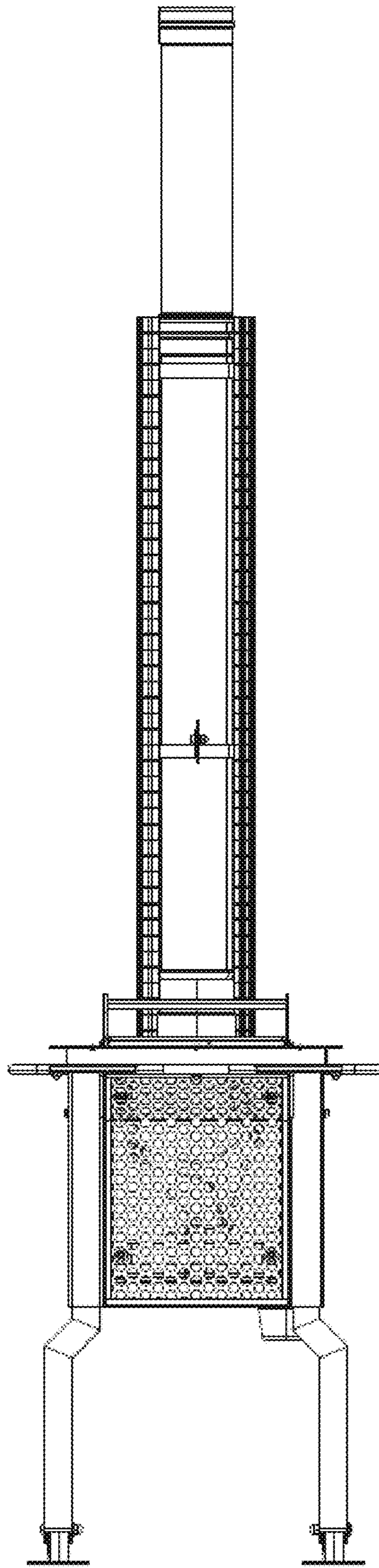


Figure 2

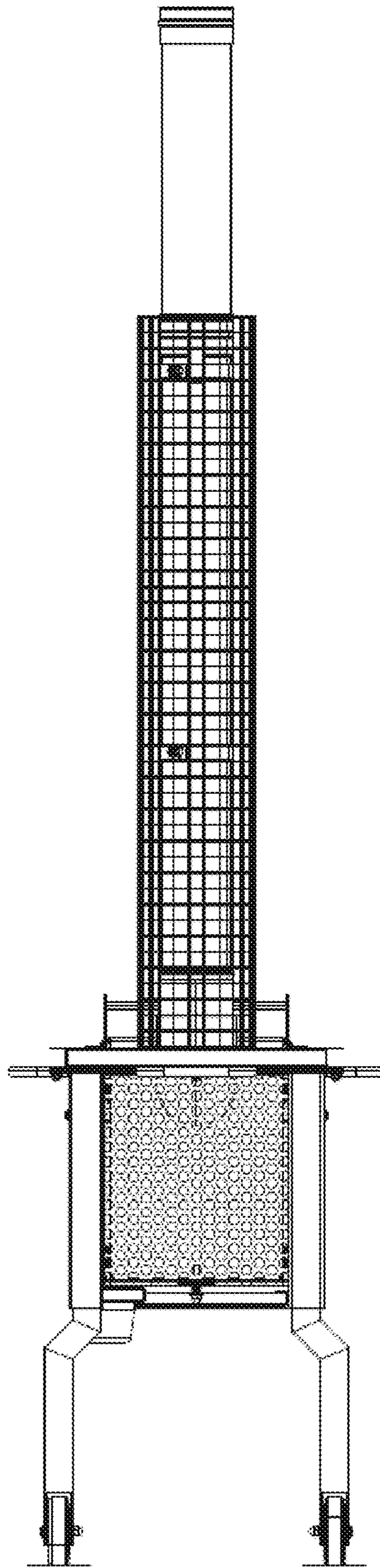


Figure 3

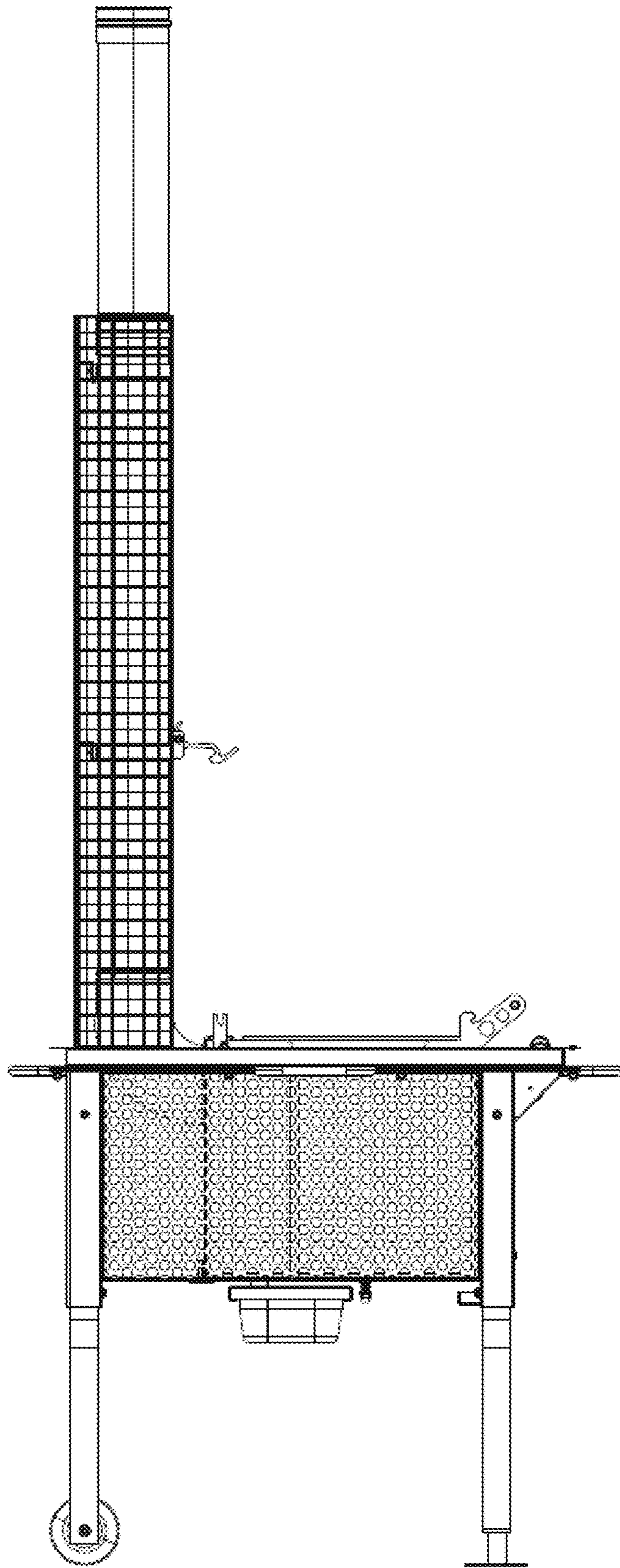


Figure 4

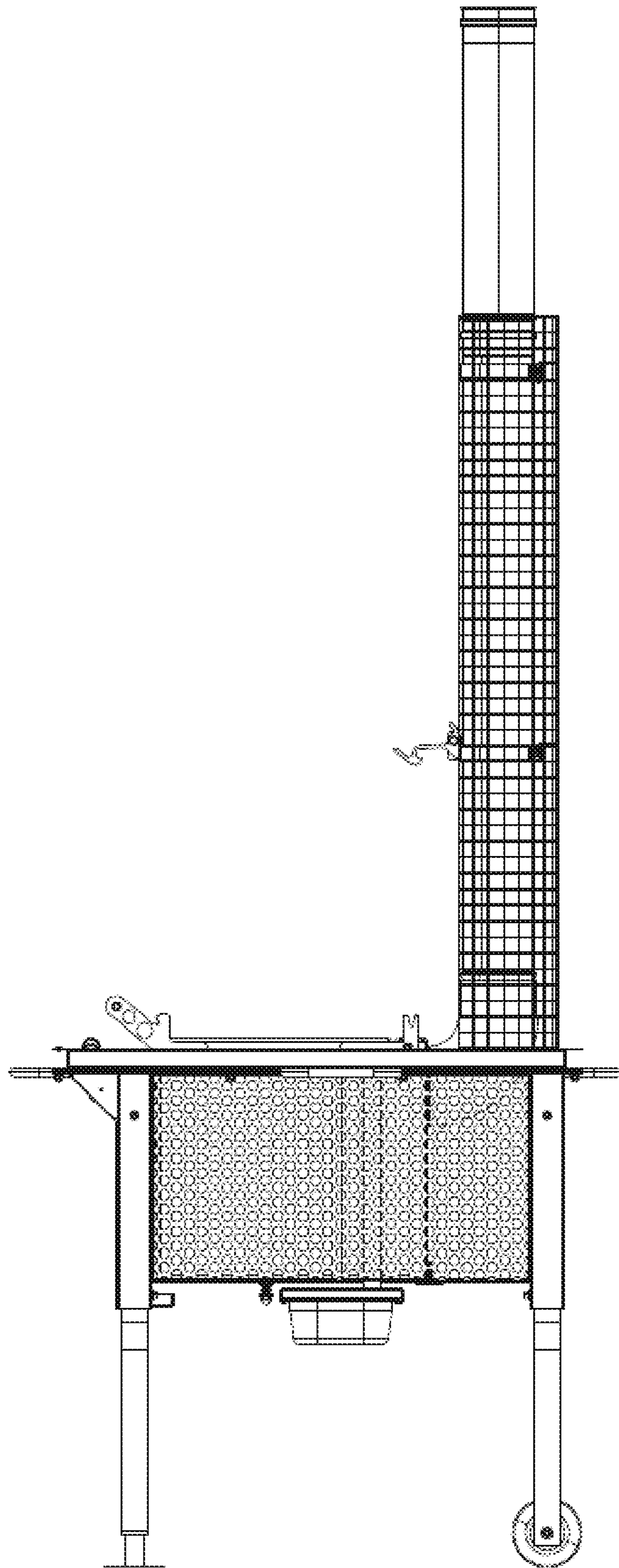


Figure 5

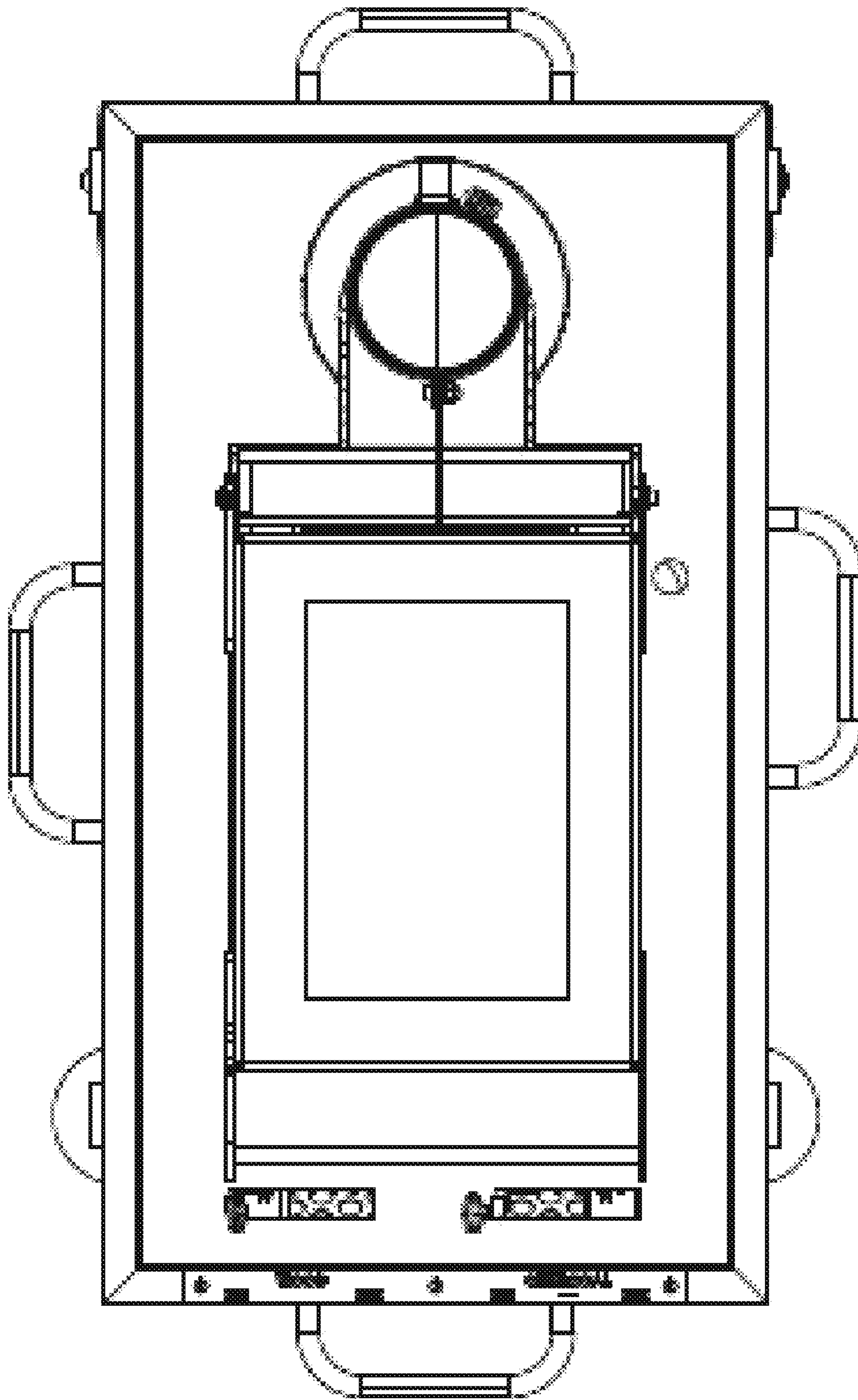


Figure 6



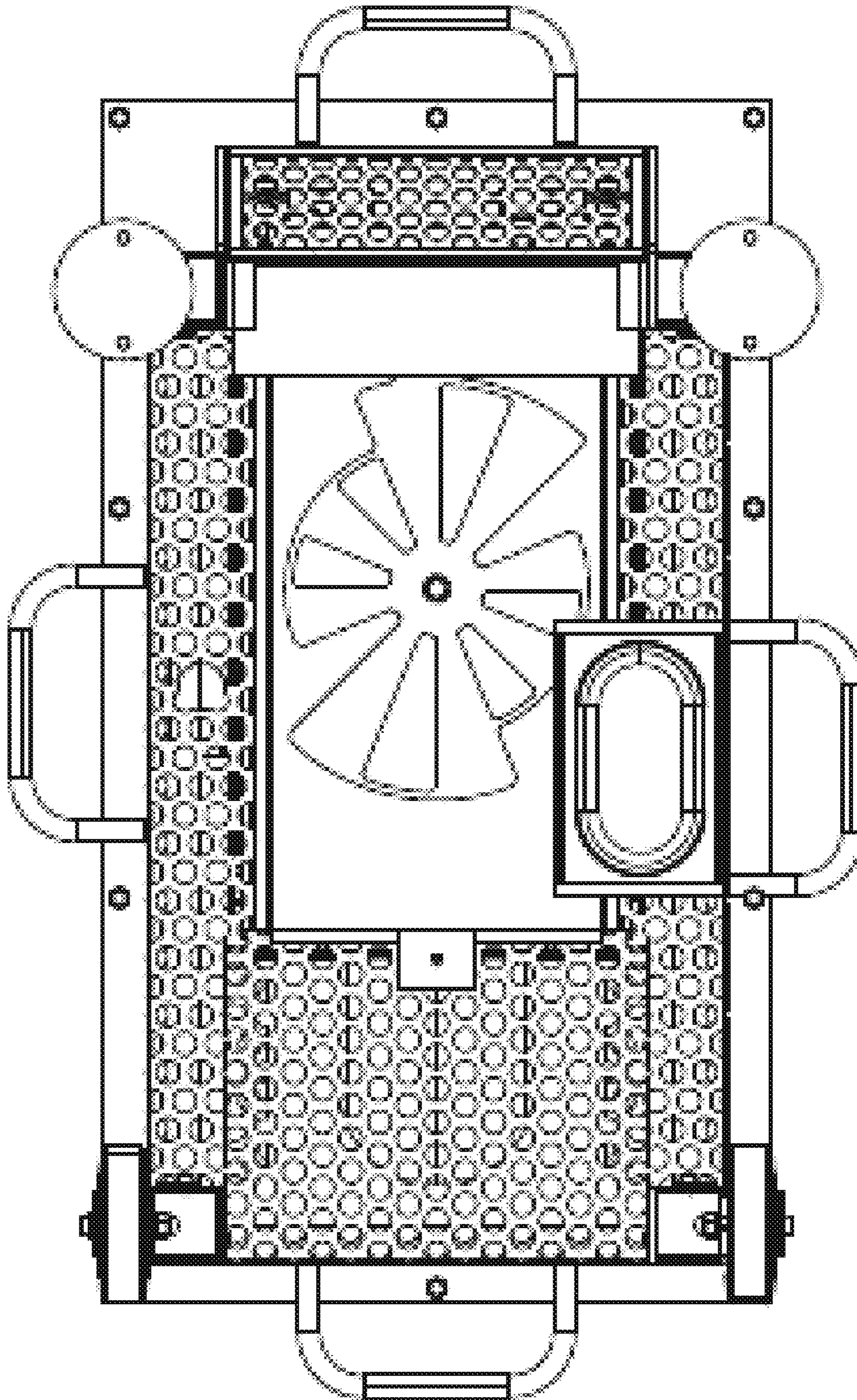


Figure 7