



US00D978596S

(12) **United States Design Patent**  
**Park**

(10) **Patent No.:** **US D978,596 S**

(45) **Date of Patent:** **\*\* Feb. 21, 2023**

(54) **COOKING STOVE**  
(71) Applicant: **IKAMPER CO., LTD.**, Paju-si (KR)  
(72) Inventor: **Soongyu Park**, Paju-si (KR)  
(\*\*) Term: **15 Years**

4,762,114 A \* 8/1988 Blankemeyer ..... A47J 37/0763  
126/25 R  
6,189,528 B1 \* 2/2001 Oliver ..... A47J 37/0704  
126/39 R  
6,711,993 B2 \* 3/2004 Robertson ..... A47J 33/00  
126/30  
7,063,006 B1 \* 6/2006 Spehle ..... F24B 1/205  
126/30  
11,141,020 B2 \* 10/2021 Eno ..... A47J 37/0786  
2014/0366863 A1 \* 12/2014 Coffman ..... F24B 1/022  
126/25 R

(21) Appl. No.: **35/512,733**

(22) Filed: **Apr. 15, 2021**

(80) **Hague Agreement Data**

Int. Filing Date: **Apr. 15, 2021**  
Int. Reg. No.: **DM/214905**  
Int. Reg. Date: **Apr. 15, 2021**  
Int. Reg. Pub. Date: **Oct. 15, 2021**

(30) **Foreign Application Priority Data**

Mar. 25, 2021 (KR) ..... 30-2021-0014444

(51) **LOC (14) Cl.** ..... **07-02**

(52) **U.S. Cl.**  
USPC ..... **D7/332; D7/334; D7/339**

(58) **Field of Classification Search**

USPC ..... D7/323, 328-330, 339-349, 390,  
D7/402-406; D8/300-306  
CPC ... A21B 2/00; A47J 33/00; A47J 37/00; A47J  
37/06; A47J 37/0611; A47J 37/0704;  
A47J 37/0763; A47J 37/0786; A47J  
37/08; A47J 37/0807; A47J 37/0814;  
A47J 37/0835; A47J 37/0842; A47J  
37/085; A47J 37/0864; A47J 37/0878;  
A47J 37/0885; A47J 37/0892; F24B  
1/022; F24B 1/205; F24C 7/00; F24C  
7/002; F24C 7/046; F24C 7/067; F24C  
15/02; F24C 15/04; F24C 15/10; F24C  
15/102

See application file for complete search history.

(56) **References Cited**

**U.S. PATENT DOCUMENTS**

2,473,658 A \* 6/1949 Milligan ..... A47J 37/0763  
248/150  
4,726,349 A \* 2/1988 Gehrke ..... A47J 37/0763  
126/25 B

**OTHER PUBLICATIONS**

Wadeo Camping Gas Stove. Date First Available on Amazon.com  
Oct. 15, 2021. <https://www.amazon.com/dp/B09JJNCHWL/ref> (Year:  
2021).\*

\* cited by examiner

*Primary Examiner* — Ricky Pham

(74) *Attorney, Agent, or Firm* — Revolution IP, PLLC

(57) **CLAIM**

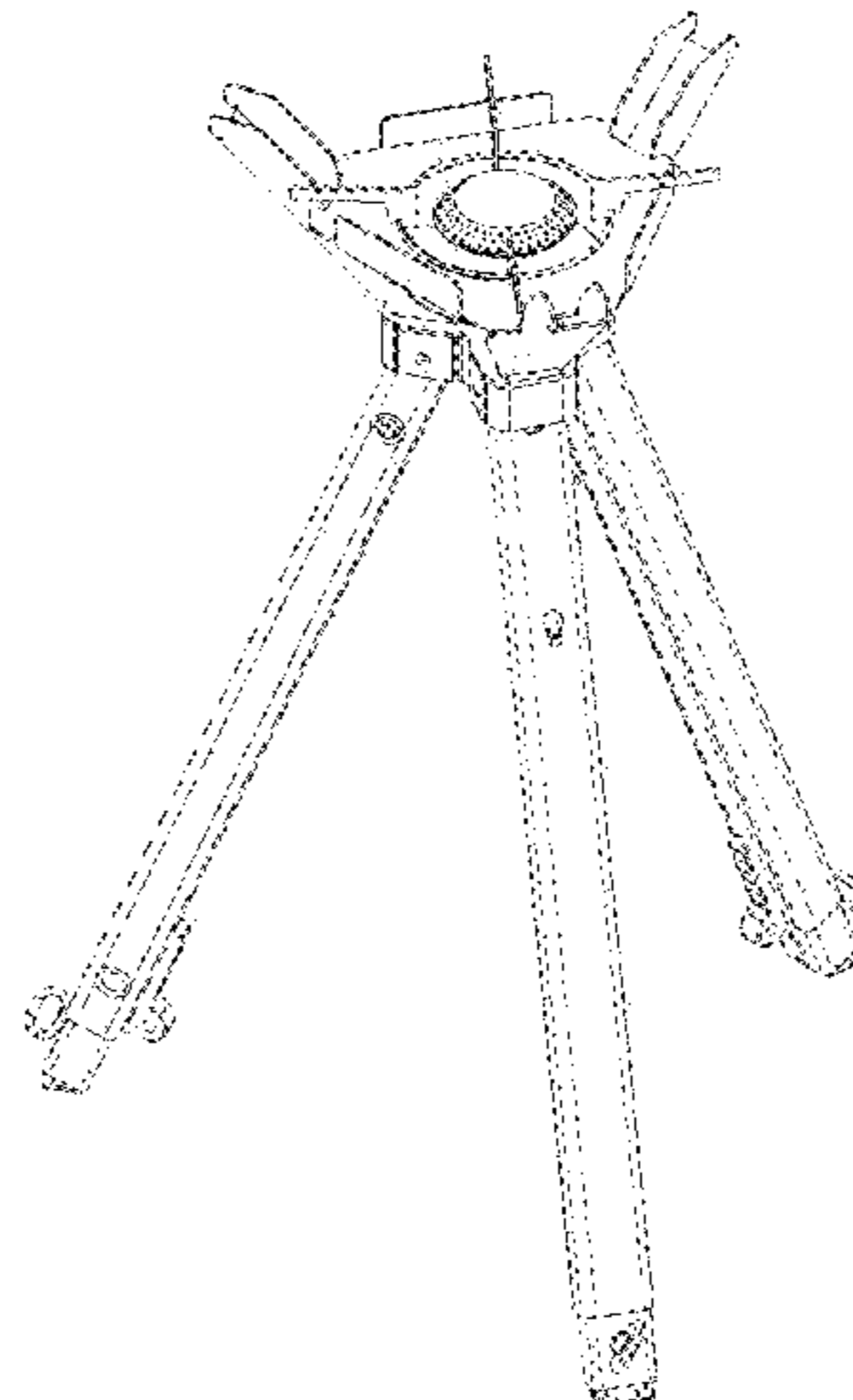
The ornamental design for a cooking stove, as shown and  
described.

**DESCRIPTION**

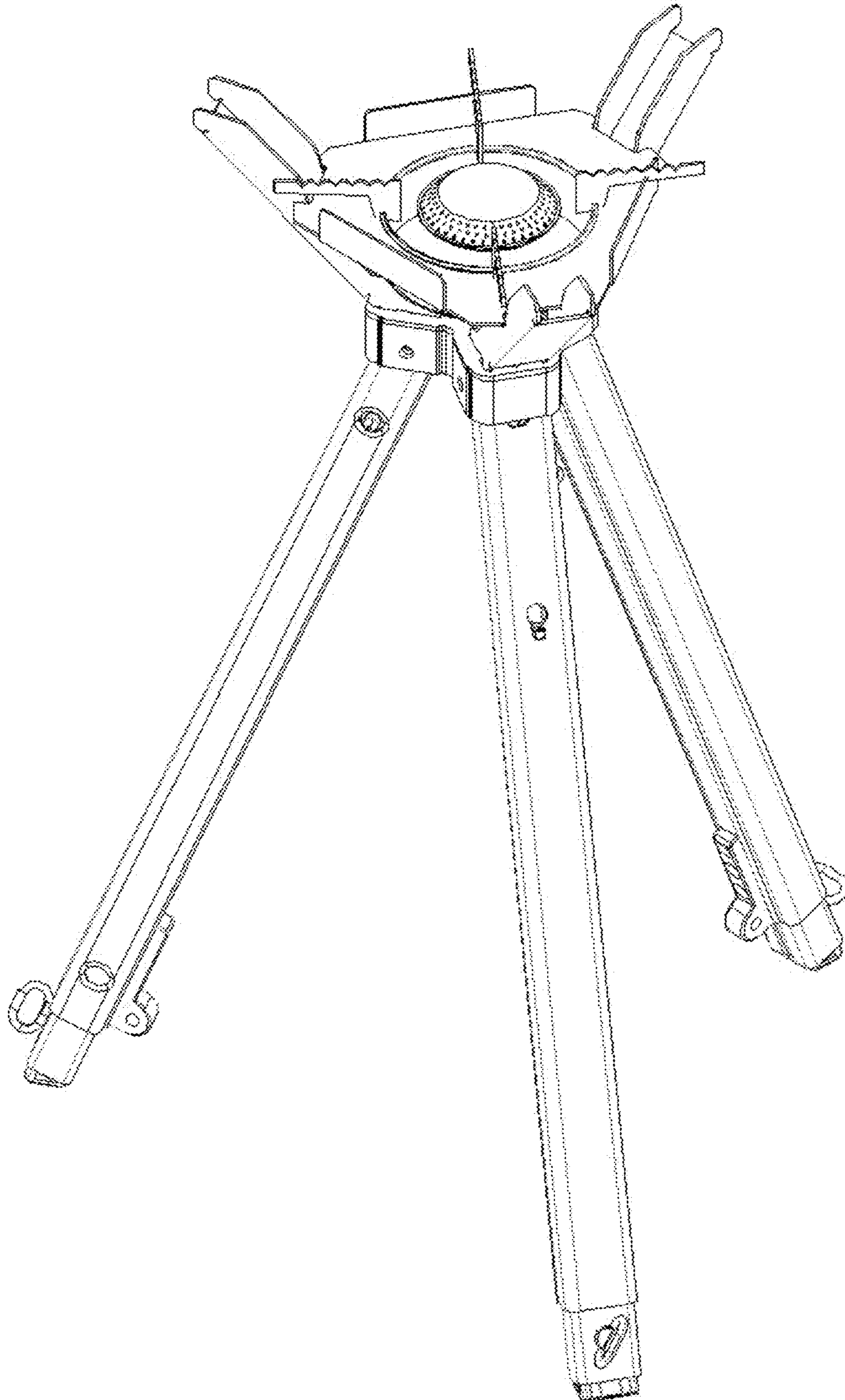
- 1. Cooking stove
- 1.1 : Perspective
- 1.2 : Front
- 1.3 : Back
- 1.4 : Left
- 1.5 : Right
- 1.6 : Top
- 1.7 : Bottom
- 1.8 : Reference
- 1.9 : Reference

The broken lines shown in Figures 1.8-1.9 are for the  
purpose of illustrating environment and form no part of the  
claimed design.

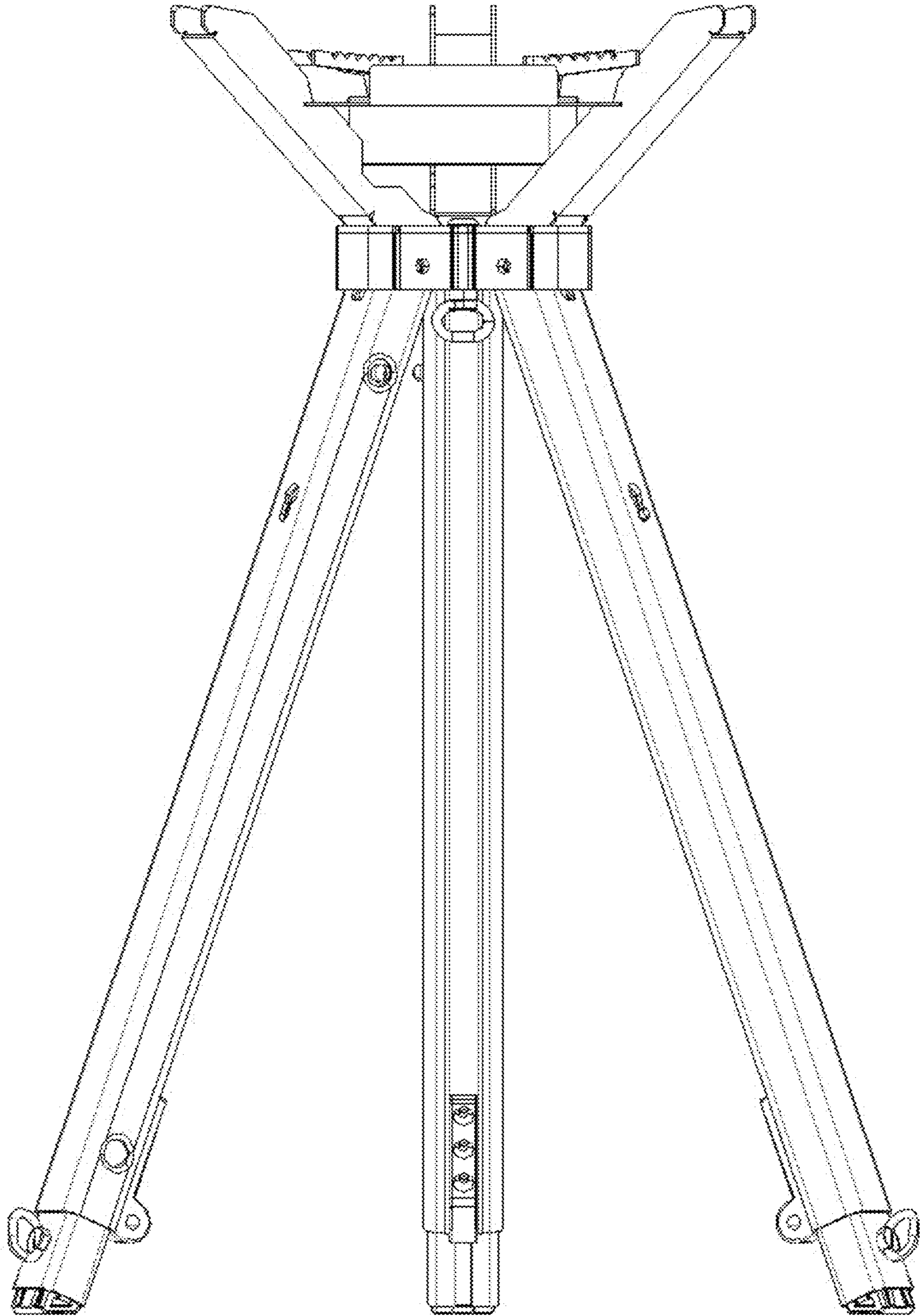
**1 Claim, 9 Drawing Sheets**



1.1

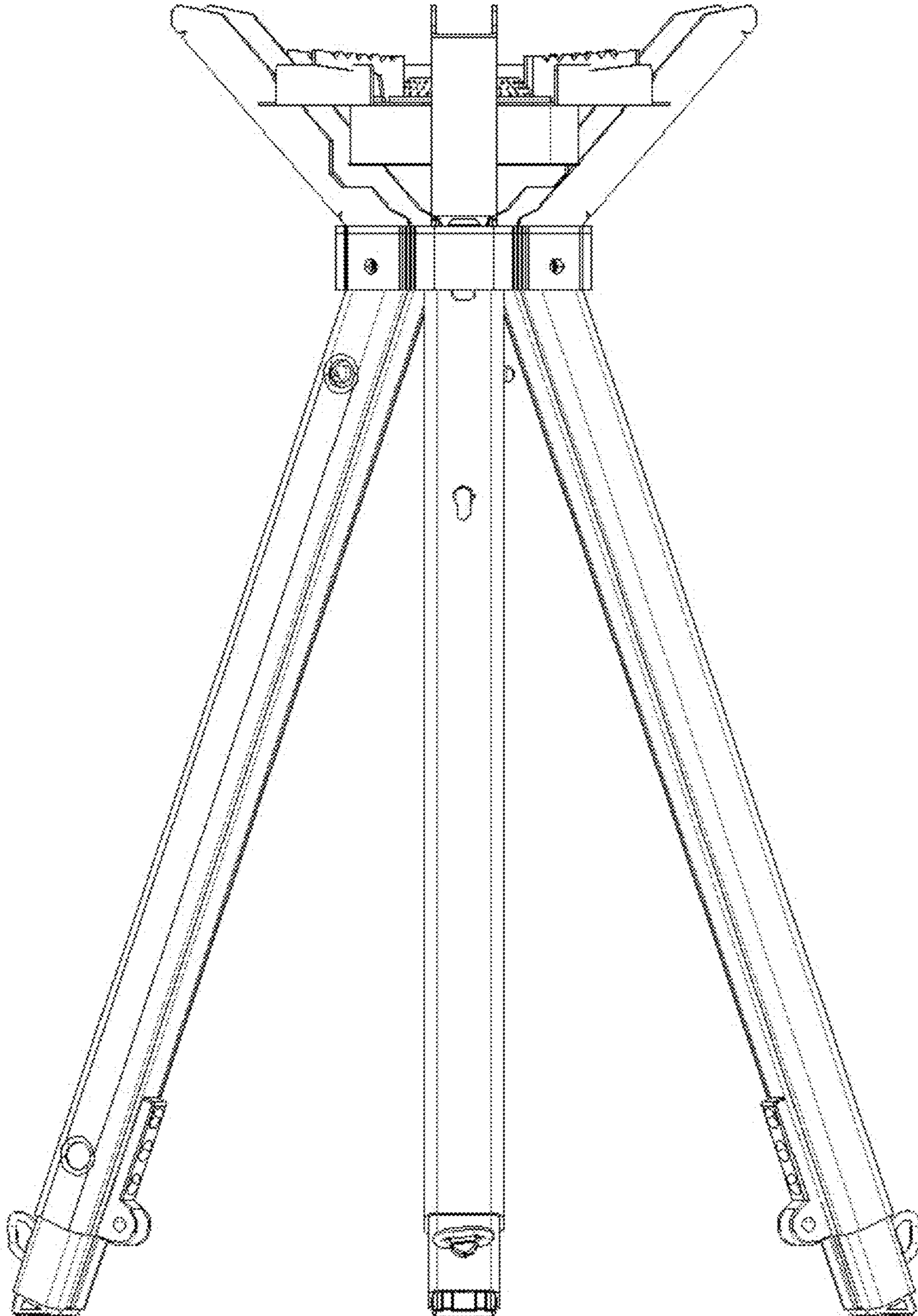


# 1.2

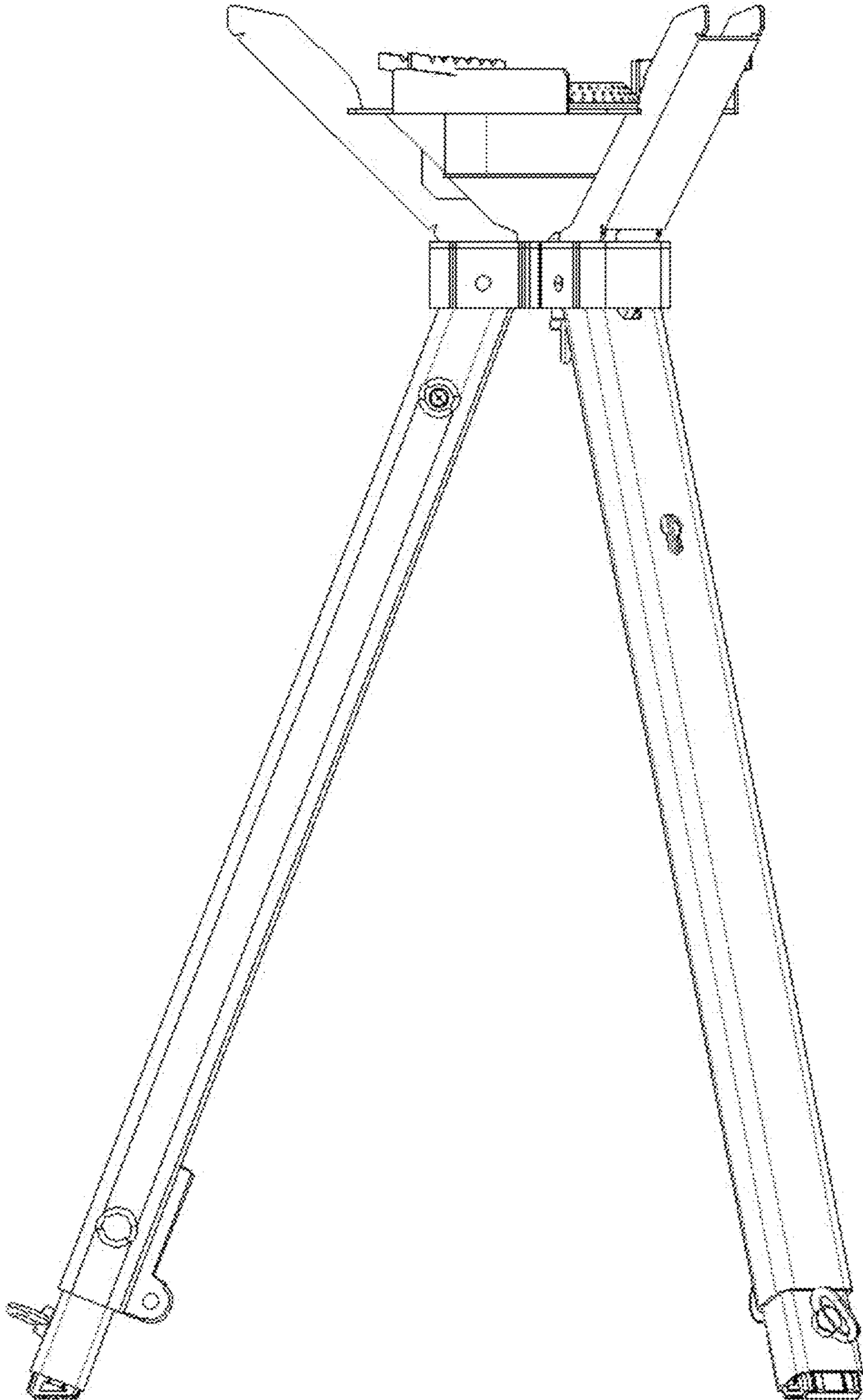




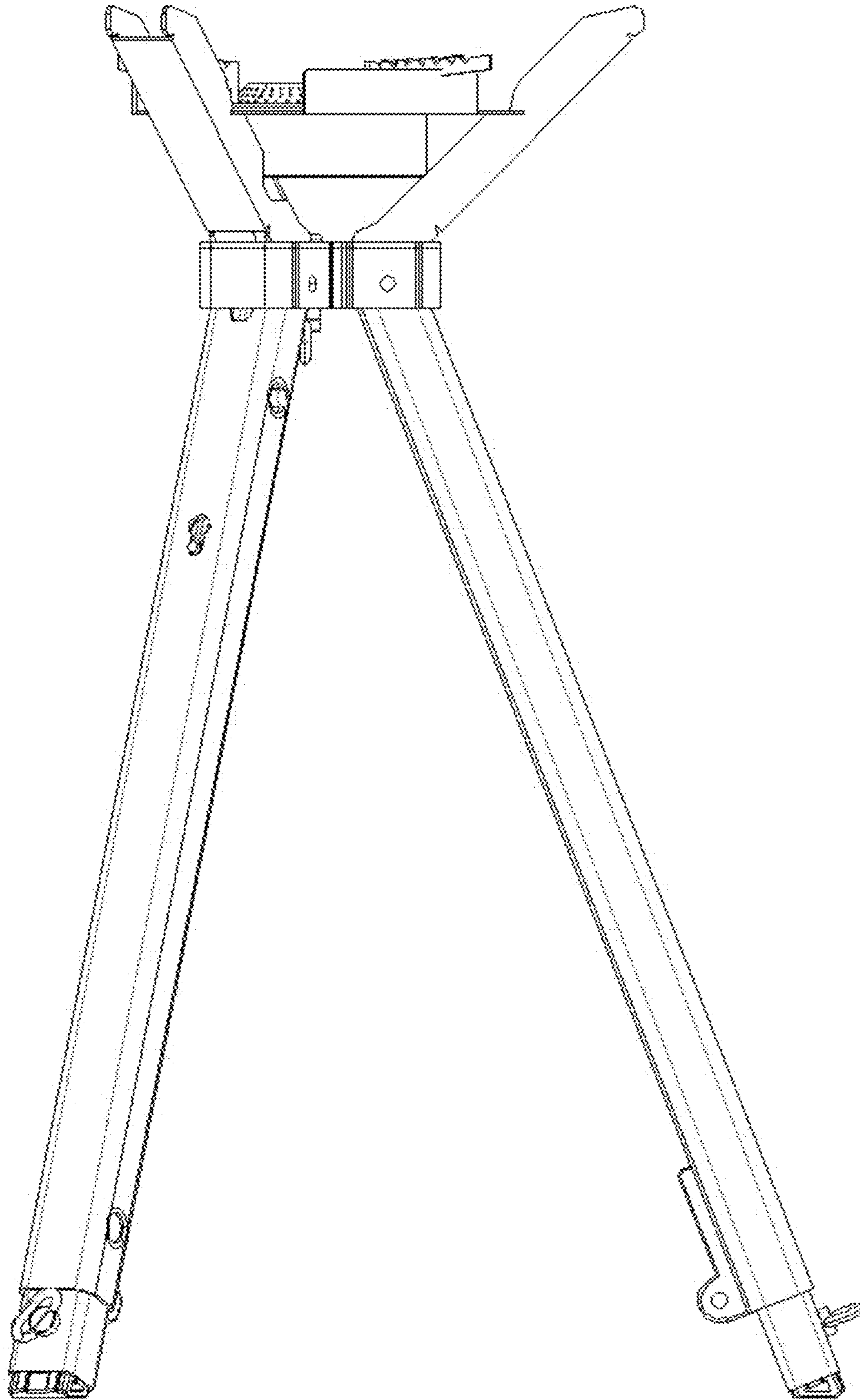
# 1.3



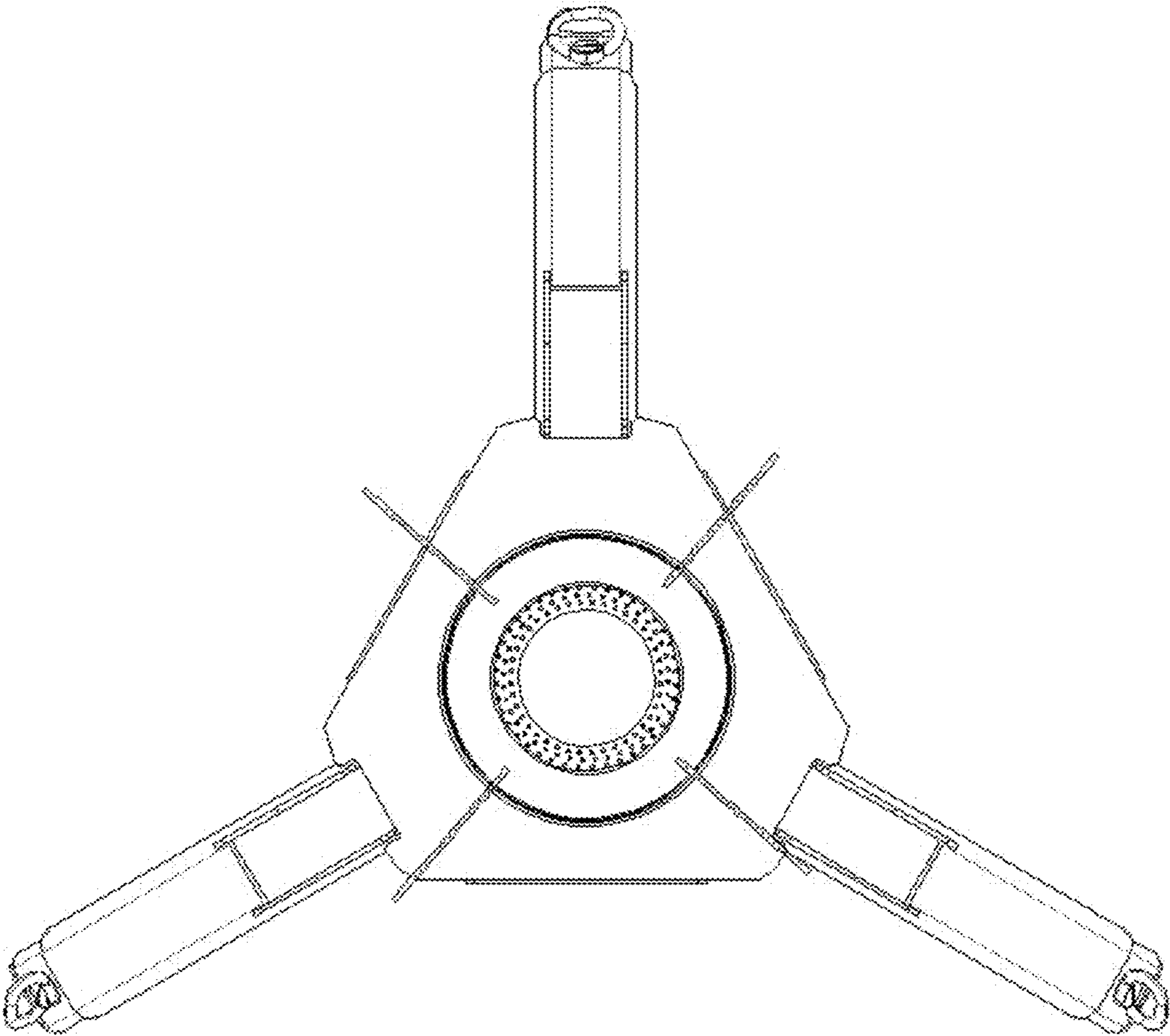
# 1.4



1.5

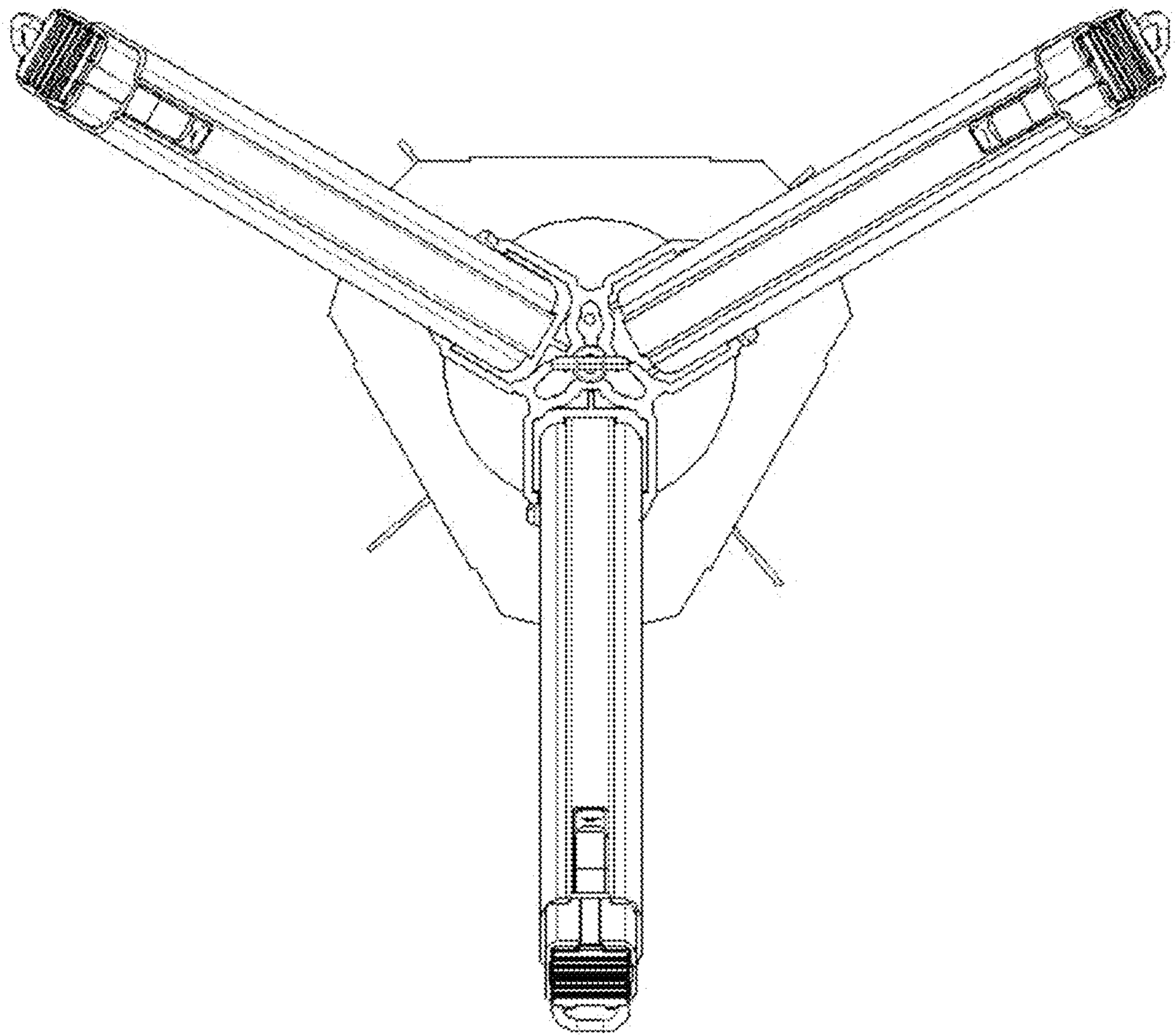


1.6



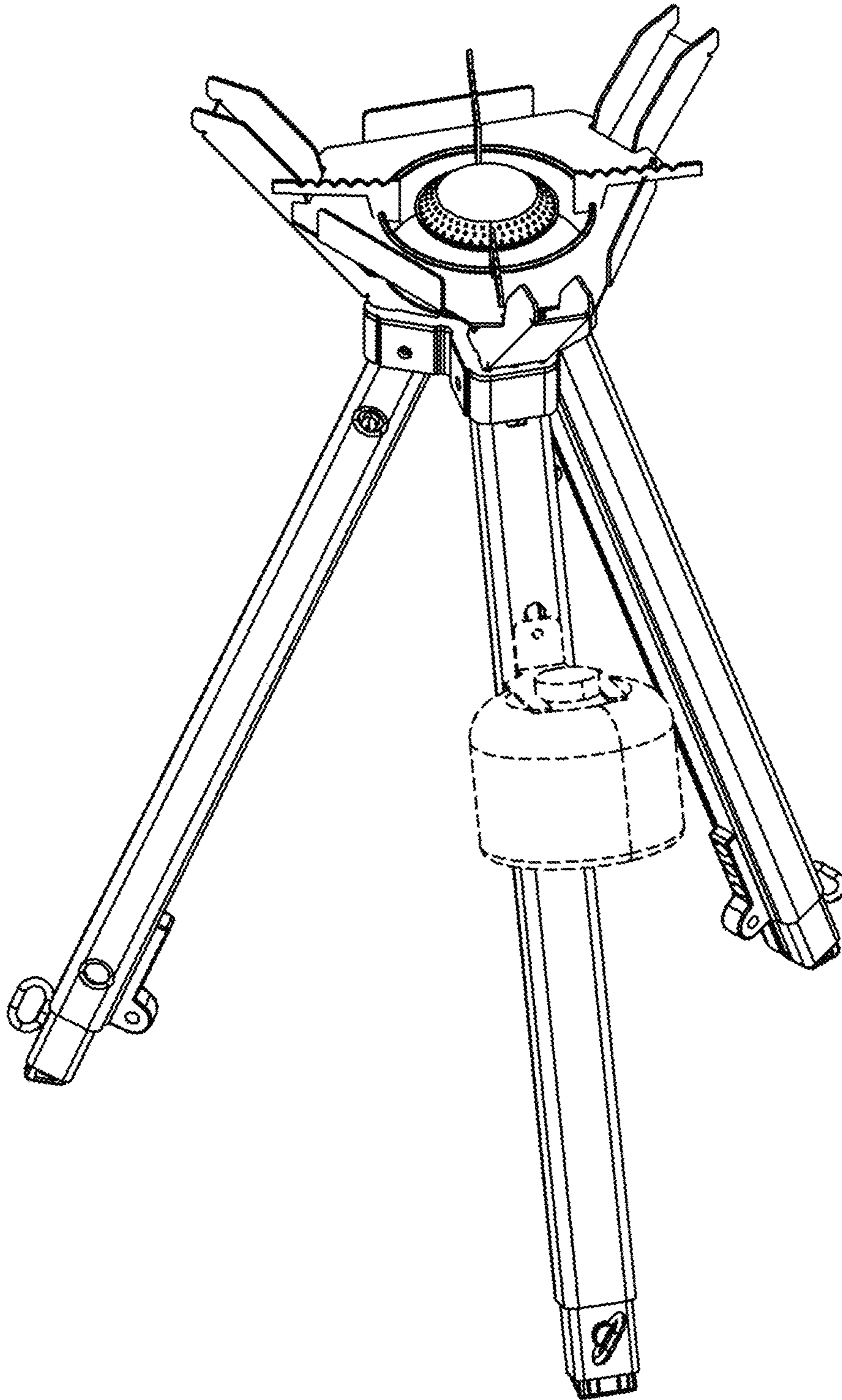


1.7





1.8



1.9

