



US00D978595S

(12) **United States Design Patent**  
**Jung et al.**

(10) **Patent No.:** **US D978,595 S**

(45) **Date of Patent:** **\*\* Feb. 21, 2023**

(54) **COFFEE ROASTER FOR TOASTER OVEN**

(71) Applicant: **LG ELECTRONICS INC.**, Seoul (KR)

(72) Inventors: **Hanjin Jung**, Seoul (KR); **Woonkyu Seo**, Seoul (KR); **Hyun Choi**, Seoul (KR); **Byeongkook Kim**, Seoul (KR)

(73) Assignee: **LG ELECTRONICS INC.**, Seoul (KR)

(\*\*) Term: **15 Years**

(21) Appl. No.: **29/798,967**

(22) Filed: **Jul. 12, 2021**

(30) **Foreign Application Priority Data**

Jan. 18, 2021 (KR) ..... 30-2021-0002566

(51) **LOC (14) Cl.** ..... **07-02**

(52) **U.S. Cl.**  
USPC ..... **D7/328**

(58) **Field of Classification Search**  
USPC ..... D7/323, 328-330, 338, 354, 390, 409  
CPC . A21B 2/00; A47J 37/00; A47J 37/043; A47J 37/047; A47J 37/06; A47J 37/0611; A47J 37/0629; A47J 37/0641; A47J 37/0704; A47J 37/0745; A47J 37/08; A47J 37/0807; A47J 37/0814; A47J 37/0835; A47J 37/0842; A47J 37/085; A47J 37/0864; A47J 37/0878; A47J 37/0885; A47J 37/0892; F24C 15/10; F24C 15/102; H01R 13/73

See application file for complete search history.

(56) **References Cited**

**U.S. PATENT DOCUMENTS**

2,705,450 A \* 4/1955 Steinbook ..... A47J 37/047 99/421 H  
D254,308 S \* 2/1980 Polak ..... D7/338

6,079,319 A \* 6/2000 Doria ..... A47J 37/047 99/450  
6,250,211 B1 \* 6/2001 Gongwer ..... A47J 37/0745 99/421 H  
7,514,651 B2 \* 4/2009 Popeil ..... A47J 37/043 99/421 H  
D634,154 S \* 3/2011 Agnello ..... D7/328  
D783,337 S \* 4/2017 Markussen ..... D7/354  
D863,884 S \* 10/2019 Prior ..... D7/354  
10,485,377 B2 \* 11/2019 Glucksman ..... A47J 37/0629  
11,033,145 B2 \* 6/2021 Conte ..... A47J 37/0641  
2011/0097468 A1 \* 4/2011 Driscoll ..... A47J 37/0704 99/450  
2016/0255997 A1 \* 9/2016 Romandy ..... H01R 13/73

\* cited by examiner

*Primary Examiner* — Ricky Pham

(74) *Attorney, Agent, or Firm* — Birch, Stewart, Kolasch & Birch, LLP

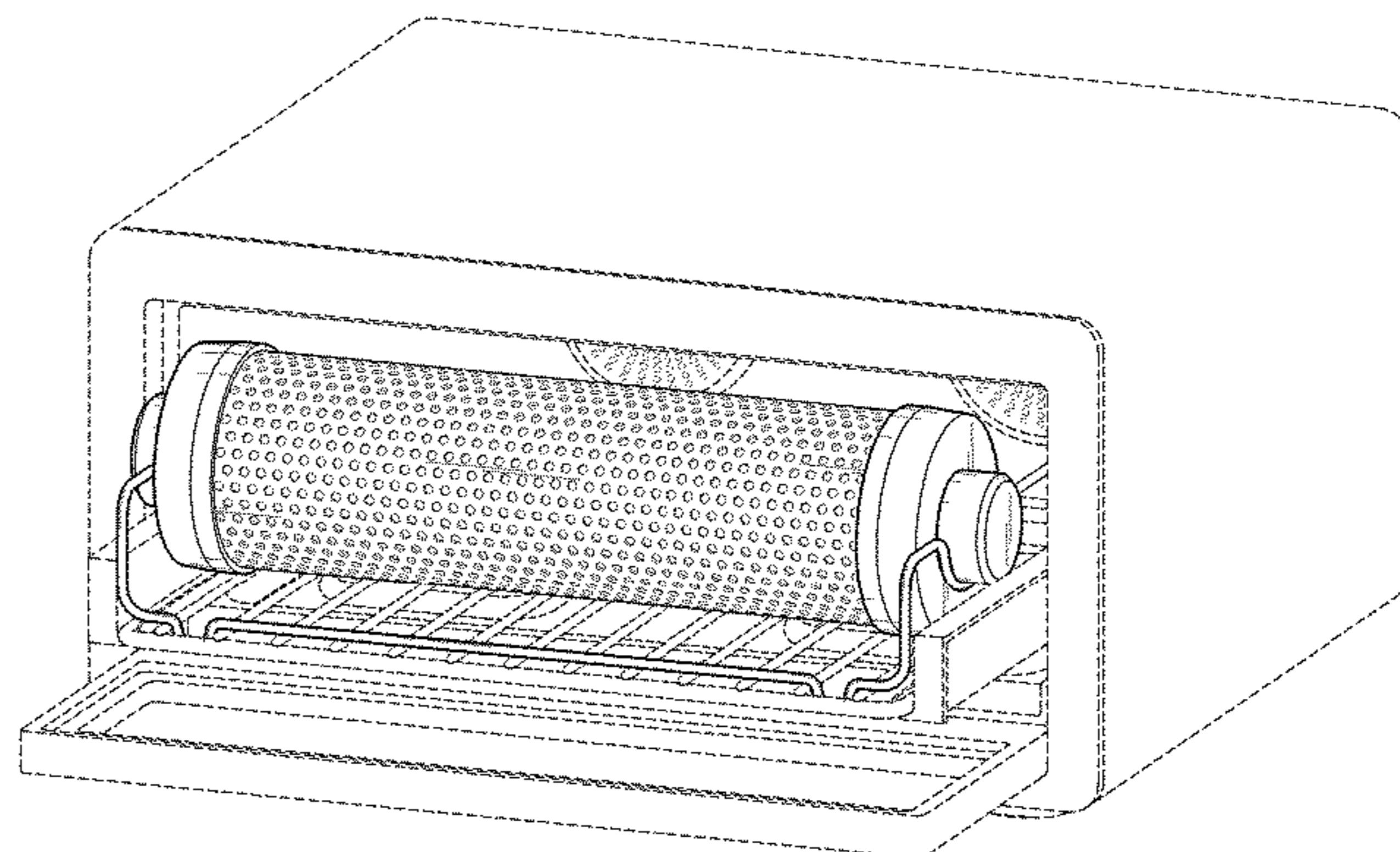
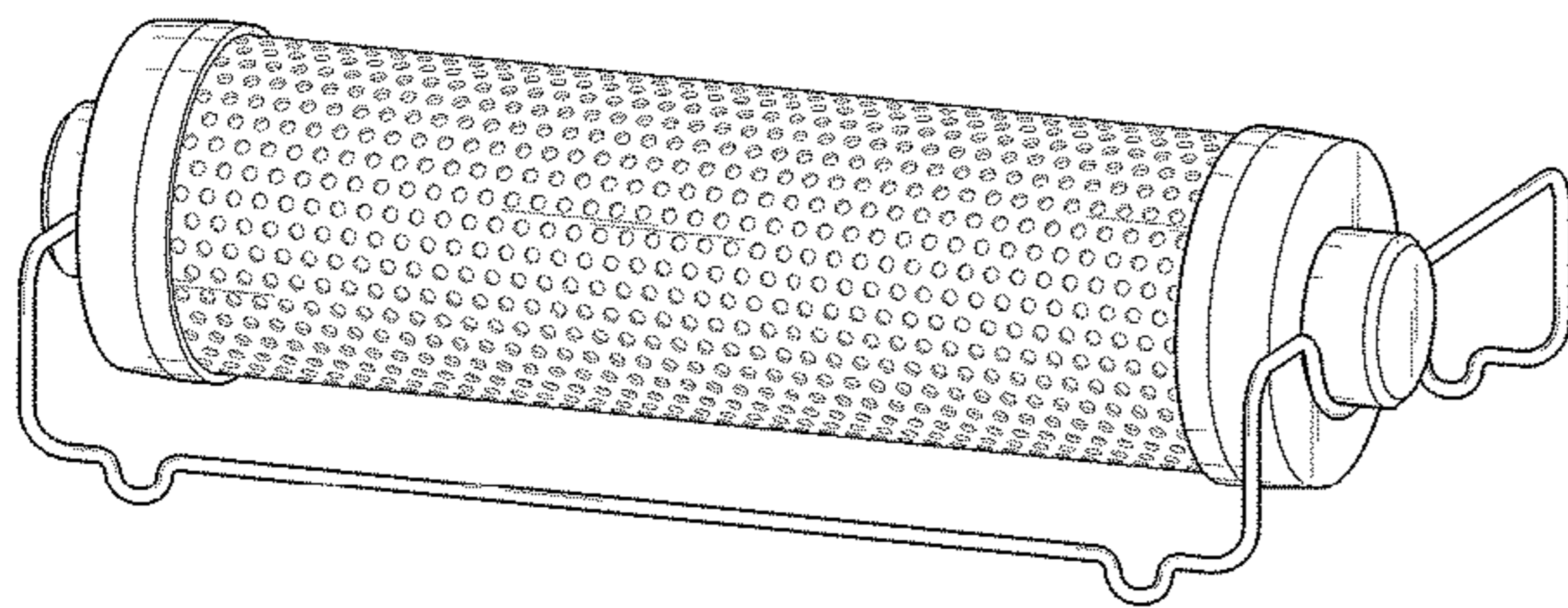
(57) **CLAIM**

We claim the ornamental design for a coffee roaster for toaster oven, as shown and described.

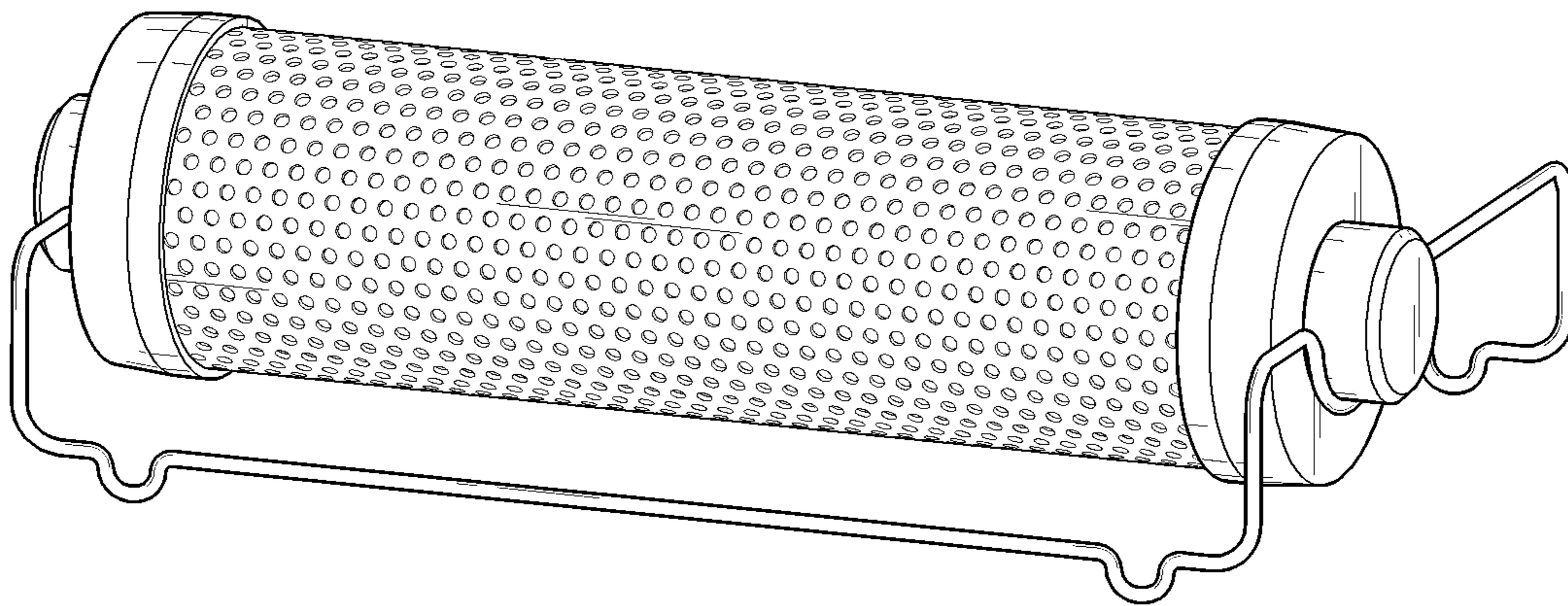
**DESCRIPTION**

FIG. 1 is a perspective view of a coffee roaster for toaster oven showing a new design;  
FIG. 2 is a front view thereof;  
FIG. 3 is a rear view thereof;  
FIG. 4 is a left-side elevation view thereof;  
FIG. 5 is a right-side elevation view thereof;  
FIG. 6 is a top plan view thereof;  
FIG. 7 is a bottom plan view thereof; and,  
FIG. 8 is a perspective view showing a state of use thereof. The broken lines in FIG. 8 are for environment purpose only and form no part of the claimed design.

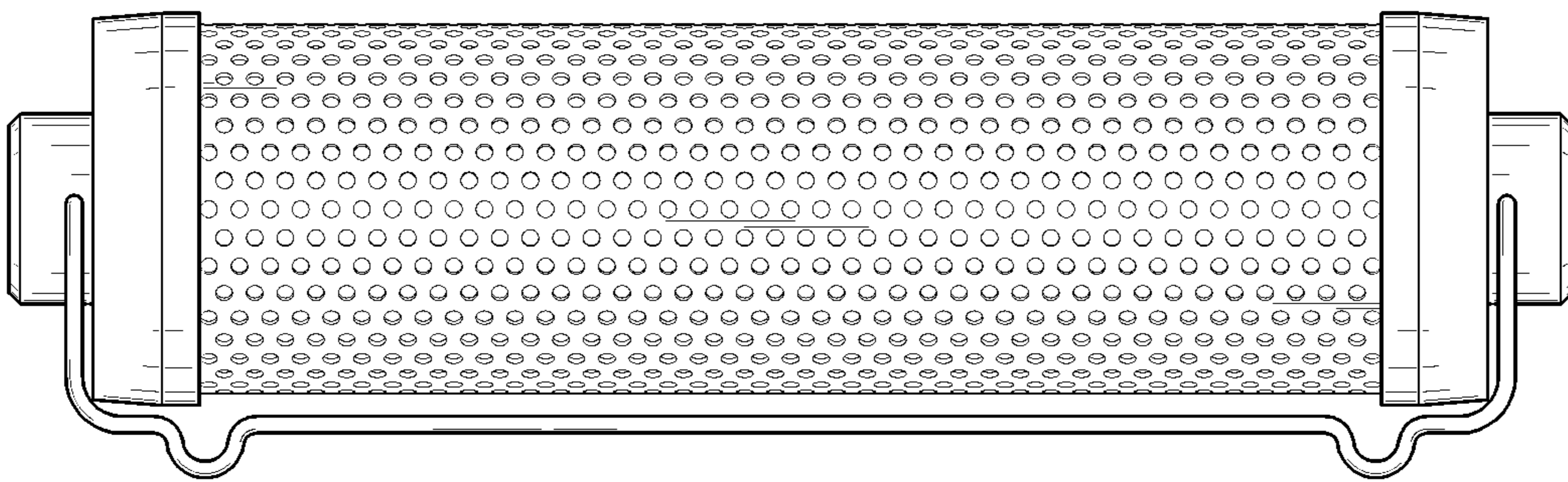
**1 Claim, 8 Drawing Sheets**



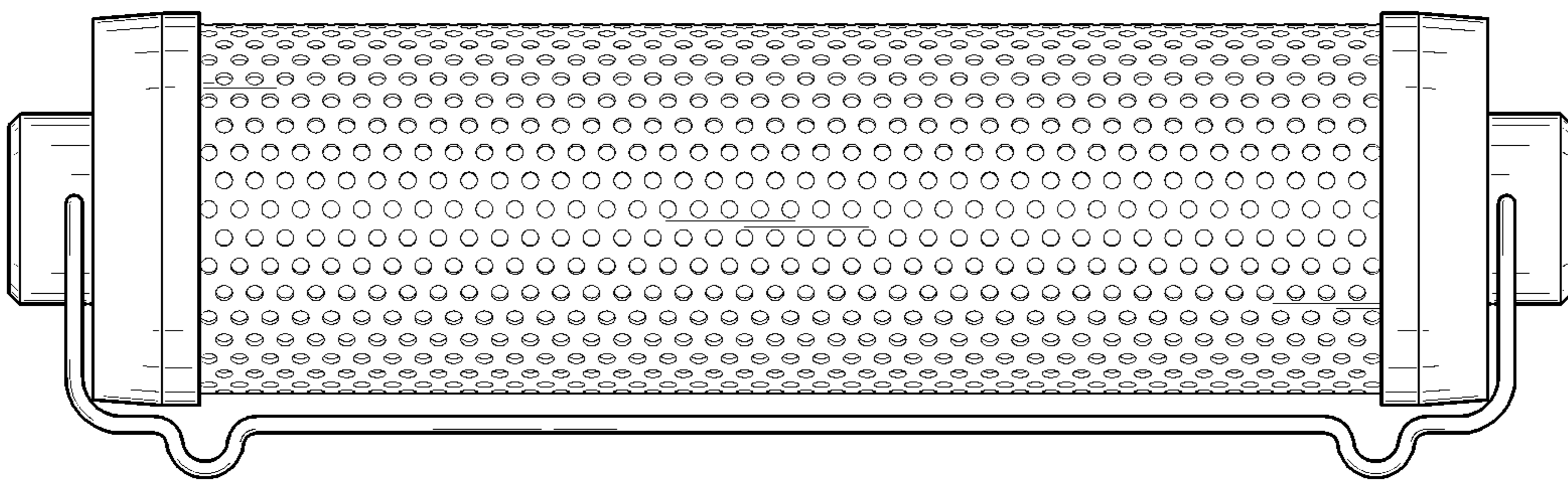
*FIG. 1*



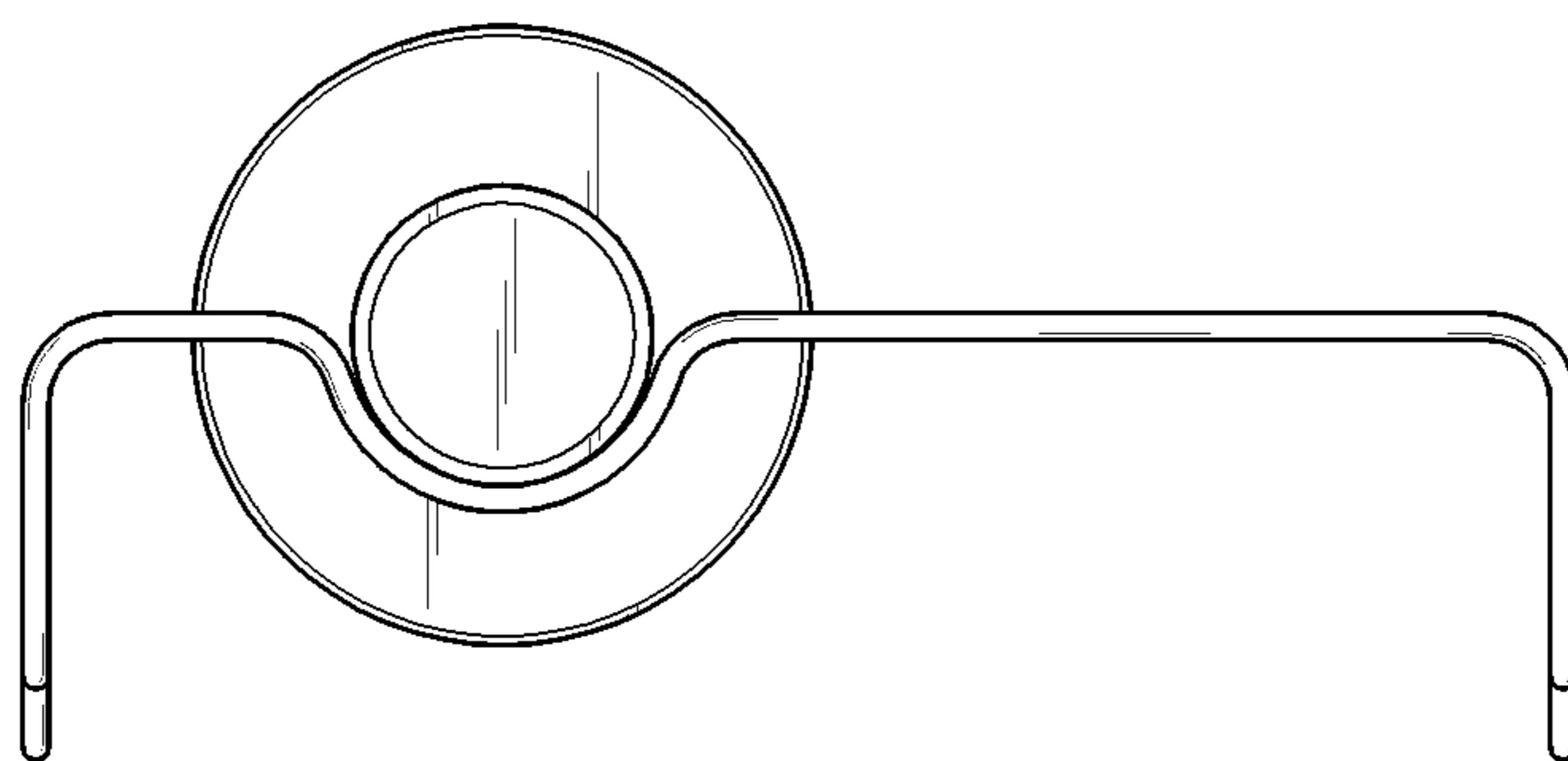
*FIG. 2*



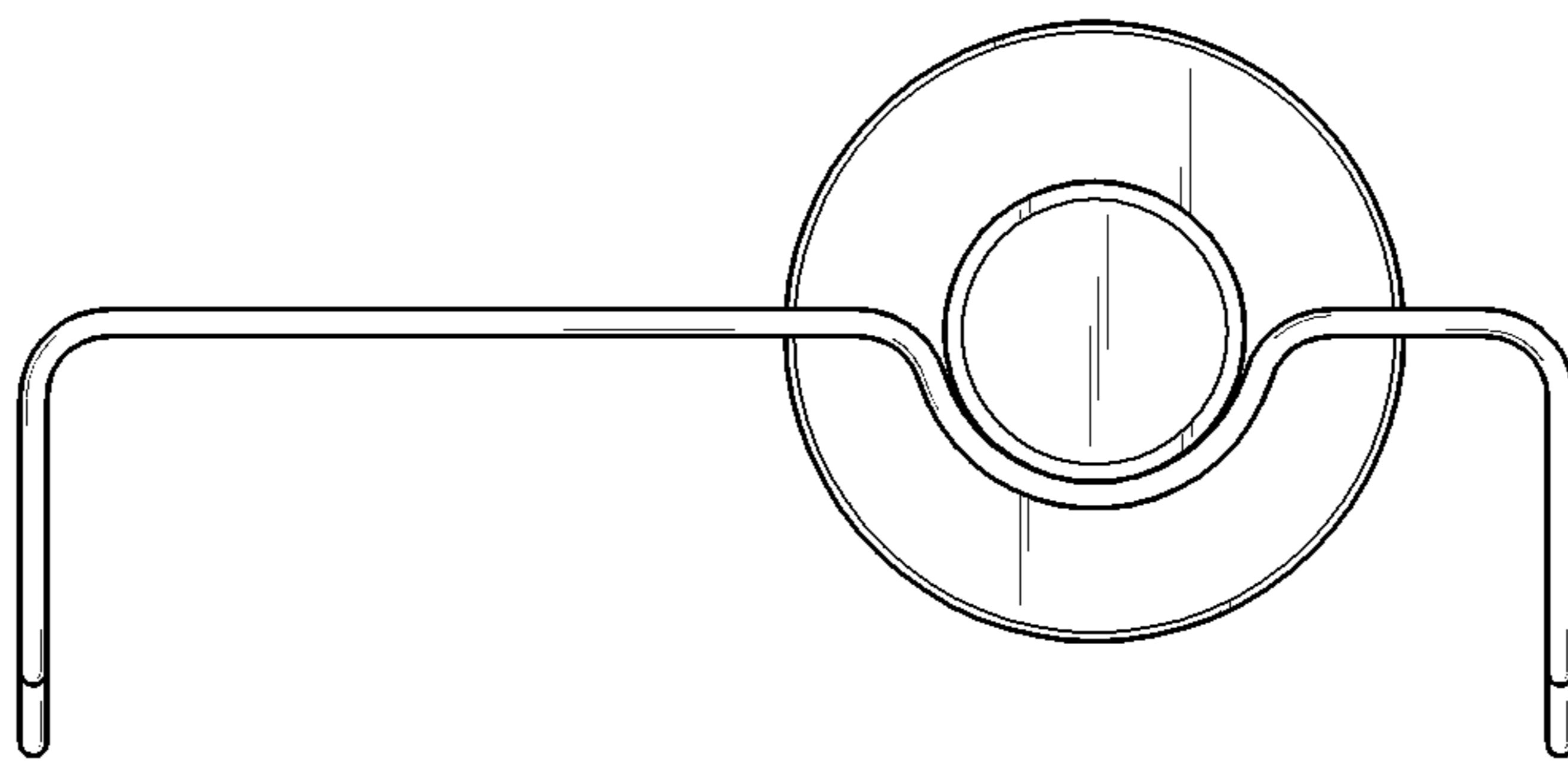
*FIG. 3*



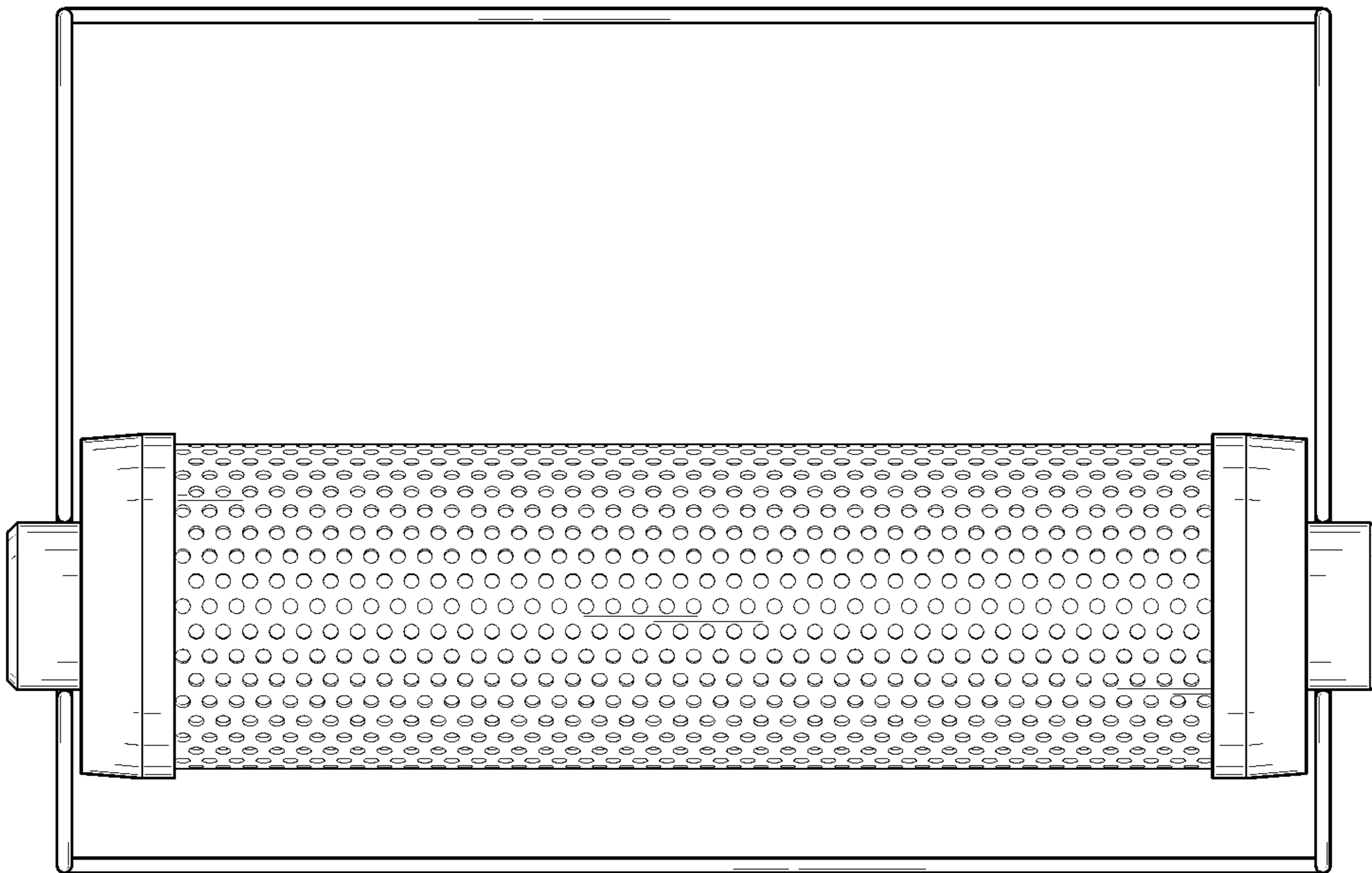
*FIG. 4*



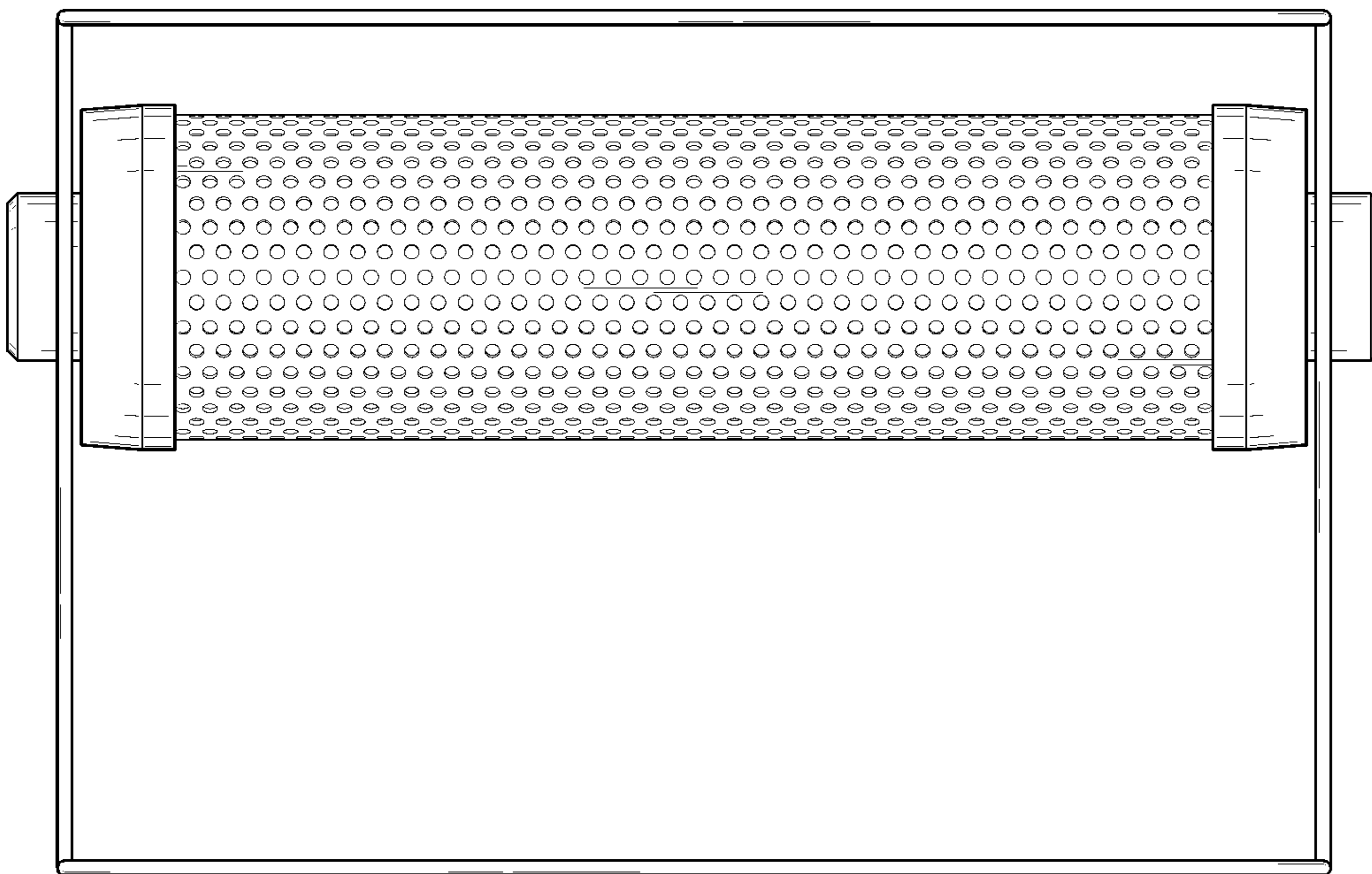
*FIG. 5*



*FIG. 6*



*FIG. 7*





*FIG. 8*

