



US00D978594S

(12) **United States Design Patent** (10) **Patent No.:** **US D978,594 S**
Ye (45) **Date of Patent:** **** Feb. 21, 2023**

(54) **KETTLE**
(71) Applicant: **Hamilton Beach Brands, Inc.**, Glen Allen, VA (US)
(72) Inventor: **Guoyao Ye**, Glen Allen, VA (US)
(73) Assignee: **Hamilton Beach Brands, Inc.**, Glen Allen, VA (US)
(**) Term: **15 Years**

D864,646 S * 10/2019 Josancy D7/319
D883,728 S * 5/2020 Gort-Barten A47J 37/00
D7/319
D893,946 S * 8/2020 McConnell D7/399
D937,028 S * 11/2021 Josancy D7/319
(Continued)

FOREIGN PATENT DOCUMENTS

CN 305731529 * 4/2020
CN 306016660 * 8/2020
CN 307515430 * 8/2022
(Continued)

(21) Appl. No.: **29/746,212**

(22) Filed: **Aug. 12, 2020**

(51) **LOC (14) Cl.** **07-01**

(52) **U.S. Cl.**
USPC **D7/319; D7/386**

(58) **Field of Classification Search**
USPC D7/507, 509, 510, 511, 533, 536, 392.1,
D7/396.1, 396.2, 608, 603, 316, 619.1,
D7/598, 600, 900, 361, 315, 319, 394,
D7/334, 415, 399, 386; D9/443, 449,
D9/561, 545; D3/202; D29/125, 126
CPC A47G 19/2205; A47G 23/16; A47G
19/2272; A47J 41/00; A47J 41/02; A47J
41/0088; A47J 41/0077; Y10S 220/903;
B65D 21/02; B65D 43/00; B65D 41/00
See application file for complete search history.

OTHER PUBLICATIONS

Rohaus [online] URL: http://rohaus.com/upload/iblock/00c/rk910s-_variable-temperature-kettle_uk_aw.pdf (site visited: Apr. 20, 2022)
(Year: 2014).*
(Continued)

Primary Examiner — Jae Liang
Assistant Examiner — Tia Ruth-Renee Polidori
(74) *Attorney, Agent, or Firm* — Alexander D. Raring

(57) **CLAIM**

The ornamental design for a kettle, as shown and described.

DESCRIPTION

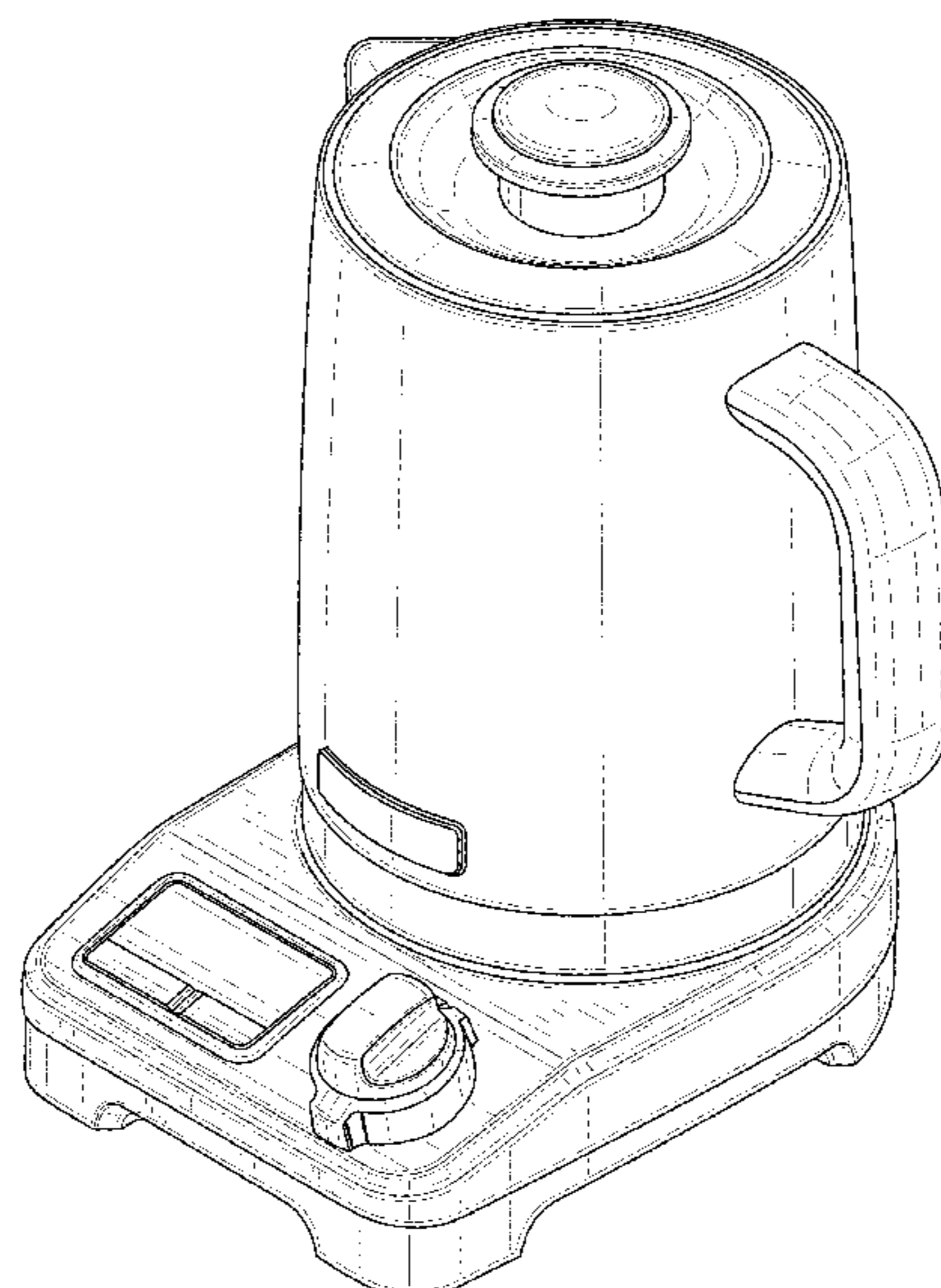
FIG. 1 is a top, right and front perspective view of my new design for a kettle;
FIG. 2 is a front elevation view thereof;
FIG. 3 is a right-side elevation view thereof;
FIG. 4 is a rear elevation view thereof;
FIG. 5 is a left-side elevation view thereof;
FIG. 6 is a top plan view thereof; and,
FIG. 7 is a bottom plan view thereof.
The broken lines in the drawings illustrate portions of the kettle that form no part of the claimed design.

(56) **References Cited**

U.S. PATENT DOCUMENTS

D484,357 S * 12/2003 Seum D7/378
D542,085 S * 5/2007 Reyes D7/386
D611,288 S * 3/2010 Bodum D7/319
D638,256 S * 5/2011 Wu D7/378
D731,226 S * 6/2015 Sun D7/316
D747,130 S * 1/2016 Kunz D7/319
D763,042 S * 8/2016 Shao D7/517
D811,806 S * 3/2018 Bock D7/386
D814,849 S * 4/2018 Lee D7/367
D815,873 S * 4/2018 Ho D7/319

1 Claim, 7 Drawing Sheets



(56)

References Cited

U.S. PATENT DOCUMENTS

2005/0199638 A1* 9/2005 Mott B65D 81/3865
220/753
2010/0270284 A1* 10/2010 Cohen A47J 27/21175
219/507

FOREIGN PATENT DOCUMENTS

CN 307687390 * 11/2022
KR 3007723420000 * 11/2014
WO WOD203356-001 * 11/2019

OTHER PUBLICATIONS

Hamilton Beach [online] URL: <https://www.amazon.com/Hamilton-Beach-41028-Professional-Temperatures/dp/B07HNYGSFT/> (site visited: Apr. 20, 2022) (Year: 2018).*

Chefman [online] URL: <https://www.amazon.com/-/es/electrico-preajustes-temperatura-programable-automatico/dp/B07TYGG2S3> (site visited: Apr. 20, 2022) (Year: 2019).*

Milin [online] URL: <https://www.amazon.com/MILIN-Electric-Temperature-Indicator-Protection/dp/B08FMPHQ53> (site visited: Apr. 20, 2022) (Year: 2020).*

Wolf [online] URL: <https://www.perigold.com/kitchen/pdp/wolf-gourmet-16-qt-stainless-steel-electric-tea-kettle-wfgo1064.html> (site visited: Apr. 20, 2022) (Year: 2021).*

* cited by examiner

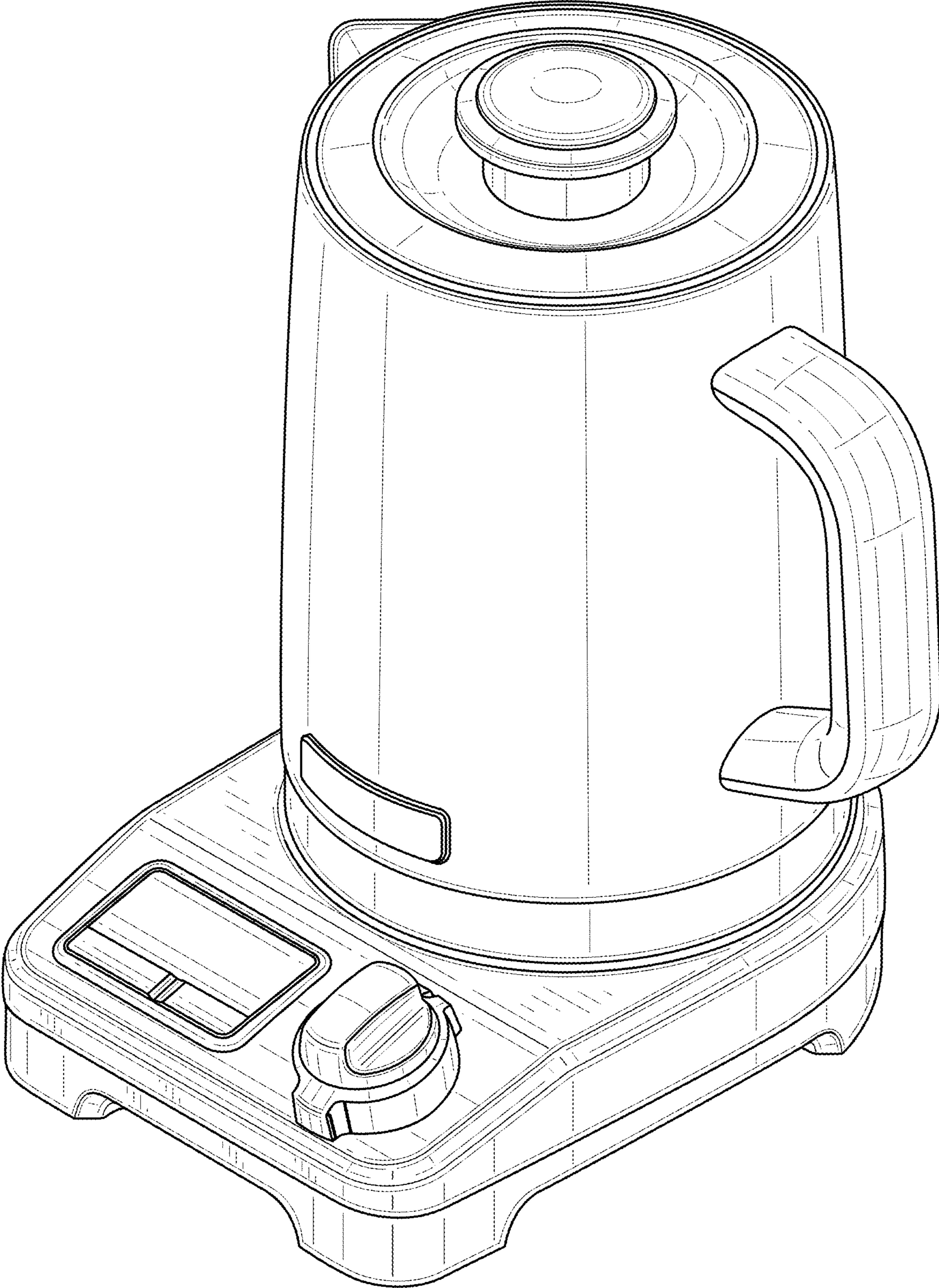


FIG. 1

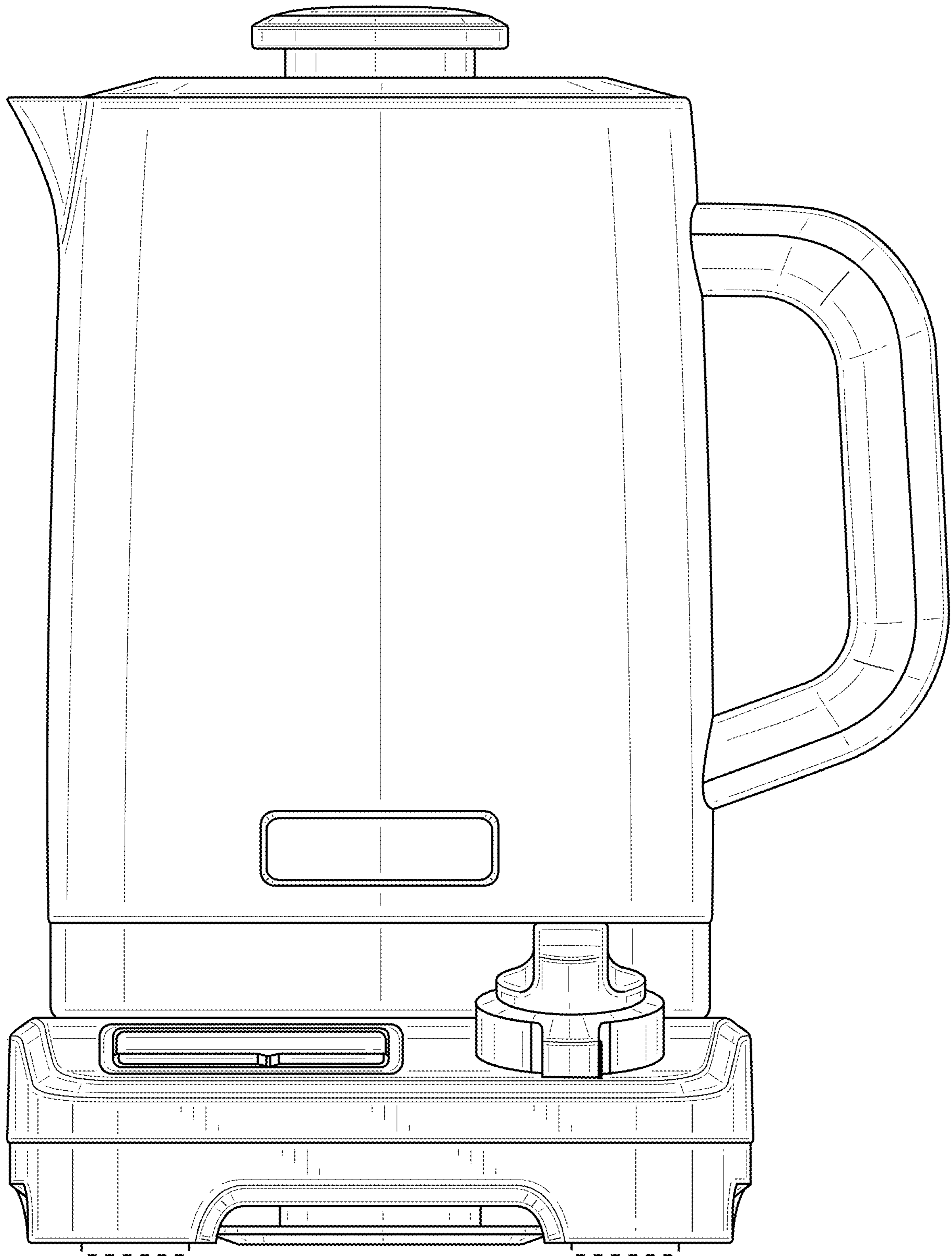


FIG. 2

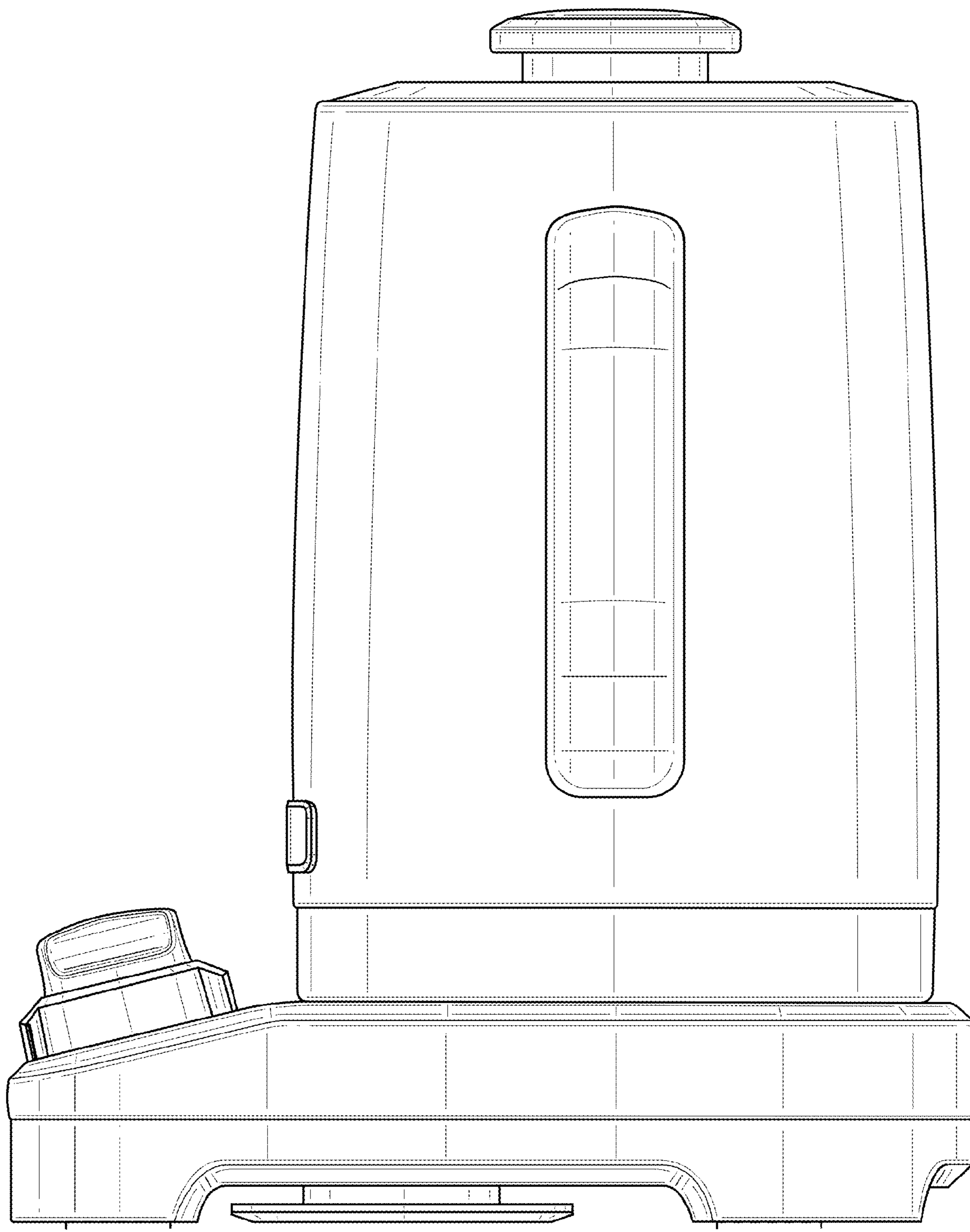


FIG. 3

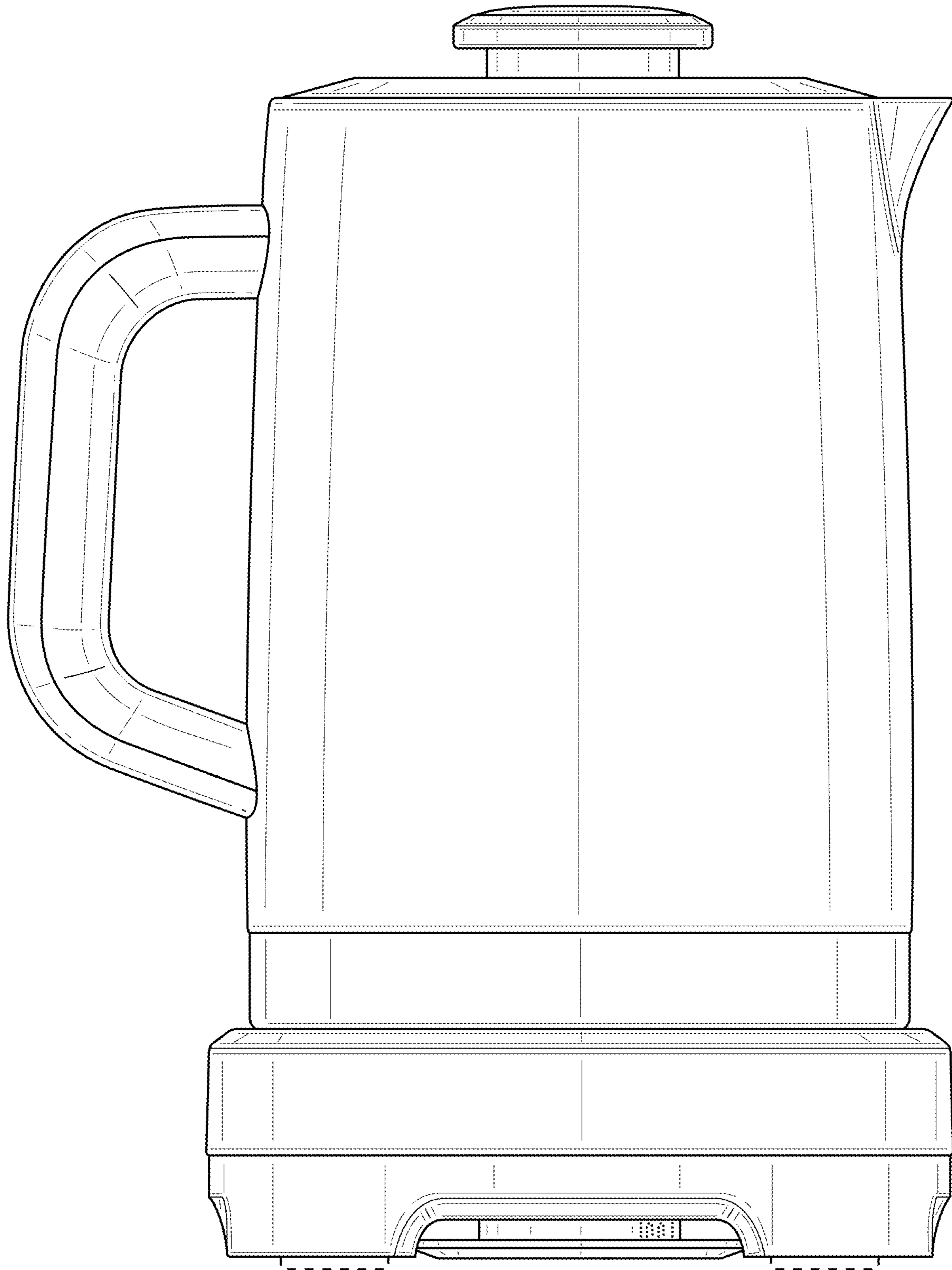


FIG. 4

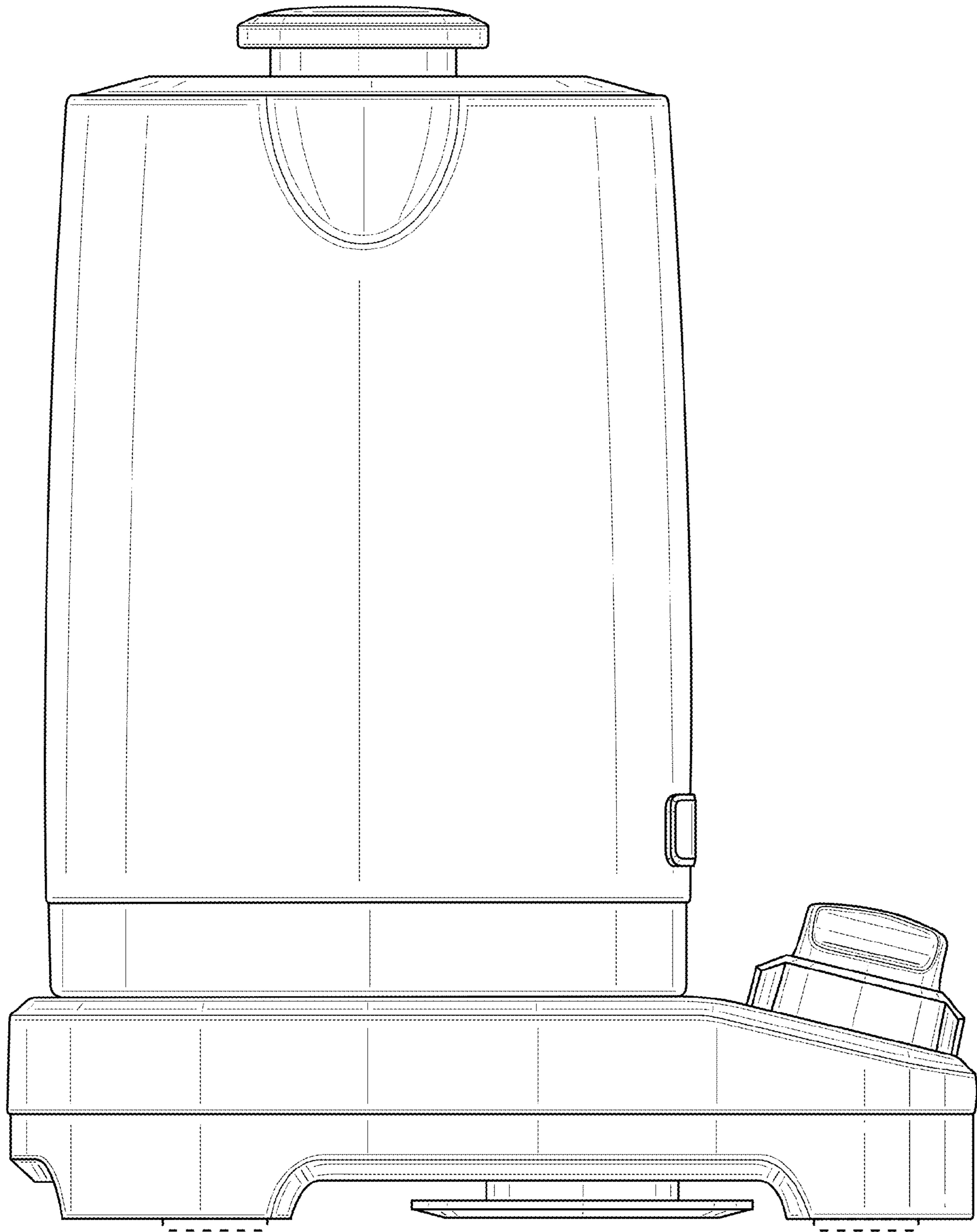


FIG. 5

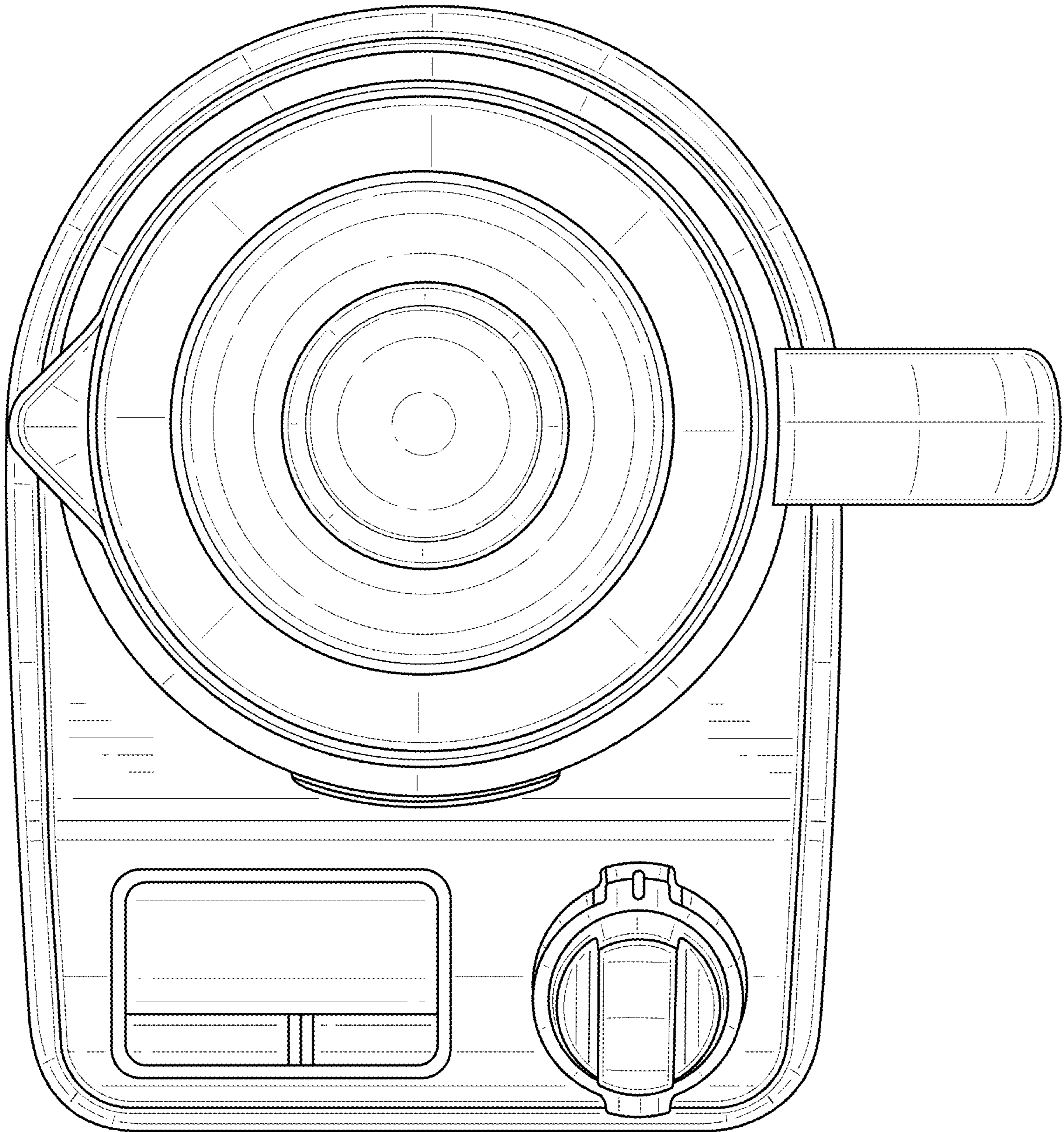


FIG. 6

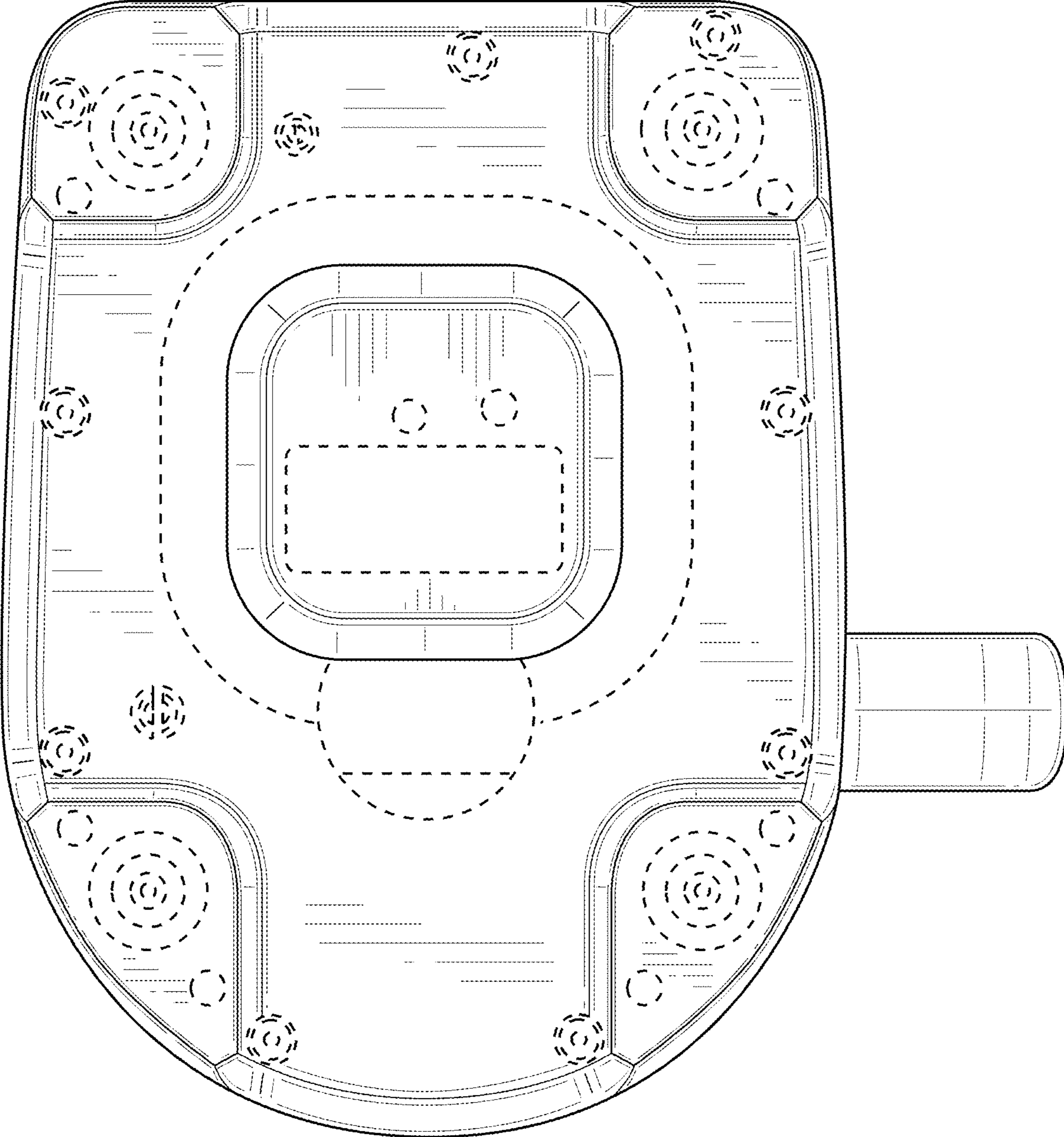


FIG. 7