



US00D978593S

(12) **United States Design Patent** (10) **Patent No.:** **US D978,593 S**
Melkonian (45) **Date of Patent:** **** Feb. 21, 2023**

(54) **DISPENSER**

D700,794 S * 3/2014 Yui D7/305
D700,795 S * 3/2014 Yui D7/305
D736,024 S * 8/2015 Taubman D7/306

(Continued)

(71) Applicant: **Brio Water Technology, Inc.**, City of Industry, CA (US)

(72) Inventor: **Arman Melkonian**, Granada Hills, CA (US)

(73) Assignee: **Brio Water Technology, Inc.**, City of Industry, CA (US)

FOREIGN PATENT DOCUMENTS

CN 303650364 * 4/2016
CN 303650366 * 4/2016

(Continued)

(**) Term: **15 Years**

OTHER PUBLICATIONS

(21) Appl. No.: **29/739,376**

Chesapeake Cooler Company, "Do you know anyone tired of lugging around the 5 gallon jugs of water, or finding storage to keep them till they need to be used?" Nov. 21, 2013, Facebook, www.facebook.com/ChesapeakeCooler/photos/620811737981988 (Year: 2013).*

(Continued)

(22) Filed: **Jun. 24, 2020**

(51) **LOC (14) Cl.** **20-01**

(52) **U.S. Cl.**
USPC **D7/306; D23/207**

(58) **Field of Classification Search**
USPC D7/300, 305-313, 397-399, 405, 407, D7/665; D15/82; D20/1; D23/207, 208
CPC A47J 19/00; A47J 19/02; A47J 19/023; A47J 19/027; A47J 19/06; A47J 31/005; A47J 31/0576; A47J 31/0657; A47J 31/0668; A47J 31/24; A47J 31/3633; A47J 31/40; A47J 31/44; A47J 31/4403; A47J 31/4485; A47J 31/46; A47J 31/467; A47J 31/50; B67D 1/0022; B67D 1/0023; B67D 1/0024; B67D 1/0041; B67D 1/0085; B67D 1/0089; B67D 1/07; B67D 1/0894; B67D 1/0888; B67D 1/16; B67D 2001/0087; B67D 2001/0091; C02F 1/003; C02F 2209/445; C12G 3/06; G07F 13/06

See application file for complete search history.

Primary Examiner — Joseph Kukella
Assistant Examiner — Arva P Adams
(74) *Attorney, Agent, or Firm* — Foundation Law Group LLP; Sevag Demirjian; J D Harriman

(57) **CLAIM**

The ornamental design for a dispenser, as shown and described.

DESCRIPTION

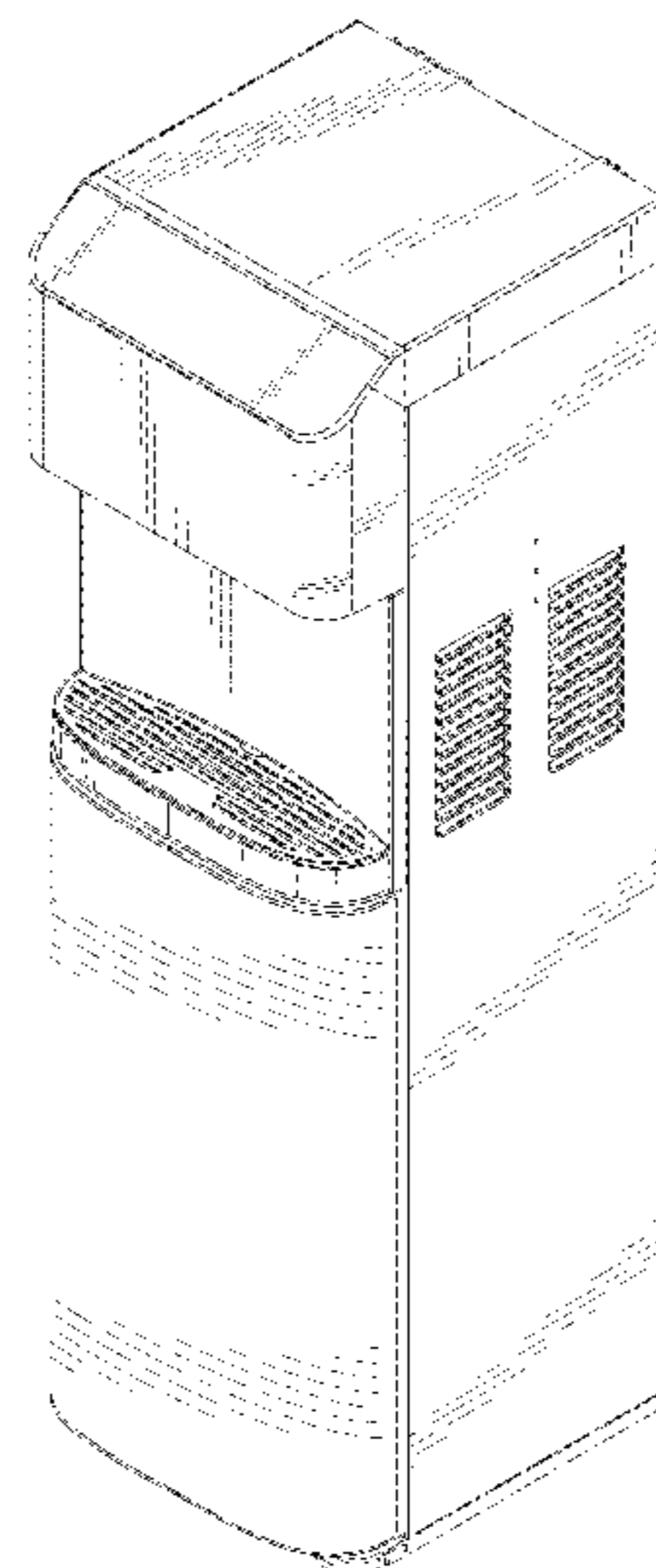
FIG. 1 is a top perspective view, showing my new design; FIG. 2 is a bottom perspective view thereof; FIG. 3 is a front elevation view thereof; FIG. 4 is a rear elevation view thereof; FIG. 5 is a left side elevation view thereof; FIG. 6 is a right-side view thereof; FIG. 7 is a top plan view thereof; and, FIG. 8 is a bottom plan view thereof. The broken lines show portions of the dispenser that form no part of the claimed design.

(56) **References Cited**

U.S. PATENT DOCUMENTS

D274,779 S * 7/1984 LaLumiere D7/306
D310,612 S * 9/1990 Desrosiers D7/307
D644,712 S * 9/2011 Seo D23/207

1 Claim, 8 Drawing Sheets



(56)

References Cited

OTHER PUBLICATIONS

U.S. PATENT DOCUMENTS

D790,898 S * 7/2017 Taubman D7/306
 D795,629 S * 8/2017 Ullman D7/306
 D805,601 S * 12/2017 Roh D23/207
 D813,346 S * 3/2018 Lee D23/207
 D825,243 S * 8/2018 Yoon D7/308
 D832,021 S * 10/2018 Yoon D7/313
 D850,839 S * 6/2019 Hardy D7/307
 D876,147 S * 2/2020 Rubin D7/308
 D882,037 S * 4/2020 Roh D23/207
 D882,337 S * 4/2020 Moon D7/397
 D884,407 S * 5/2020 Tan D7/313
 D913,412 S * 3/2021 Lee D23/207
 D926,285 S * 7/2021 Park D23/207

FOREIGN PATENT DOCUMENTS

CN 305277598 * 7/2019
 CN 305358746 * 9/2019
 CN 305358748 * 9/2019
 CN 305423508 * 11/2019
 CN 305449822 * 11/2019
 CN 305547238 * 1/2020
 CN 305571470 * 1/2020
 CN 306850009 * 9/2021

Rees, Dave, "NewAir Pure Spring WAT40W Hot & Cold Bottom Loading Water Dispenser review," May 6, 2016, The Gadgeteer, <https://the-gadgeteer.com/2016/05/06/newair-pure-spring-wat40w-hot-cold-bottom-loading-water-dispenser-review/> (Year: 2016).*

Clover Co., Ltd., "Product Catalogue," Jun. 27, 2018, Clover Co., Ltd., pp. Cover, 12, 13, 15, 18. (Year: 2018).*

Amazon.com, "Brio Self Cleaning Bottom Loading Water Cooler Water Dispenser," Feb. 25, 2019, Amazon.com, www.amazon.com/Brio-Cleaning-Bottom-Loading-Dispenser/dp/B07P6FS6HW (Year: 2019).*

Avalon, "A few simple steps to ensure perfect water, everytime." Mar. 12, 2019, Avalon, pp. 3, 4, 16, 18, 21, 23, 24, 27-31 (Year: 2019).*

DTWUSA, "Bottom-Load Water Dispenser Setup Manual," Feb. 19, 2020, DTWUSA, pp. 1, 4, 6, 10 (Year: 2020).*

Amazon.com, "Brio Moderna Bottom Load Water Cooler Dispenser," Feb. 3, 2020, Amazon.com, www.amazon.com/Brio-Moderna-Cleaning-Dispenser-Feature/dp/B084GCYF28#descriptionAndDetails (Year: 2020).*

* cited by examiner

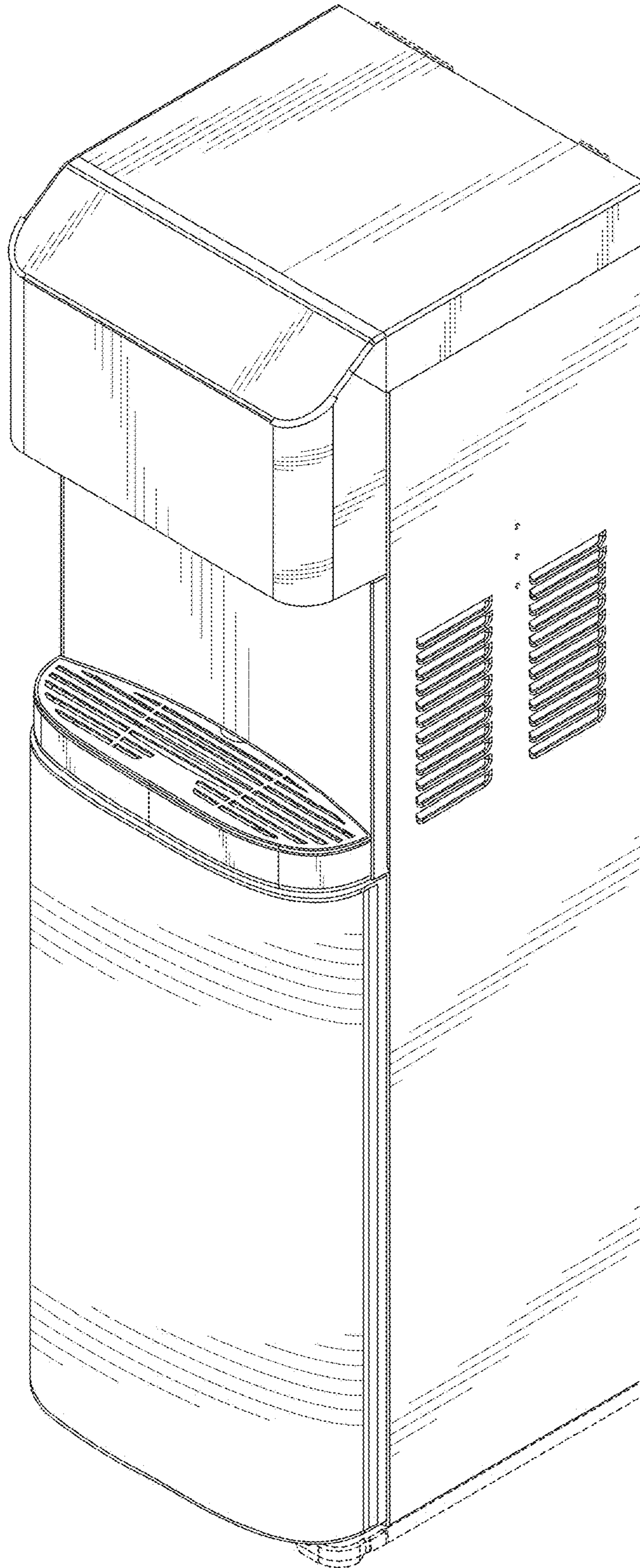


FIG. 1

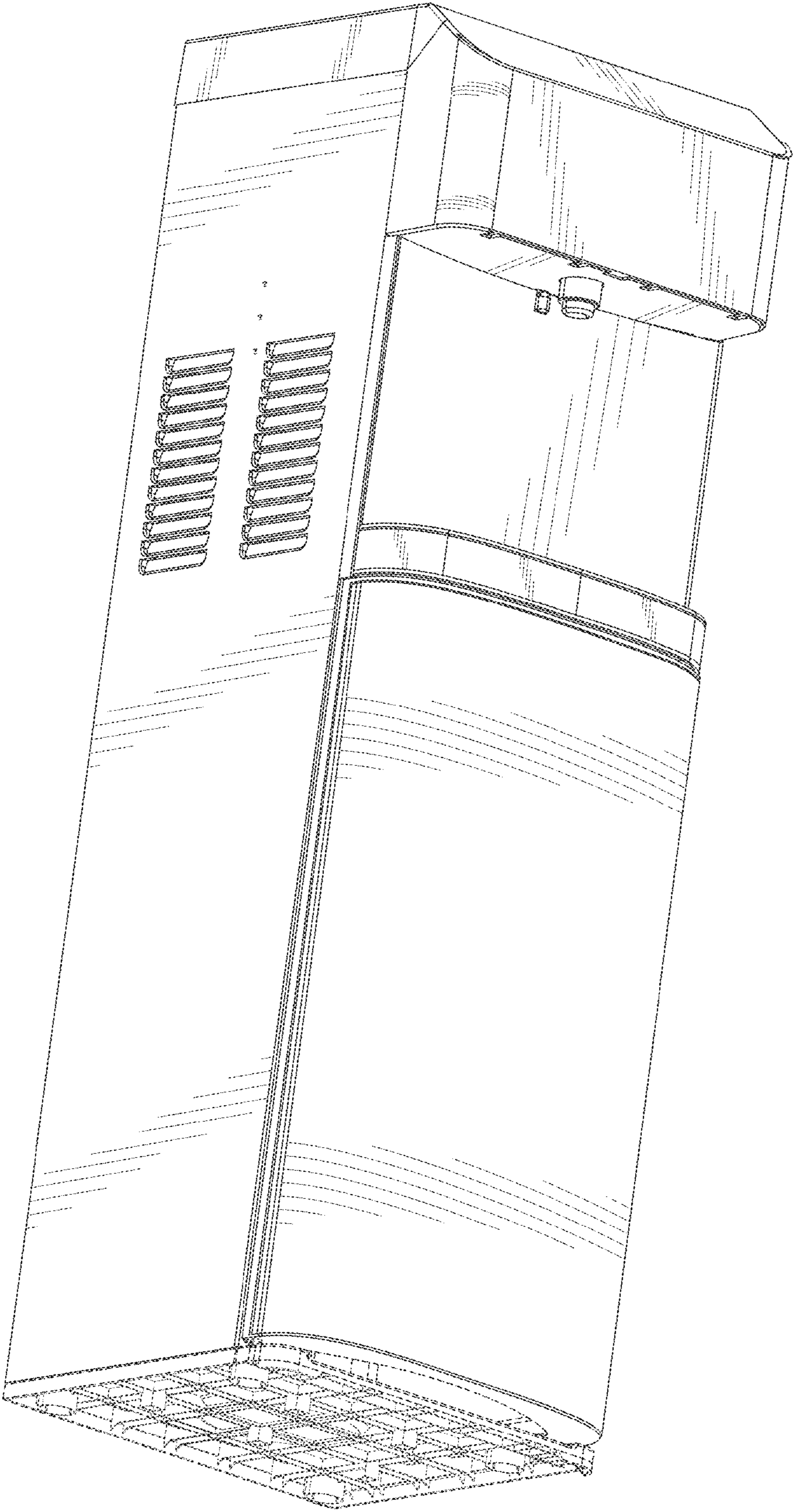


FIG. 2

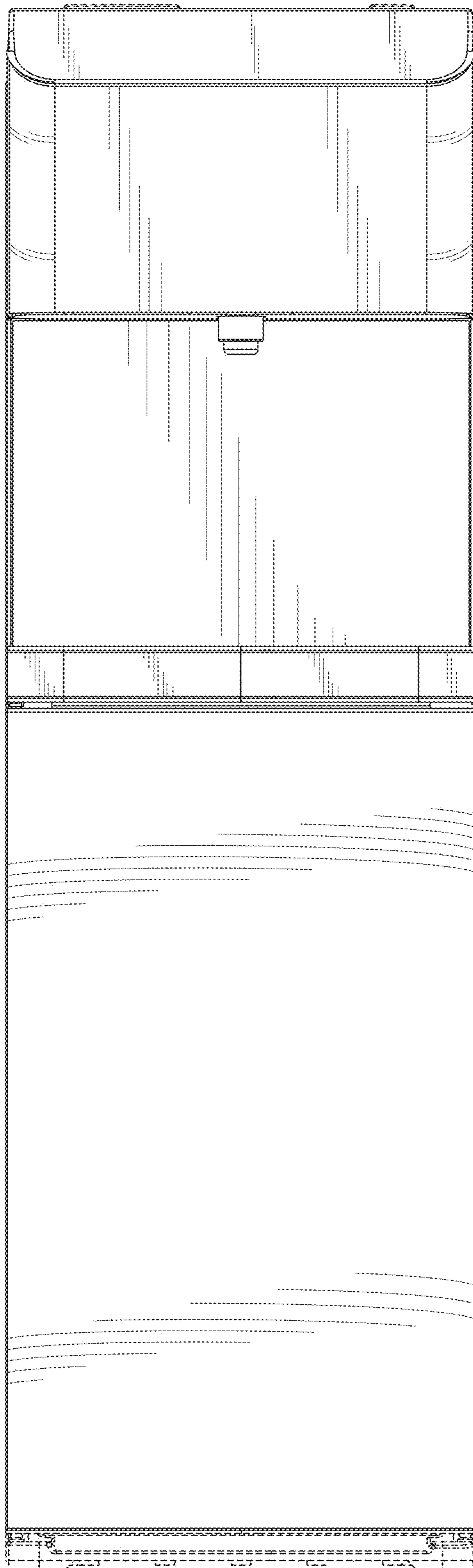


FIG. 3

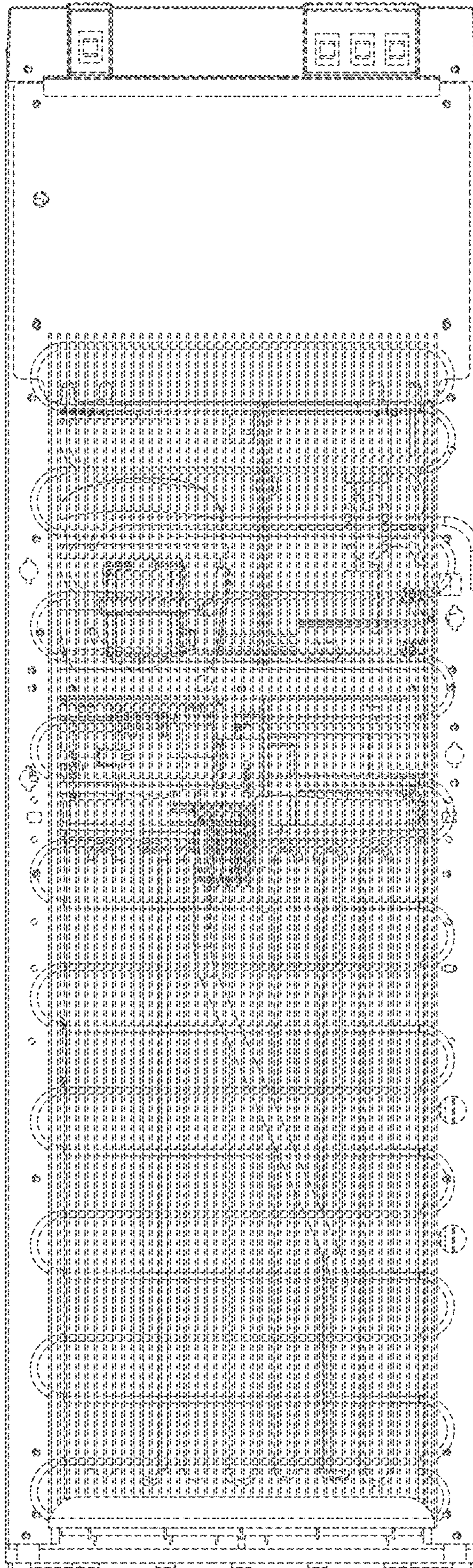


FIG. 4

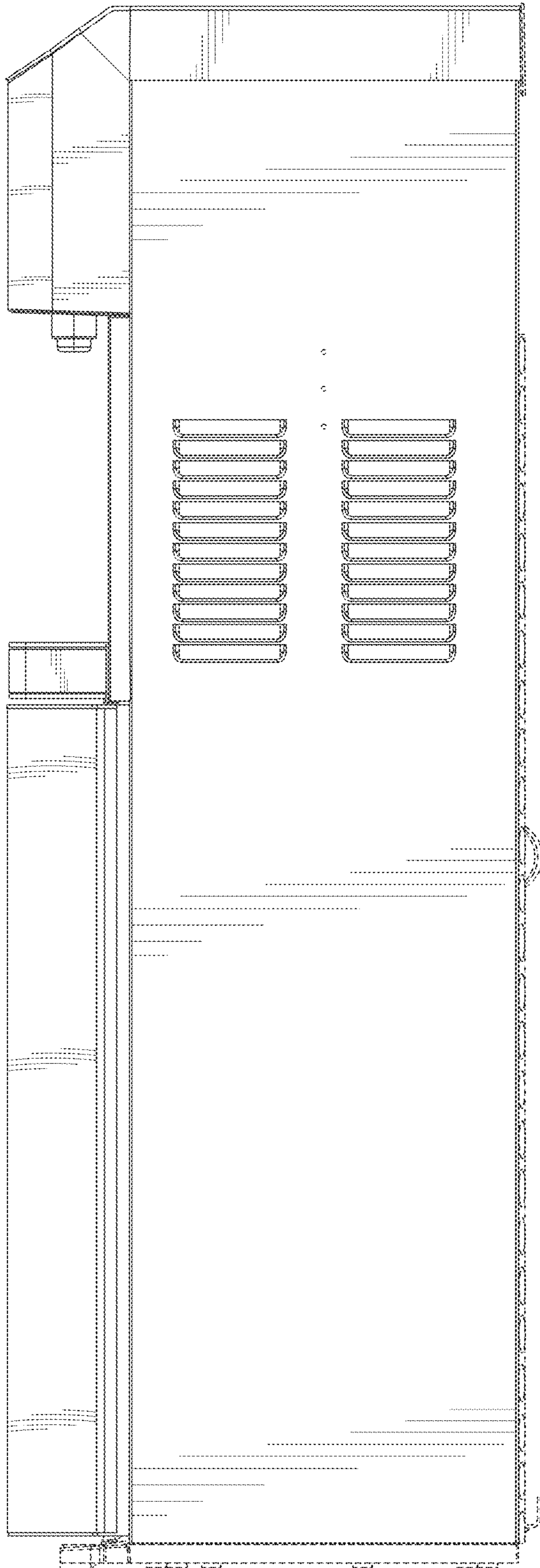


FIG. 5

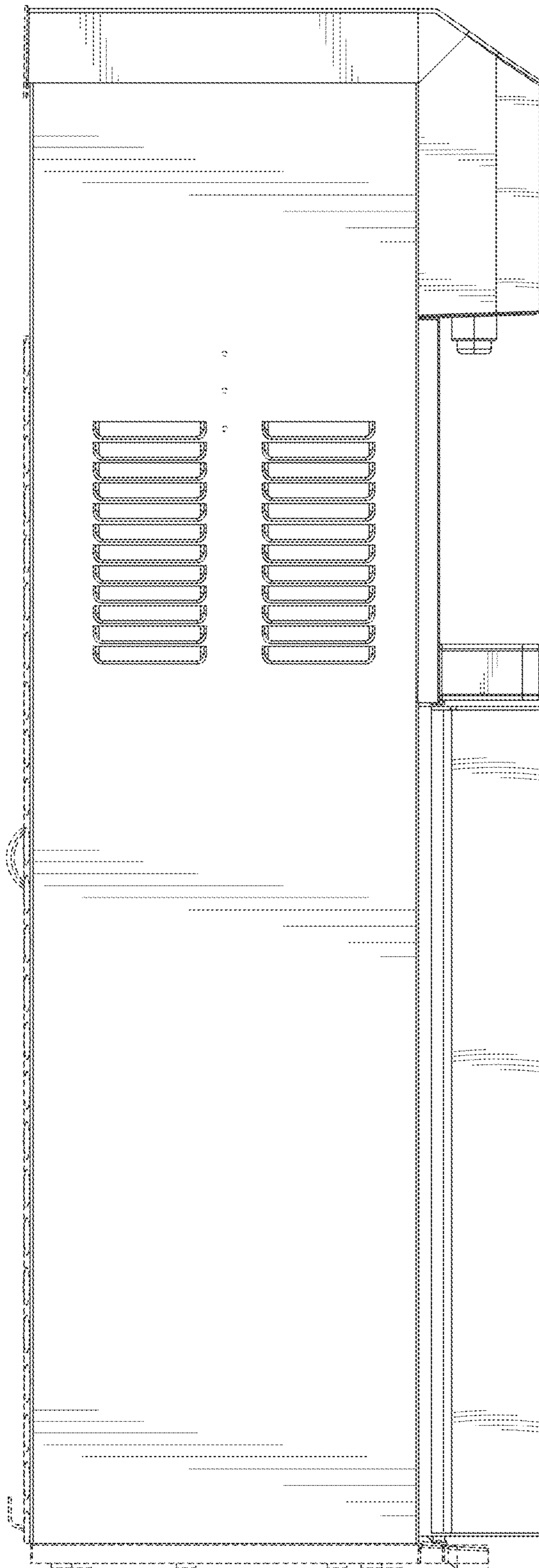


FIG. 6

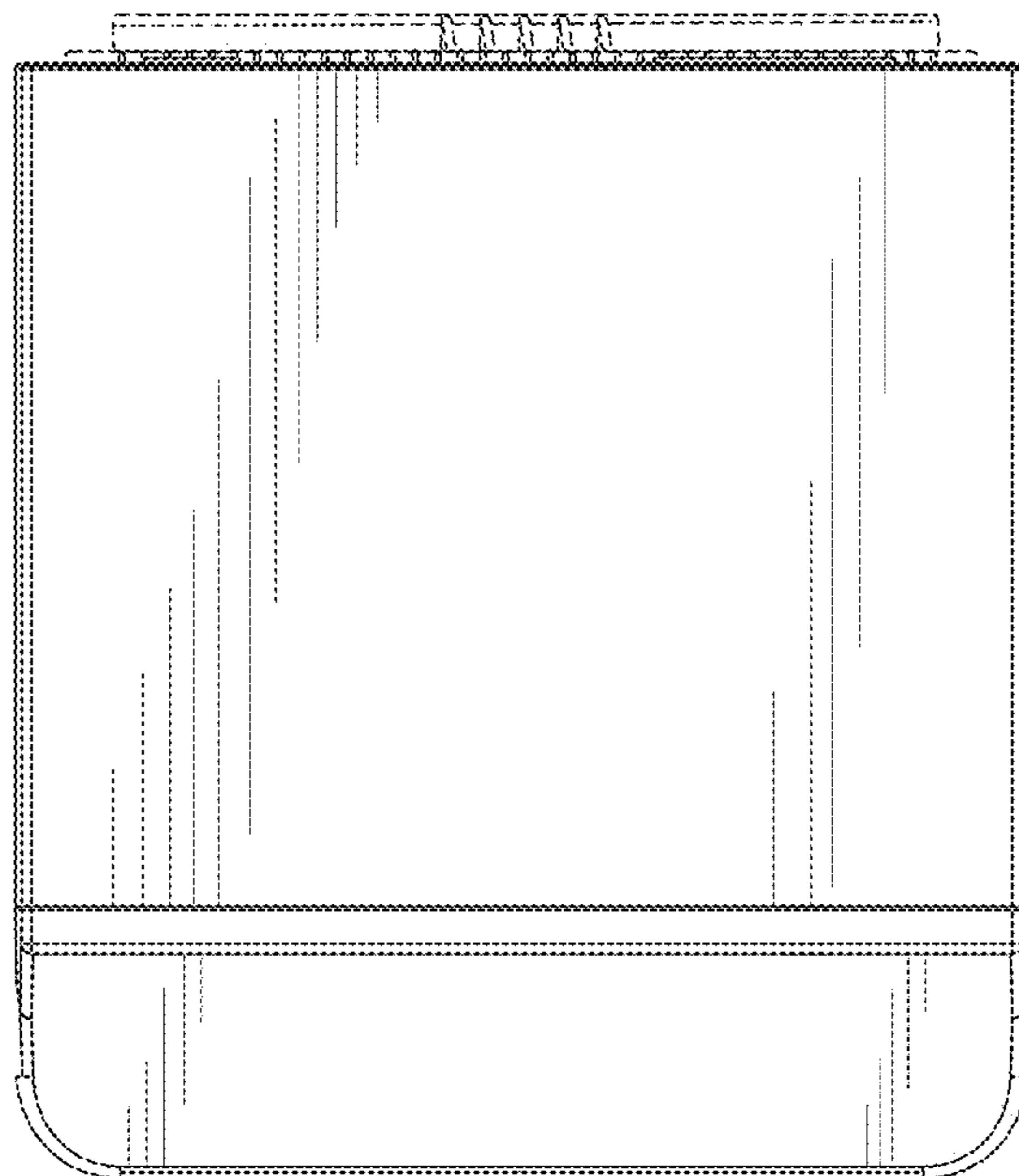


FIG. 7

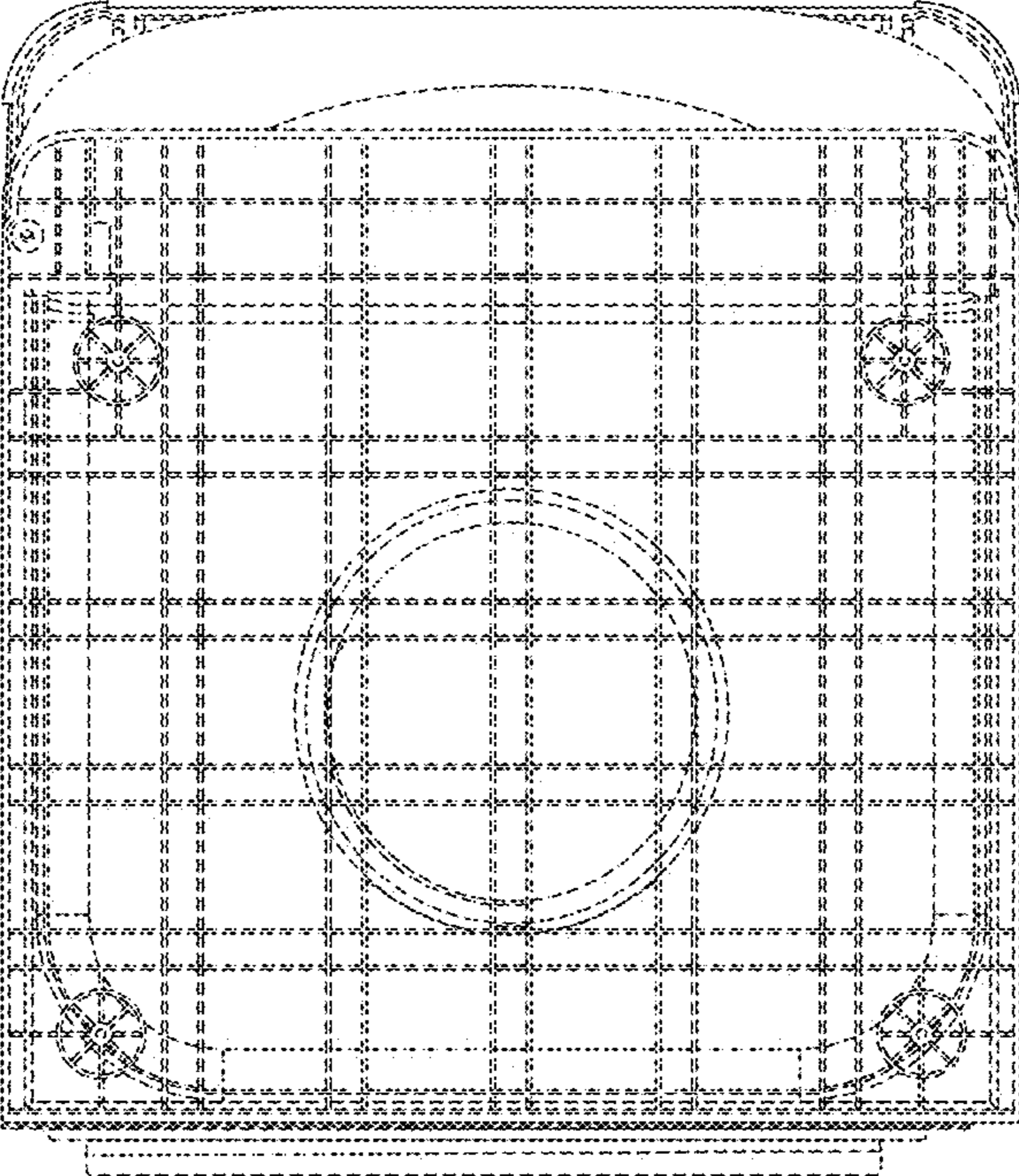


FIG. 8