



US00D978591S

(12) **United States Design Patent** (10) **Patent No.:** **US D978,591 S**
Hedberg et al. (45) **Date of Patent:** **** Feb. 21, 2023**

(54) **ARMREST**
(71) Applicants: **Brad M Hedberg**, Winnetka, IL (US);
Kirsten E Hedberg, Winnetka, IL
(US); **Katie A Hedberg**, Winnetka, IL
(US)

(72) Inventors: **Brad M Hedberg**, Winnetka, IL (US);
Kirsten E Hedberg, Winnetka, IL
(US); **Katie A Hedberg**, Winnetka, IL
(US)

(**) Term: **15 Years**

(21) Appl. No.: **29/835,000**

(22) Filed: **Apr. 15, 2022**

(51) **LOC (14) Cl.** **06-06**

(52) **U.S. Cl.**
USPC **D6/716.3**

(58) **Field of Classification Search**
USPC D6/334-336, 356, 364, 365, 366, 367,
D6/368, 370, 374, 375, 379, 380, 716,
D6/716.1, 716.2, 716.3, 716.4
CPC B63B 29/04; A47C 5/06; A47C 5/064;
A47C 5/10; A47C 7/54
See application file for complete search history.

(56) **References Cited**

U.S. PATENT DOCUMENTS

4,802,708 A 2/1989 Vos et al.
D449,171 S * 10/2001 Kyle D6/364
D598,222 S * 8/2009 Sullivan D6/716.3
D922,084 S * 6/2021 Fan D6/370

FOREIGN PATENT DOCUMENTS

CN 210227474 U 4/2020
CN 212117635 U 12/2020
CN 212521261 U 2/2021

CN 212788002 U 3/2021
CN 112998462 A 6/2021
DE 202021100919 U1 3/2021
JP 6870952 B2 5/2021
KR 101785175 B1 10/2017
KR 20210000729 U 4/2021

OTHER PUBLICATIONS

<https://tempres.com/store/Deluxe-Powder-Coated-Black-Armrest-Bracket-p95075260>.

* cited by examiner

Primary Examiner — Mimoso De
(74) *Attorney, Agent, or Firm* — Lesley A. Wallerstein,
LLC

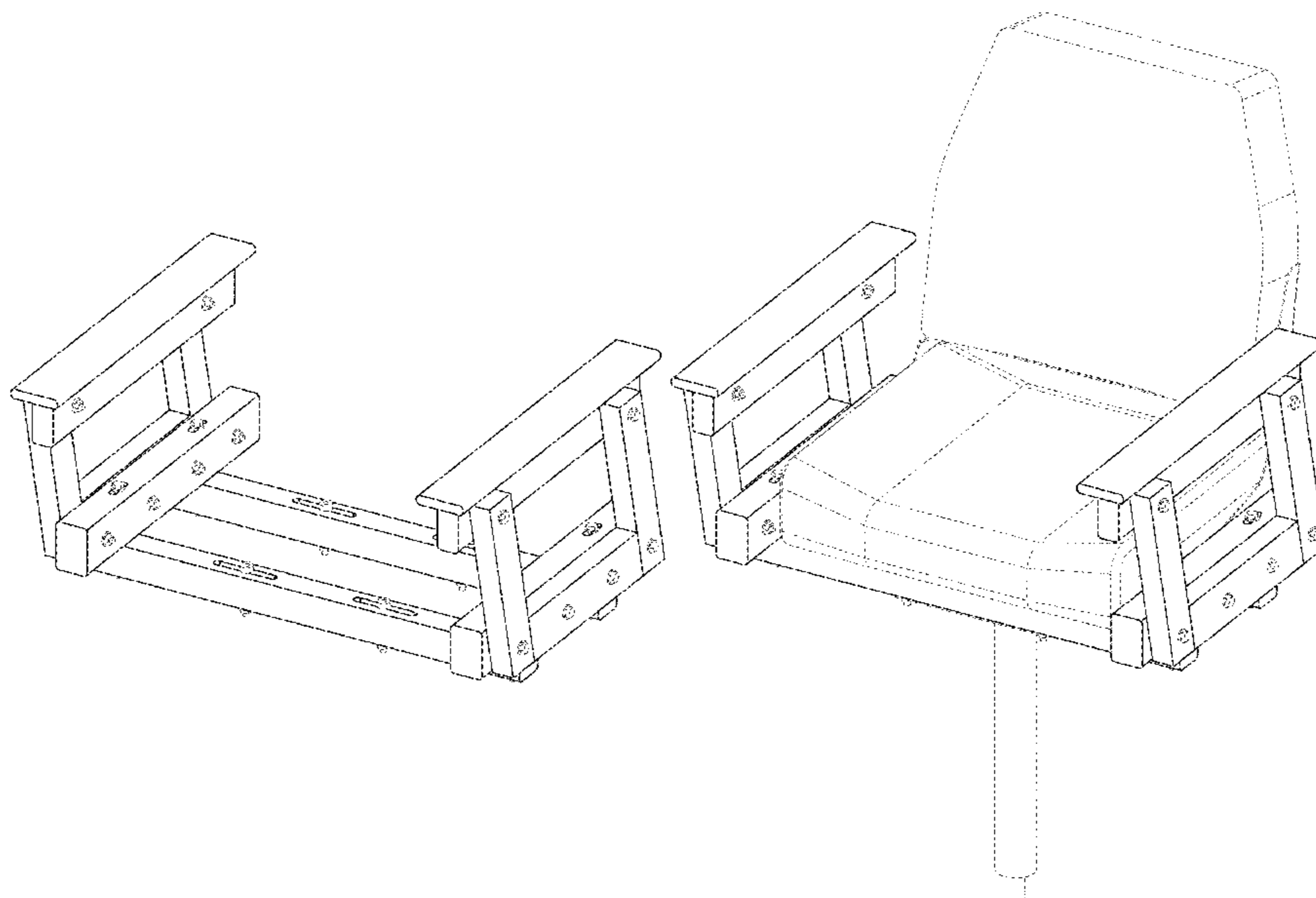
(57) **CLAIM**

The ornamental design for an armrest, as shown and described.

DESCRIPTION

FIG. 1 is a top perspective view of an armrest.
FIG. 2 is a bottom perspective view of the armrest of FIG. 1.
FIG. 3 is a front view of the armrest of FIG. 1.
FIG. 4 is a rear view of the armrest of FIG. 1.
FIG. 5 is left view of the armrest of FIG. 1.
FIG. 6 is a right view of the armrest of FIG. 1.
FIG. 7 is a top view of the armrest of FIG. 1.
FIG. 8 is a bottom view of the armrest of FIG. 1.
FIG. 9 is another top perspective view of the armrest of FIG. 1; and,
FIG. 10 is another bottom perspective view of the armrest of FIG. 1.
The broken lines depict environmental subject matter and form no part of the claimed design.

1 Claim, 10 Drawing Sheets



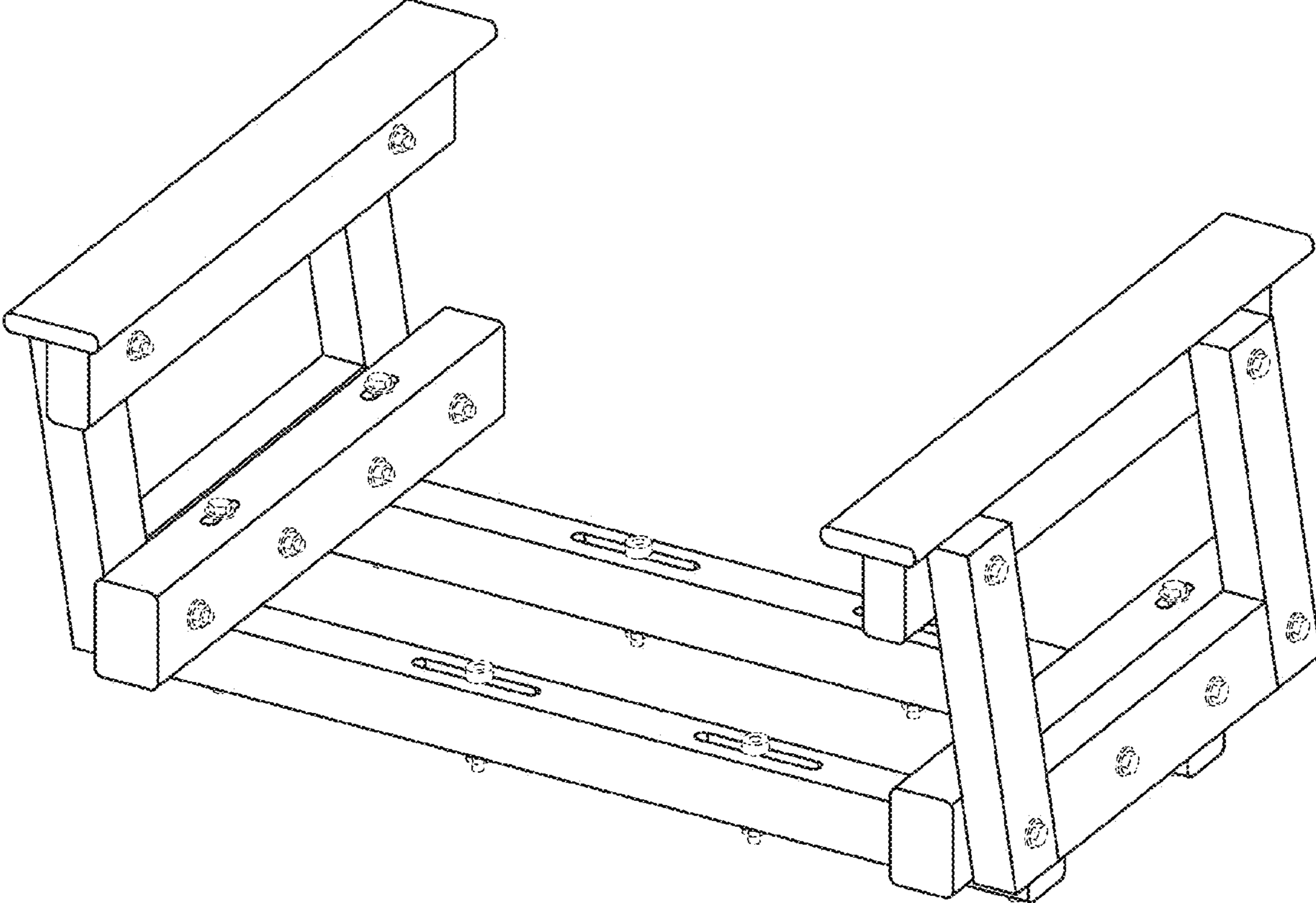


FIG. 1

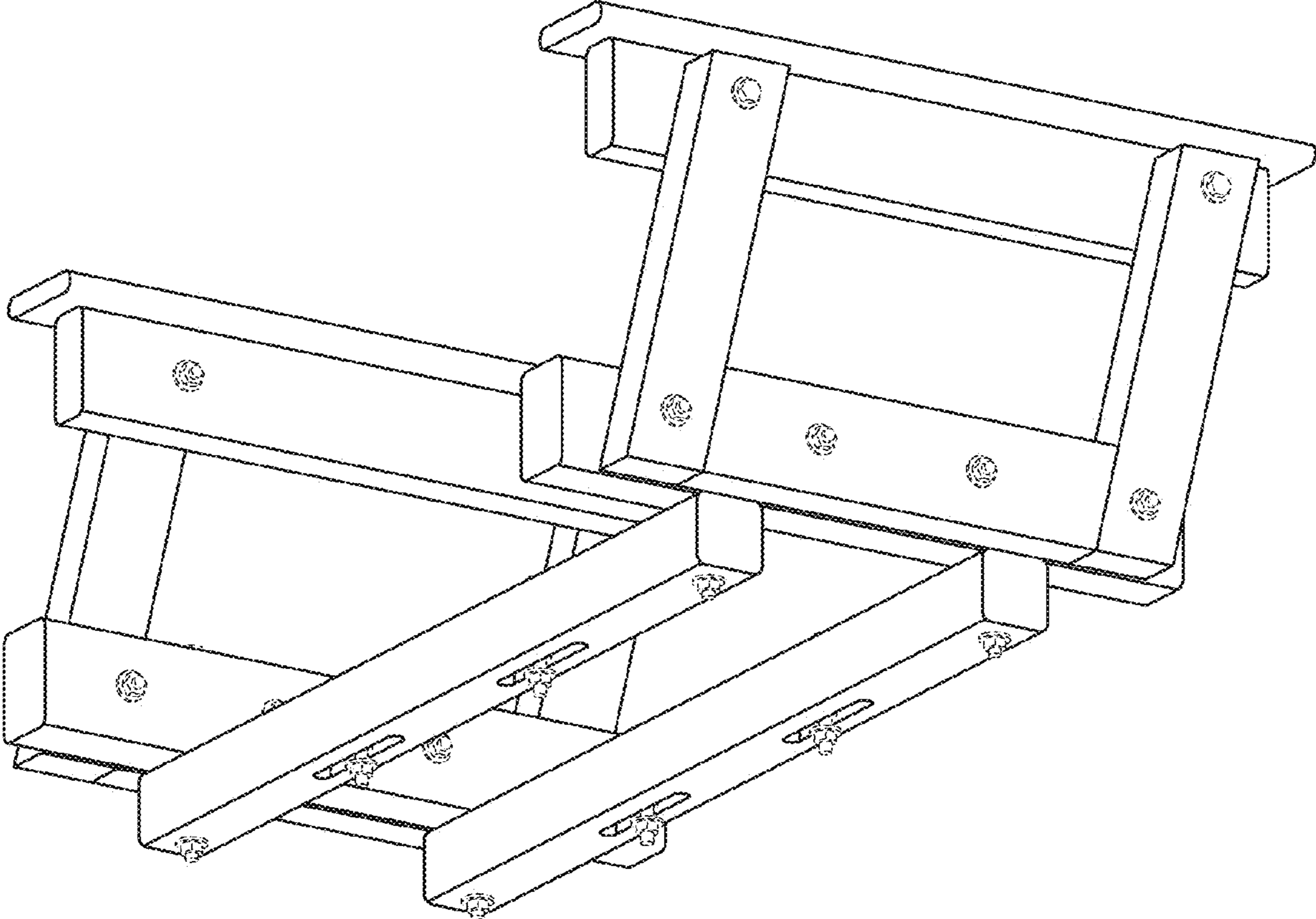


FIG. 2

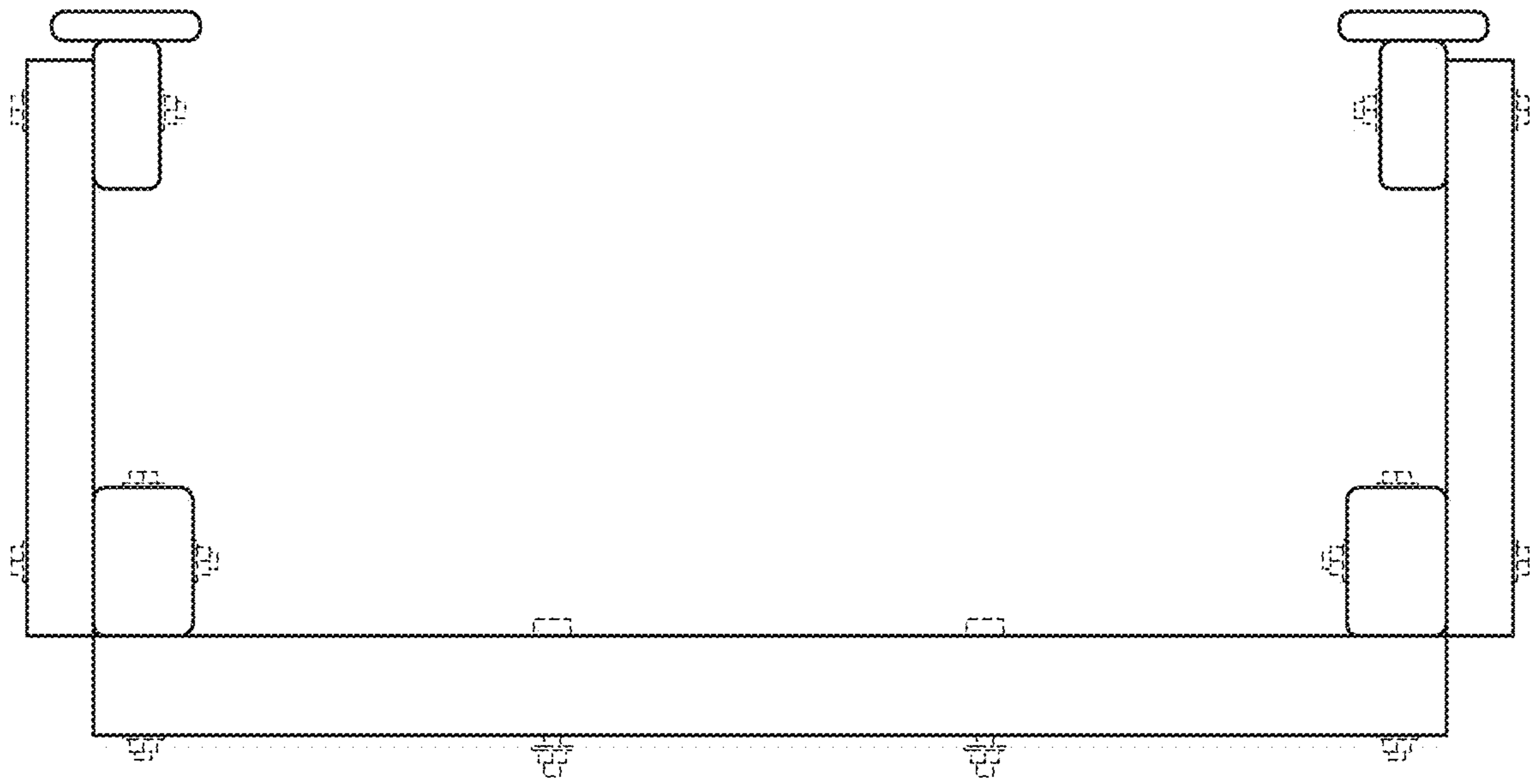


FIG. 3

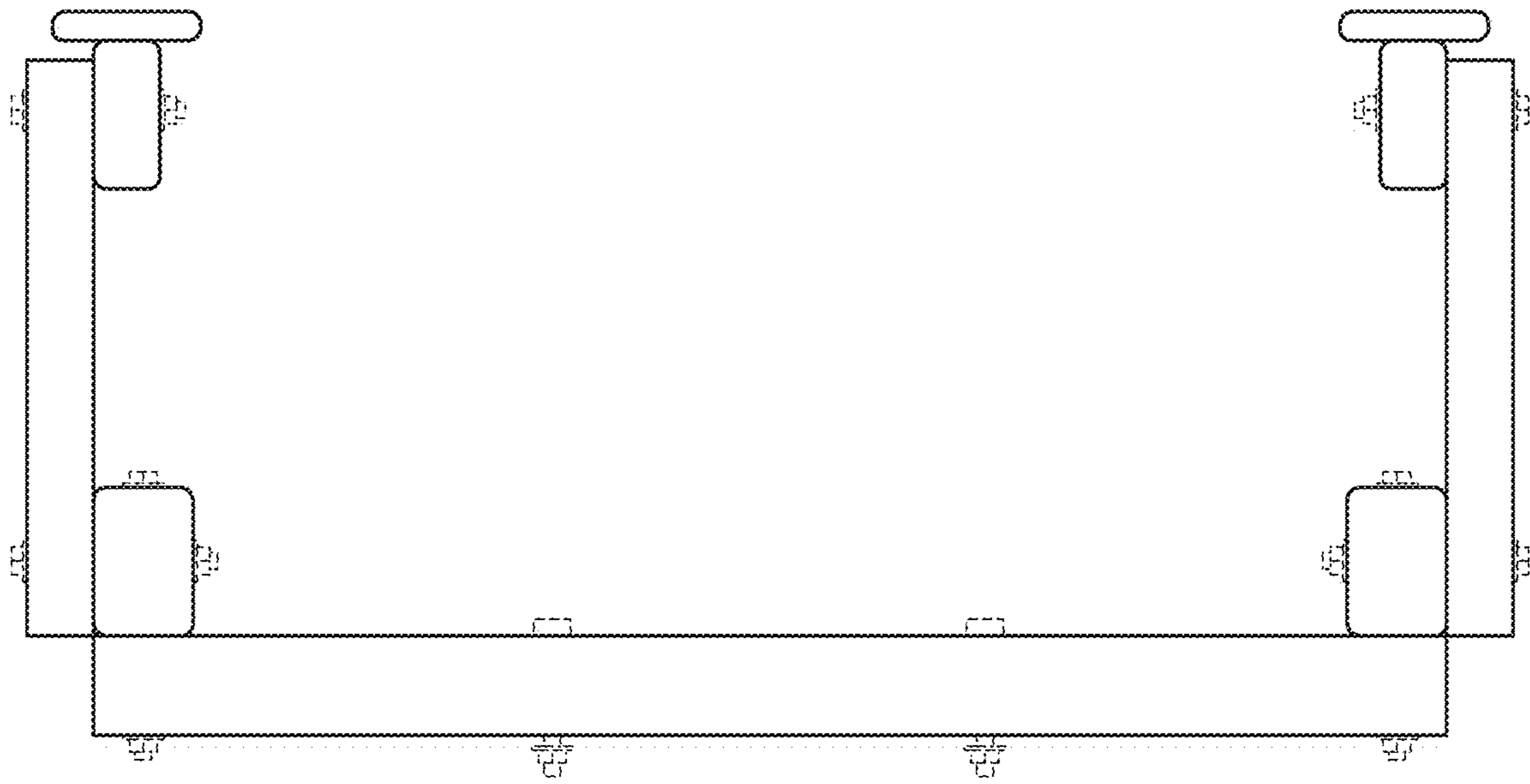


FIG. 4

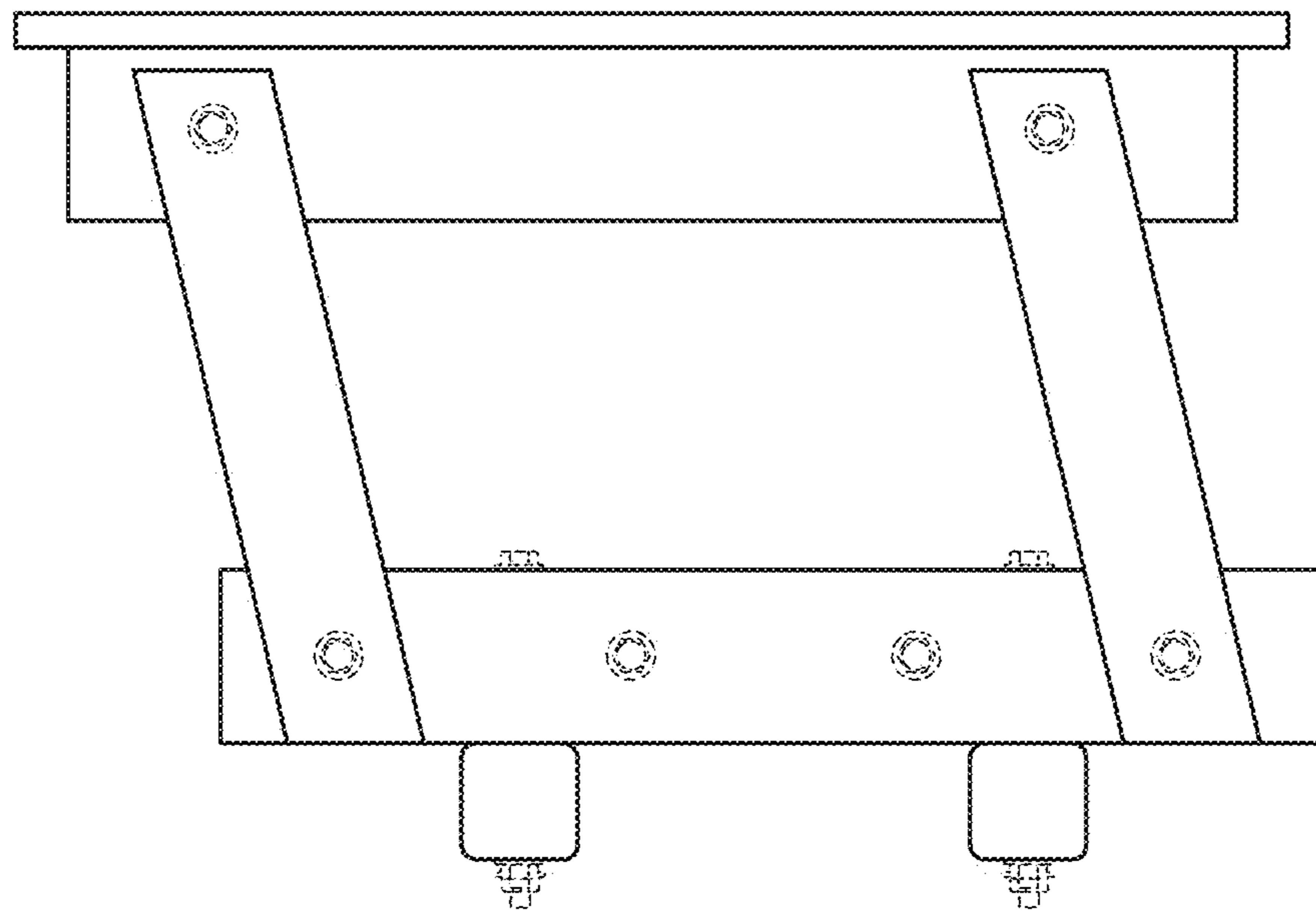


FIG. 5

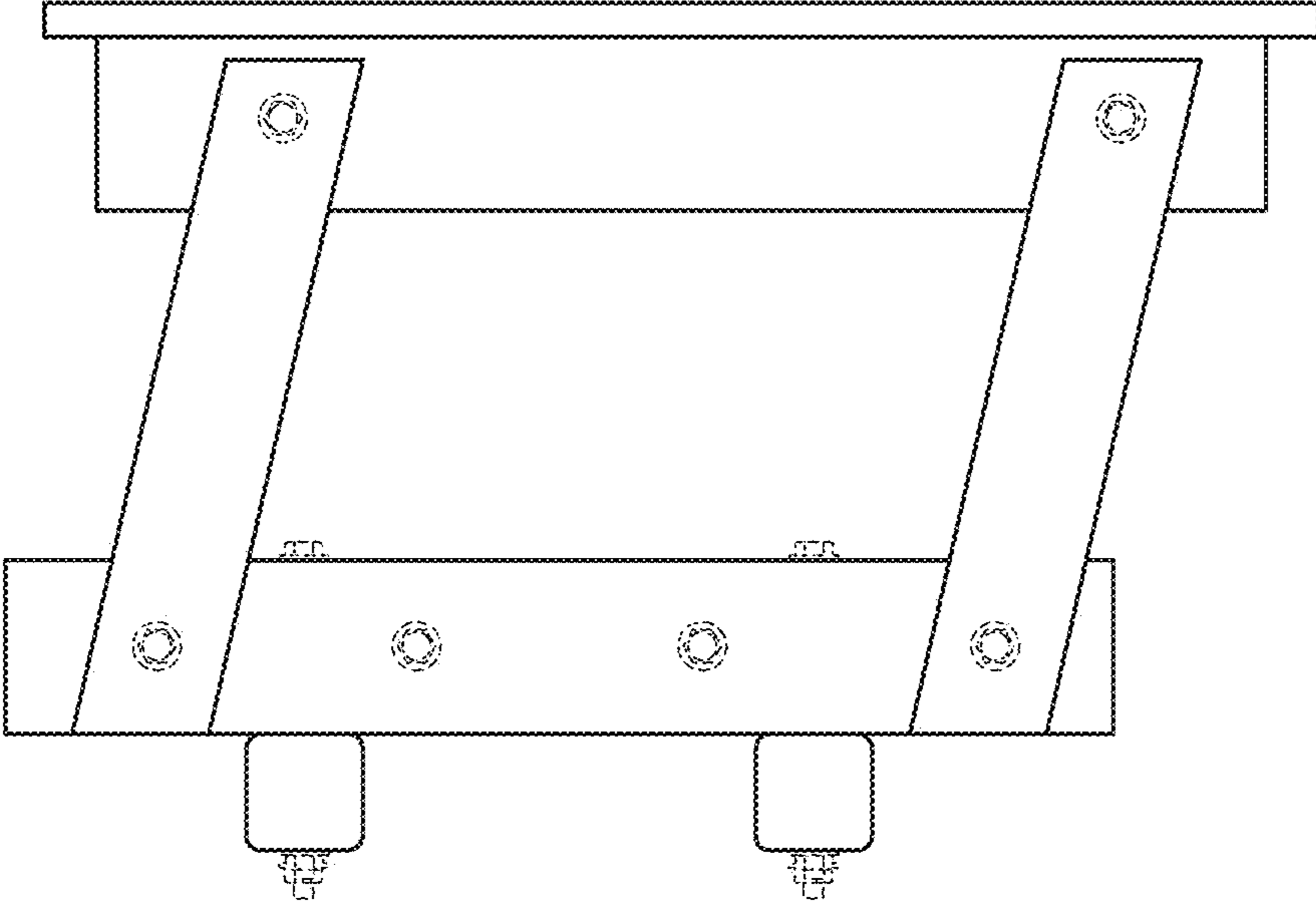


FIG. 6

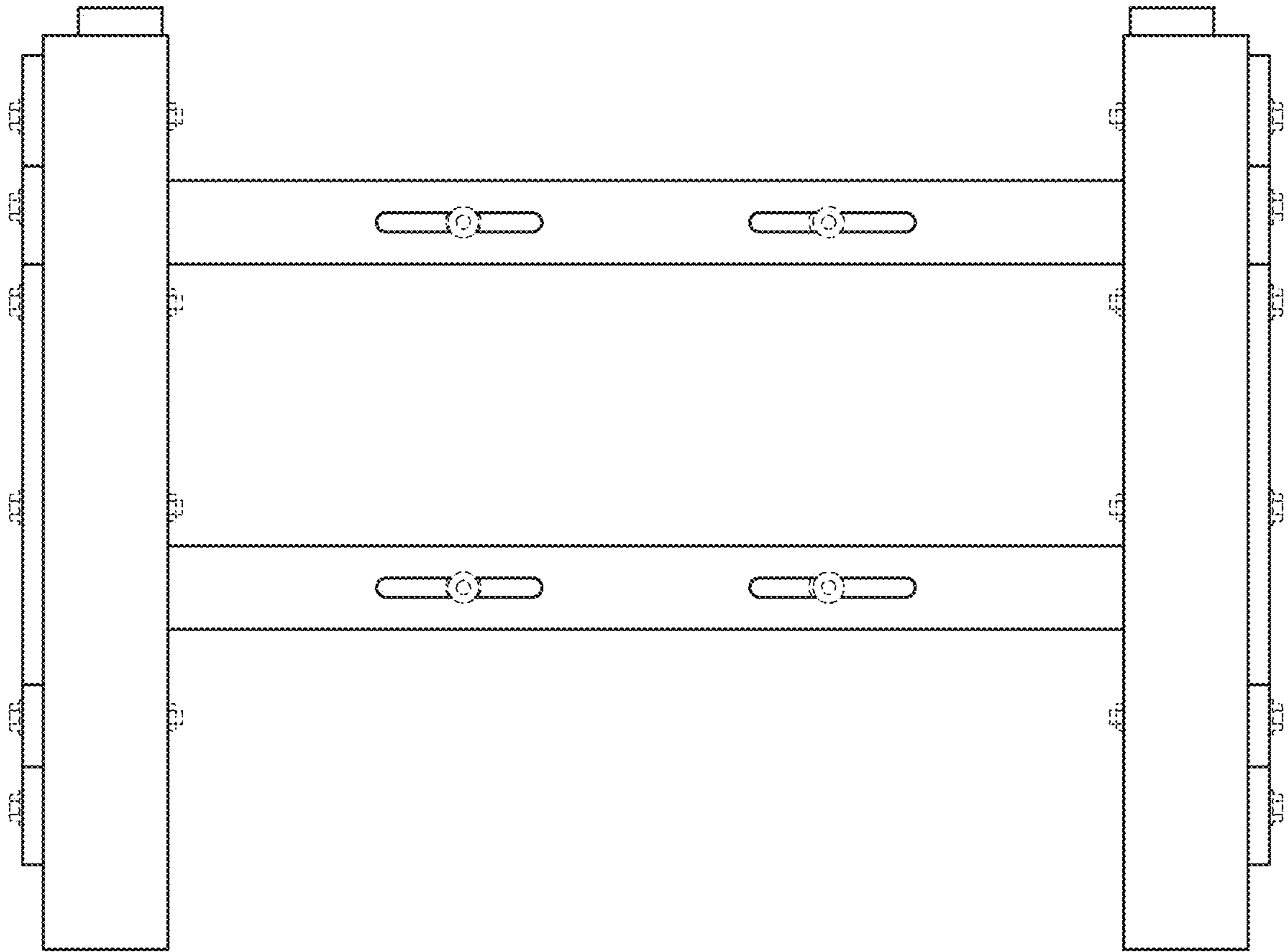


FIG. 7

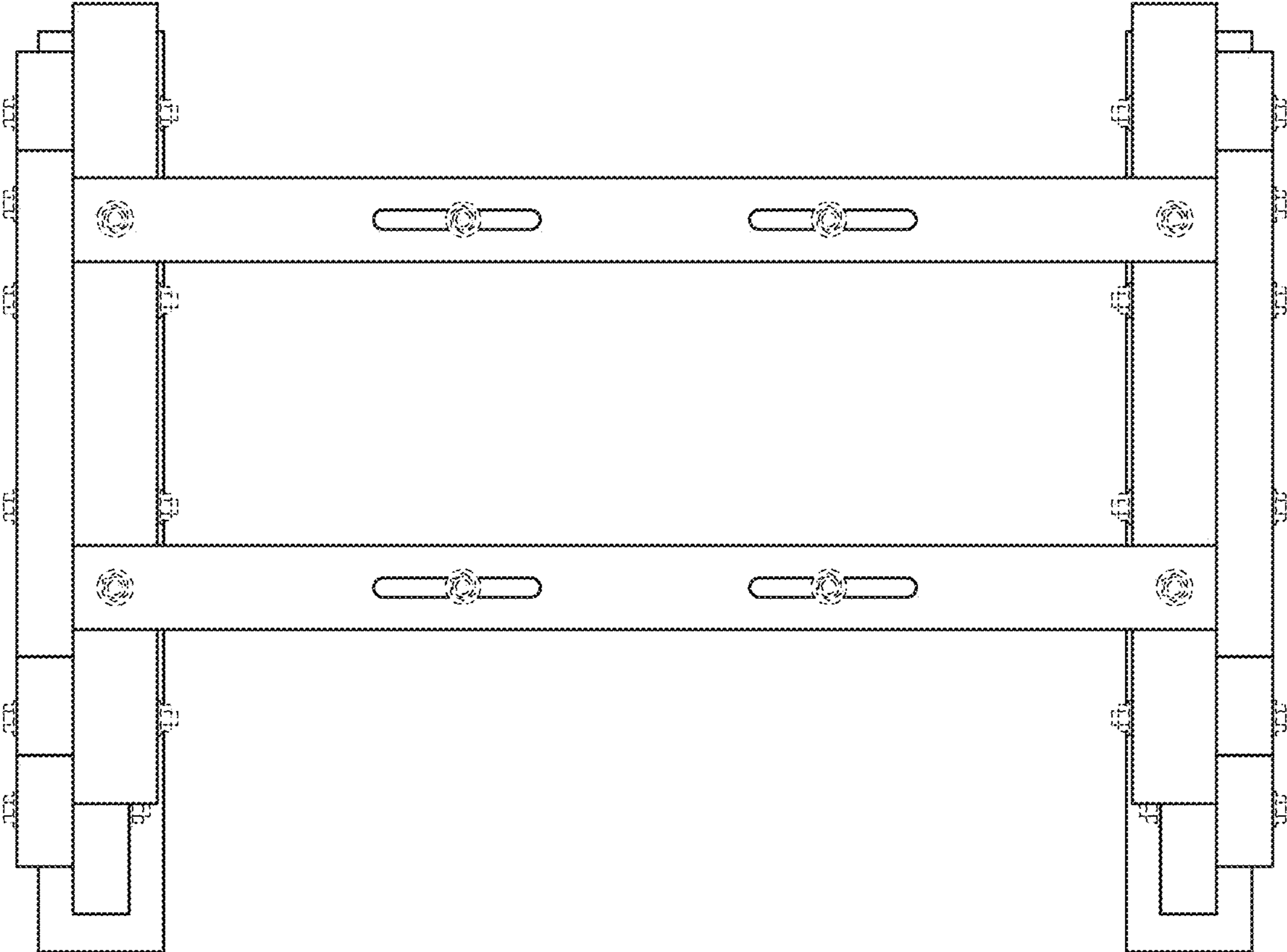


FIG. 8

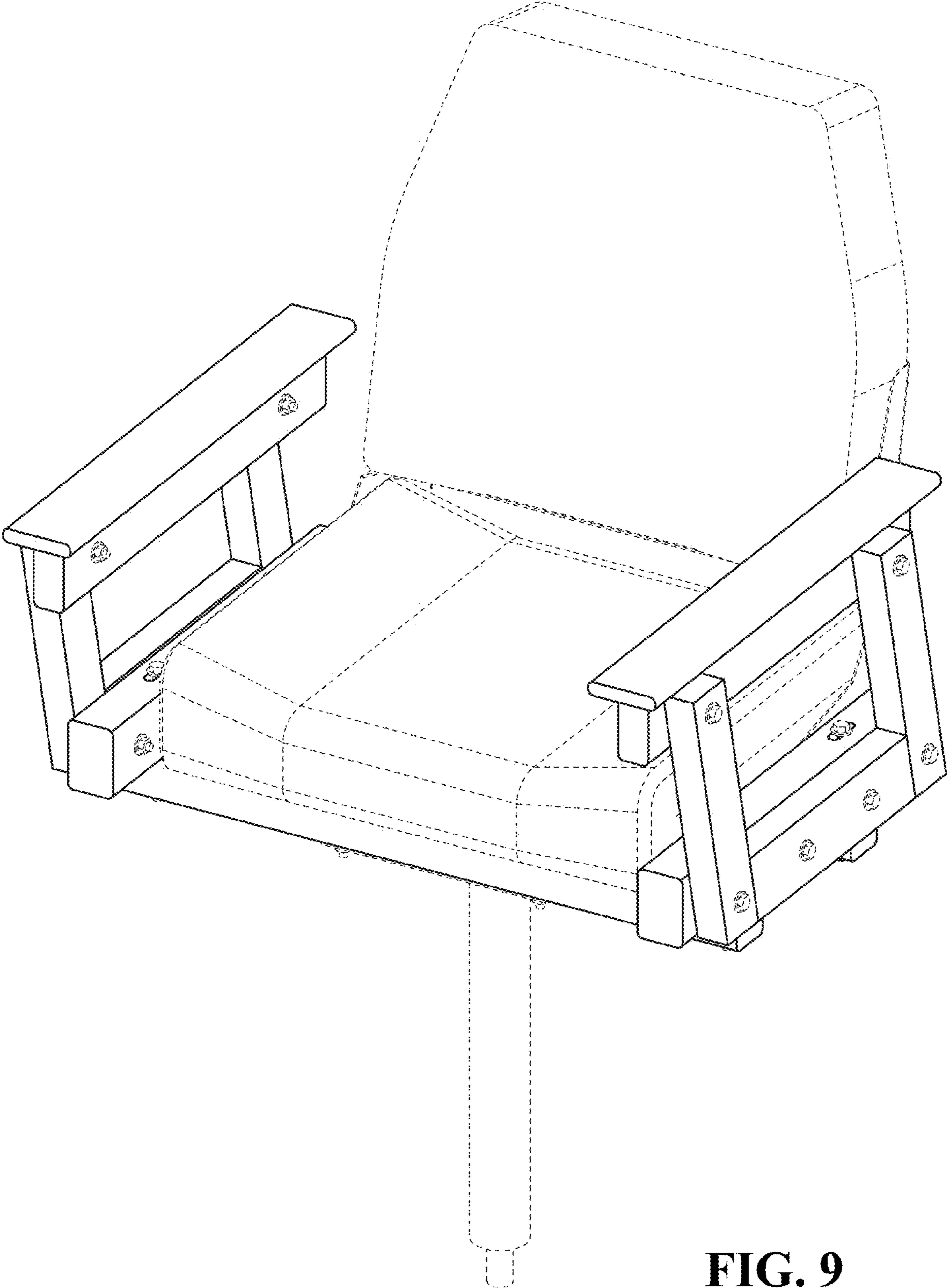


FIG. 9

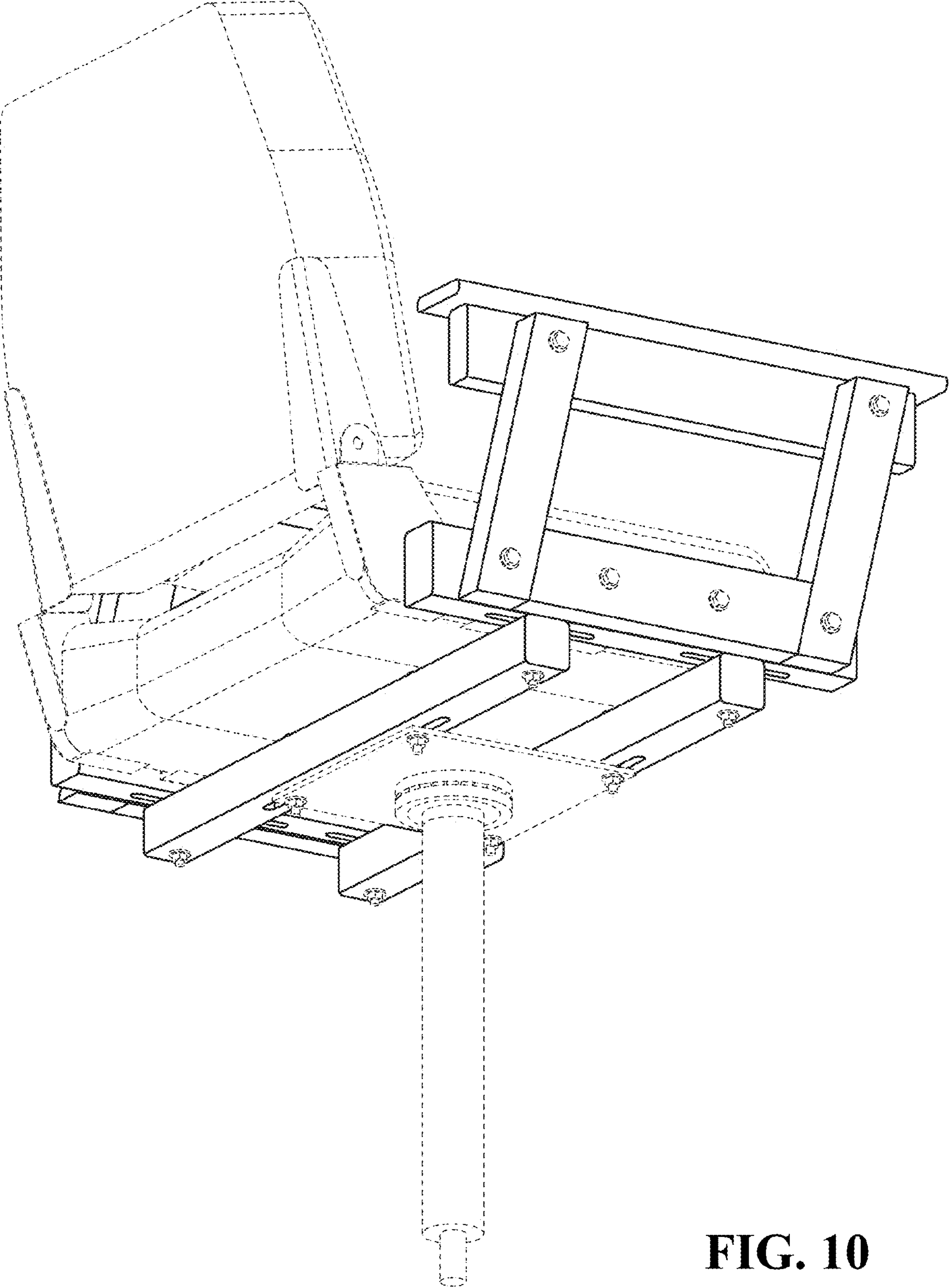


FIG. 10