



US00D978590S

(12) **United States Design Patent** (10) **Patent No.:** **US D978,590 S**  
**Battaglia et al.** (45) **Date of Patent:** **\*\* Feb. 21, 2023**

(54) **VEHICLE SEAT WITH A DISPLAY SCREEN**

(71) Applicant: **Zoox, Inc.**, Foster City, CA (US)  
(72) Inventors: **Nahuel Elias Battaglia**, Stanford, CA (US); **Christl Cleblad-Earl**, Oxfordshire (GB); **Herman Francisco Delos Santos**, Redwood City, CA (US); **Justin Dominic Horton**, El Granada, CA (US); **Alexander Kraus**, San Mateo, CA (US); **Richard Luke Osellame**, Redwood City, CA (US); **Andrew David Rudd**, San Jose, CA (US); **Christopher John Stoffel**, San Carlos, CA (US)

(73) Assignee: **Zoox, Inc.**, Foster City, CA (US)

(\*\*) Term: **15 Years**

(21) Appl. No.: **29/729,976**

(22) Filed: **Mar. 31, 2020**

(51) **LOC (14) Cl.** ..... **06-06**

(52) **U.S. Cl.**  
USPC ..... **D6/716**

(58) **Field of Classification Search**

USPC ..... D6/334-336, 356, 364, 366, 367, 374, D6/375, 381, 716, 716.1, 716.4, 716.5, D6/308, 716.2; D10/108; D13/169; D14/341, 380, 388, 389  
CPC . B60N 2/00; B60N 2/64; B60N 2/643; B60N 2/58; B60N 2/646; B60N 2/66; B60N 2/68; B60N 2/686; B60N 2/80; B60N 2/803; B60N 2/4249; B60N 2/279; B60N 2/793; B60N 2/797; A47C 7/54; B60R 11/0235; B60R 2300/802; B64D 11/00153; B64D 11/00155

See application file for complete search history.

(56) **References Cited**

**U.S. PATENT DOCUMENTS**

D601,353 S \* 10/2009 Sadler ..... D6/308  
D622,988 S \* 9/2010 Alford ..... D6/716.2  
D635,784 S \* 4/2011 Li ..... D6/308

(Continued)

**OTHER PUBLICATIONS**

Japanese Office Action dated Mar. 12, 2021 for Japanese Patent Application No. 2020-020705, a counterpart foreign application of U.S. Appl. No. 29/729,976, 3 pages.

(Continued)

*Primary Examiner* — Mimoso De

(74) *Attorney, Agent, or Firm* — Lee & Hayes, P.C.

(57) **CLAIM**

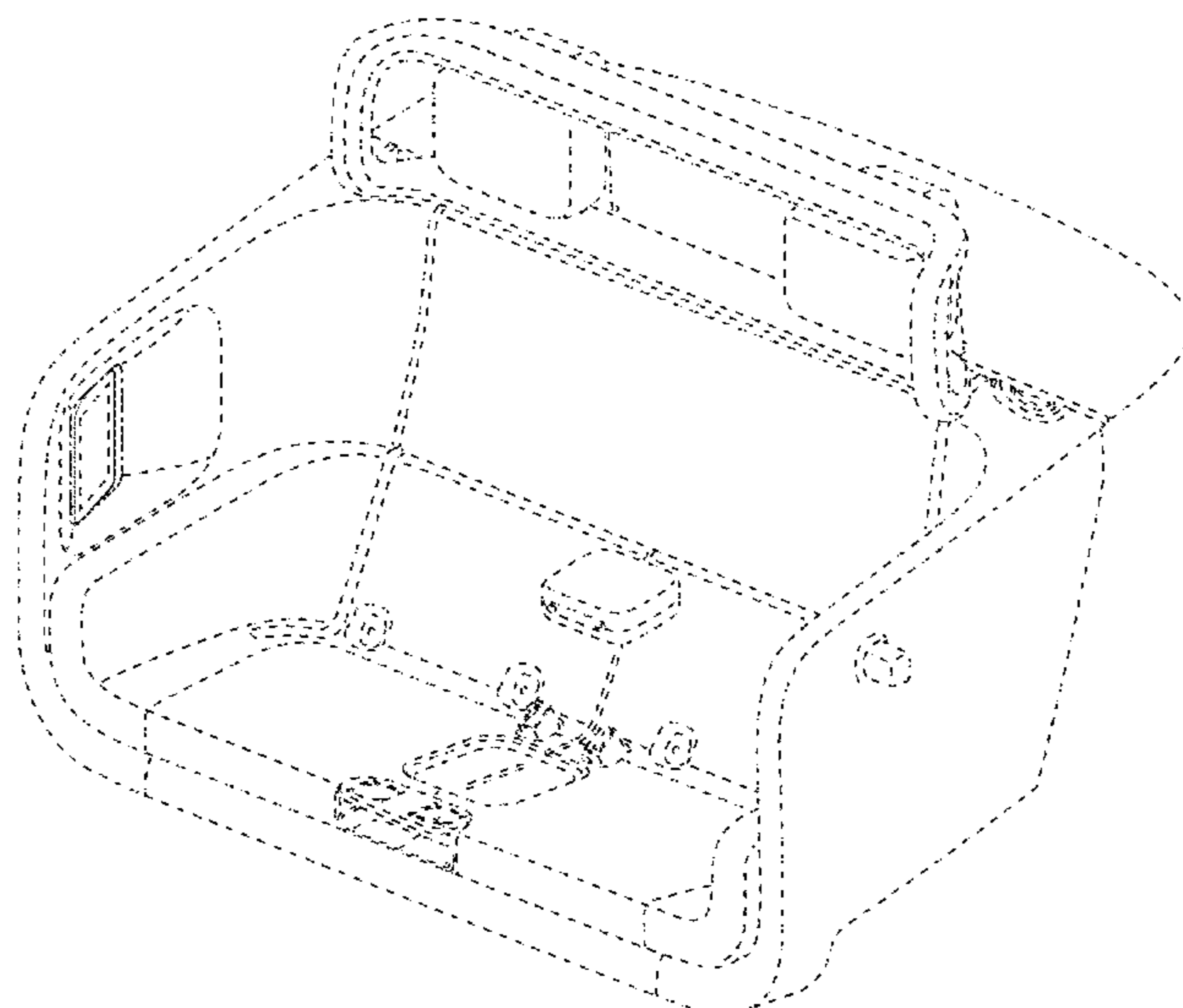
The ornamental design for a vehicle seat with a display screen, as shown and described.

**DESCRIPTION**

FIG. 1 is a top, front, right-side perspective view of a vehicle seat with a display;  
FIG. 2 is a top, front, left-side perspective view thereof;  
FIG. 3 is a bottom, front, right-side perspective view thereof;  
FIG. 4 is a front view thereof;  
FIG. 5 is a back view thereof;  
FIG. 6 is a right-side view thereof;  
FIG. 7 is a left-side view thereof;  
FIG. 8 is a top view thereof;  
FIG. 9 is a bottom view thereof;  
FIG. 10 is an enlarged view of the area circled in FIG. 3; and,  
FIG. 11 is a plan view of the enlarged view of FIG. 10 showing the claimed features of the display screen.

The dashed broken lines depict portions of the vehicle seat with a display screen that form no part of the claimed design. The dot-dashed broken lines represent boundaries of the claimed vehicle seat with a display screen and form no part of the claimed design.

**1 Claim, 11 Drawing Sheets**



(56)

**References Cited**

U.S. PATENT DOCUMENTS

D661,116 S \* 6/2012 Darbyshire ..... D6/356  
D684,969 S \* 6/2013 Smith ..... D14/341  
D696,662 S \* 12/2013 Song ..... D14/341  
D757,821 S \* 5/2016 Leopardi ..... D14/341  
D795,248 S \* 8/2017 Satzger ..... D14/341  
D856,322 S \* 8/2019 Huebner ..... D14/341  
D893,931 S \* 8/2020 Katakura ..... D6/716  
D908,692 S \* 1/2021 Biddle ..... D14/341  
D921,509 S \* 6/2021 Wang ..... D10/108  
D923,619 S \* 6/2021 Matsumoto ..... D14/341

OTHER PUBLICATIONS

Chinese Office Action dated Oct. 22, 2021 for Chinese Patent Application No. 202030586731.5, a foreign counterpart to U.S. Appl. No. 29/729,976, 1 page.  
Office Action for U.S. Appl. No. 29/729,976, dated Jul. 28, 2022, Battaglia, "Vehicle Seat With a Display Screen", 12 pages.

\* cited by examiner

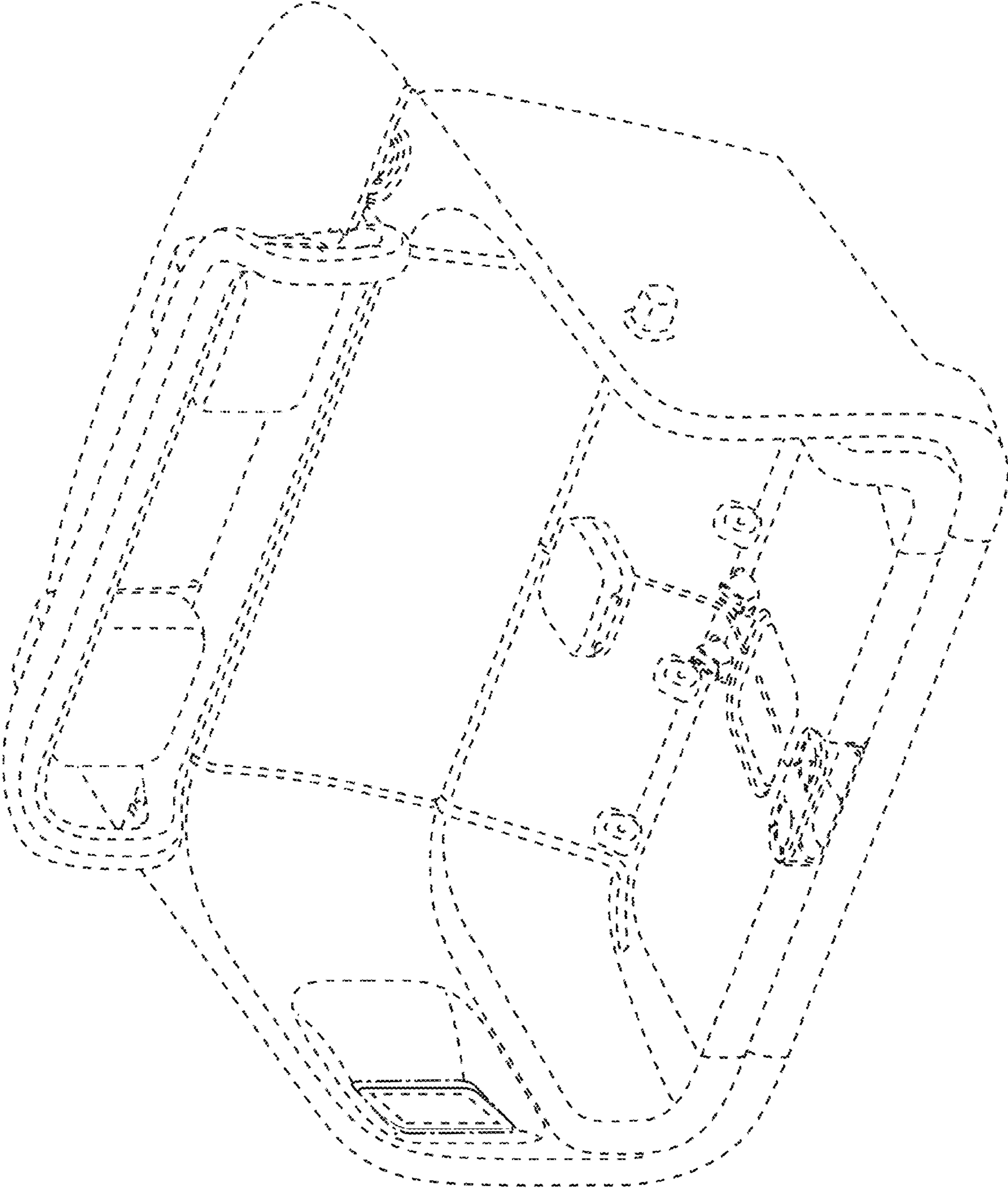


FIG. 1

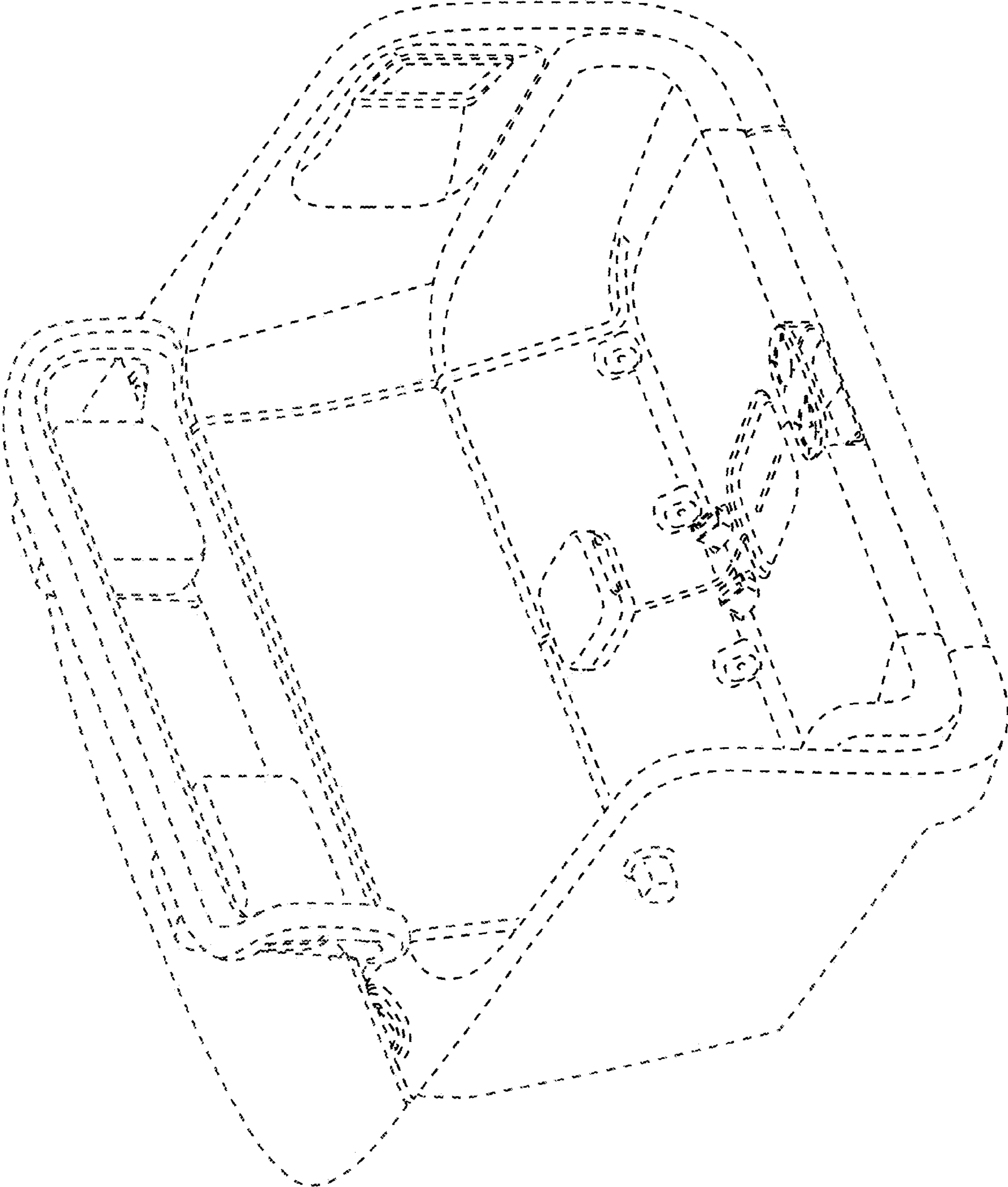


FIG. 2



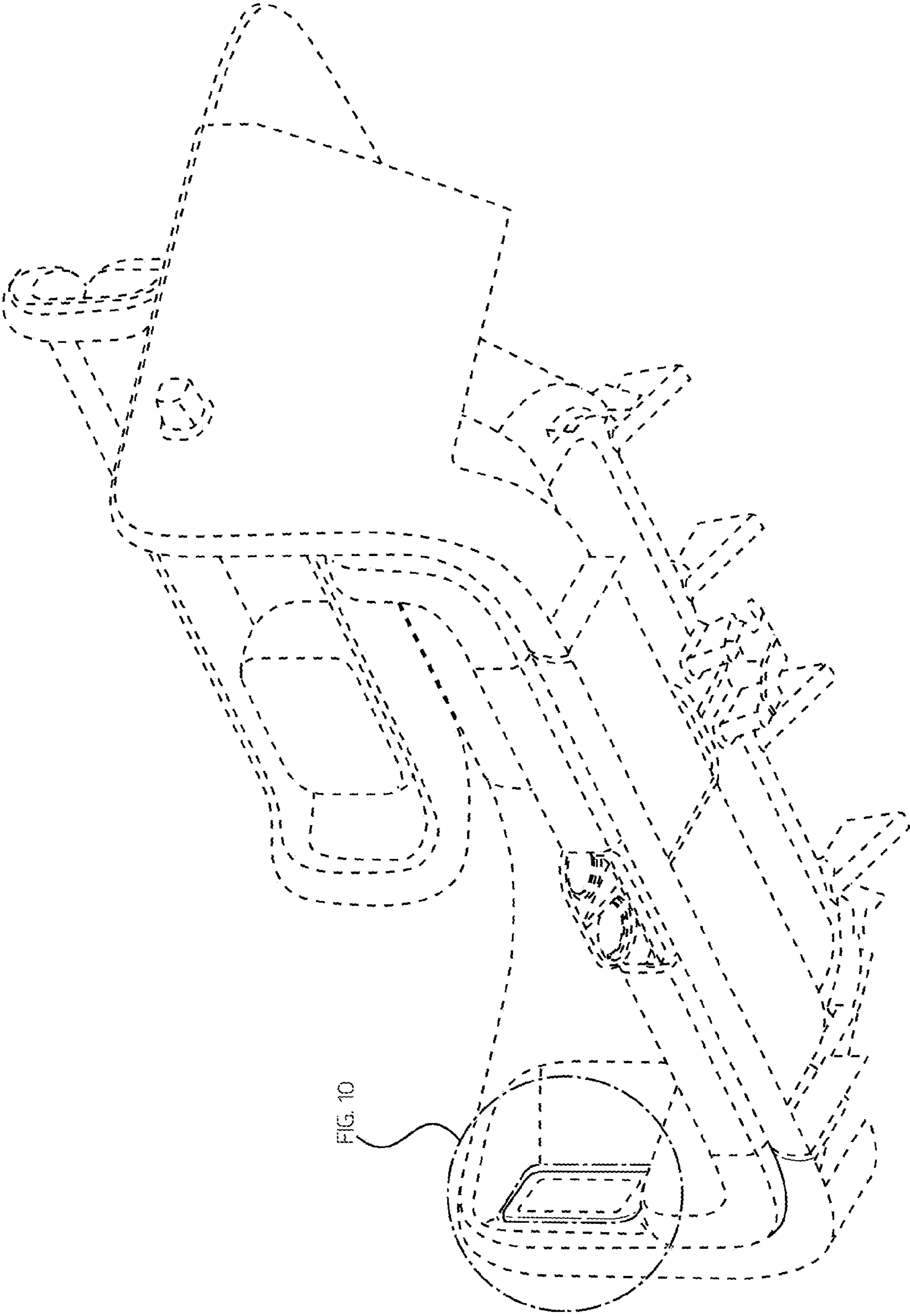


FIG. 10

FIG. 3

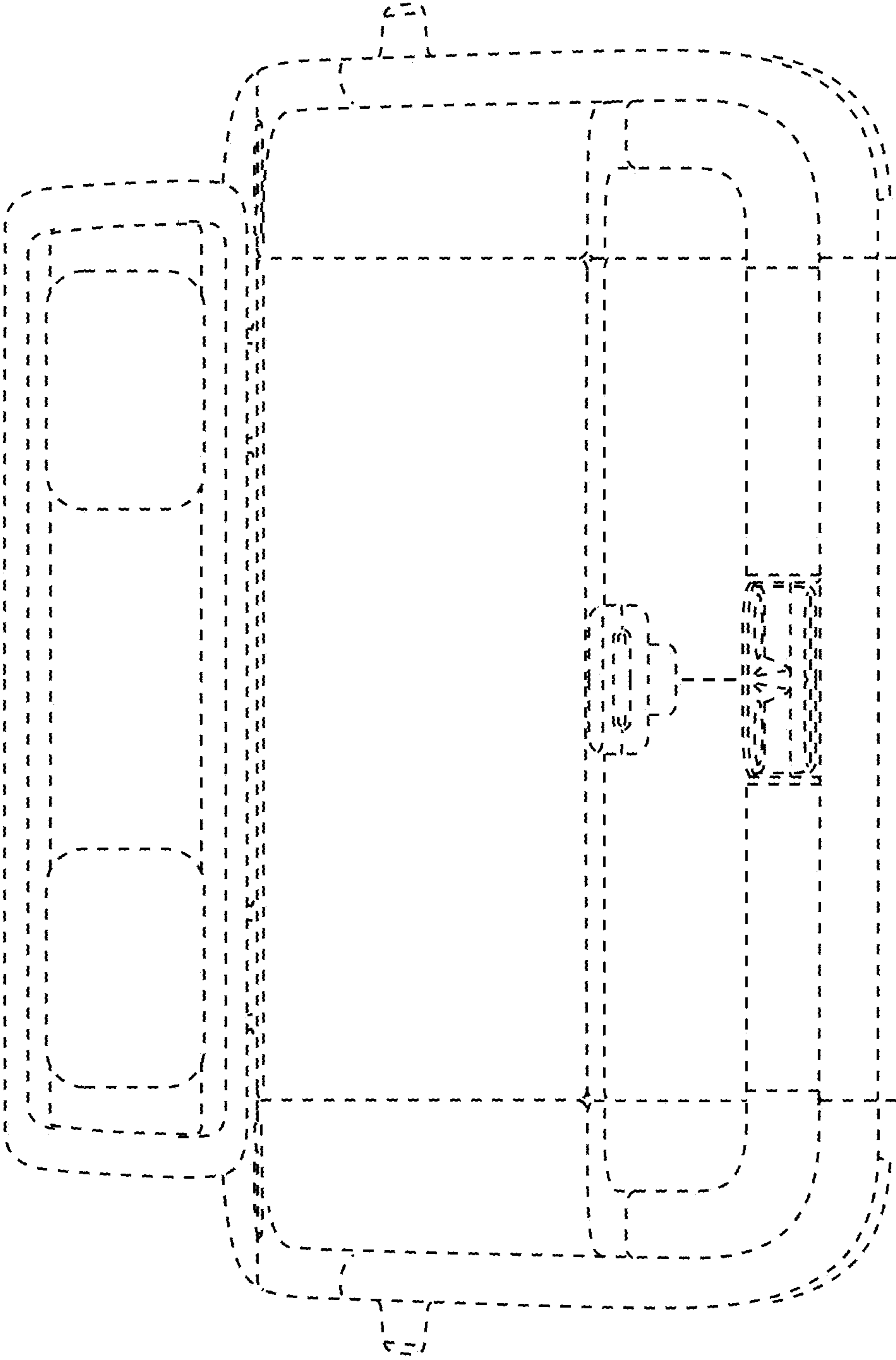


FIG. 4

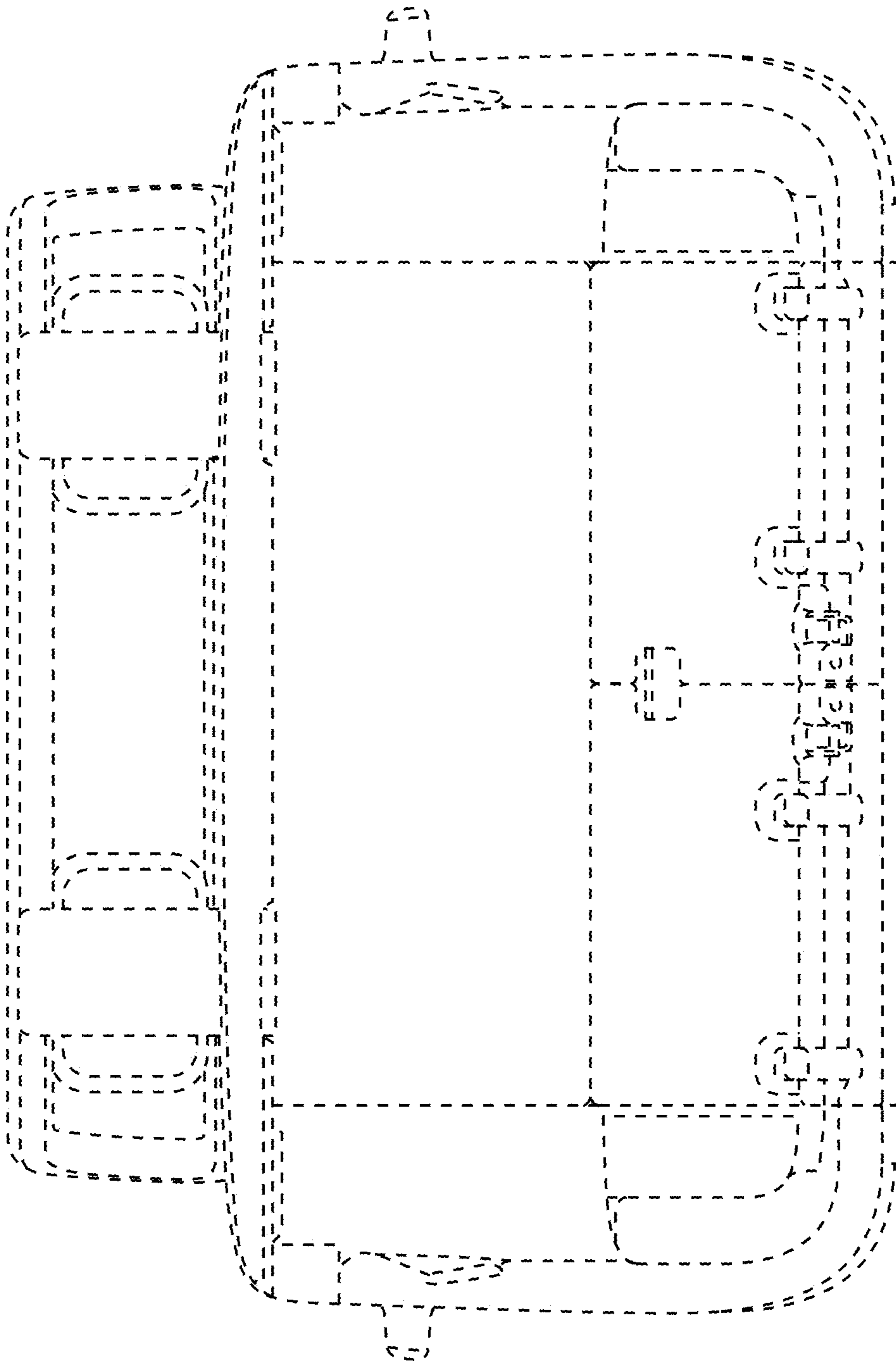


FIG. 5

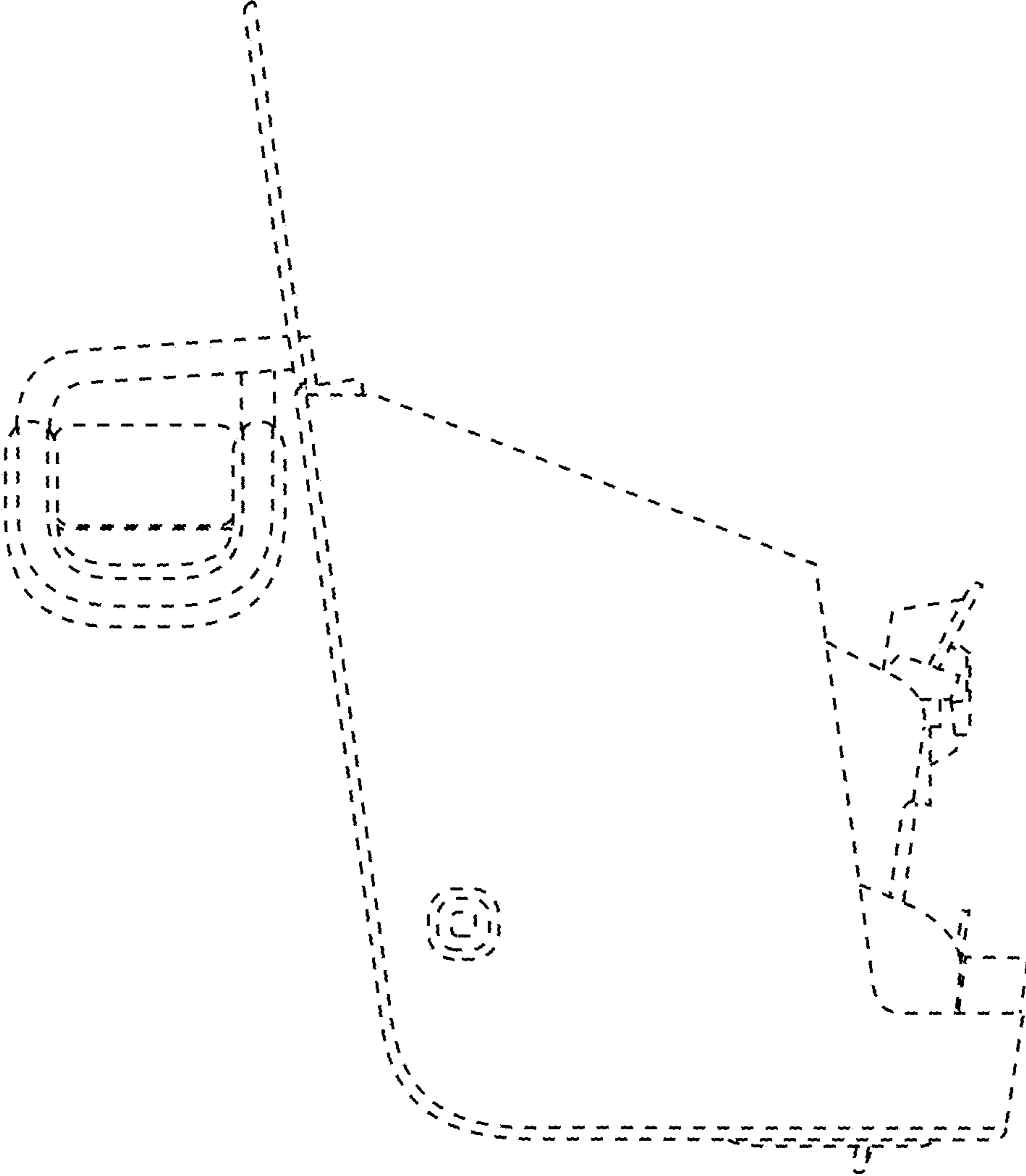


FIG. 6



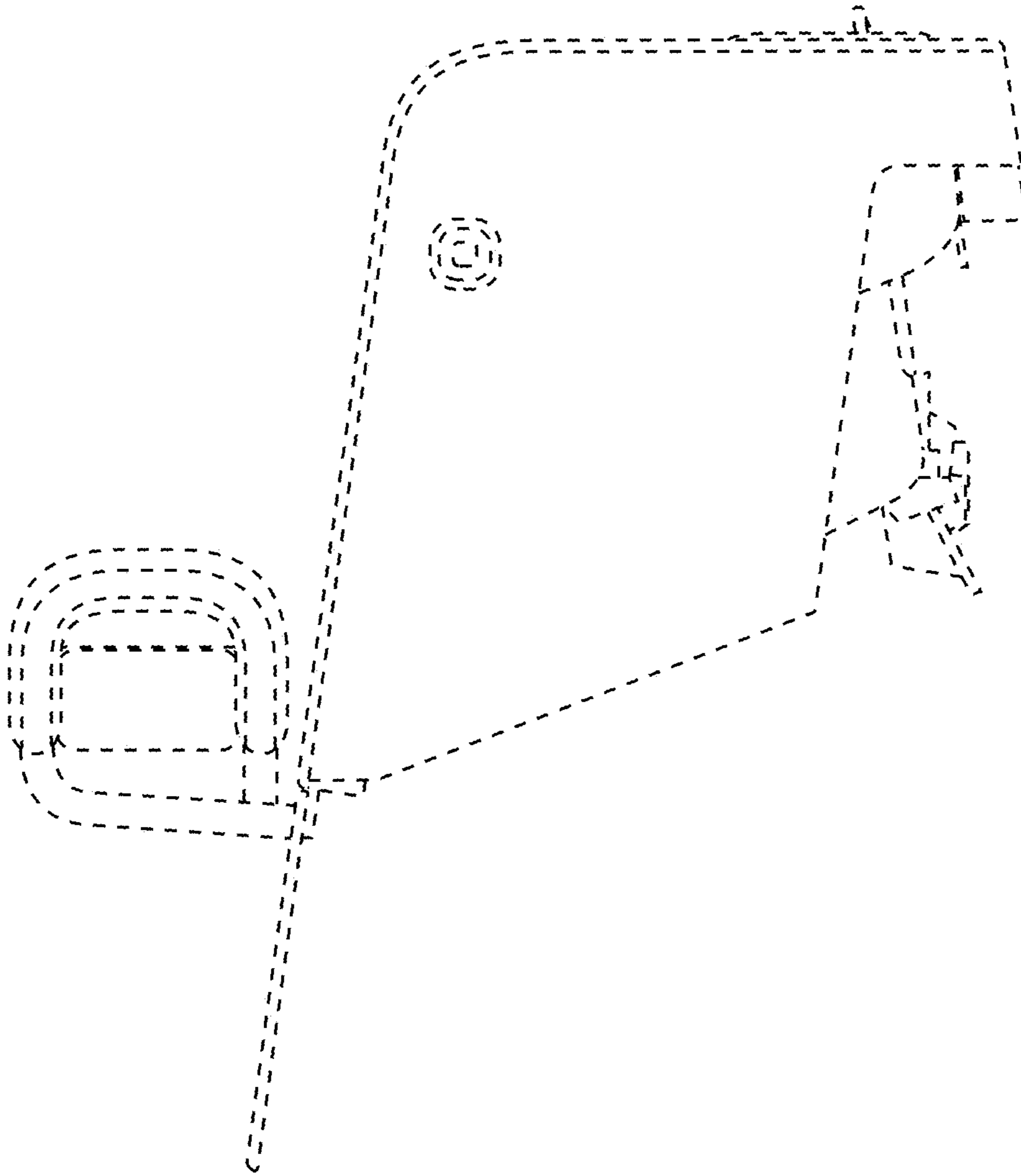


FIG. 7

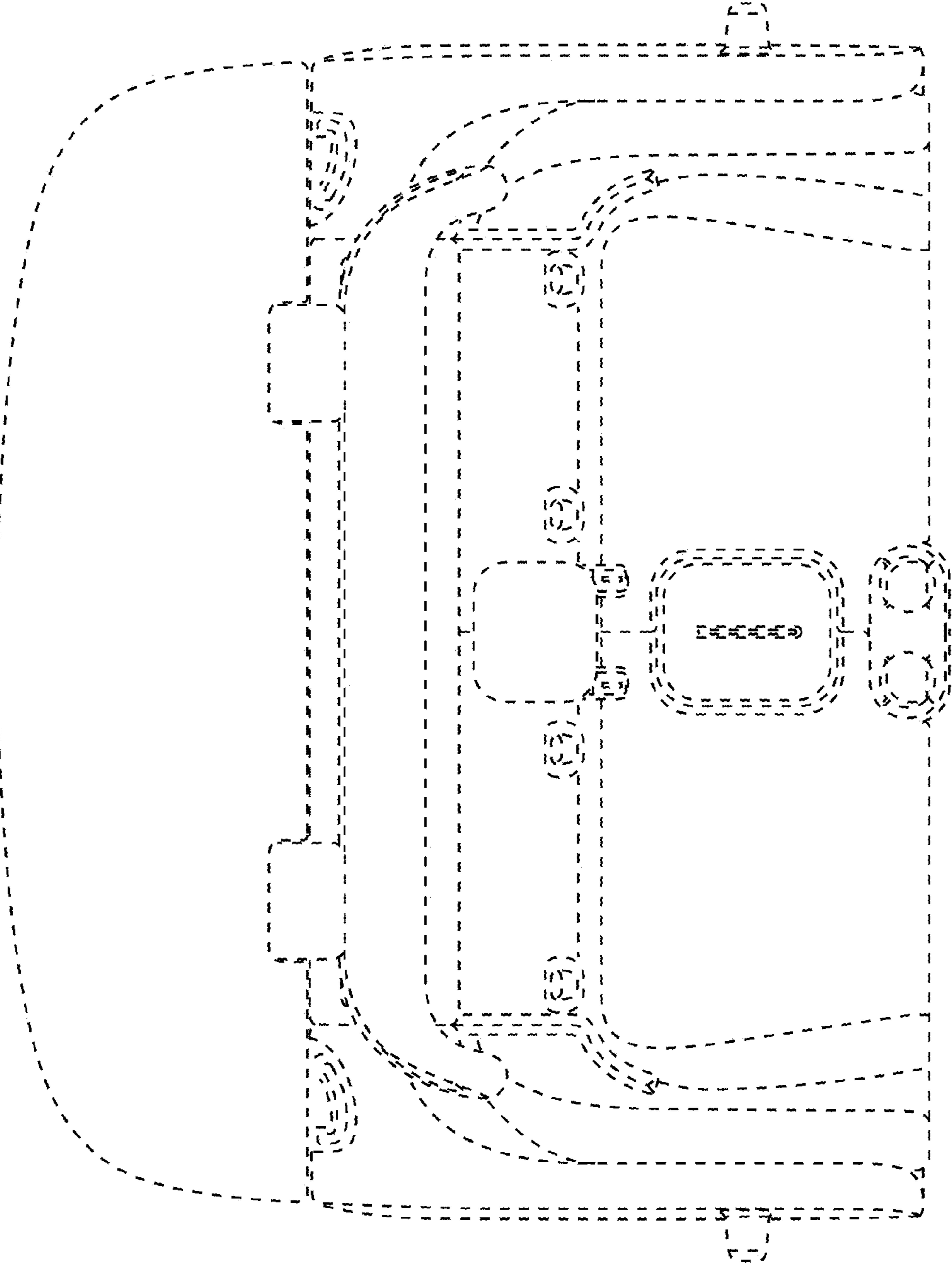


FIG. 8

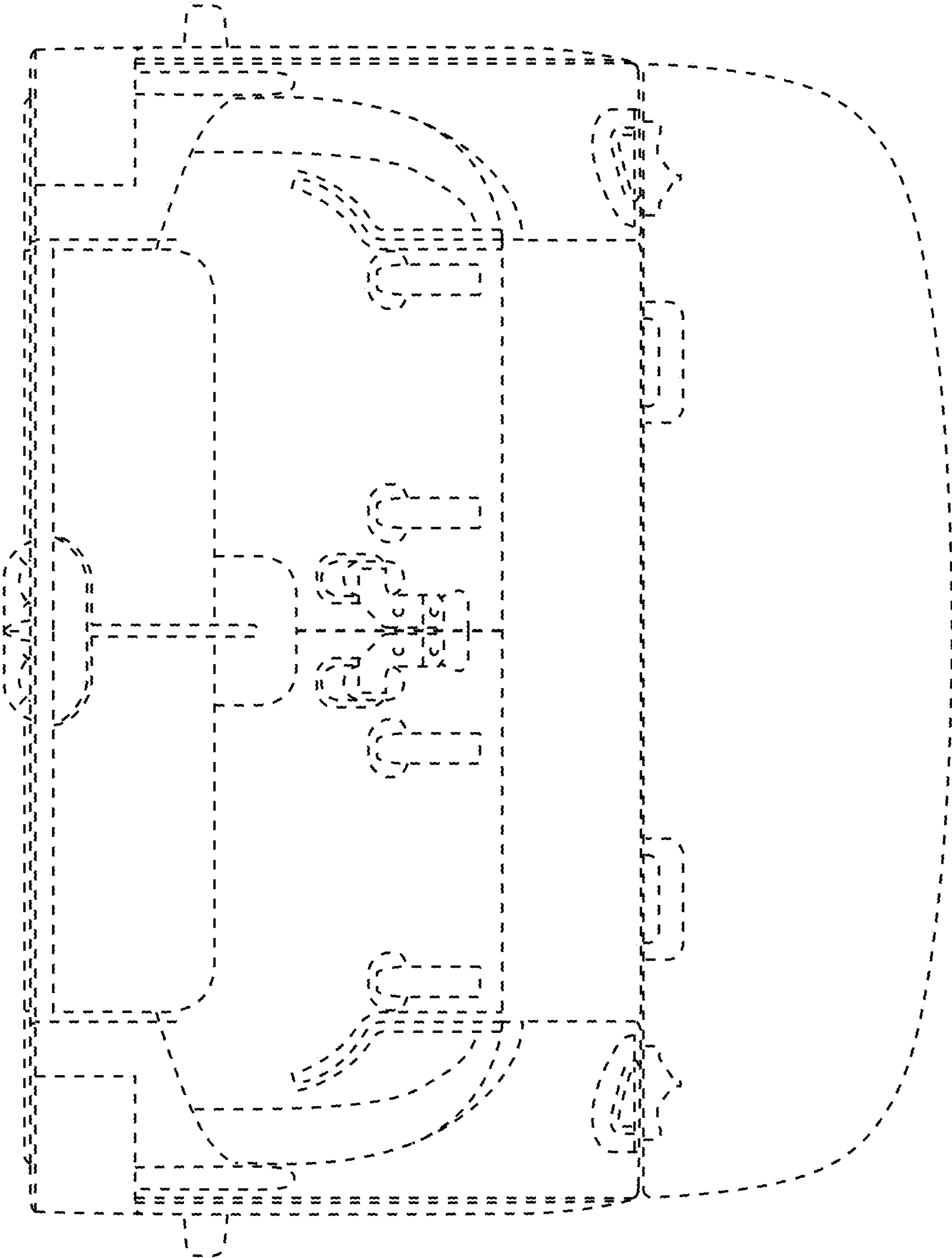


FIG. 9

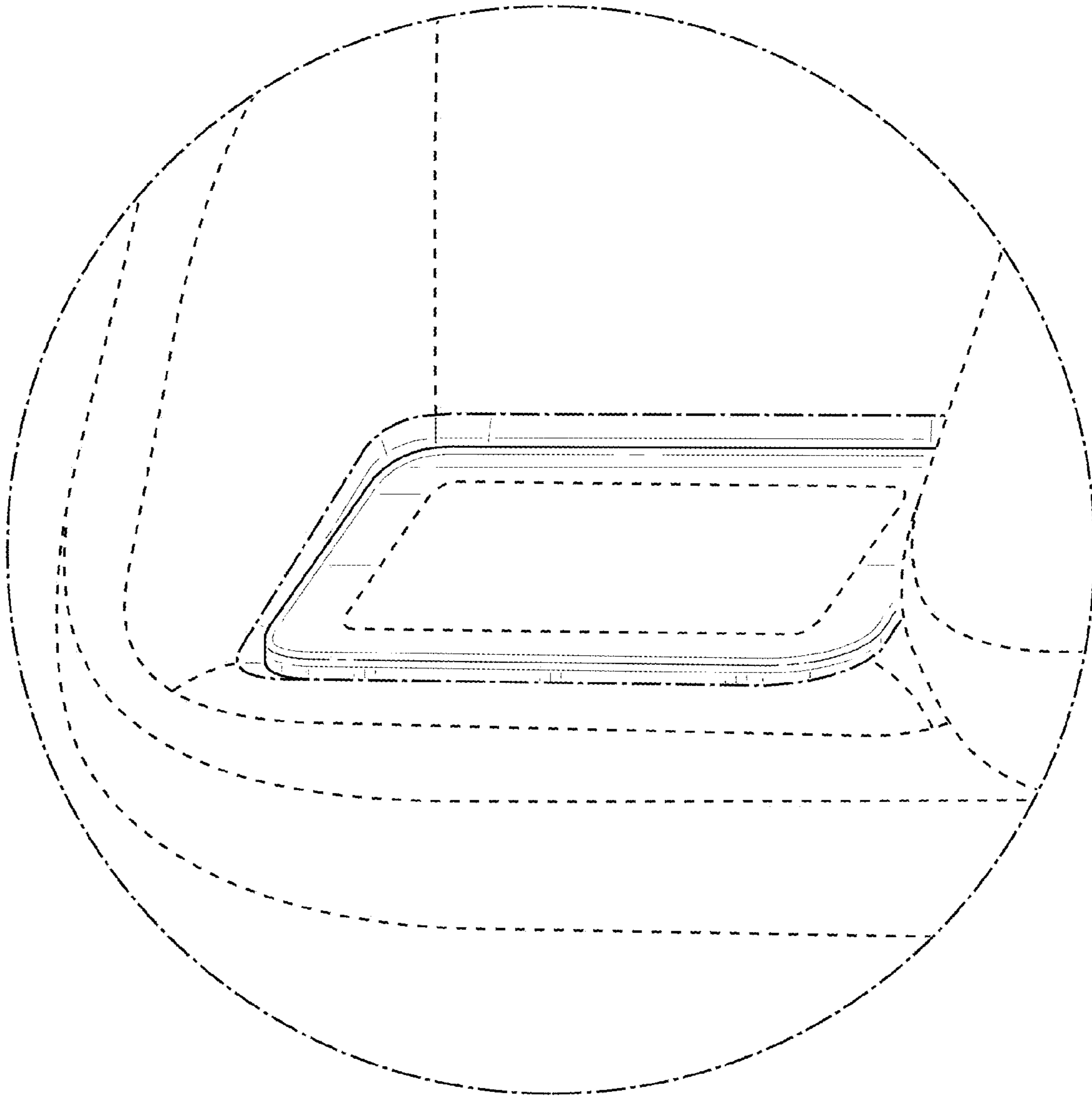


FIG. 10

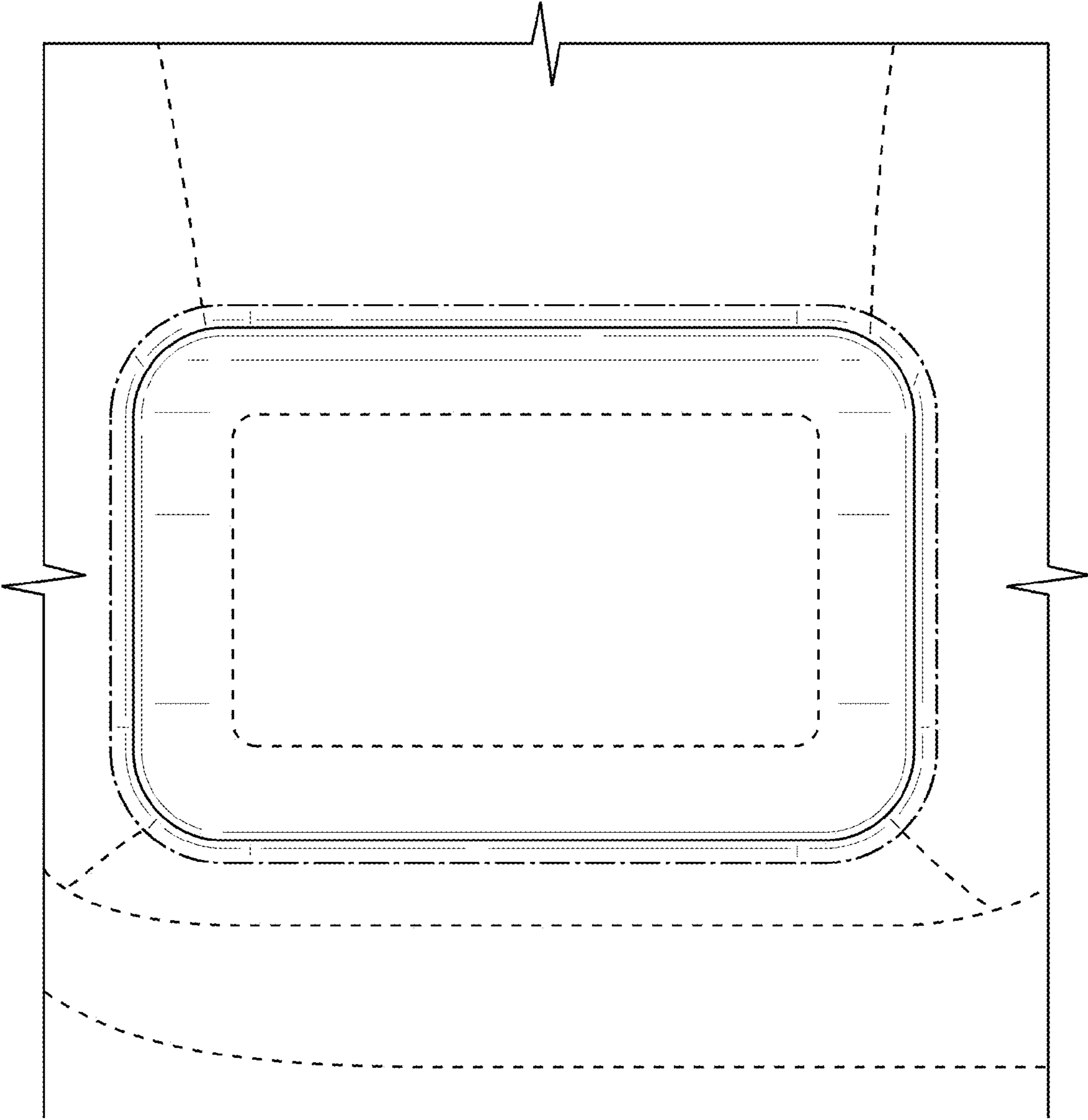


FIG. 11