



US00D978589S

(12) **United States Design Patent** (10) **Patent No.:** **US D978,589 S**
Lah (45) **Date of Patent:** **** Feb. 21, 2023**

(54) **FOLDABLE CHAIR FRAME**
(71) Applicant: **JKL CORPORATION**, Seoul (KR)
(72) Inventor: **Jeh Kun Lah**, Seoul (KR)
(**) Term: **15 Years**
(21) Appl. No.: **35/513,611**

D833,768 S * 11/2018 Jin D6/368
D887,191 S * 6/2020 Kim D6/708.16
D891,808 S * 8/2020 Zhu D6/376
D897,712 S * 10/2020 Hu D6/368
D923,956 S * 7/2021 Xia D6/368
D937,619 S * 12/2021 Kim D6/708.16
11,350,755 B2 * 6/2022 Hu A47C 4/283
2012/0104805 A1 * 5/2012 Lah A47C 9/105
297/16.1

(22) Filed: **Jan. 6, 2022**
(80) **Hague Agreement Data**
Int. Filing Date: **Jan. 6, 2022**
Int. Reg. No.: **DM/218700**
Int. Reg. Date: **Jan. 6, 2022**
Int. Reg. Pub. Date: **Feb. 11, 2022**

(30) **Foreign Application Priority Data**
Jul. 8, 2021 (KR) 30-2021-0032499

(51) **LOC (14) Cl.** **06-06**
(52) **U.S. Cl.**
USPC **D6/708.16**

(58) **Field of Classification Search**
USPC D6/334-336, 368, 373, 374, 375, 376,
D6/379, 380, 716, 716.1, 716.2, 716.3,
D6/716.4, 708.16, 709.2
CPC A47C 1/14; A47C 4/00; A47C 4/24; A47C
4/25; A47C 4/27; A47C 4/28; A47C
4/283; A47C 4/286; A47C 4/30; A47C
4/42; A47C 4/44; A47C 4/46; A47C 4/48;
A47C 5/04; A47C 5/06; A47C 5/10;
A47C 4/18; A47C 9/10; A47C 9/105
See application file for complete search history.

(56) **References Cited**
U.S. PATENT DOCUMENTS
D771,986 S * 11/2016 Lee D6/708.16
D773,221 S * 12/2016 Lee D6/708.16

OTHER PUBLICATIONS

Sutekus Ultralight Folding Camping Backpacking Chair Camping Folding Chairs Beach Chairs (Orange). Amazon.com, Date First Available: Nov. 14, 2019, pp. 1 and 6, from https://www.amazon.com/Sutekus-Ultralight-Folding-Camping-Backpacking/dp/B081J6TPN1/ref=sr_1_7?keywords=folding%2Bchairs%2Bfor%2Bbackpacking&qid=1668536690&sr=8-7&th=1 (Year: 2019).*

* cited by examiner

Primary Examiner — Mimosa De

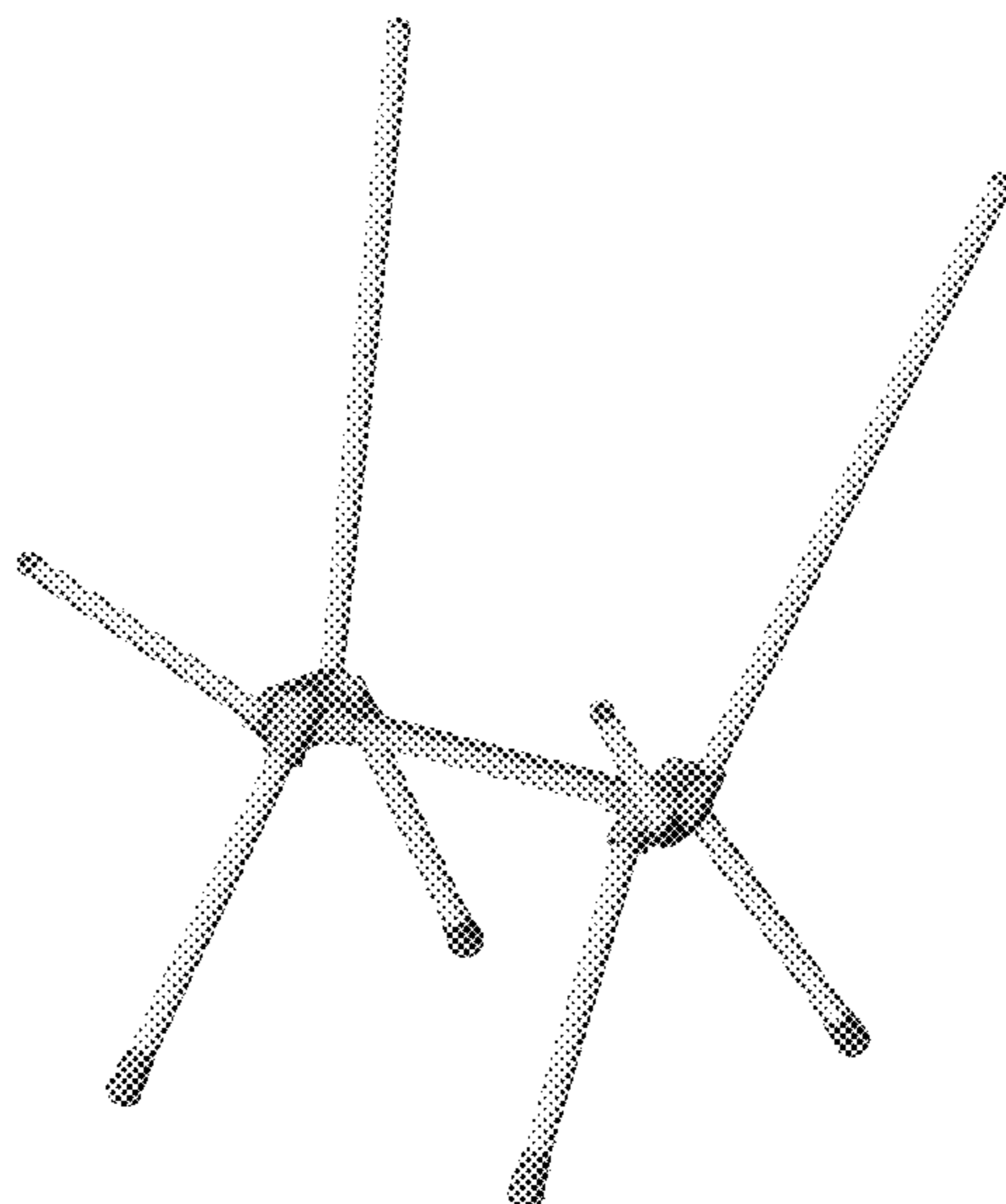
(57) **CLAIM**

The ornamental design for a foldable chair frame, as shown and described.

DESCRIPTION

- 1. Foldable chair frame
- 1.1 : Perspective
- 1.2 : Front
- 1.3 : Back
- 1.4 : Left
- 1.5 : Right
- 1.6 : Top
- 1.7 : Bottom

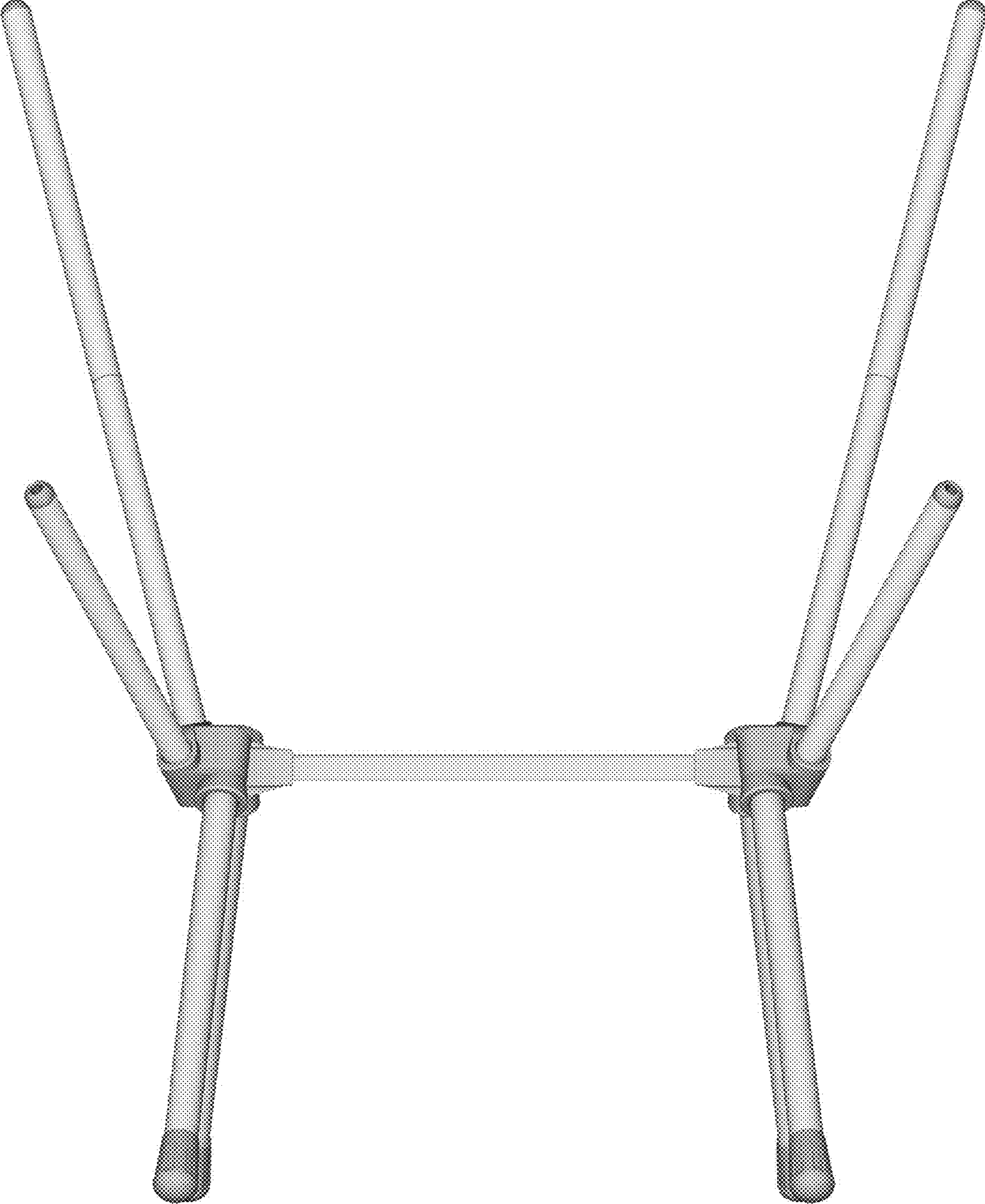
1 Claim, 7 Drawing Sheets



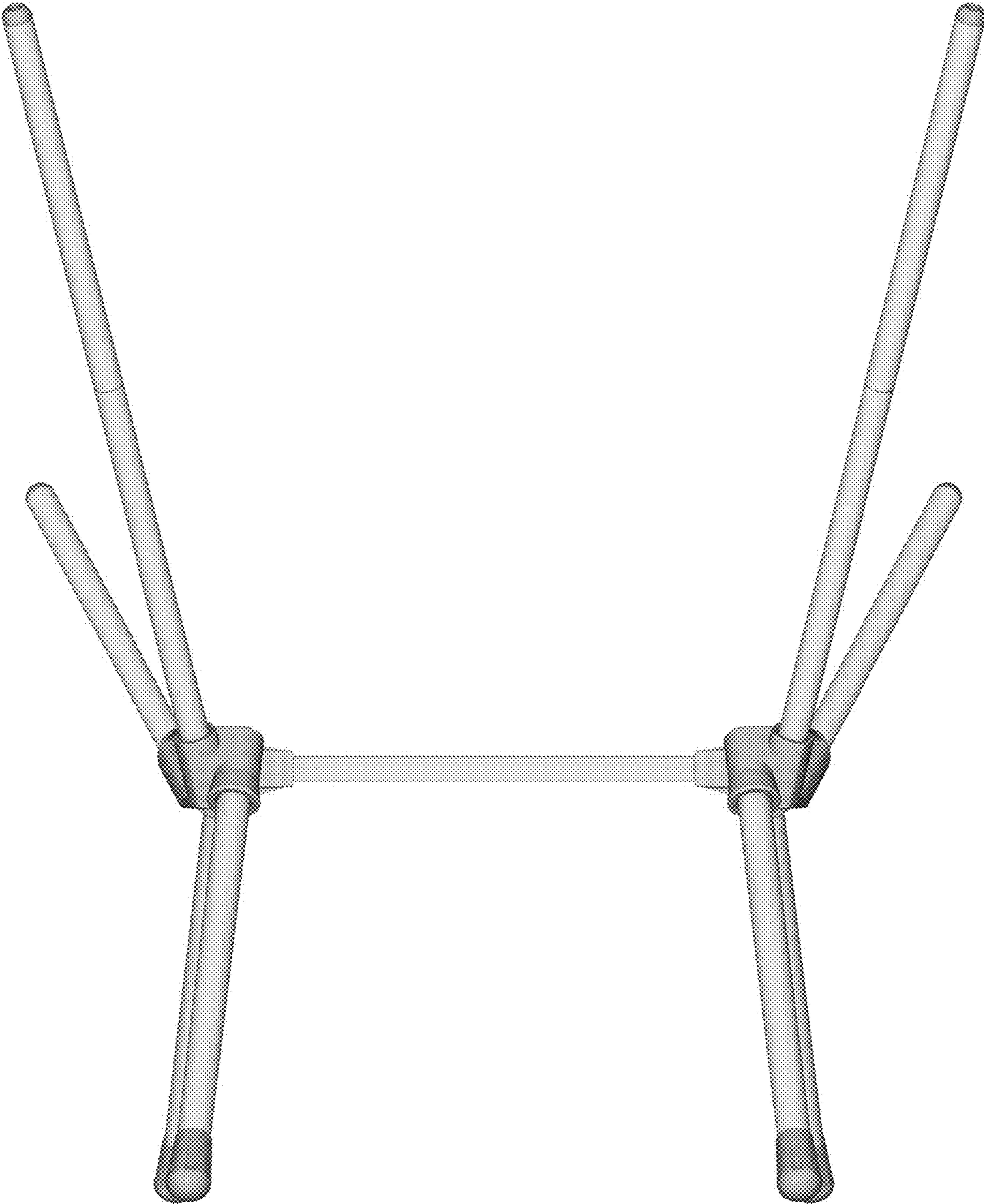
1.1



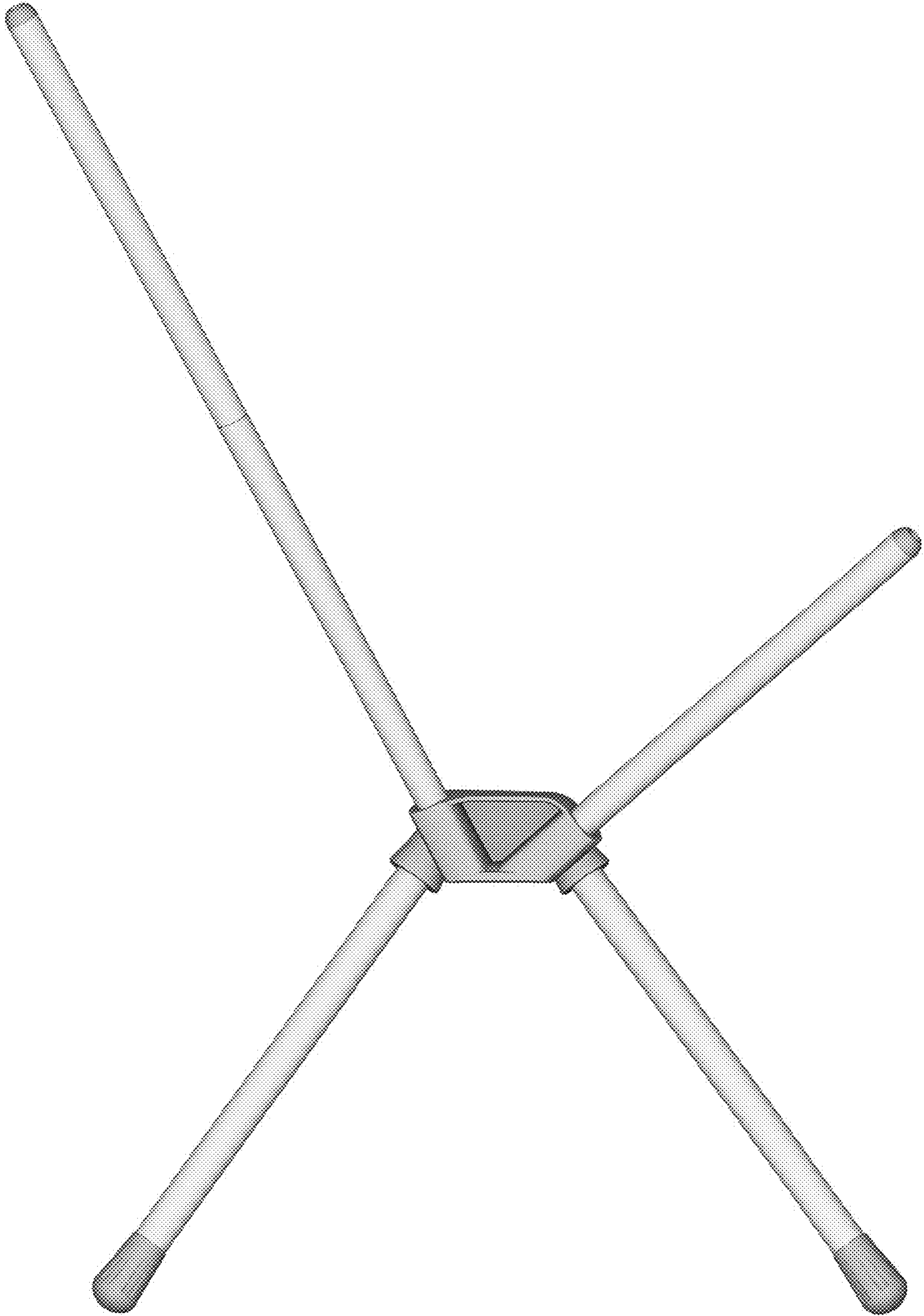
1.2



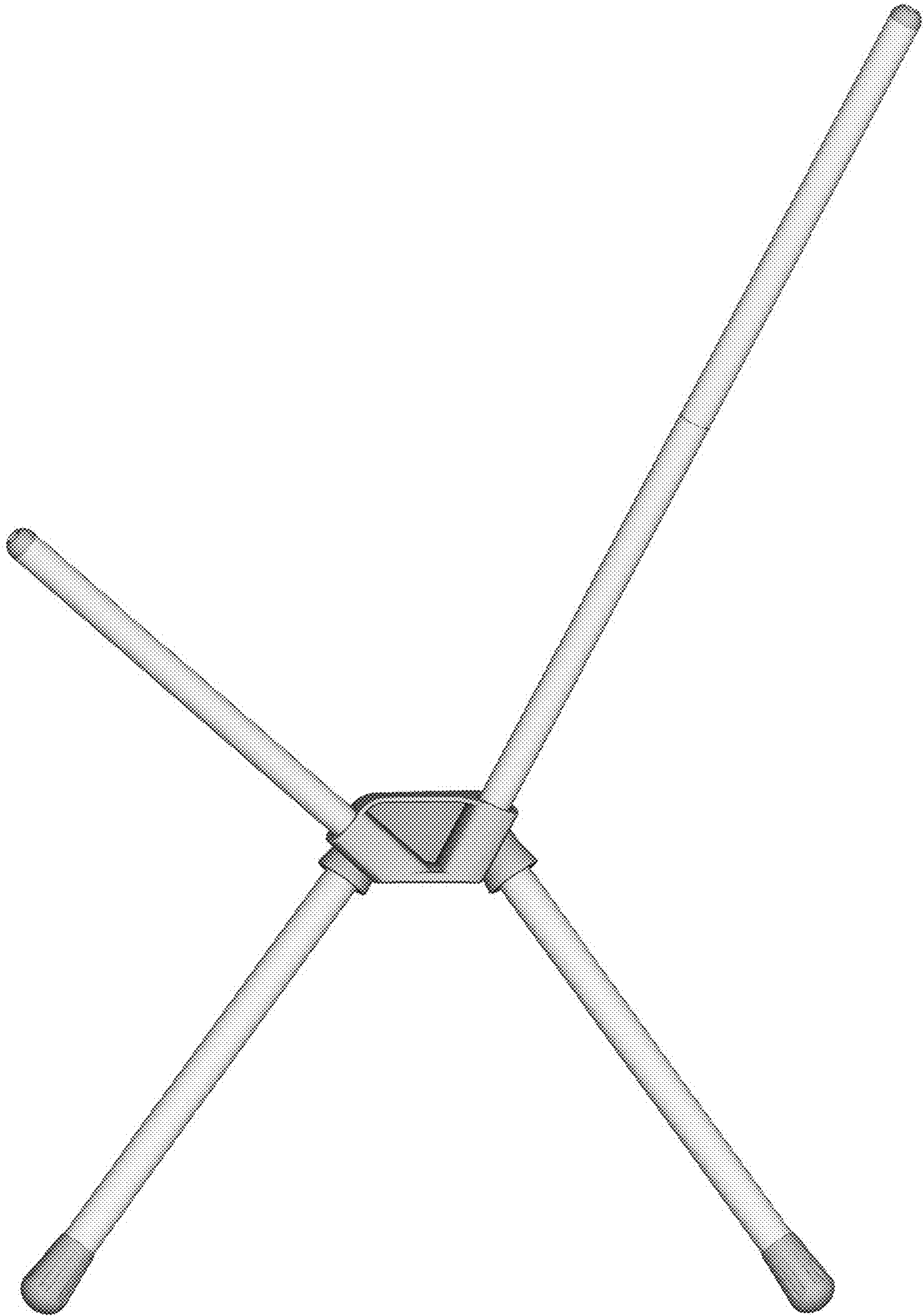
1.3



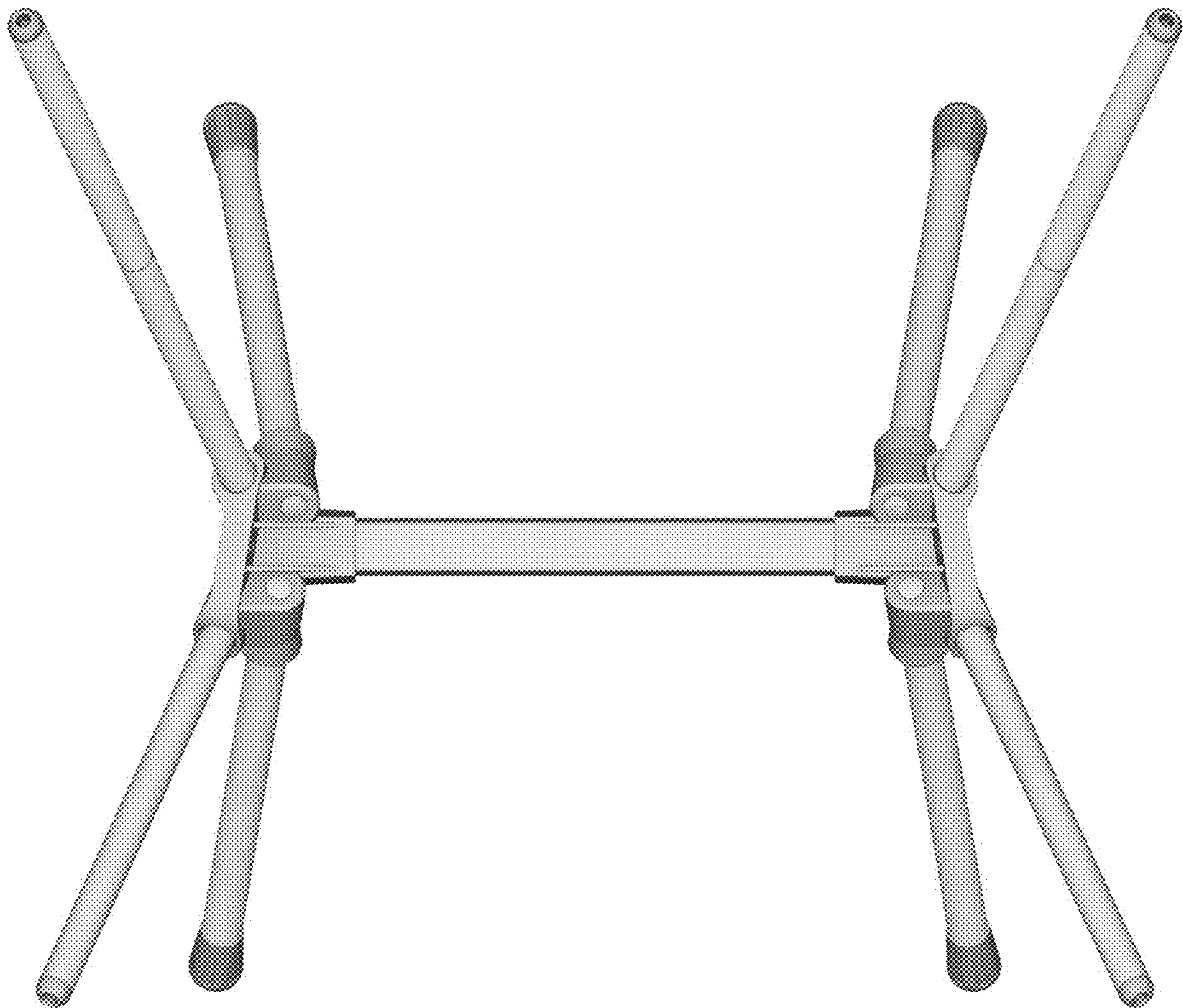
1.4



1.5



1.6



1.7

