

US00D978584S

(12) **United States Design Patent**
Zhao

(10) **Patent No.:** **US D978,584 S**

(45) **Date of Patent:** **** Feb. 21, 2023**

- (54) **SHELF**
- (71) Applicant: **Zhanlei Zhao**, Shandong (CN)
- (72) Inventor: **Zhanlei Zhao**, Shandong (CN)
- (**) Term: **15 Years**
- (21) Appl. No.: **29/767,988**
- (22) Filed: **Jan. 27, 2021**
- (51) **LOC (14) Cl.** **06-06**
- (52) **U.S. Cl.**
USPC **D6/677.1**
- (58) **Field of Classification Search**
USPC D6/672-673, 677, 677.1, 702, 705;
D7/601-602
CPC A47F 5/0018; A47F 5/0043; A47F 5/02;
A47F 5/0031; A47B 96/00; A47B 96/02
See application file for complete search history.

D249,856 S *	10/1978	Levell	D6/692.5
4,338,867 A *	7/1982	Imber	A47B 13/02 248/188.91
D296,164 S *	6/1988	Scholl	D6/680.2
D304,789 S *	11/1989	Scholl	D6/692.6
D359,407 S *	6/1995	Bubb	D6/692
D372,383 S *	8/1996	Saldana	D6/692.5
5,784,972 A *	7/1998	Emalfarb	A47G 7/041 248/150
D549,489 S *	8/2007	Kreiss	D6/677.1
10,617,239 B2 *	4/2020	Cowley	A47G 7/025
D924,581 S *	7/2021	Li	D6/692.5
D943,320 S *	2/2022	Molyneux	D6/677.1

* cited by examiner

Primary Examiner — Kelley A Donnelly

(57) **CLAIM**

The ornamental design for a shelf, as shown and described.

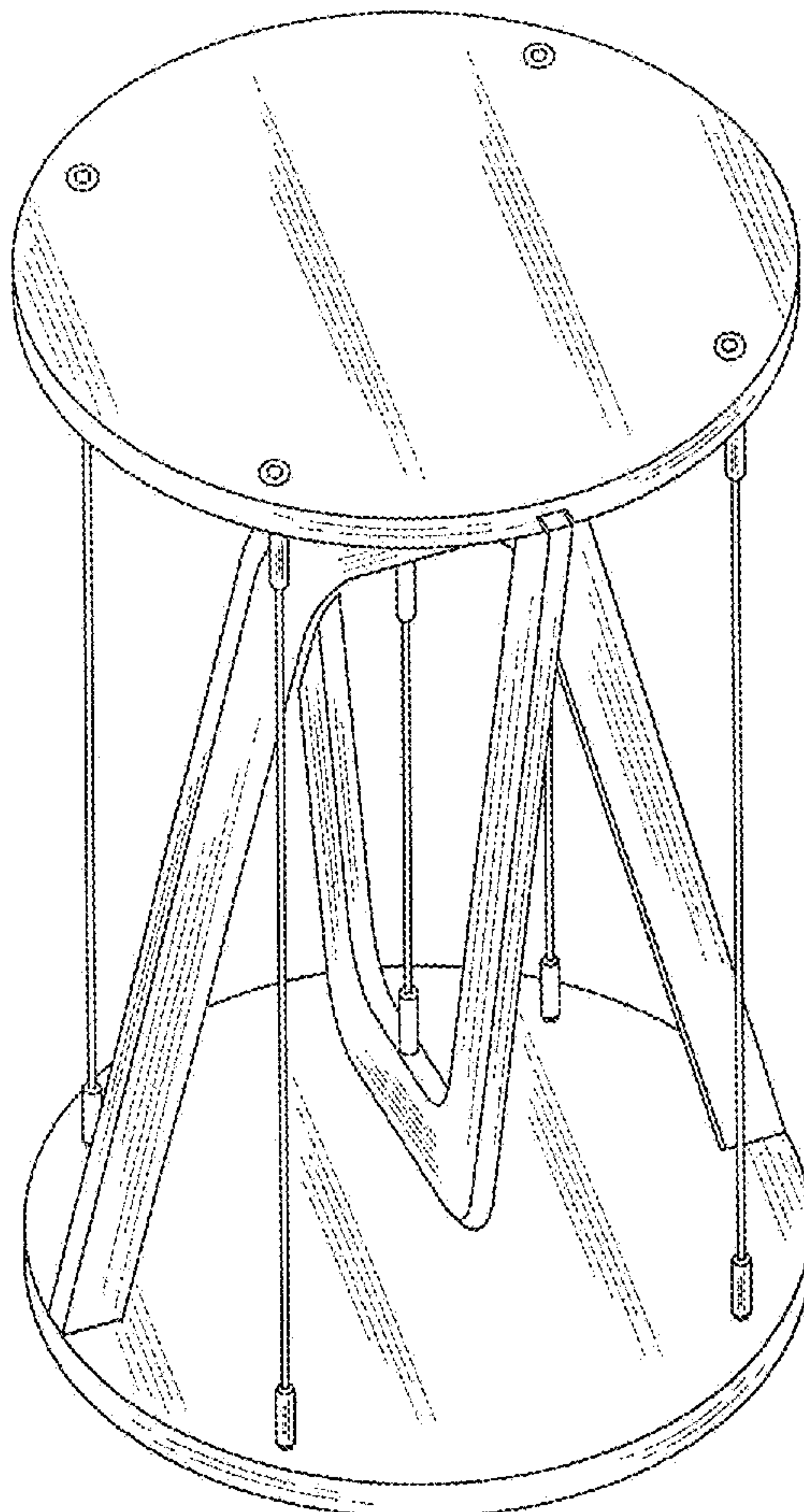
DESCRIPTION

FIG. 1 is a perspective view of a shelf showing my new design;
 FIG. 2 is a front elevation view thereof;
 FIG. 3 is a rear elevation view thereof;
 FIG. 4 is a left side elevation view thereof;
 FIG. 5 is a right side elevation view thereof;
 FIG. 6 is a top plan view thereof; and,
 FIG. 7 is a bottom plan view thereof.

1 Claim, 7 Drawing Sheets

(56) **References Cited**
 U.S. PATENT DOCUMENTS

D37,607 S *	10/1905	Gronowski	D6/677.1
1,830,769 A *	11/1931	Rothermel	A47G 7/025 248/156
D246,341 S *	11/1977	Boughton	D6/692.4



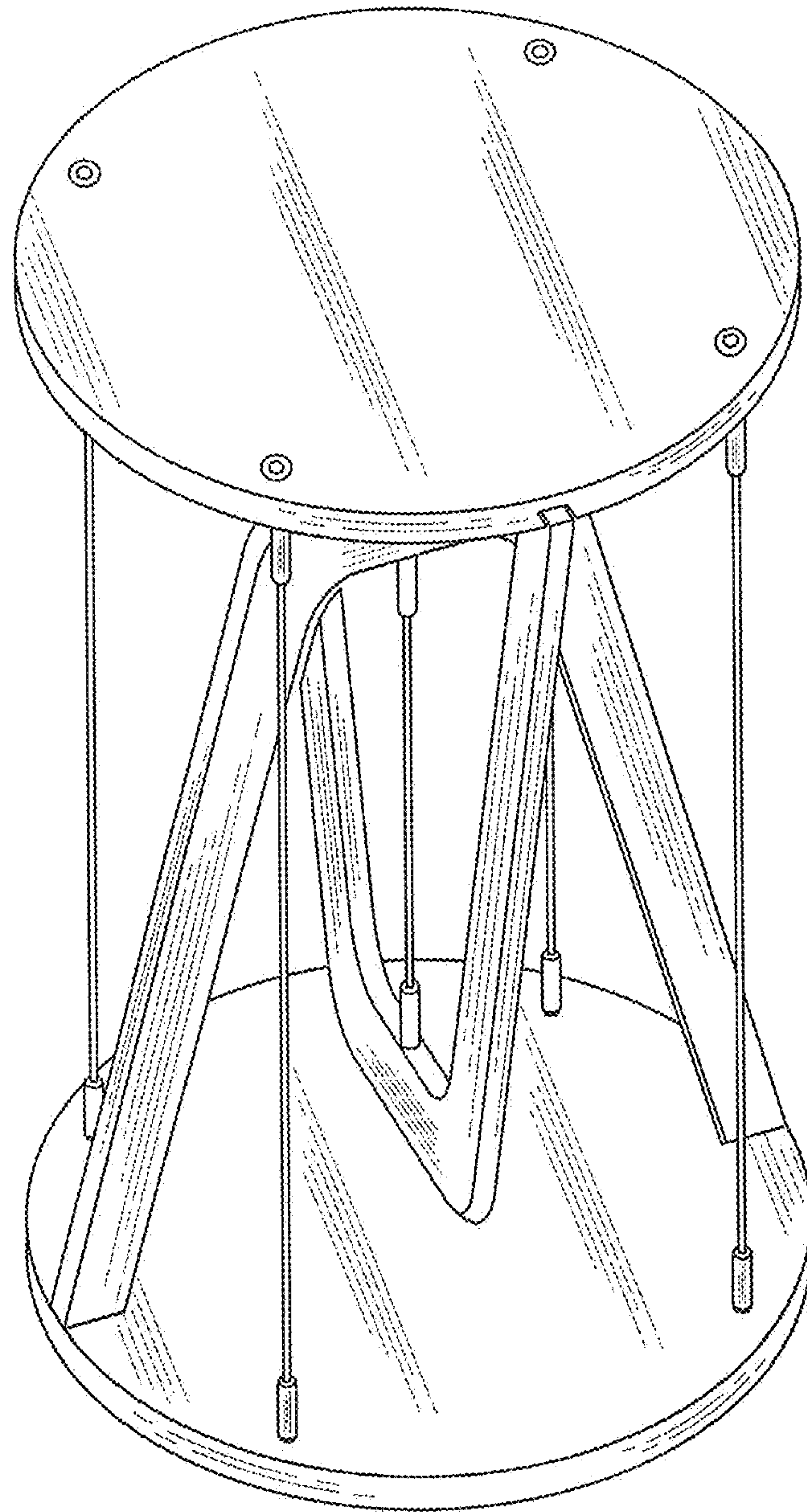


FIG. 1

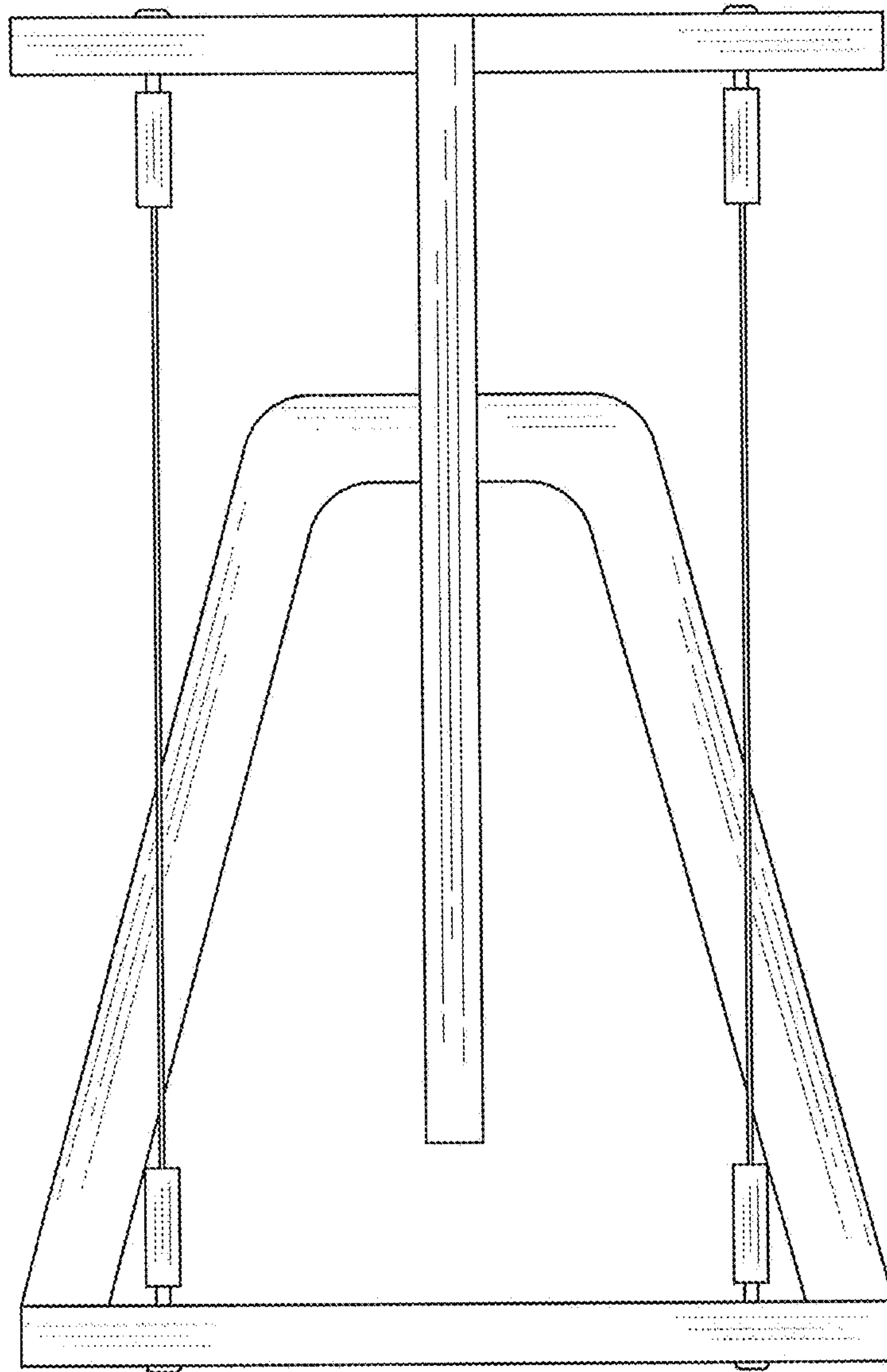


FIG. 2

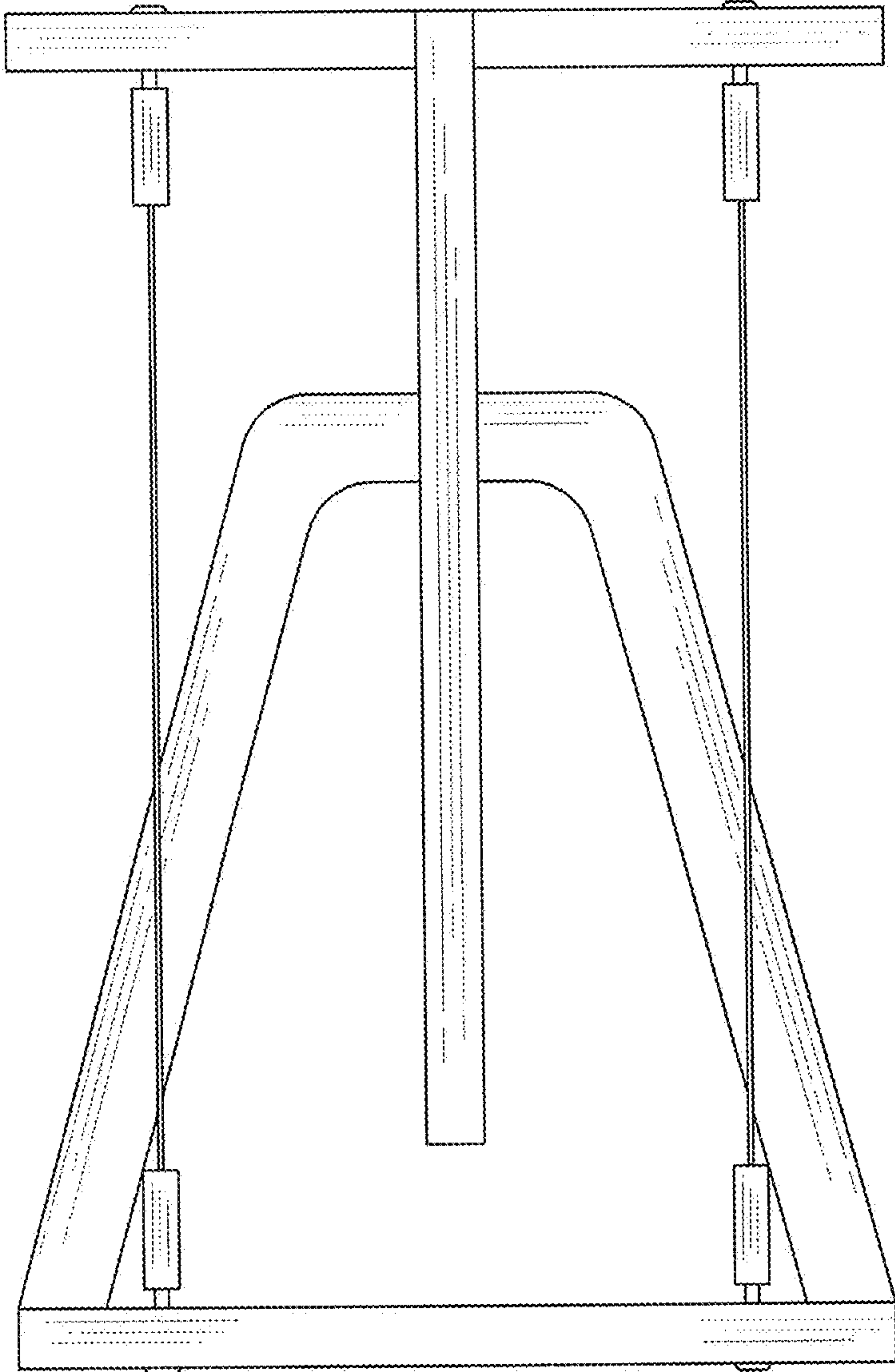


FIG. 3

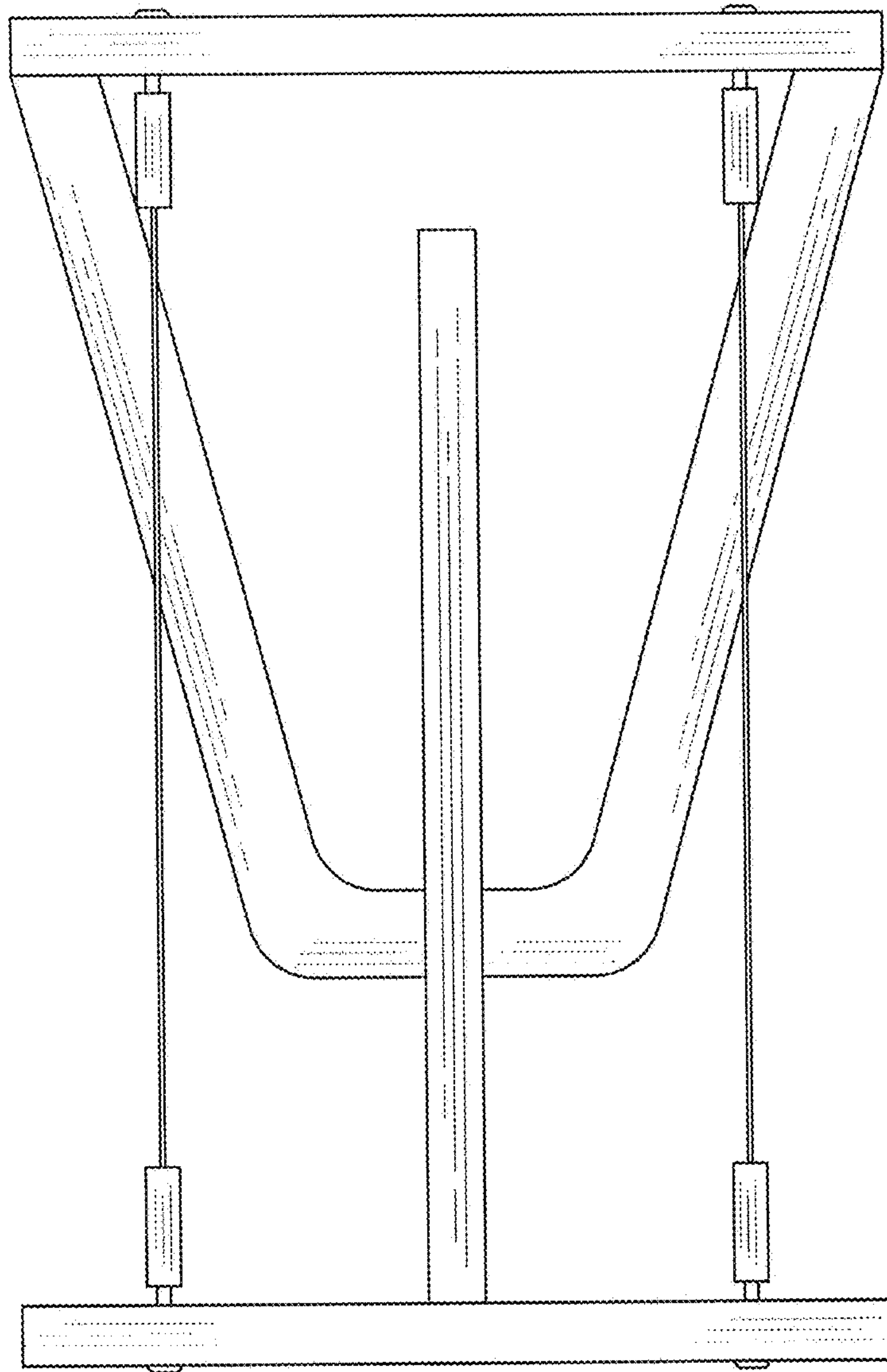


FIG. 4

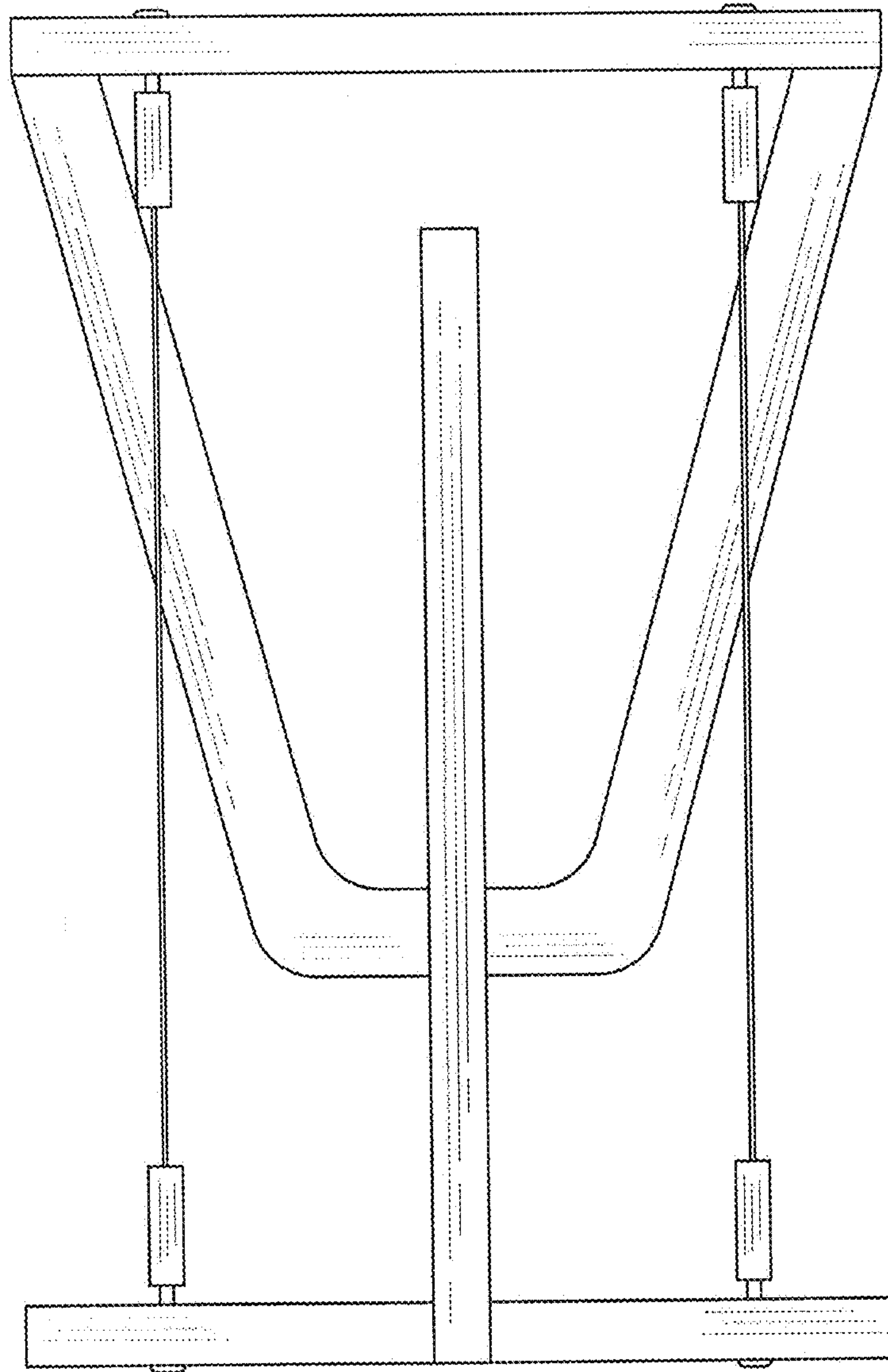


FIG. 5

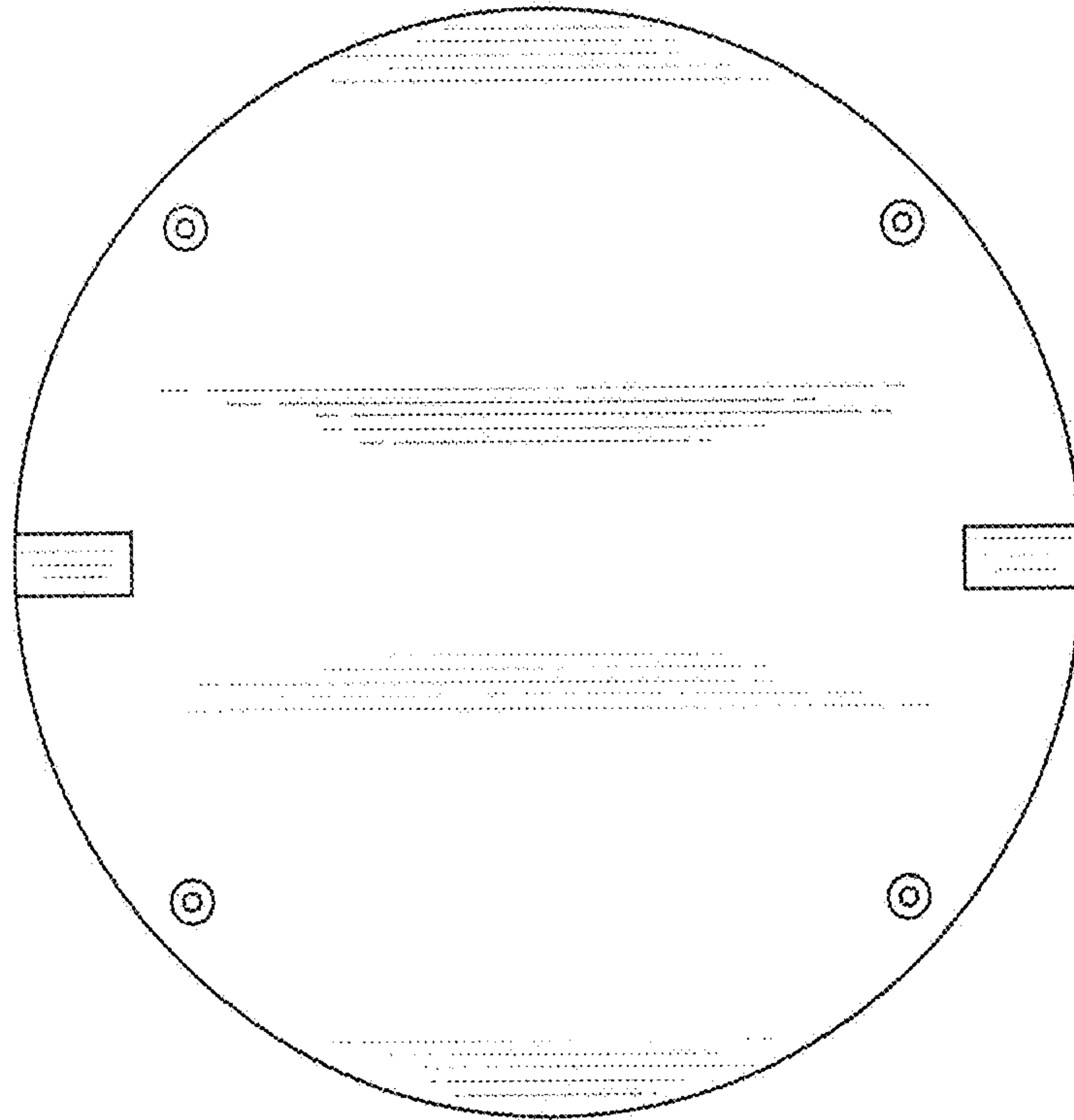


FIG. 6

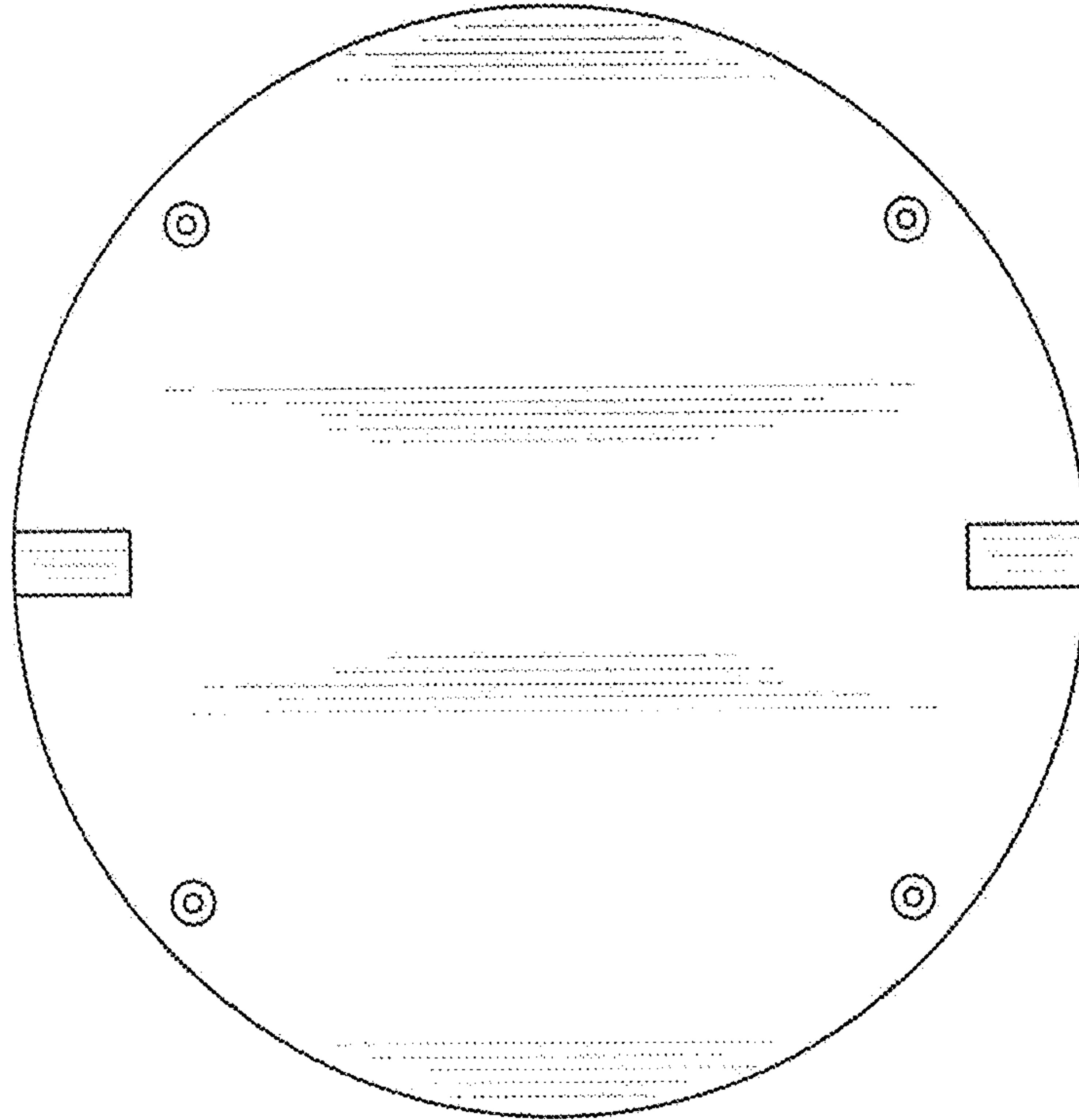


FIG. 7