



US00D978583S

(12) **United States Design Patent**  
**Zhang et al.**

(10) **Patent No.:** **US D978,583 S**

(45) **Date of Patent:** **\*\* Feb. 21, 2023**

(54) **TOOL SHELF**

(71) Applicant: **Heimiao Technology (Shenzhen) Co., Ltd.**, Guangdong (CN)

(72) Inventors: **Chaoying Zhang**, Guangdong (CN);  
**Jinlin Zhuang**, Guangdong (CN)

(73) Assignee: **Heimiao Technology (Shenzhen) Co., Ltd.**, Guangdong (CN)

(\*\*) Term: **15 Years**

(21) Appl. No.: **29/858,304**

(22) Filed: **Oct. 31, 2022**

(30) **Foreign Application Priority Data**

Jun. 7, 2022 (CN) ..... 202230342522.5

(51) **LOC (14) Cl.** ..... **06-06**

(52) **U.S. Cl.**  
USPC ..... **D6/675.2**

(58) **Field of Classification Search**  
USPC ..... D6/672, 675, 675.1, 675.2, 675.3, 675.5,  
D6/683-683.1  
CPC ..... A47F 5/00; A47F 5/0018; A47F 5/0056;  
A47F 5/13; A47F 5/01; A47F 7/00; B65D  
1/38; B65D 1/22; A47J 47/16; A47B  
81/00

See application file for complete search history.

(56) **References Cited**

**U.S. PATENT DOCUMENTS**

- D273,353 S \* 4/1984 Secon ..... D6/675.1
- D276,089 S \* 10/1984 Hutchins ..... D34/21
- D278,196 S \* 4/1985 Koves ..... D6/675.2
- D304,981 S \* 12/1989 Raskas ..... D6/675.1
- 5,221,014 A \* 6/1993 Welch ..... A47F 5/13  
211/187
- D363,615 S \* 10/1995 Vukelich, Sr. .... D6/675.2

- D377,428 S \* 1/1997 Rossdeutscher ..... D34/21
- D379,885 S \* 6/1997 Linder ..... D6/675.1
- D393,553 S \* 4/1998 Beggs
- D425,723 S \* 5/2000 Hurt ..... D6/684
- D716,089 S 10/2014 Bittle
- D723,843 S \* 3/2015 Lai ..... D6/675.1
- D734,966 S \* 7/2015 Greenspon ..... D6/675.2
- D784,052 S \* 4/2017 Rodriguez ..... D6/675.2
- D785,995 S \* 5/2017 Tsai ..... D6/705.6
- 9,782,996 B1 \* 10/2017 Kuo ..... A47B 55/02
- D801,732 S \* 11/2017 Schenker ..... D6/675.2
- 10,051,979 B2 \* 8/2018 Kuo ..... A47B 73/006
- D856,420 S \* 8/2019 Tsai ..... D19/92
- D899,722 S \* 10/2020 Yang ..... D32/55
- D904,516 S \* 12/2020 Tsai ..... D19/92

(Continued)

*Primary Examiner* — Kelley A Donnelly

(74) *Attorney, Agent, or Firm* — ScienBiziP, P.C.

(57) **CLAIM**

The ornamental design for a tool shelf, as shown and described.

**DESCRIPTION**

FIG. 1 is a front, right, and top perspective view of a tool shelf, showing my design, wherein the dot-dash broken line circle is for the purpose of illustrating the boundary of the enlarged view of FIG. 9 and forms no part of the claimed design.

FIG. 2 is an another perspective view thereof.

FIG. 3 is a front elevation view thereof.

FIG. 4 is a rear elevation view thereof.

FIG. 5 is a left side elevation view thereof.

FIG. 6 is a right side elevation view thereof.

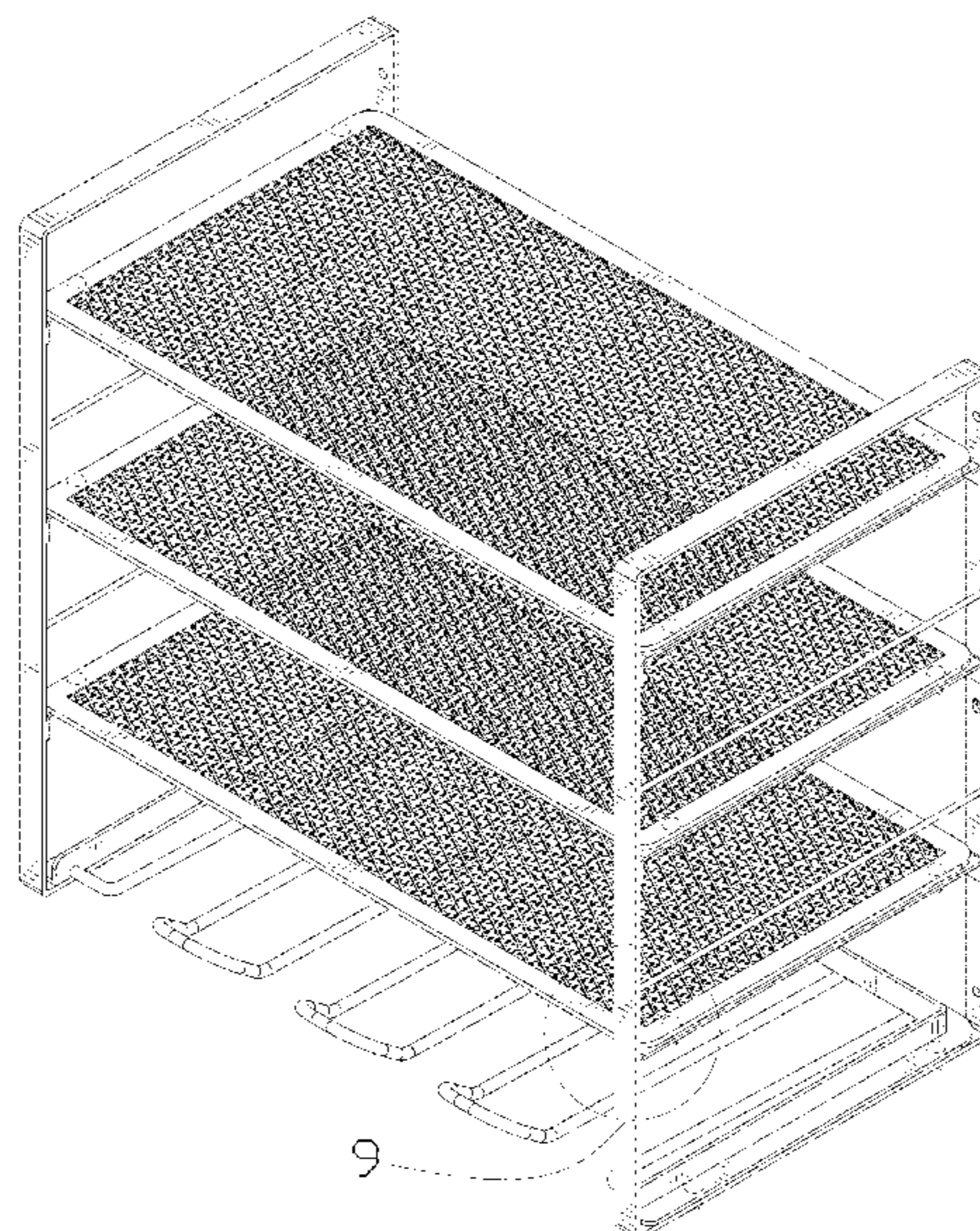
FIG. 7 is a top plan view thereof.

FIG. 8 is a bottom plan view thereof; and,

FIG. 9 is a partial enlarged view of an area labeled 9 in FIG. 1 outlined by the dot-dash broken line.

The broken lines in the drawings depict portions of the tool shelf that form no part of the claimed design.

**1 Claim, 9 Drawing Sheets**



(56)

**References Cited**

U.S. PATENT DOCUMENTS

D911,084 S \* 2/2021 Sabounjian ..... D6/675.2  
D914,407 S \* 3/2021 Greenwood ..... D6/675.1  
D923,088 S \* 6/2021 Hu ..... D19/92  
D928,442 S \* 8/2021 Zhan ..... D32/55  
D939,253 S \* 12/2021 Huang ..... D6/675.2  
D966,759 S \* 10/2022 Li ..... D6/675.1  
D970,268 S \* 11/2022 Fan ..... D6/675.2  
D971,652 S \* 12/2022 Lin ..... D6/675.1  
2015/0014263 A1\* 1/2015 Lo ..... A47B 87/0207  
211/182  
2021/0079726 A1\* 3/2021 Chiao ..... A47B 55/02

\* cited by examiner

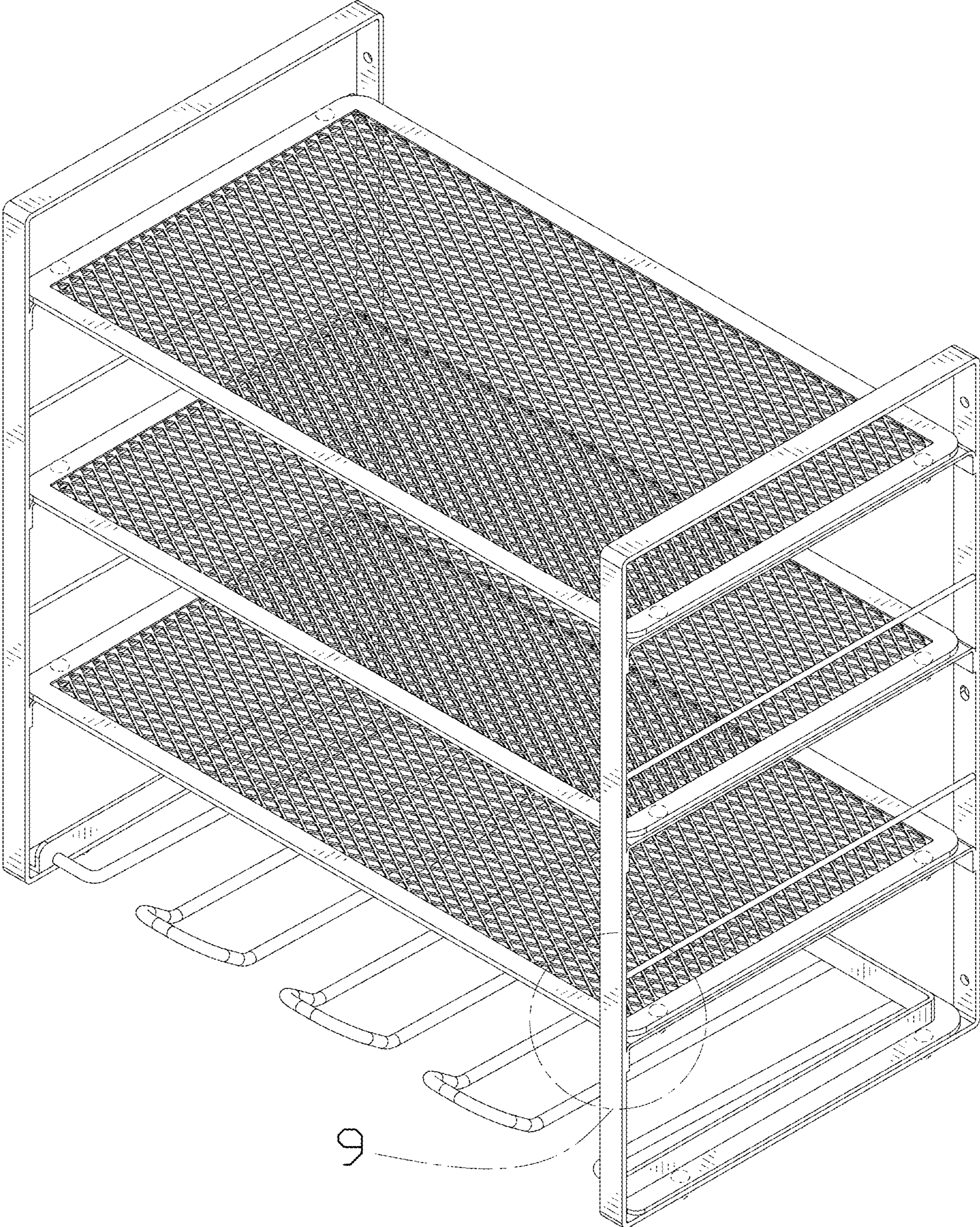


FIG. 1

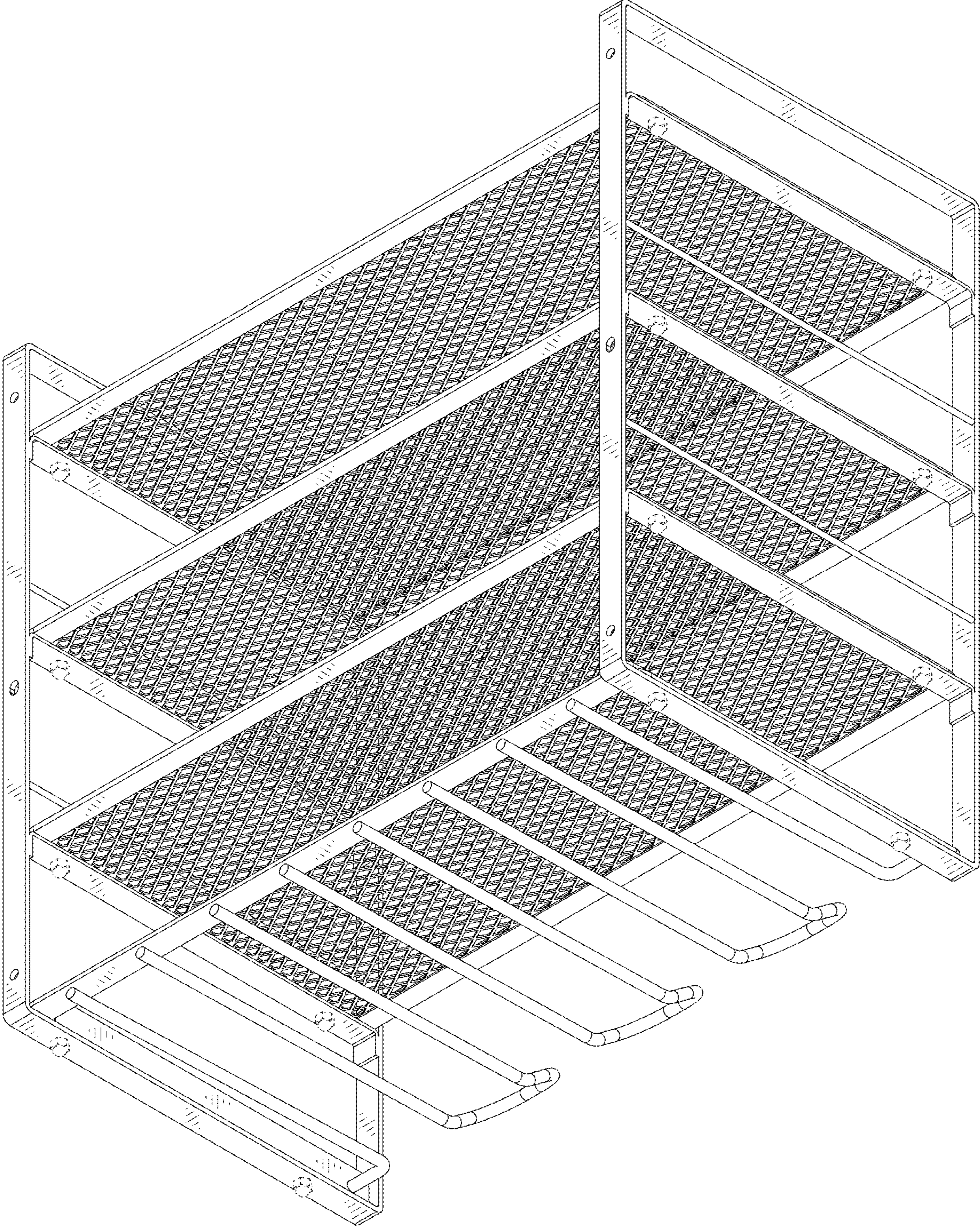


FIG. 2

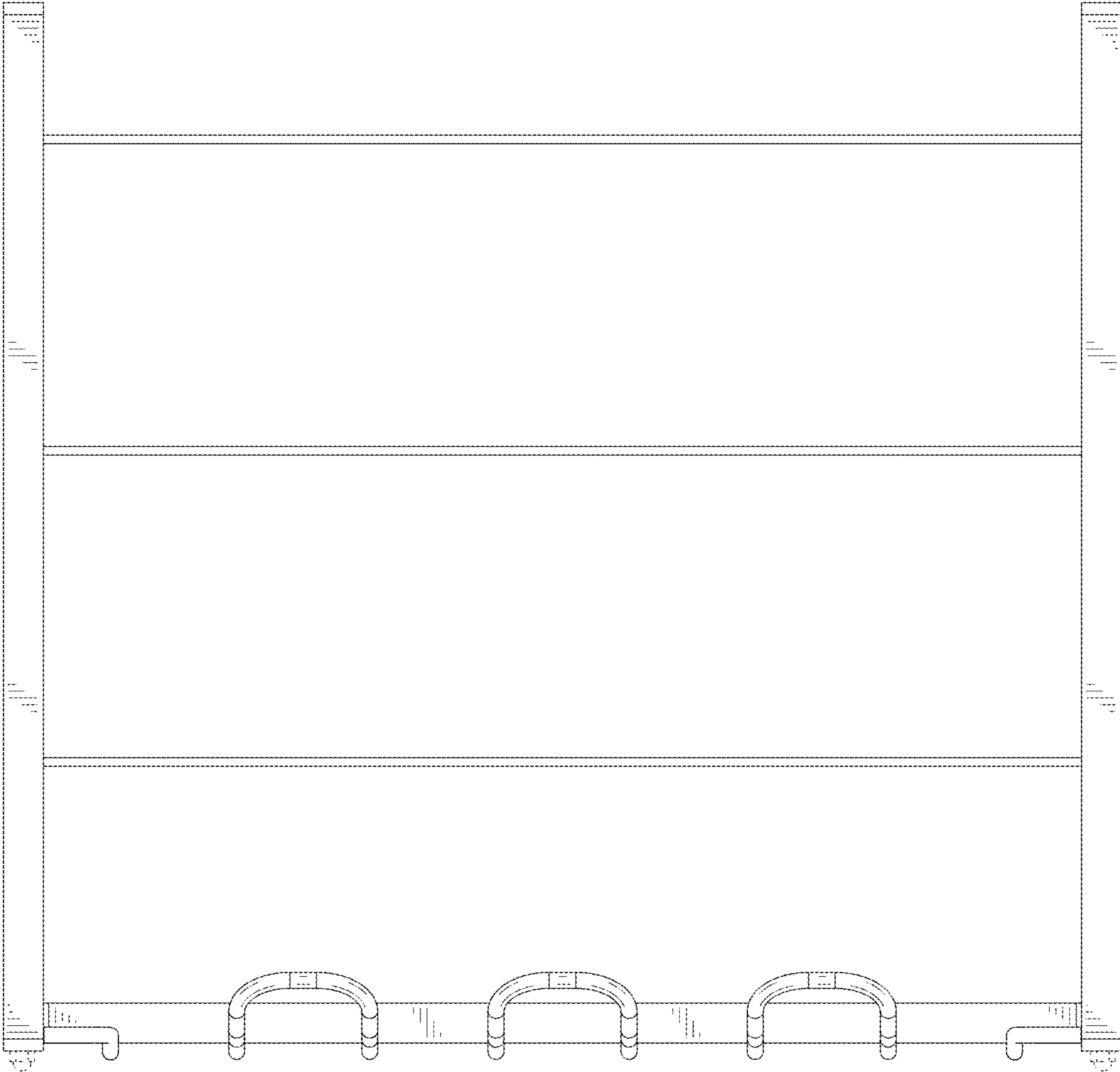


FIG. 3

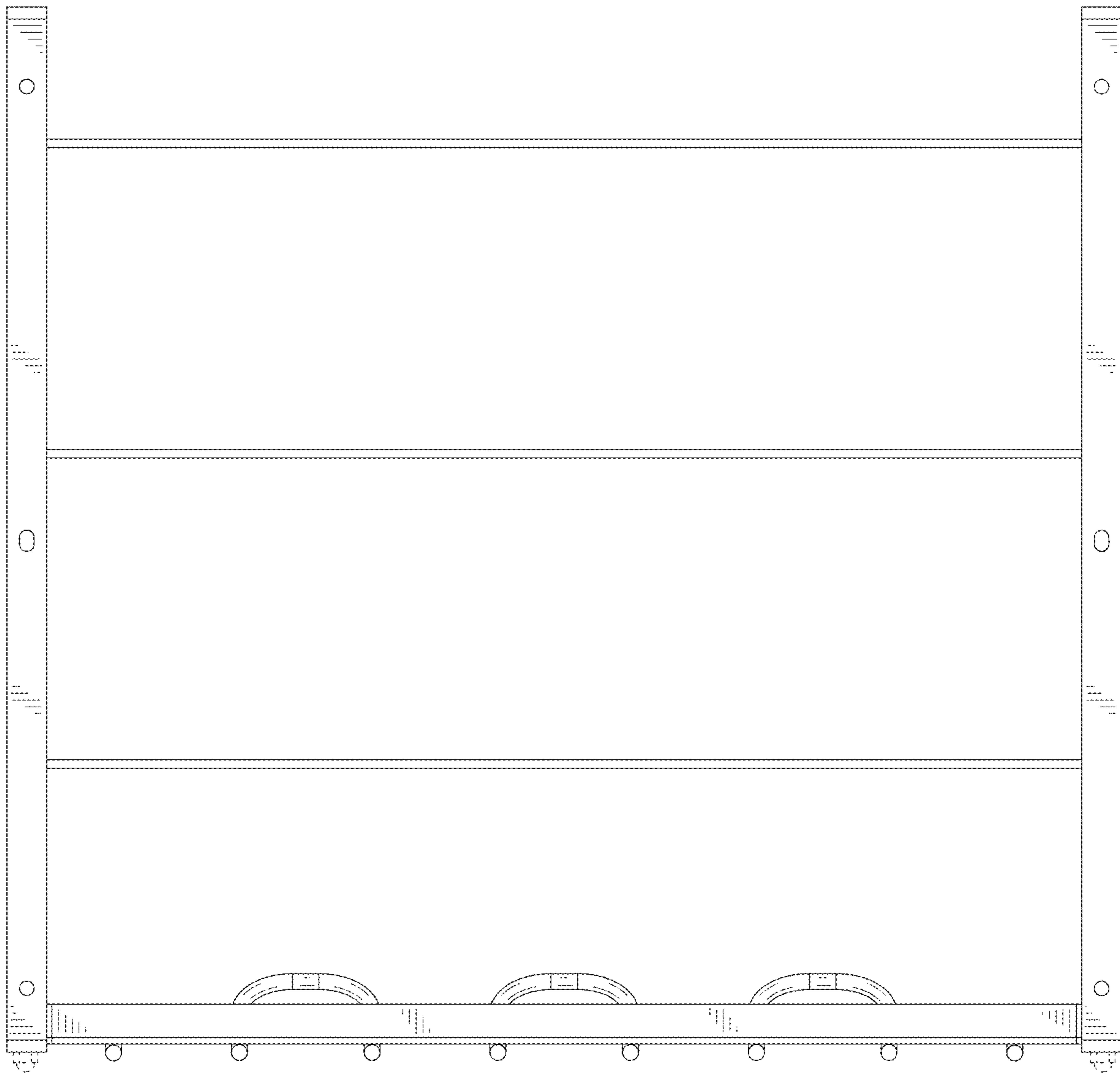


FIG. 4

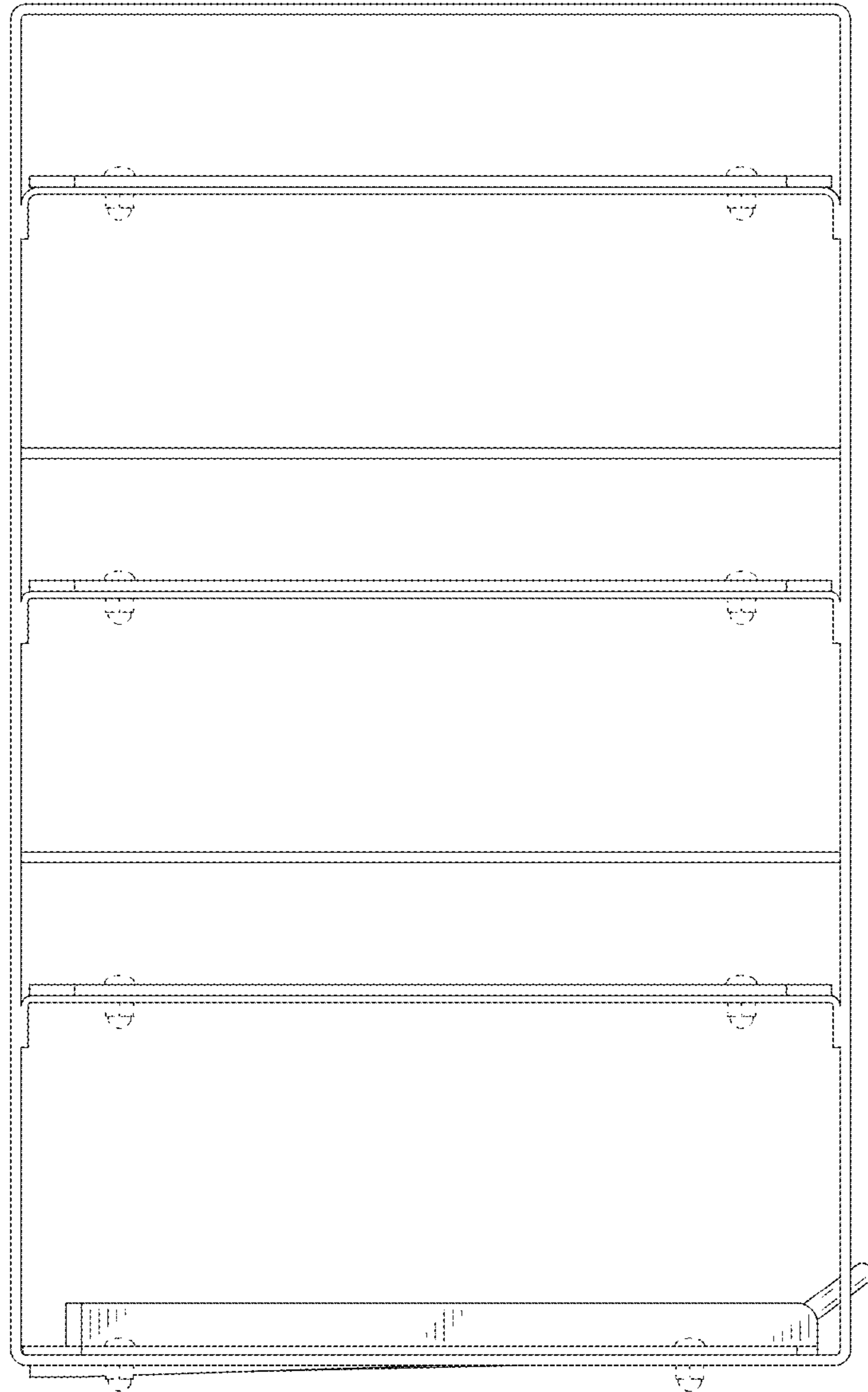


FIG. 5

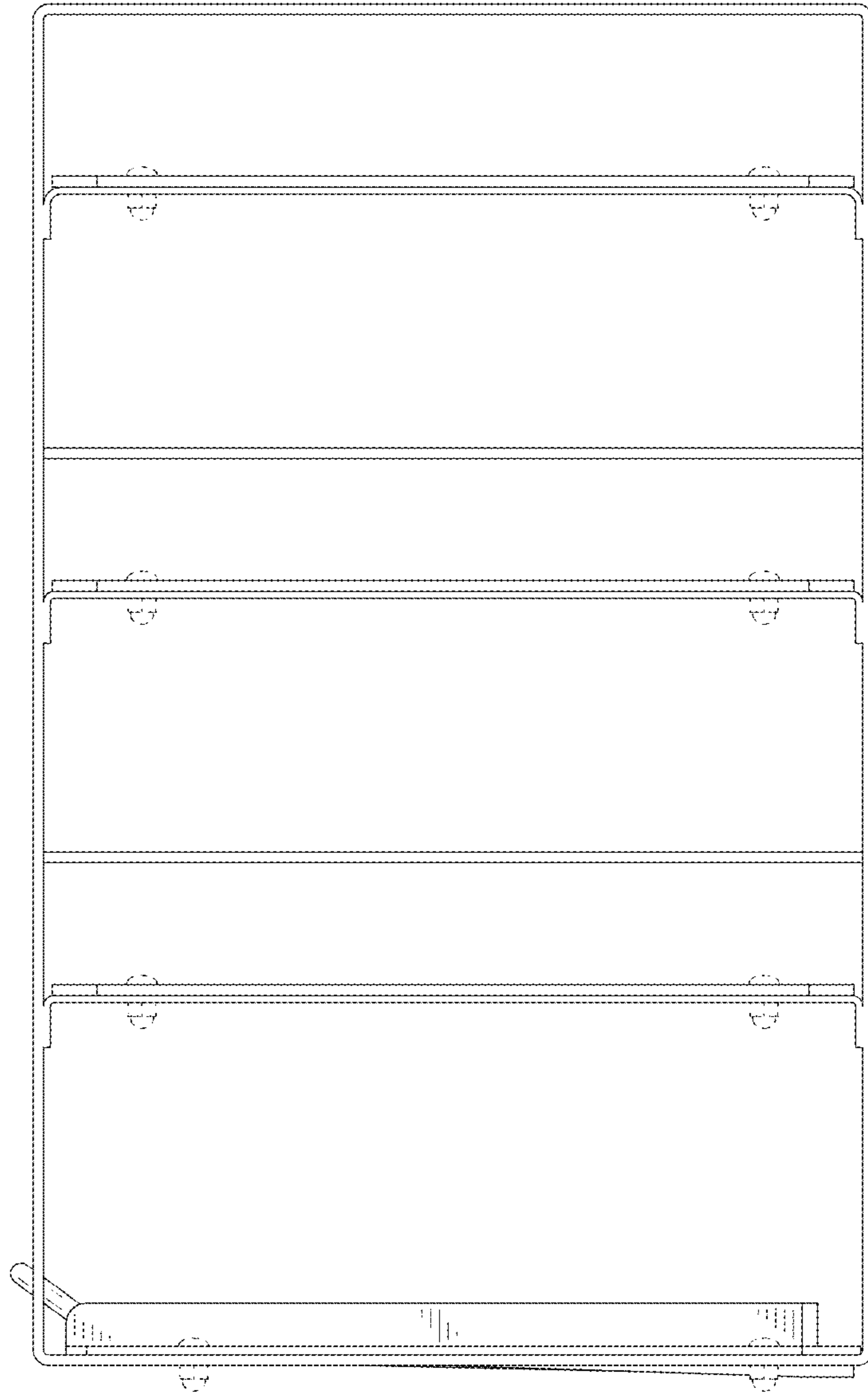


FIG. 6



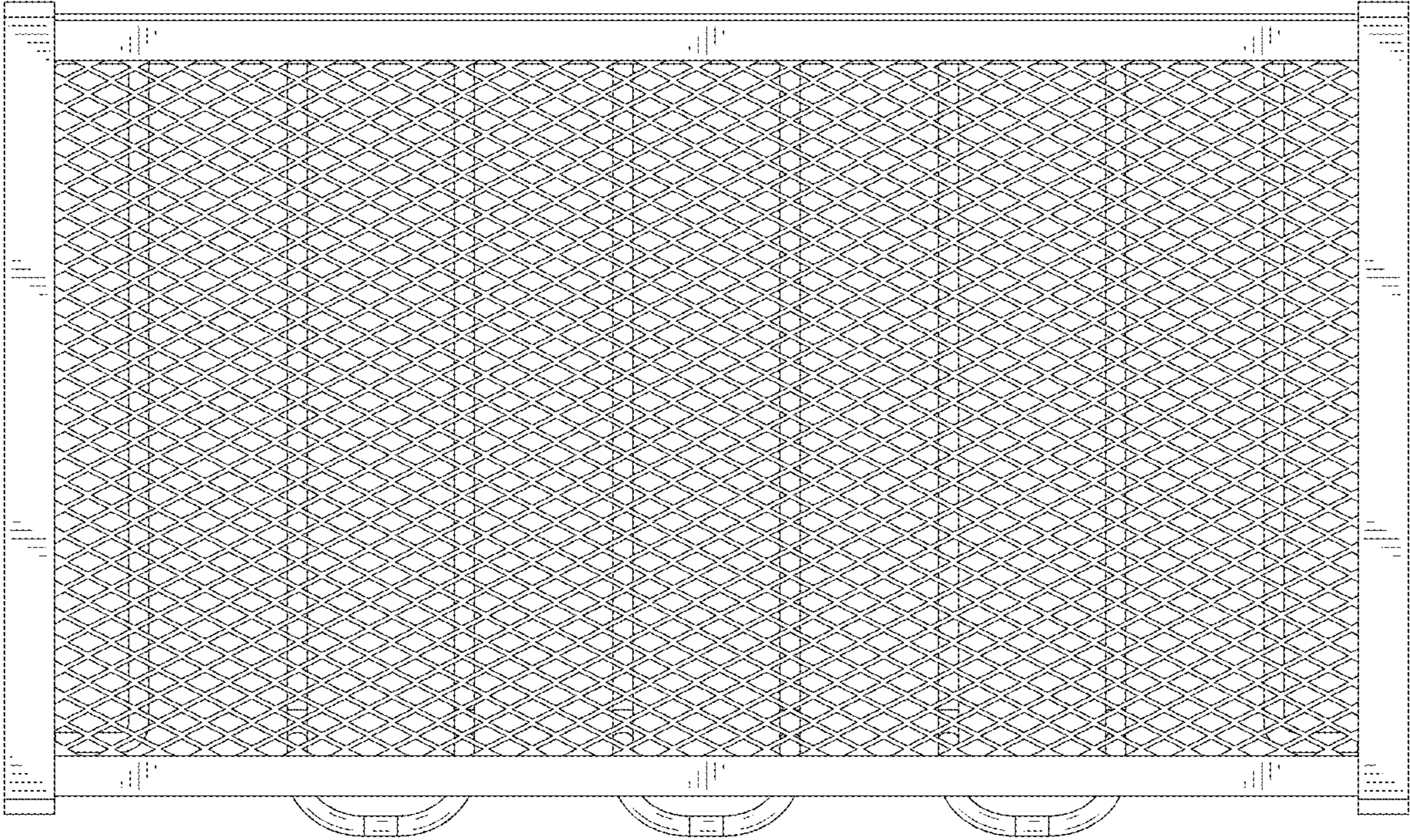


FIG. 7

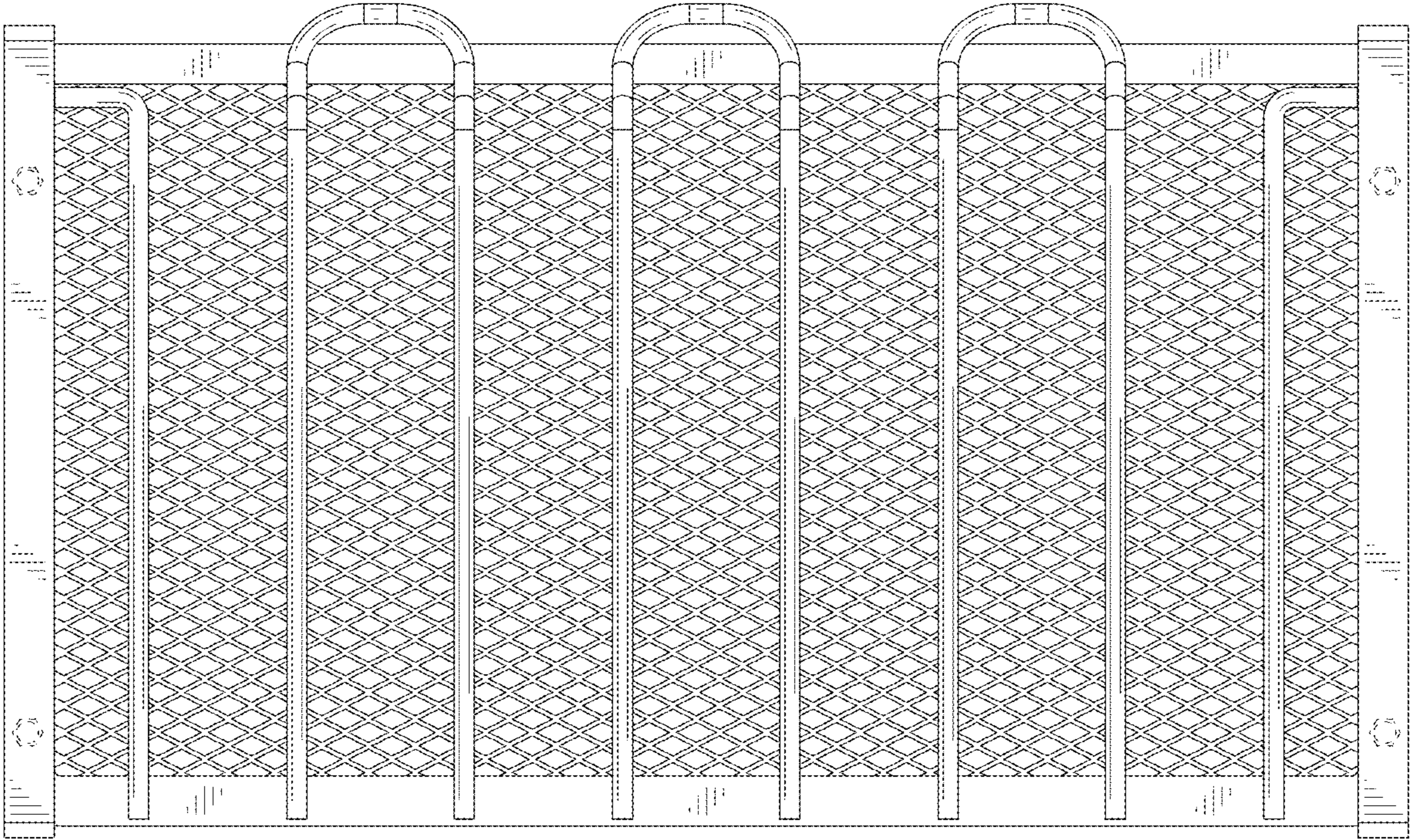


FIG. 8

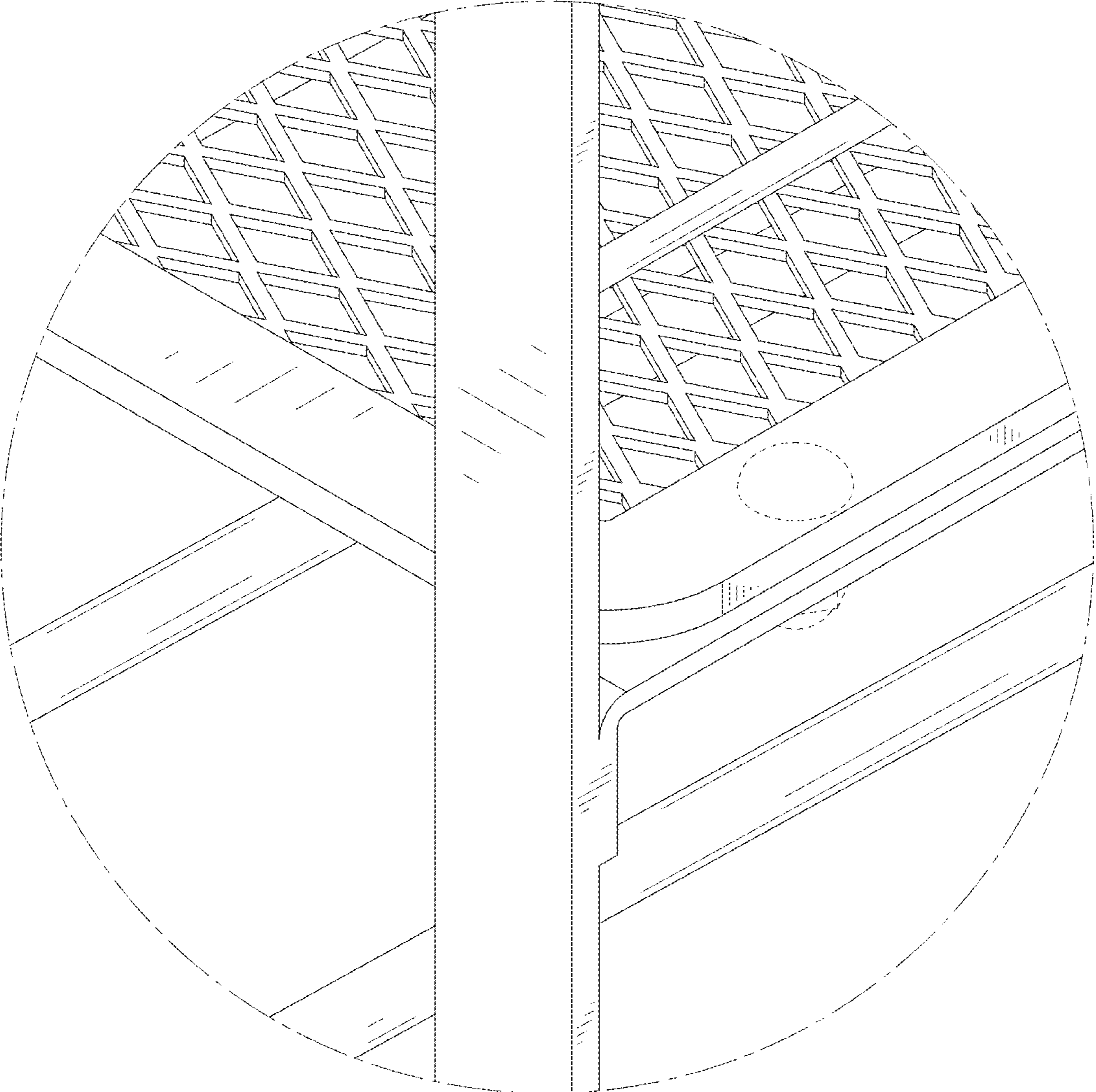


FIG. 9