



US00D978579S

(12) **United States Design Patent** (10) **Patent No.:** **US D978,579 S**
Sollie et al. (45) **Date of Patent:** **** Feb. 21, 2023**

(54) **DESK SHIELD**

9,920,520 B2 3/2018 Udagawa et al.
D873,053 S * 1/2020 Wolf D6/643
D963,380 S 9/2022 Sollie et al.
(Continued)

(71) Applicant: **Pratt Corrugated Holdings, Inc.**,
Brookhaven, GA (US)

(72) Inventors: **Greg Sollie**, Sharpsburg, GA (US);
Shifeng Chen, Newport News, VA
(US); **John Anagnostopoulos**, Atlanta,
GA (US); **Don Joe Mikell, II**,
Huntsville, AL (US)

FOREIGN PATENT DOCUMENTS

CN 106923511 7/2017
KR 200419237 6/2006
(Continued)

(73) Assignee: **Pratt Corrugated Holdings, Inc.**,
Brookhaven, GA (US)

OTHER PUBLICATIONS

Amazon; Article entitled: "Nuomeisi Sneeze Guard", accessed on
Aug. 18, 2020, 6 pgs.
(Continued)

(**) Term: **15 Years**

(21) Appl. No.: **29/848,651**

(22) Filed: **Aug. 4, 2022**

Primary Examiner — Doris Clark
(74) *Attorney, Agent, or Firm* — Taylor English Duma
LLP

Related U.S. Application Data

(63) Continuation of application No. 29/756,862, filed on
Oct. 30, 2020, now Pat. No. Des. 963,380.

(51) **LOC (14) Cl.** **06-03**

(52) **U.S. Cl.**
USPC **D6/643**

(58) **Field of Classification Search**
USPC D6/643
CPC E04B 2002/7483; E04B 2002/7498; E04B
2/76; E04B 2/7401; A47B 2200/12; A47B
17/00; E04C 2/54
See application file for complete search history.

(57) **CLAIM**

We claim the ornamental design for a desk shield, as shown
and described.

DESCRIPTION

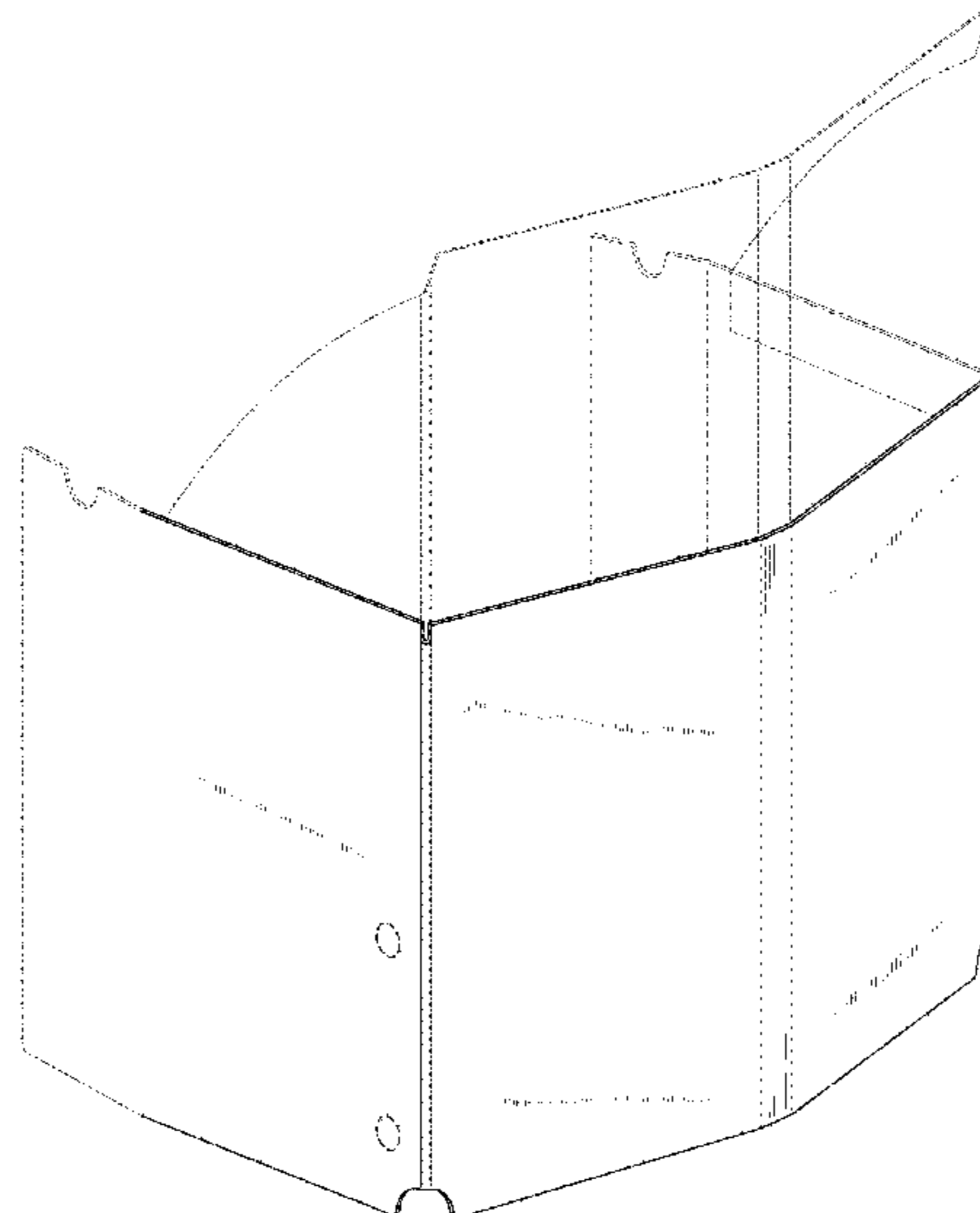
FIG. 1 is a perspective view of the desk shield in an
unfolded, upright configuration.
FIG. 2 is a rear elevation view thereof.
FIG. 3 is a front elevation view thereof.
FIG. 4 is a right-side elevation view thereof.
FIG. 5 is a left-side elevation view thereof.
FIG. 6 is a top plan view thereof.
FIG. 7 is a bottom plan view thereof.
FIG. 8 is a front elevation view of the desk shield in an
unfolded, flat configuration; and,
FIG. 9 is a perspective view of the desk shield in a folded
configuration.
Those features shown in broken lines form no part of the
claimed design.

(56) **References Cited**

U.S. PATENT DOCUMENTS

3,326,147 A 6/1967 Toney
3,538,976 A 11/1970 Gilbert et al.
5,012,832 A 5/1991 Turner
6,012,258 A * 1/2000 Brown E04B 2/7424
52/239
7,303,077 B2 12/2007 Harlocker

1 Claim, 9 Drawing Sheets



(56)

References Cited

U.S. PATENT DOCUMENTS

2004/0143932 A1* 7/2004 Chen E04B 2/7431
16/83
2016/0348358 A1* 12/2016 Udagawa E04B 2/7405
2022/0136240 A1 5/2022 Sollie et al.

FOREIGN PATENT DOCUMENTS

KR 200440401 6/2008
KR 1020140028690 3/2014
KR 200481374 9/2016
KR 102032188 2/2019

OTHER PUBLICATIONS

Amazon; Article entitled: Portable Sneeze Guard, Clear Acrylic Plexiglass Shield Guard for Student Desk, Employers, Workers & Customers, accessed on Aug. 21, 2020, 5 pgs.

Amazon; Article entitled: "Sneeze Guard Folding Barrier or Classroom Student Desk or Counter", accessed on Mar. 21, 2020, 5 pgs.

Amazon; Article entitled: "XWU Sneeze Guard Countertop Plexiglass Shield", accessed on Aug. 21, 2020, 6 pgs.

artfire.com; Article entitled: "Fabric Notepad holder with Velcro closure", accessed on Aug. 21, 2020, 7 pgs.

privacyshields.com; Article entitled: "Privacy Shields (Study Carrels) 13" Height—Prevent Cheating in Class!", accessed on Aug. 18, 2020, 4 pgs.

ShopPopDisplays; Assembly Instructions for School Desk Shield, publicly available prior to Aug. 21, 2020, 2 pgs.

Sollie, Greg; Notice of Allowance for U.S. Appl. No. 29/756,862, filed Oct. 30, 2020, date Jun. 6, 2022, 13 pgs.

* cited by examiner

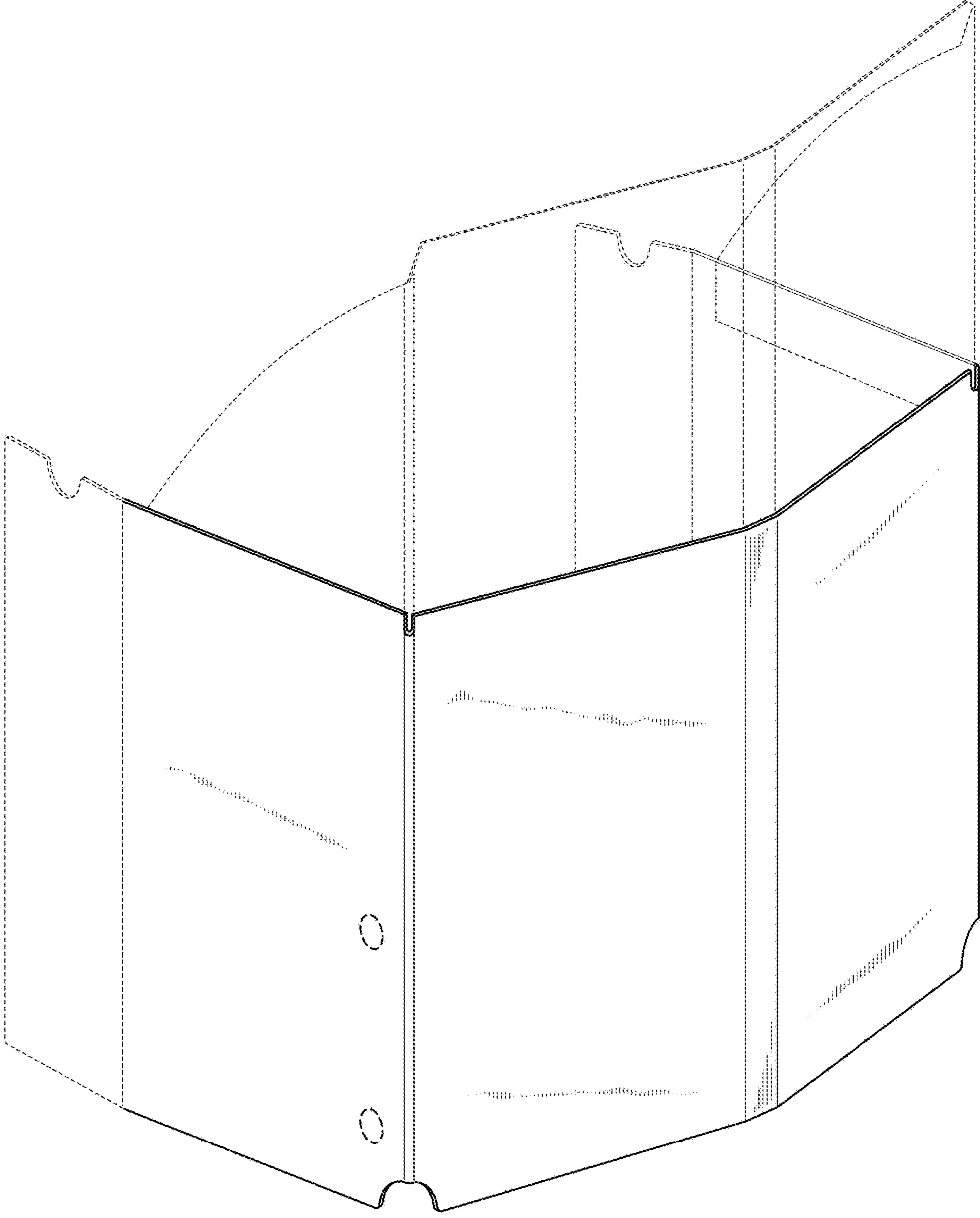


FIG. 1

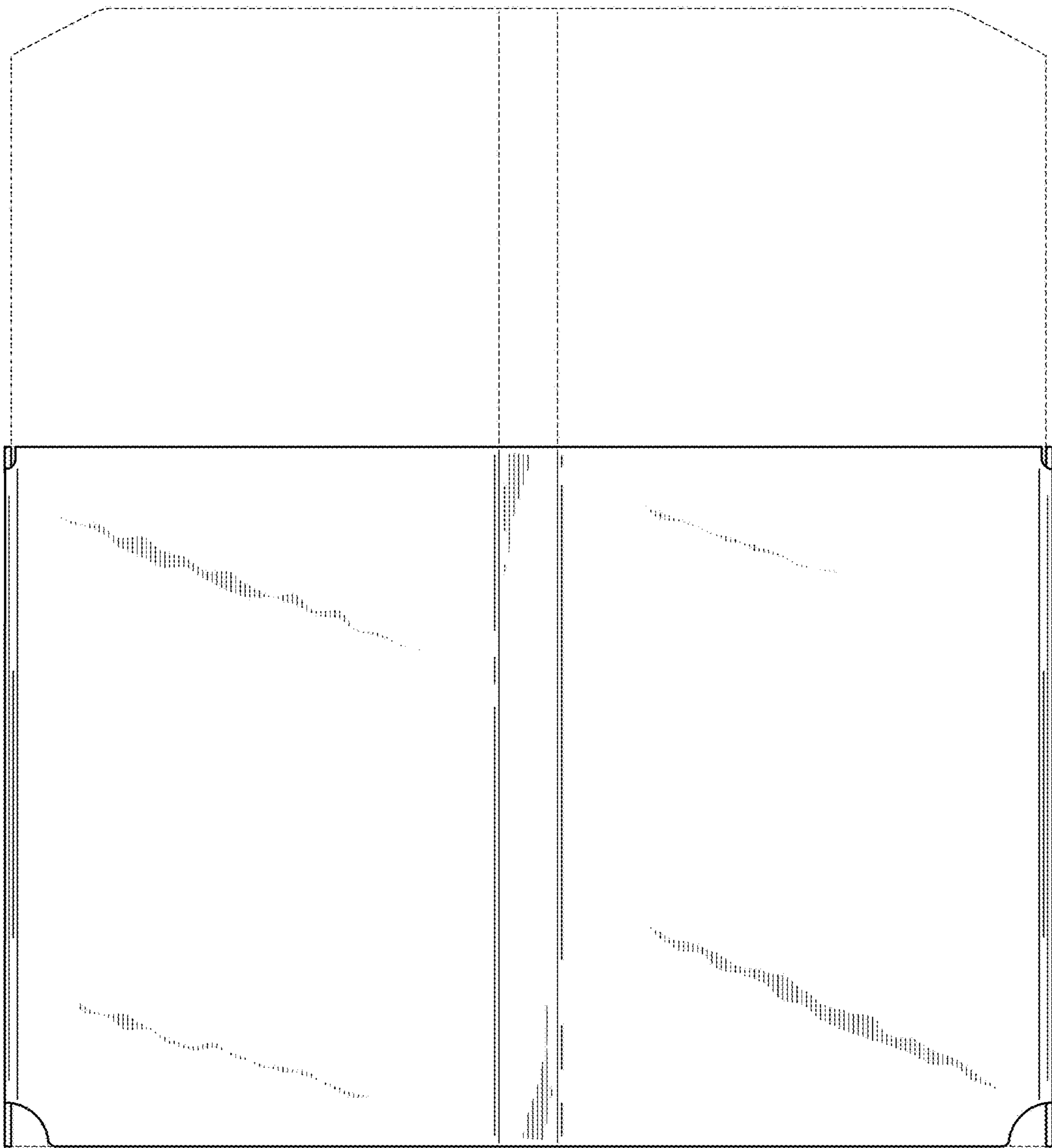


FIG. 2

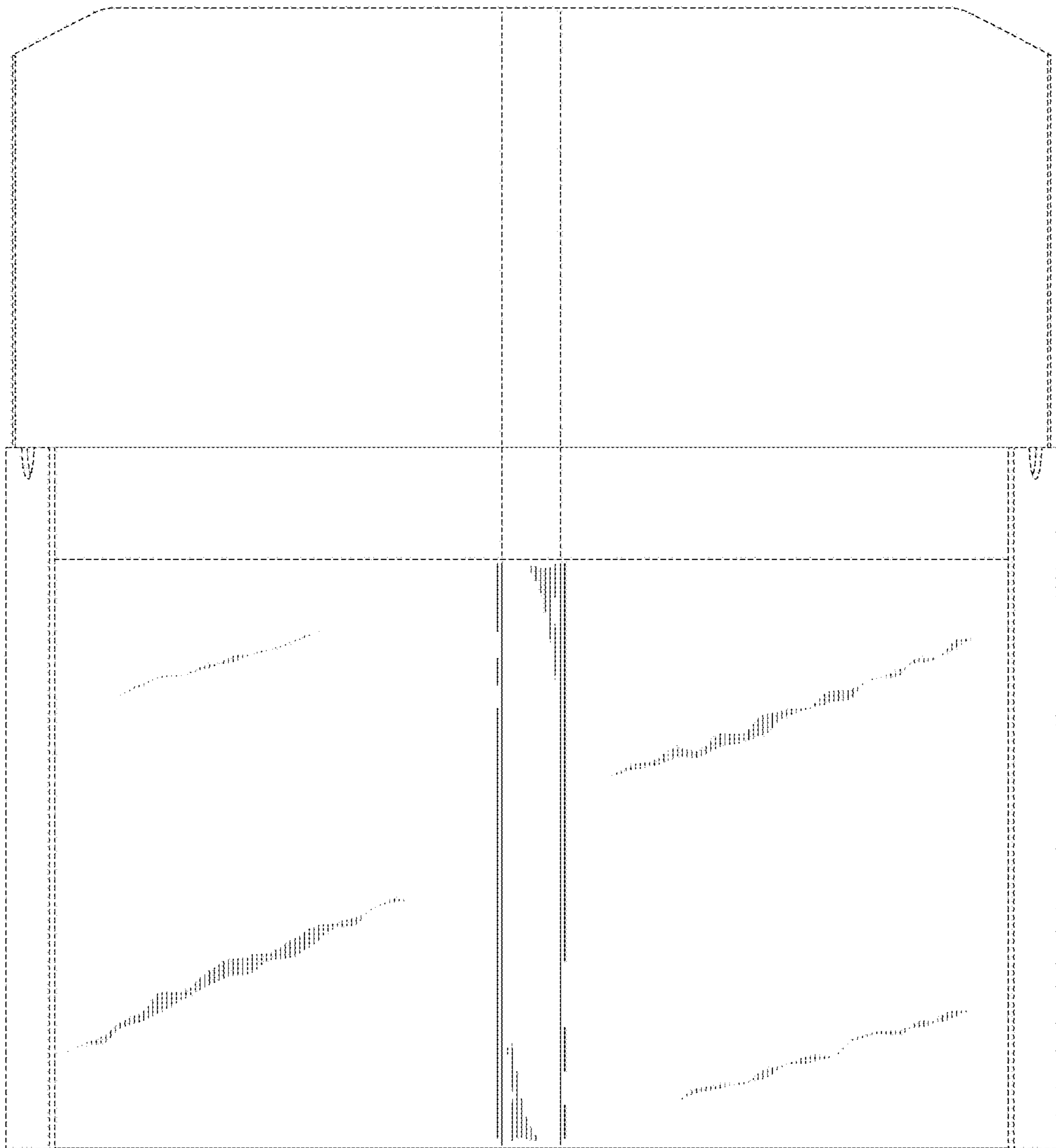


FIG. 3

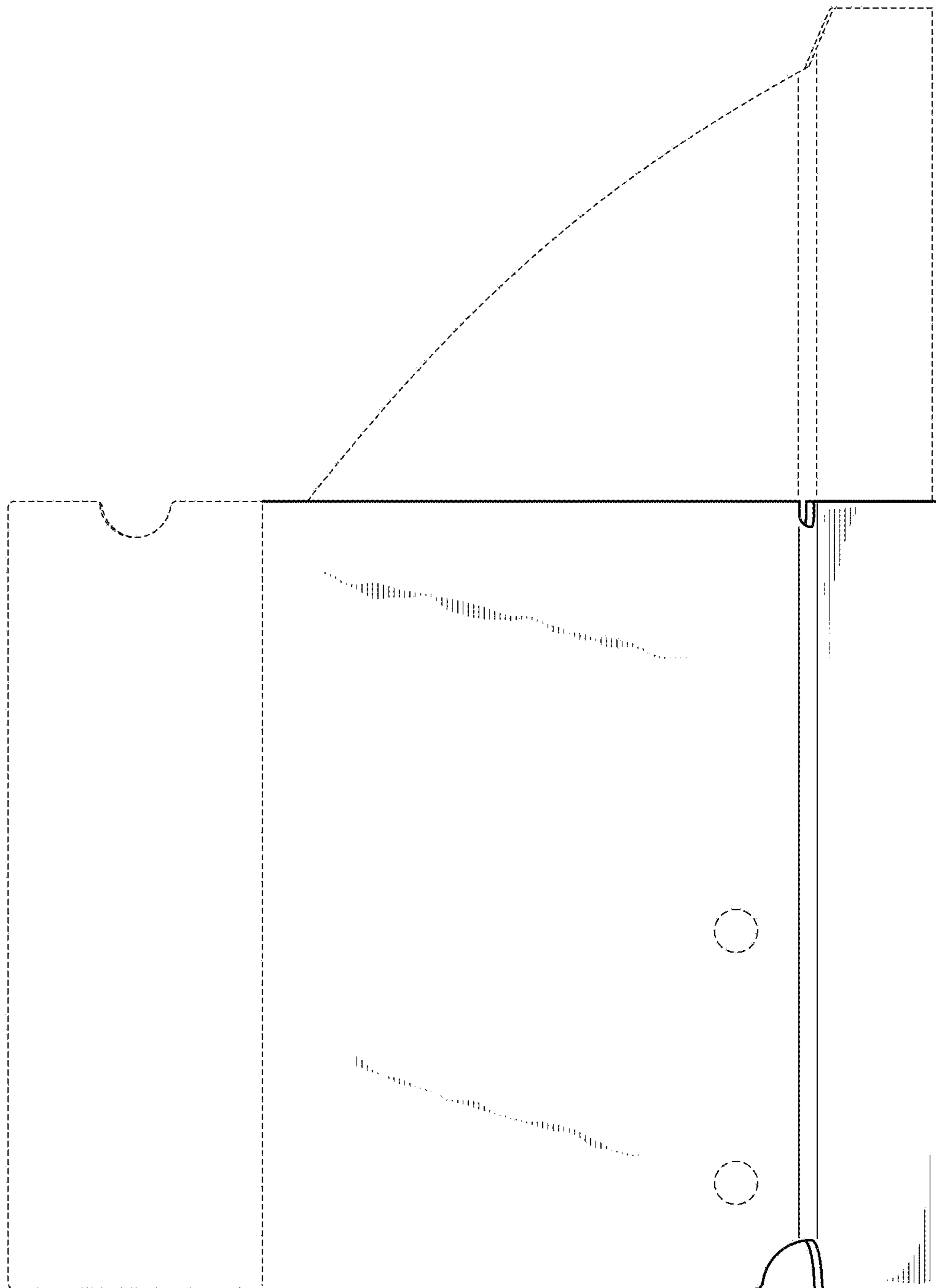


FIG. 4

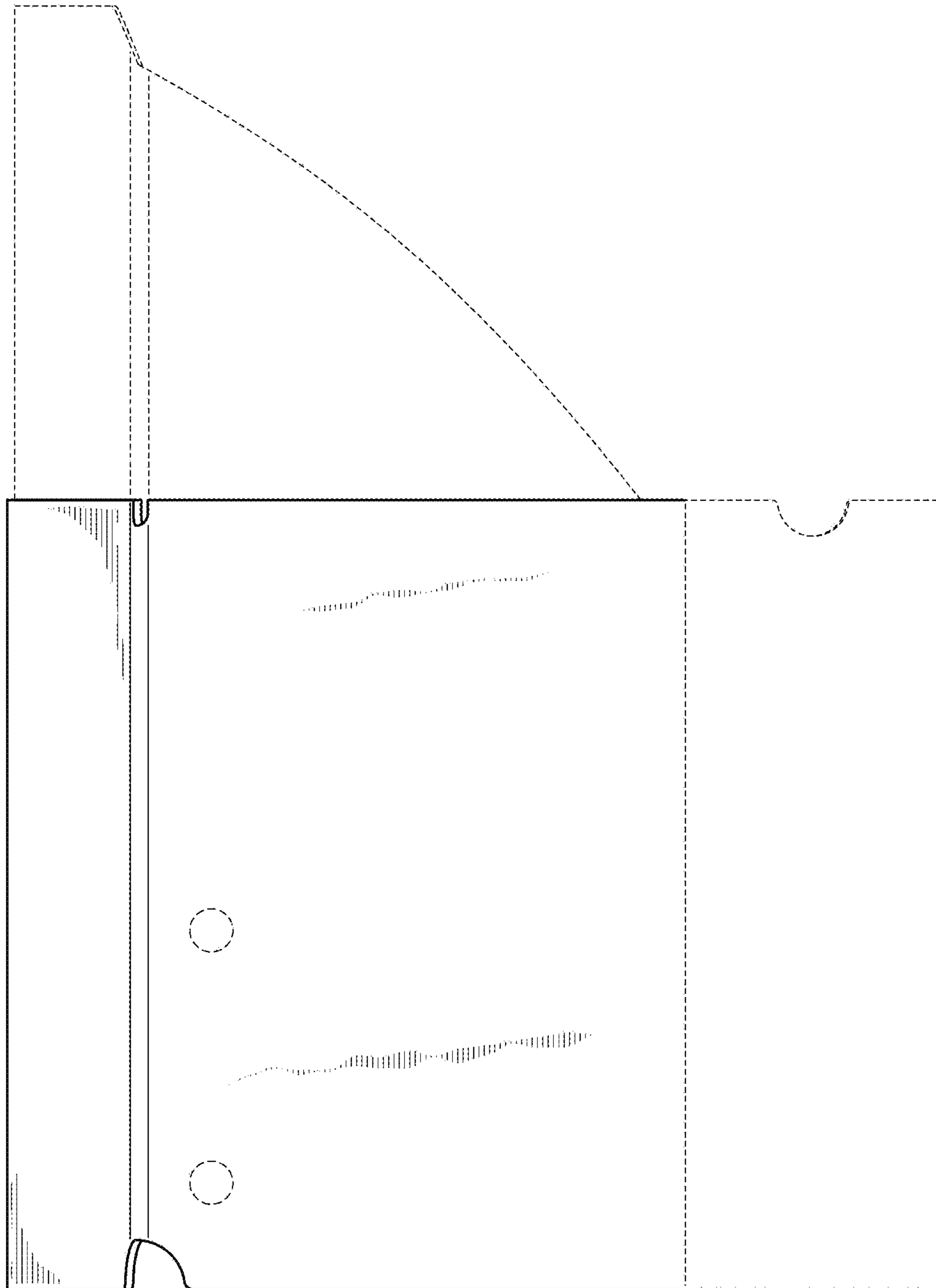


FIG. 5

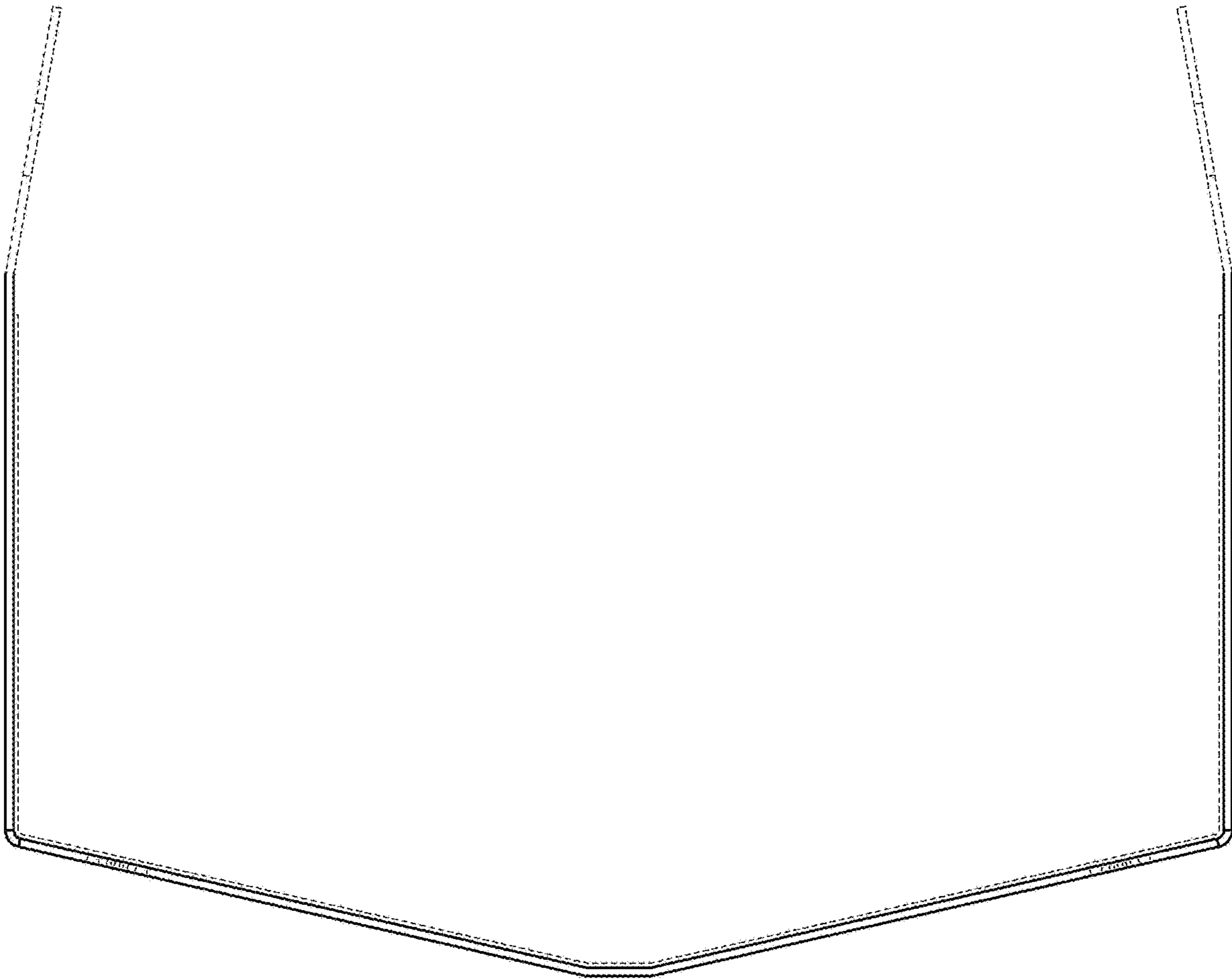


FIG. 6

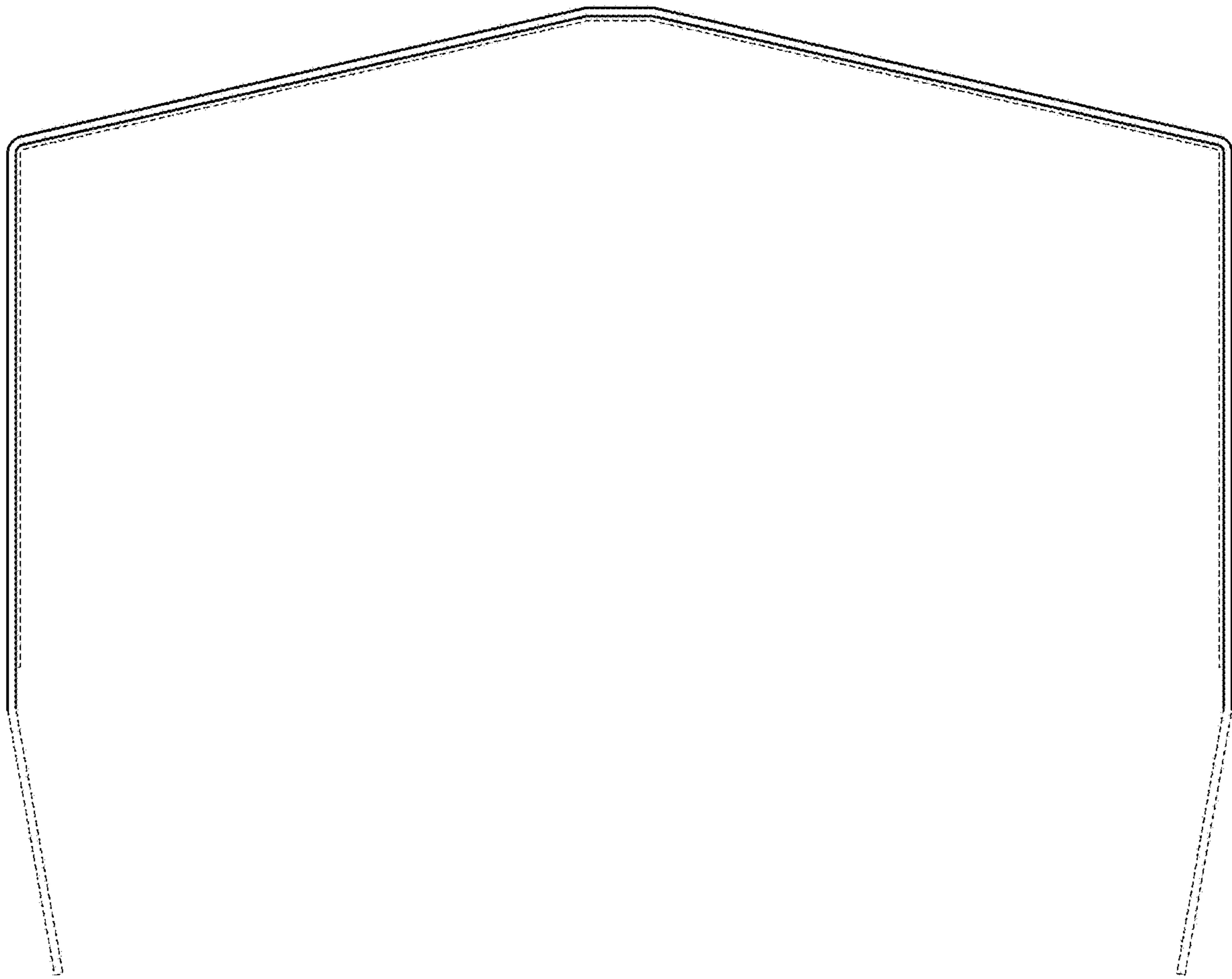


FIG. 7

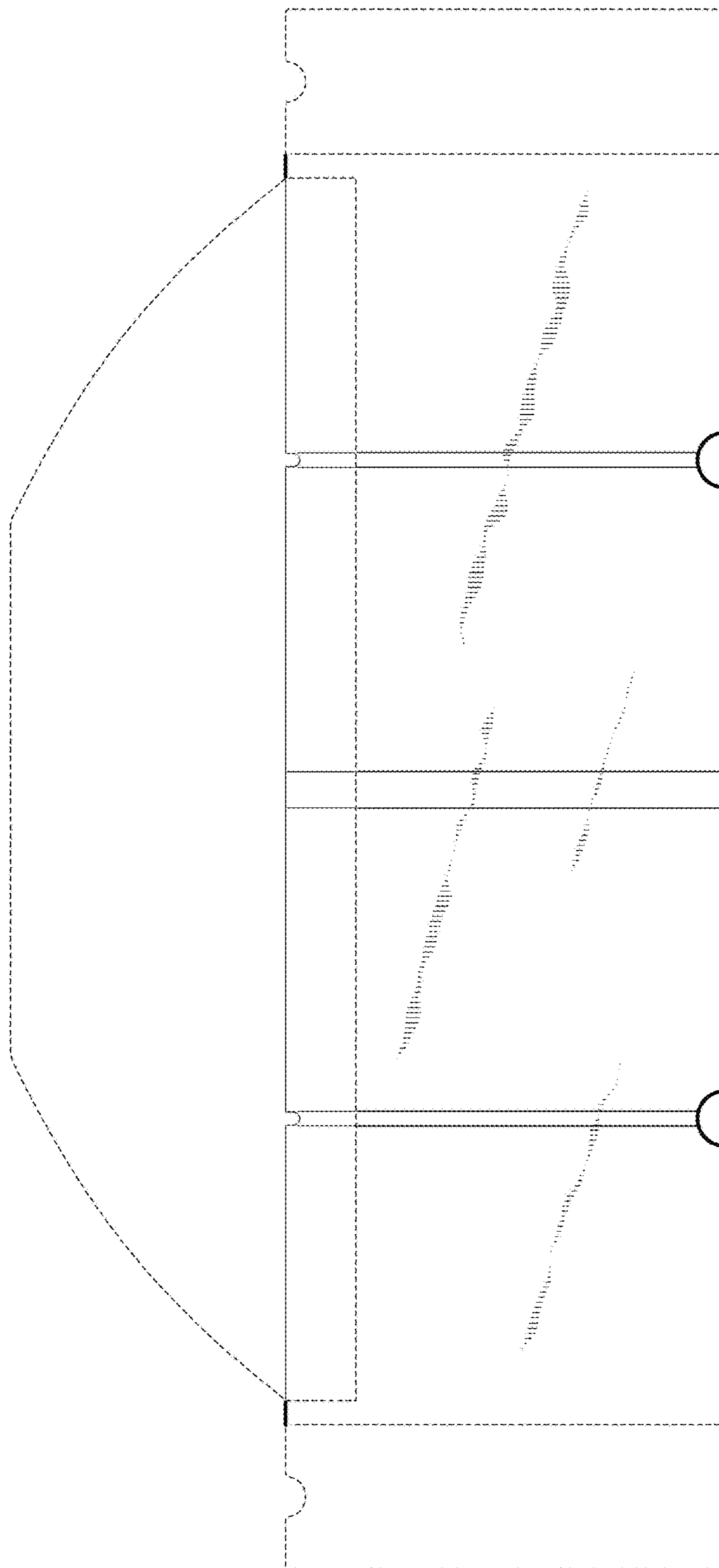


FIG. 8

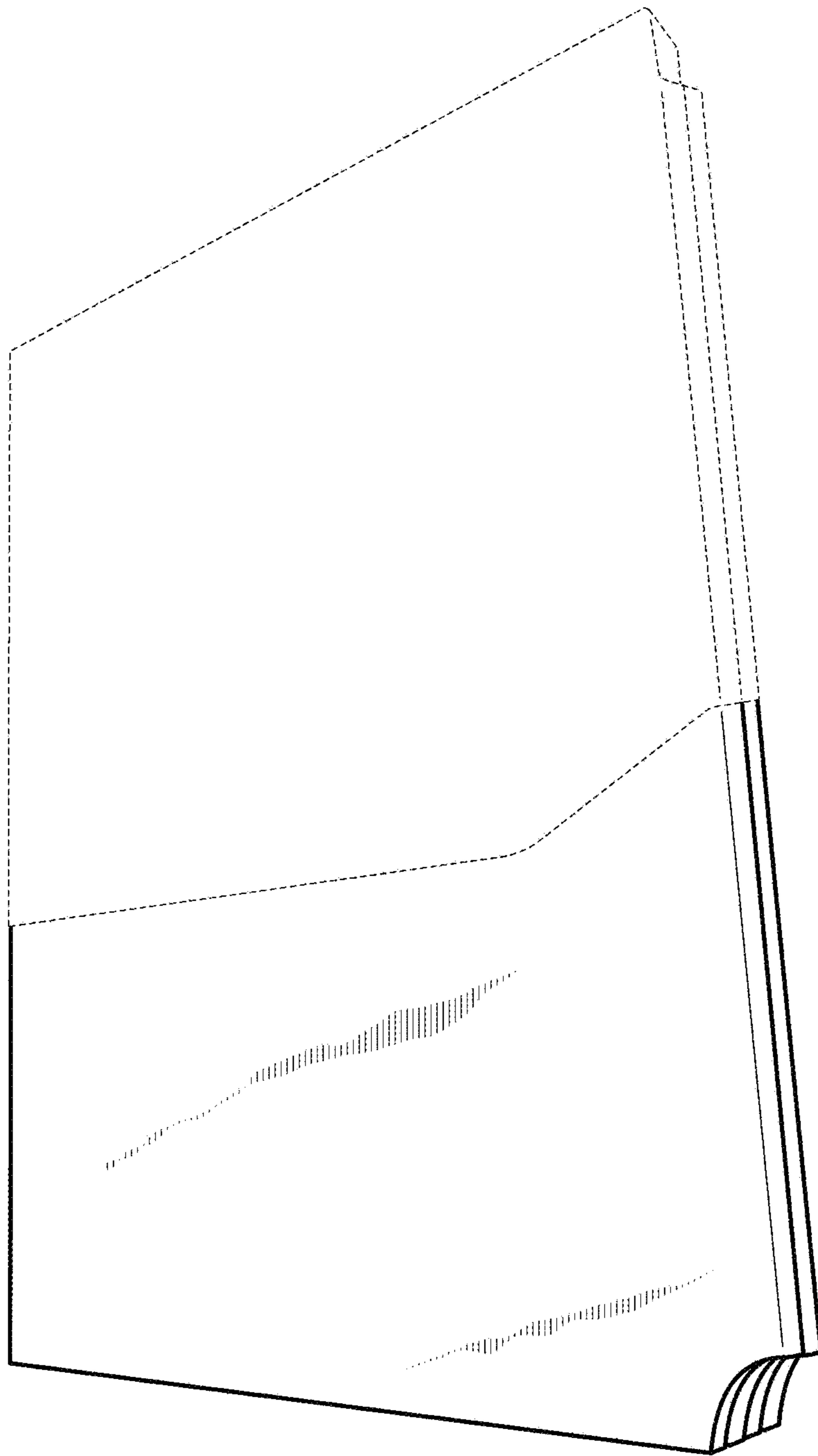


FIG. 9