



US00D978578S

(12) **United States Design Patent**
Seip

(10) **Patent No.:** **US D978,578 S**

(45) **Date of Patent:** **** Feb. 21, 2023**

(54) **CAR SEAT PROTECTOR**
(71) Applicant: **Skip Hop, Inc.**, New York, NY (US)
(72) Inventor: **Sierra Seip**, New York, NY (US)
(73) Assignee: **Skip Hop, Inc.**, New York, NY (US)
(**) Term: **15 Years**

D274,108 S * 6/1984 Trotman D5/47
4,529,248 A * 7/1985 Trotman B60N 2/5664
297/DIG. 2
D393,172 S * 4/1998 Brady D6/601
D440,107 S * 4/2001 Hsu D6/611
D482,559 S * 11/2003 Yoon D6/611
7,841,658 B1 * 11/2010 Marble B60N 2/60
297/229
D707,063 S * 6/2014 Daley D6/611
8,870,283 B2 * 10/2014 Daley B60N 2/28
297/229
D716,585 S * 11/2014 Peterson D6/611
D728,973 S * 5/2015 Daley D6/611

(21) Appl. No.: **29/728,586**
(22) Filed: **Mar. 19, 2020**
(51) **LOC (14) Cl.** **06-13**
(52) **U.S. Cl.**
USPC **D6/611**
(58) **Field of Classification Search**
USPC D6/575, 580, 582, 583, 588, 592, 601,
D6/602, 604, 605, 608, 610, 611, 613,
D6/617; D5/7, 37, 55, 56, 57, 58, 59, 60,
D5/61, 62, 99; D25/138
CPC A47C 31/11; A47C 27/08; A47C 27/14;
A47G 27/00; A47G 27/02; A47G 27/04;
A63B 37/0023; B60N 2/60; B44F 7/00;
B44F 5/00; B44F 3/00; D03D 15/65;
D03D 1/06; D03D 3/005; D03D 1/0082;
D03D 27/02; D03D 1/0047; D03D 15/46
See application file for complete search history.

(Continued)

OTHER PUBLICATIONS

Style Driven, Sep. 2020, found on Oct. 1, 2022 at https://www.skiphop.com/skiphop-on-the-go-stoller-accessories/V_91098410.html (Year: 2020).*

(Continued)

Primary Examiner — Karen S Acker
(74) *Attorney, Agent, or Firm* — Greenberg Traurig, LLP

(57) **CLAIM**

I claim the ornamental design for a car seat protector, as shown and described.

DESCRIPTION

FIG. 1 is a front perspective view of a car seat protector;
FIG. 2 is a rear perspective view thereof;
FIG. 3 is a front view thereof;
FIG. 4 is a rear view thereof;
FIG. 5 is a right side view thereof;
FIG. 6 is a left side view thereof;
FIG. 7 is a top view thereof; and,
FIG. 8 is a bottom view thereof.

The broken lines and areas within them depict portions of the car seat protector that form no part of the claimed design.

1 Claim, 8 Drawing Sheets

(56) **References Cited**
U.S. PATENT DOCUMENTS
1,560,742 A * 11/1925 Trumbull B60N 2/60
297/227
1,836,302 A * 12/1931 Bloomfield B60N 2/609
297/229
1,999,560 A * 4/1935 Brueckl B60N 2/60
297/331
2,791,956 A * 5/1957 Guest B60N 2/5628
454/120
4,396,227 A * 8/1983 Neilson B60N 2/609
297/229





FIG. 1

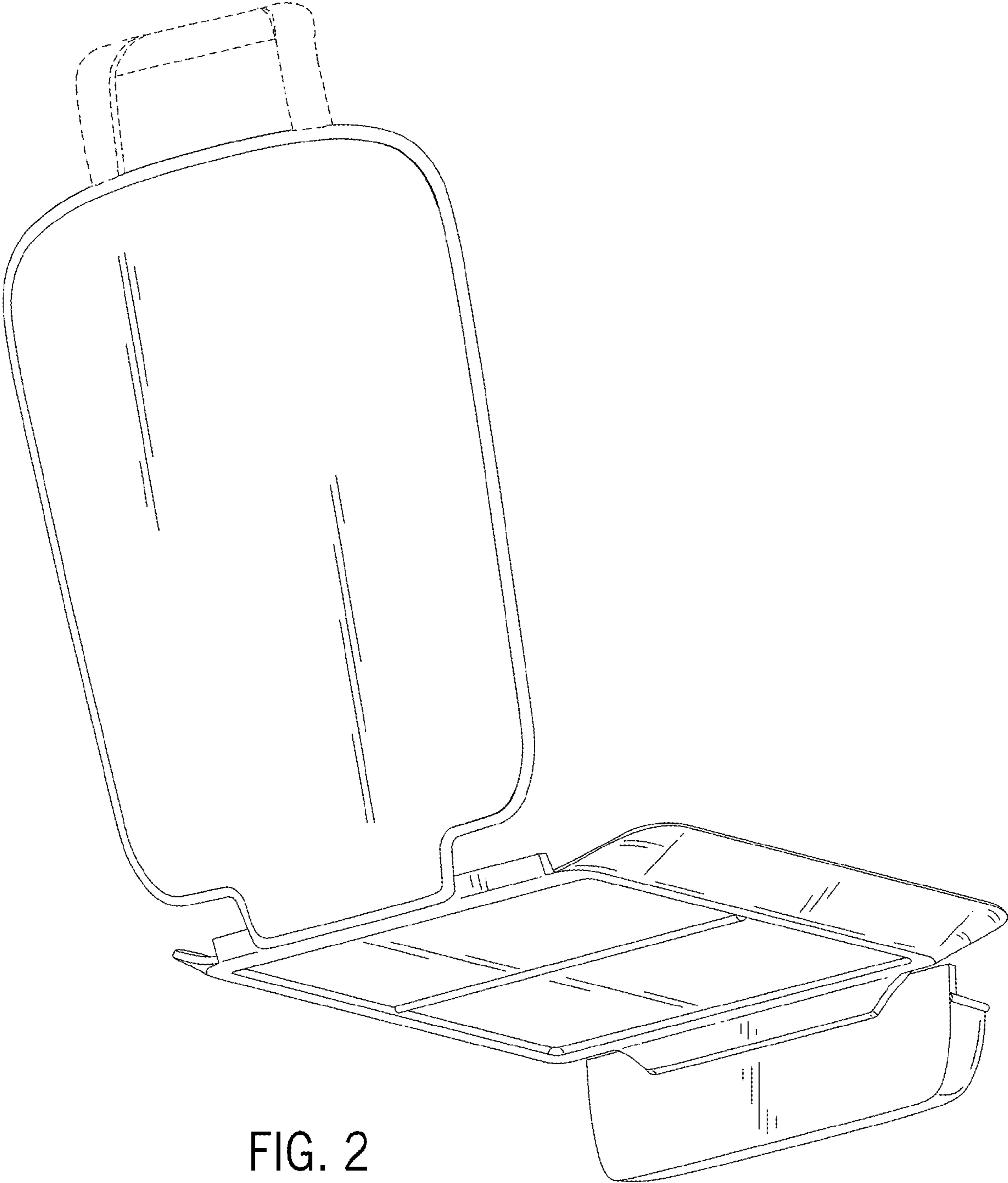


FIG. 2

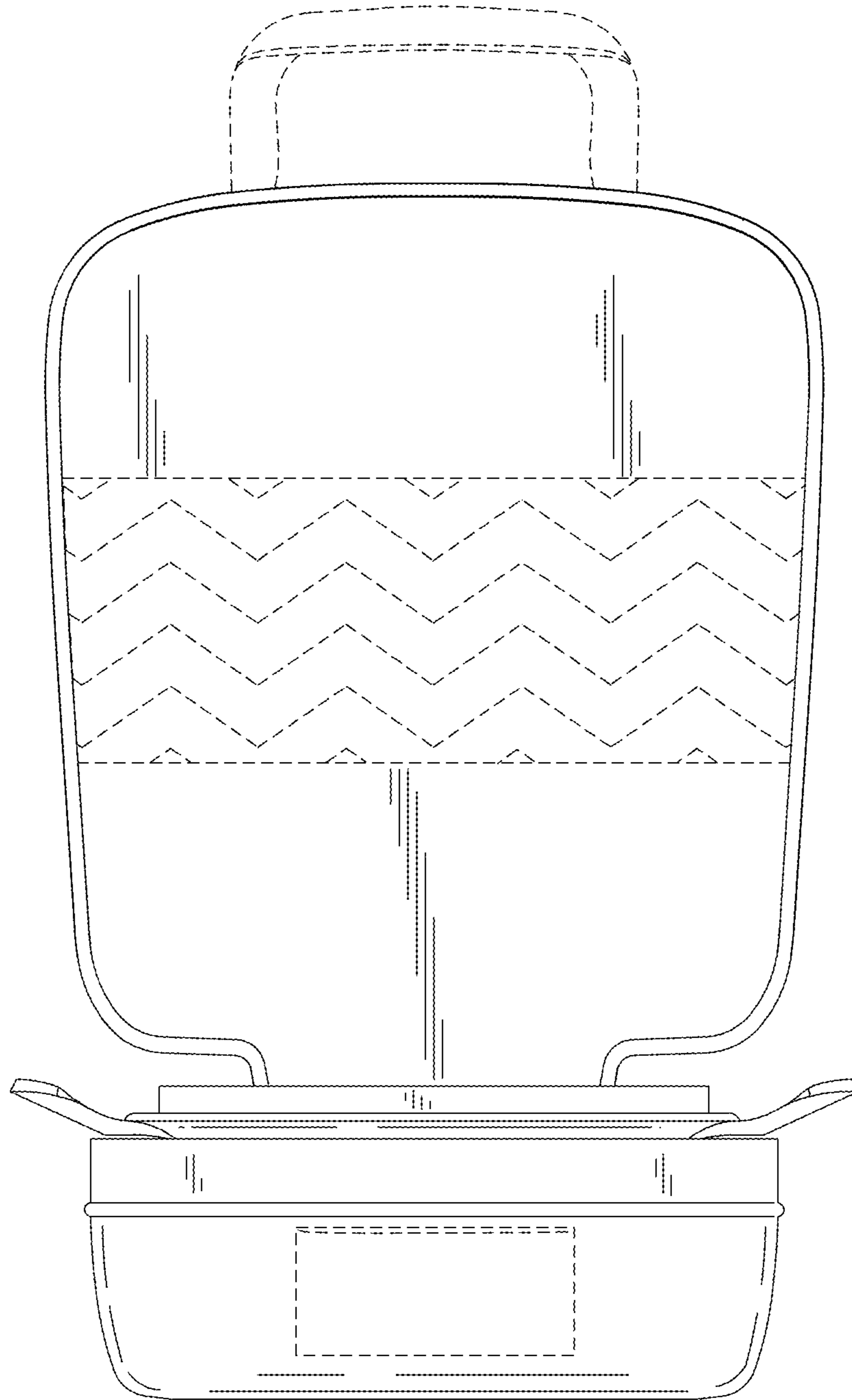


FIG. 3

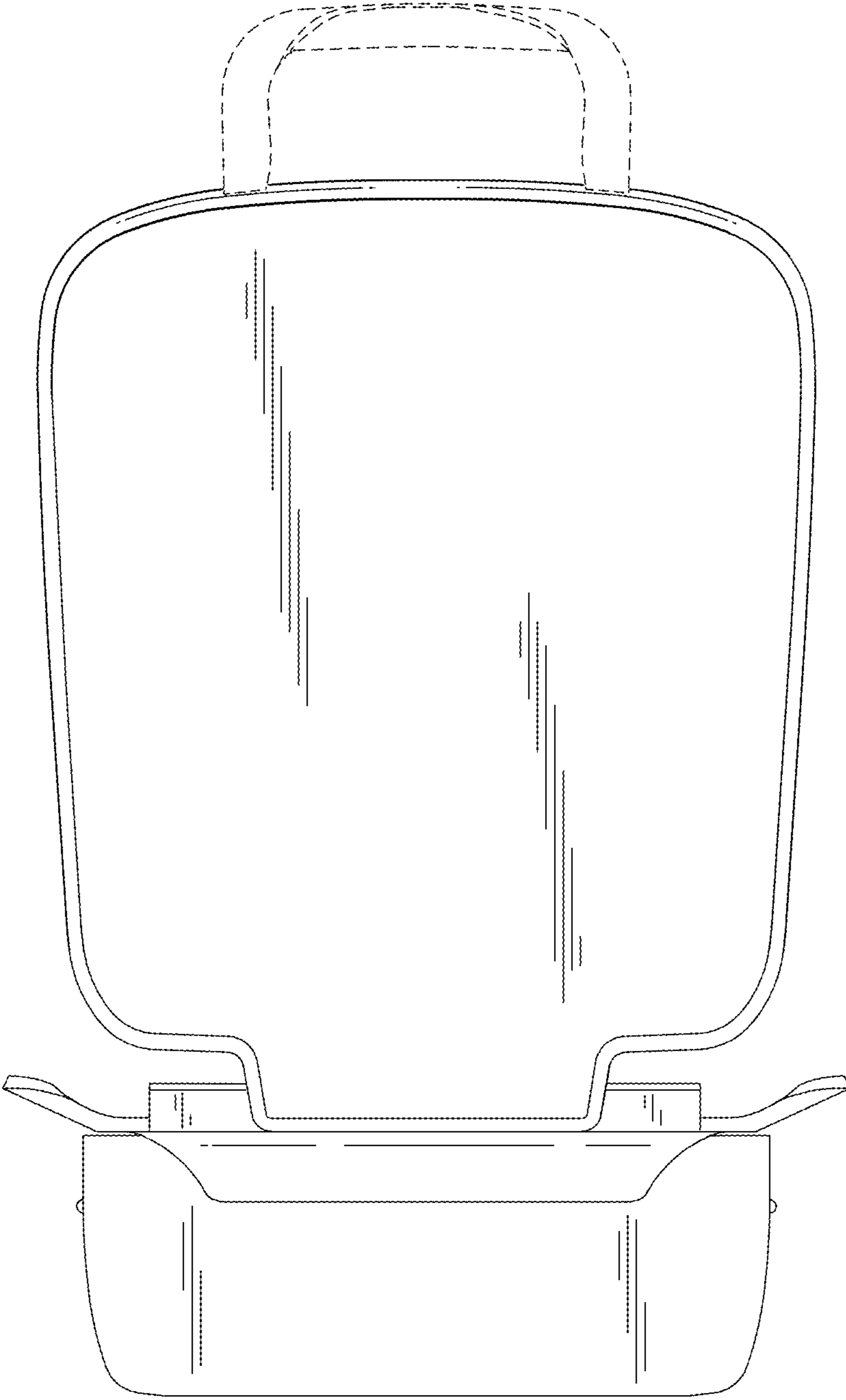
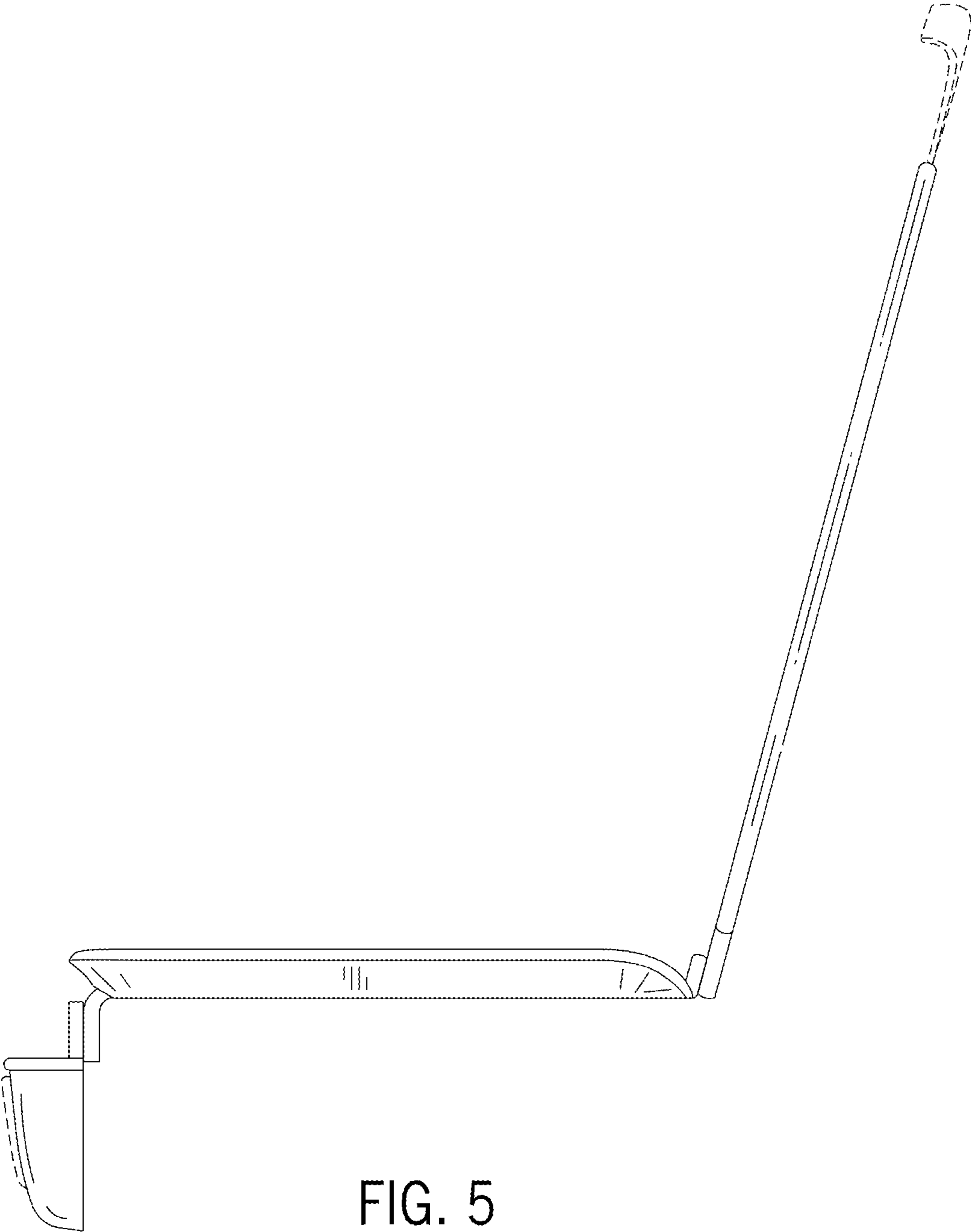


FIG. 4



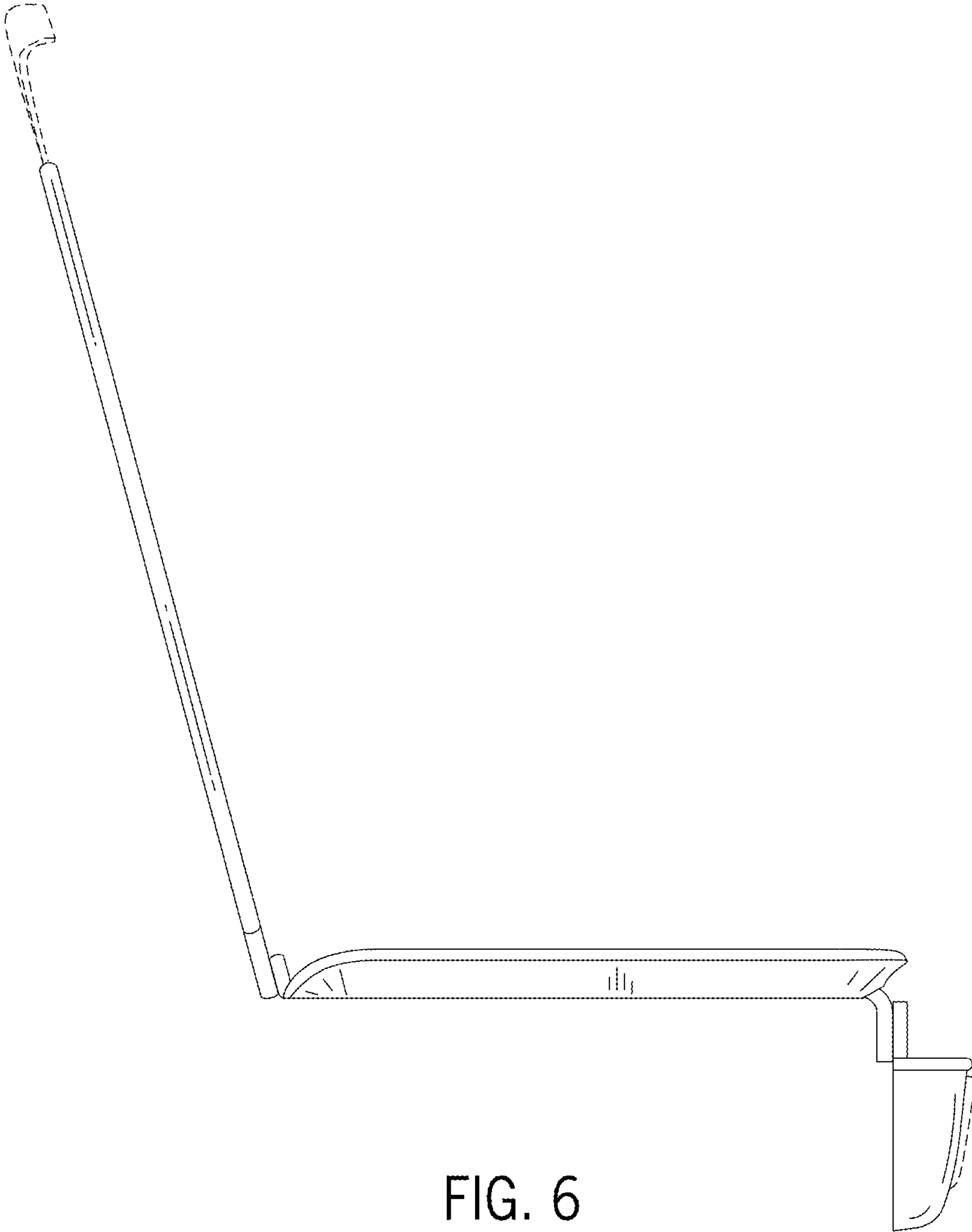


FIG. 6

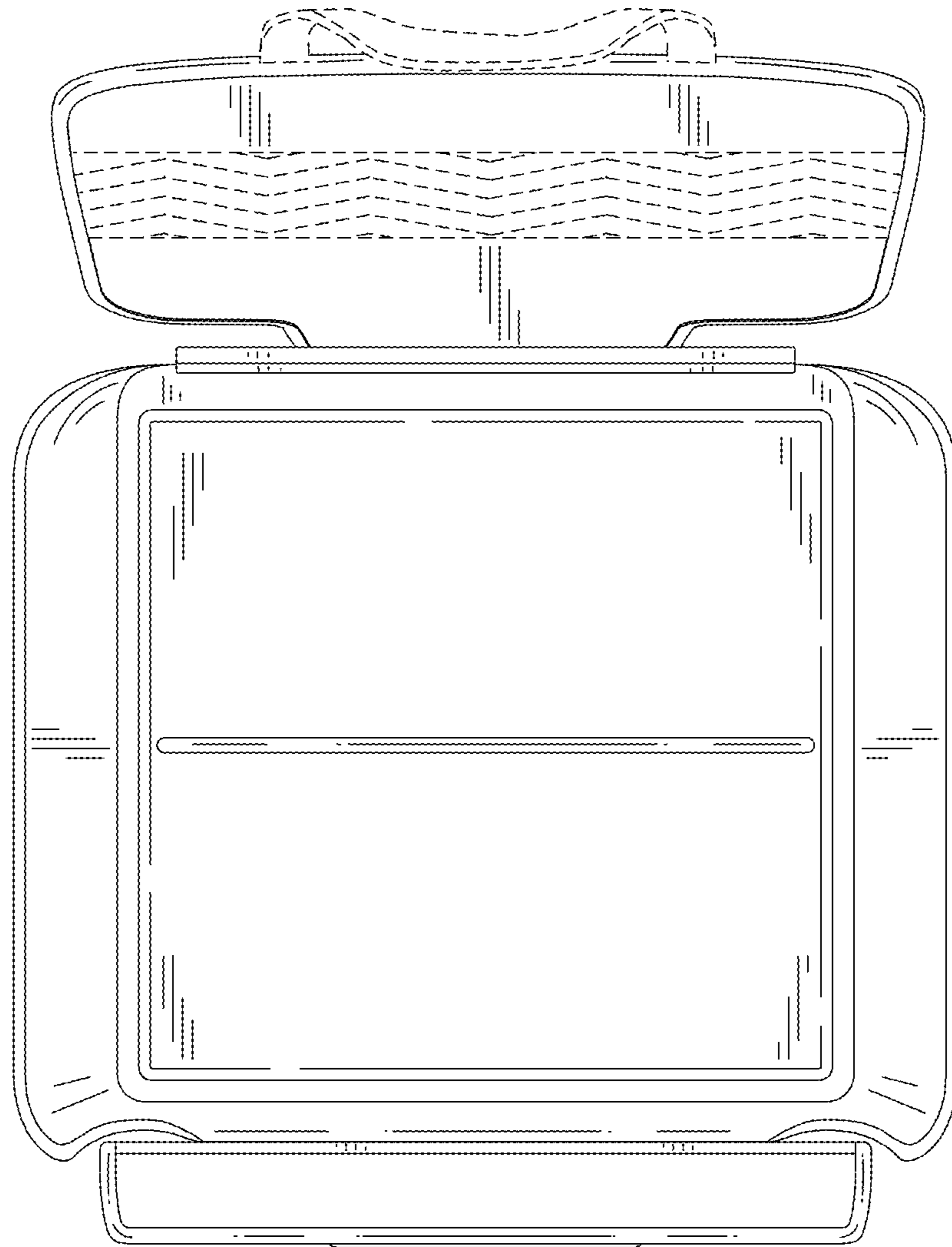


FIG. 7

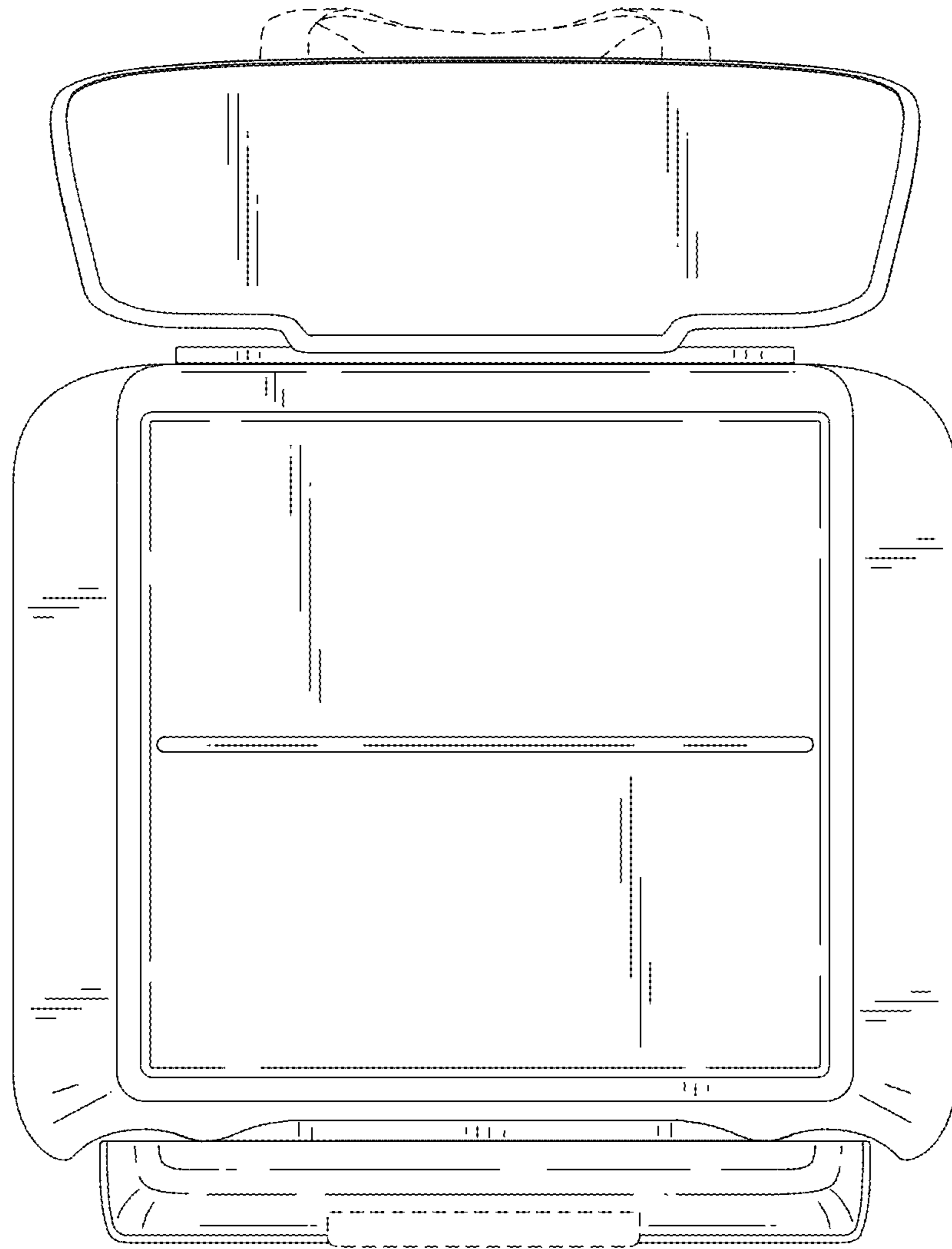


FIG. 8