



US00D978573S

(12) **United States Design Patent** (10) **Patent No.:** **US D978,573 S**
Tainaka et al. (45) **Date of Patent:** **** Feb. 21, 2023**

(54) **CORE FOR A PILLOW**
(71) Applicant: **NISHIKAWA Co., Ltd.**, Tokyo (JP)
(72) Inventors: **Seiji Tainaka**, Tokyo (JP); **Shinano Yamada**, Tokyo (JP)
(73) Assignee: **NISHIKAWA Co., Ltd.**, Tokyo (JP)
(**) Term: **15 Years**
(21) Appl. No.: **35/511,160**
(22) Filed: **Jul. 9, 2020**

(80) **Hague Agreement Data**
Int. Filing Date: **Jul. 9, 2020**
Int. Reg. No.: **DM/209731**
Int. Reg. Date: **Jul. 9, 2020**
Int. Reg. Pub. Date: **Jan. 15, 2021**

(30) **Foreign Application Priority Data**
Jan. 20, 2020 (JP) 2020-000842 D

(51) **LOC (14) Cl.** **06-09**
(52) **U.S. Cl.**
USPC **D6/601**

(58) **Field of Classification Search**
USPC D5/1, 2, 3, 4, 7, 27, 43, 44, 47, 51, 54, D5/55, 56, 57, 58, 59, 60, 61, 62, 63, 65,
(Continued)

(56) **References Cited**
U.S. PATENT DOCUMENTS
2,024,837 A * 12/1935 Singer A47C 27/05
5/261
3,188,665 A * 6/1965 Snyder A47C 27/15
297/3
(Continued)

OTHER PUBLICATIONS
Epabo Foam Pillow, Mar. 19, 2018, found on Nov. 20, 2021 at https://www.amazon.com/dp/B07BKVG42X/ref=sspa_dk_detail_2?pd_rd_w=JJw78&pf_rd_p=9fd3ea7c-b77c-42ac-b43b- (Year: 2018).*
(Continued)

Primary Examiner — Karen S Acker
(74) *Attorney, Agent, or Firm* — Sughrue Mion, PLLC

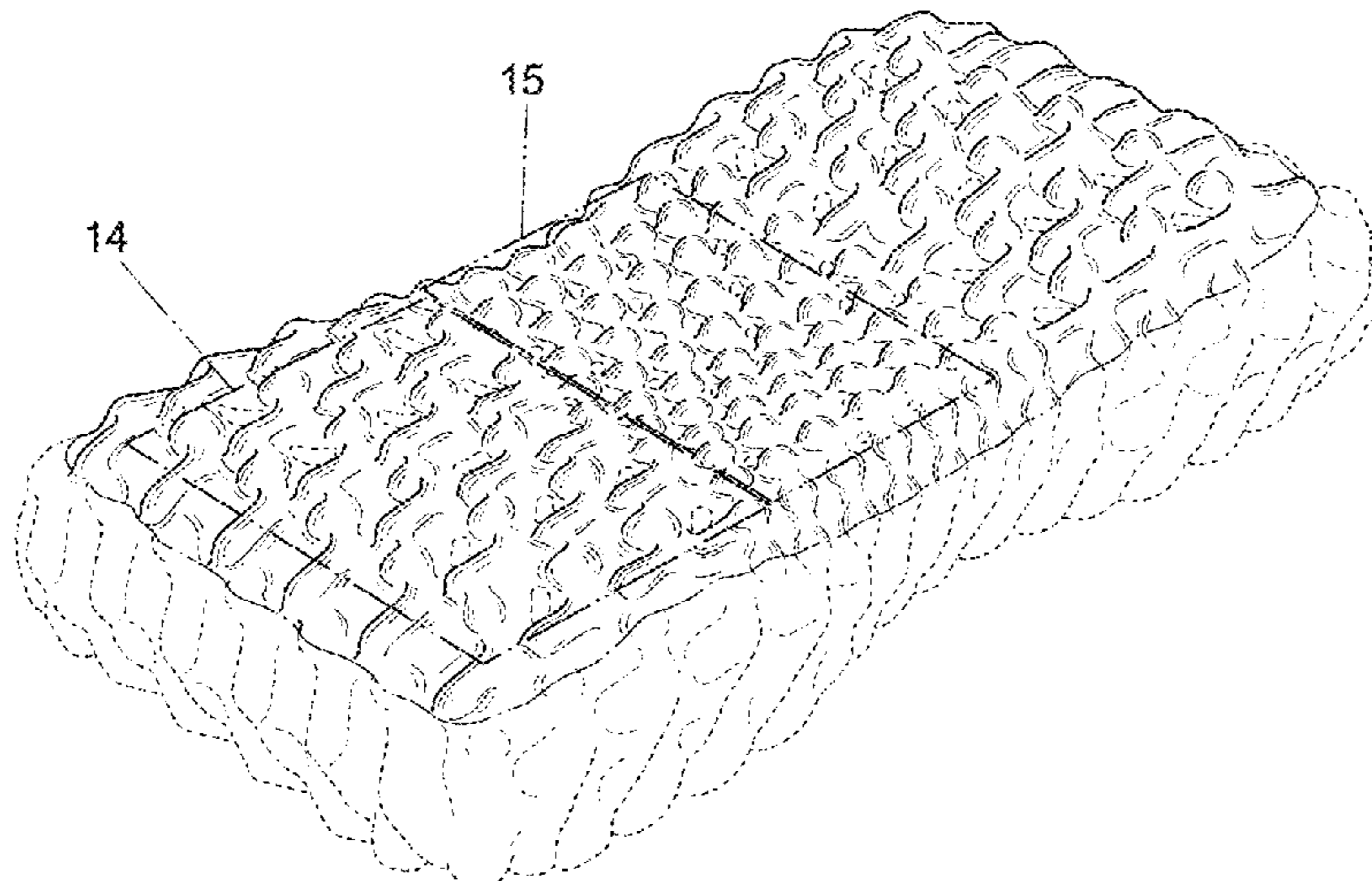
(57) **CLAIM**

The ornamental design for a core for a pillow, as shown and described.

DESCRIPTION

1. Core for a pillow
1.1 is a front view of a core for a pillow of the present invention;
1.2 is a back view thereof;
1.3 is a top plan view thereof;
1.4 is a bottom view thereof;
1.5 is a right side view thereof;
1.6 is a left side view thereof;
1.7 is a perspective view thereof;
1.8 is a cross-sectional view taken in the direction of line 8-8 in figure 1.3;
1.9 is a cross-sectional view taken in the direction of line 9-9 in figure 1.3;
1.10 is a cross-sectional view taken in the direction of line 10-10 in figure 1.3;
1.11 is a cross-sectional view taken in the direction of line 11-11 in figure 1.3;
1.12 is an enlarged detail view of area 12 within figure 1.3;
1.13 is an enlarged detail view of area 13 within figure 1.3;
1.14 is an enlarged detail view of area 14 within figure 1.7;
1.15 is an enlarged detail view of area 15 within figure 1.7.
The core for a pillow is intended to be used by attaching it to a pillow cover. The dot dash dot broken lines denote the boundaries of the claim and form no part thereof. The evenly spaced broken lines depict portions of the core for a pillow that form no part of the claimed design. Broken lines which indicate the boundaries of the detail areas form no part of the claimed design. The dot-dot-dash broken lines depict the limits of the enlarged detail views and form no part of the claimed design.

1 Claim, 15 Drawing Sheets



- (58) **Field of Classification Search**
 USPC D5/99; D6/592, 601, 602, 608, 610, 613,
 D6/621, 622, 603; D19/1, 5; D20/25,
 D20/28, 31; D21/333; D25/138, 149,
 D25/151; D32/40
 CPC B44F 3/00; B44F 7/00; D02G 3/22; D03D
 3/00; D03D 9/00; D06N 7/00; D21H 5/02
 See application file for complete search history.

(56) **References Cited**

U.S. PATENT DOCUMENTS

3,239,854 A * 3/1966 Freedlander A47G 9/10
 5/636
 4,021,871 A * 5/1977 Wortman A47C 27/00
 5/636
 4,320,543 A * 3/1982 Dixon A47G 9/1081
 5/636
 4,680,822 A * 7/1987 Fujino A61N 5/06
 5/482
 4,777,855 A * 10/1988 Cohen B29C 44/56
 5/636
 D317,236 S * 6/1991 Dixon A47G 9/007
 D6/601
 5,689,844 A * 11/1997 Liu A47G 9/10
 5/636
 D484,349 S * 12/2003 Fujita D6/601
 6,668,404 B2 * 12/2003 Lanteri A47G 9/10
 5/636
 D497,761 S * 11/2004 Martin D6/601
 6,912,944 B2 * 7/2005 Lucuta F41H 5/0414
 89/36.01
 D511,213 S * 11/2005 Hasegawa B68G 1/00
 D6/601
 D516,855 S * 3/2006 Akamatsu A47G 9/10
 D6/601
 D537,729 S * 3/2007 Owaku D6/601
 7,254,852 B2 * 8/2007 Martin A47G 9/10
 5/636
 D587,271 S * 2/2009 Johnson D14/439
 D618,029 S * 6/2010 Keefe D6/601
 8,276,226 B2 * 10/2012 Kim A47G 9/007
 5/636
 D677,506 S * 3/2013 Lai D6/601
 D691,830 S * 10/2013 Carroll D6/601
 D702,972 S * 4/2014 Busch B29C 44/56
 D6/601
 D707,059 S * 6/2014 Huang A47G 9/10
 D6/601

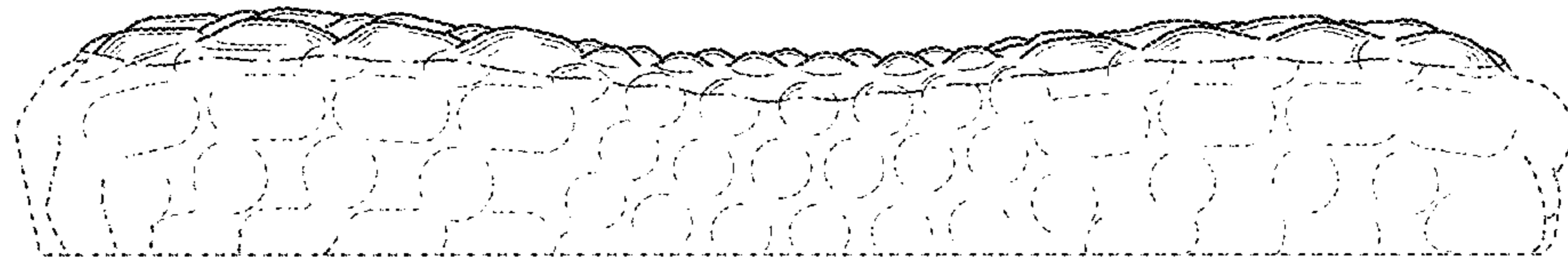
D713,970 S * 9/2014 Olofsson A47C 27/15
 D24/200
 D717,076 S * 11/2014 Drazin D6/601
 D759,404 S * 6/2016 Alletto, Jr. D6/601
 D763,450 S * 8/2016 Maus A47G 9/1081
 D24/184
 9,409,375 B2 * 8/2016 Abrahams B32B 5/26
 D818,290 S * 5/2018 Facco D6/601
 D867,021 S * 11/2019 Yang A47G 9/10
 D6/601
 D876,127 S * 2/2020 Park A47C 27/05
 D6/601
 10,694,874 B2 * 6/2020 Fulkerson A47G 9/1081
 D898,436 S * 10/2020 Li A47G 9/10
 D6/601
 D898,439 S * 10/2020 Luo A47G 9/10
 D6/601
 D933,398 S * 10/2021 Bellot D6/601
 D939,864 S * 1/2022 Wang D6/601
 2011/0061167 A1 * 3/2011 Farley A47G 9/10
 83/13
 2013/0291311 A1 * 11/2013 Wang A47G 27/0231
 5/724
 2021/0059441 A1 * 3/2021 Chavez B68G 1/00

OTHER PUBLICATIONS

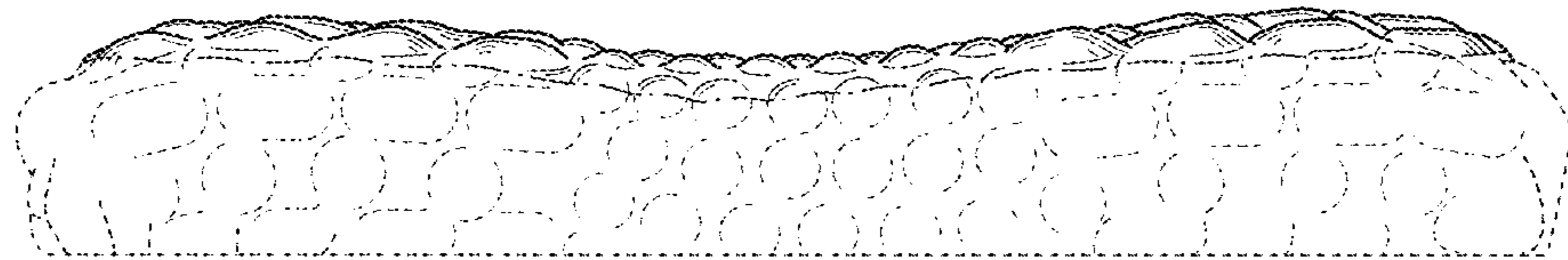
Pine and Zebra, Jun. 11, 2021, found on Nov. 20, 2021 at [https://www.amazon.com/PINE-ZEBRA-Cervical-Adjustable-Sleeping/dp/B0972P8SCL/ref=sr_1_3_sspa? \(Year: 2021\).](https://www.amazon.com/PINE-ZEBRA-Cervical-Adjustable-Sleeping/dp/B0972P8SCL/ref=sr_1_3_sspa? (Year: 2021).)*
 “Applicant’s Website featuring Applicant’s core for a pillow”, Available at: https://www.airsleep.jp/pdf/20191120_01.pdf, Nov. 20, 2019, 3 pages.
 “Applicant’s Website featuring Applicant’s core for a pillow”, Available at: <https://www.airsleep.jp/lineup/pillow.html>, Nov. 20, 2019, 3 pages.
 “Applicant’s Website featuring Applicant’s core for a pillow”, Available at: <https://www.nishikawasangyo.co.jp/categories/pillow/6356/>, Nov. 20, 2019, 5 pages.
 Applicant’s Website featuring Applicant’s core for a pillow, Available at: <https://shop.nishikawa1566.com/shop/g/EH90135078GR/>, Dec. 5, 2019, 3 pages.
 “Applicant’s Website featuring Applicant’s core for a pillow”, Available at: <https://shop.nishikawa1566.com/shop/g/EH90135078B/>, Dec. 5, 2019, 3 pages.
 Applicant’s Catalog “AiR Conditional Gear Lineup Catalog” on p. 18 featuring Applicant’s core for a pillow, Catalog “AiR Conditional Gear Lineup Catalog”, Nov. 27, 2019, p. 18 (2 pages).

* cited by examiner

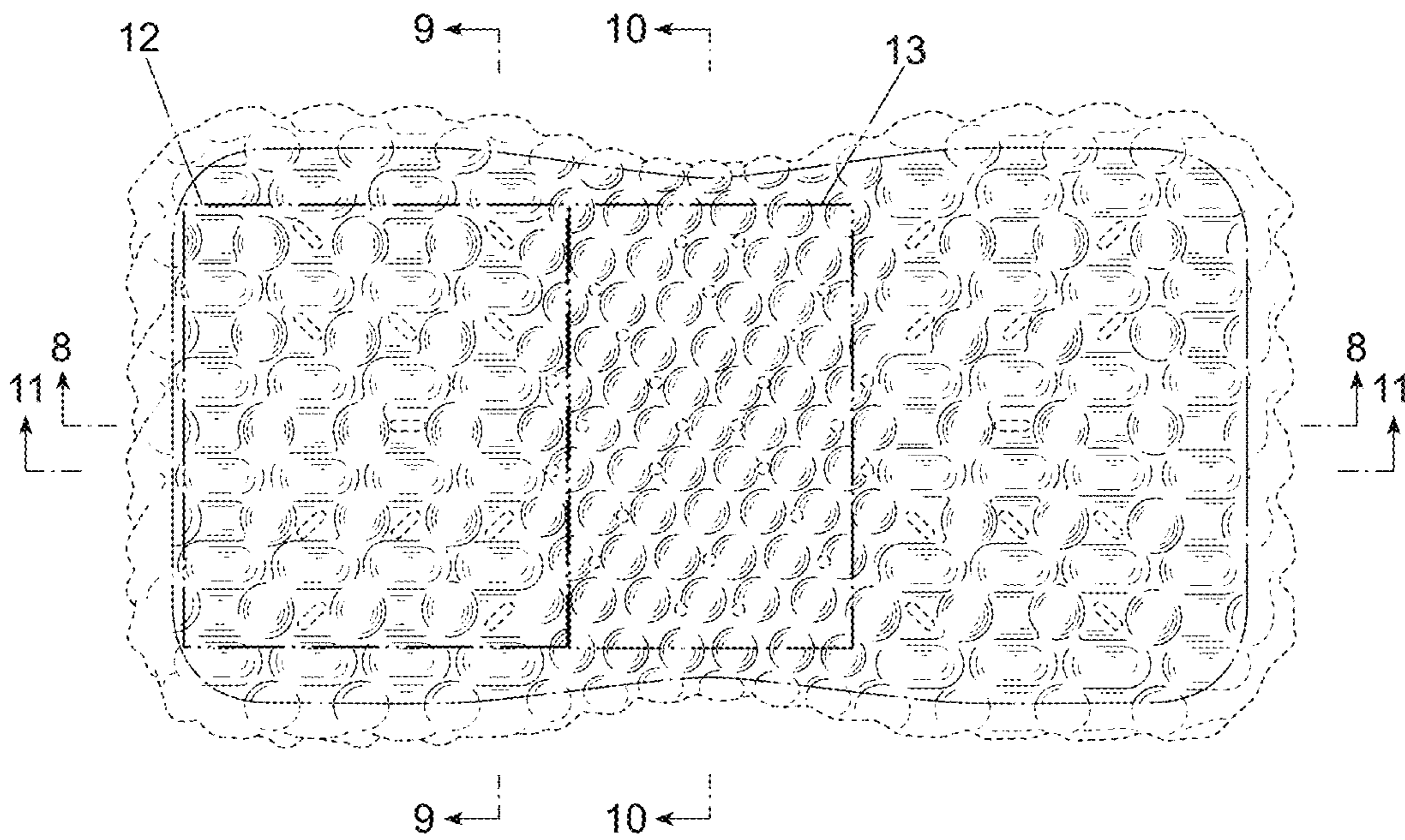
1.1



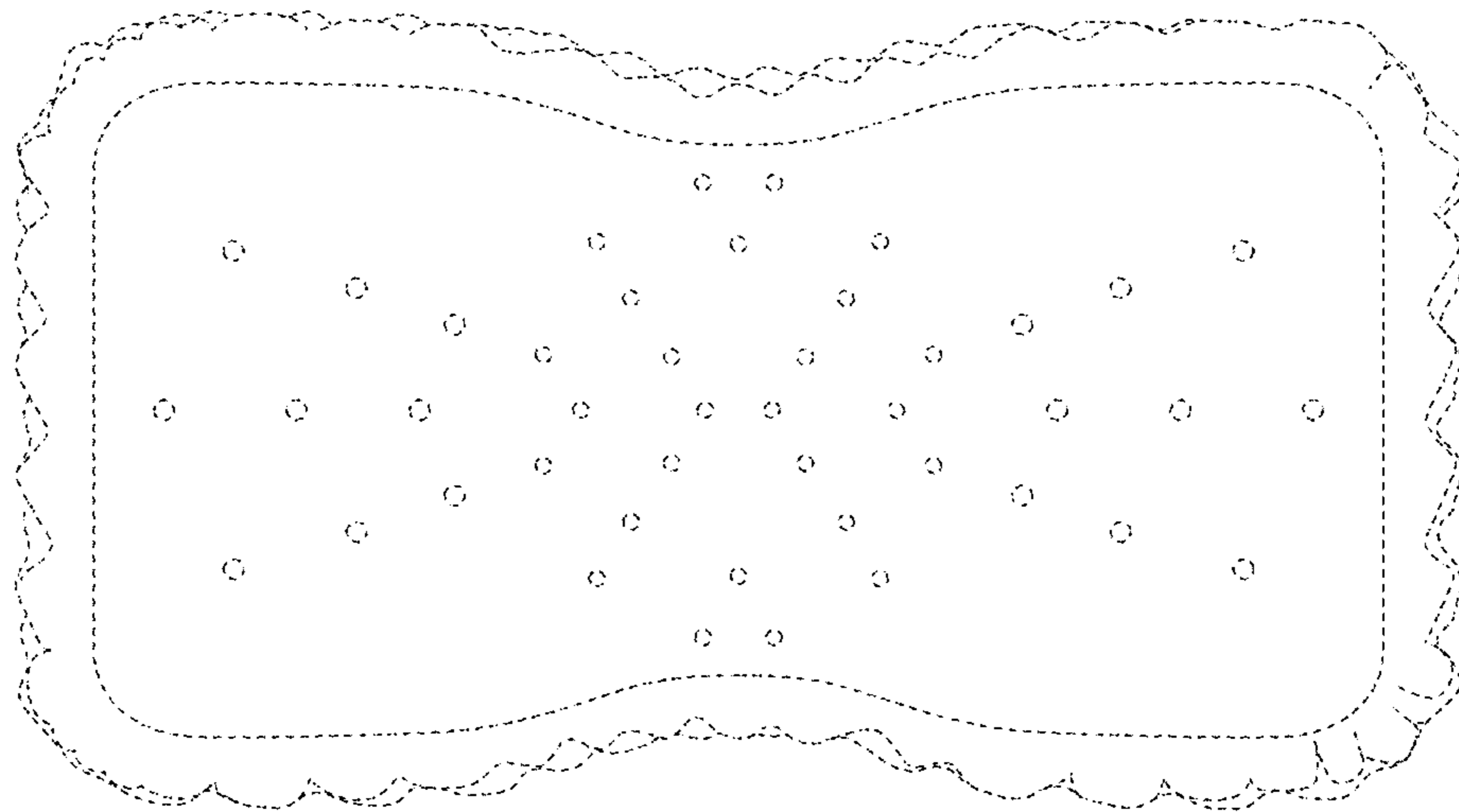
1.2



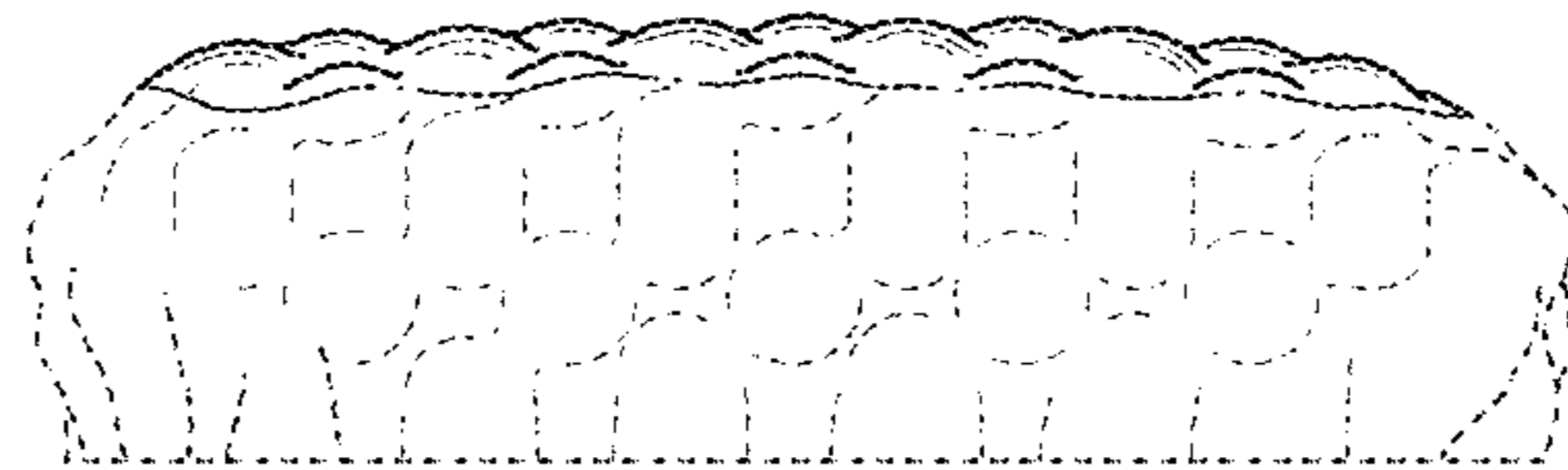
1.3



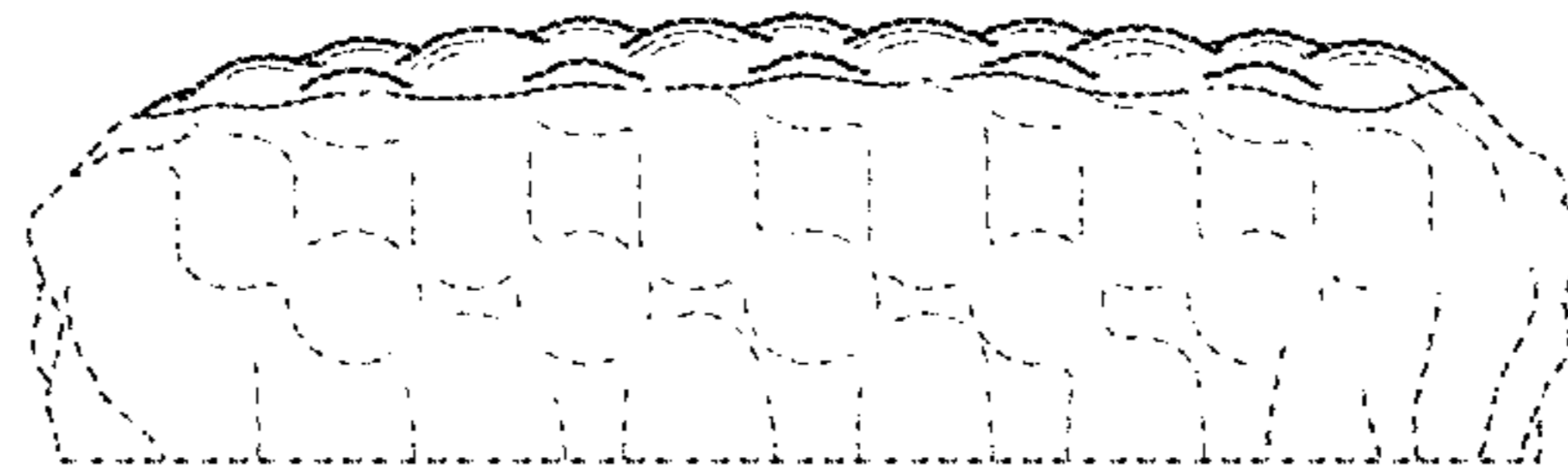
1.4



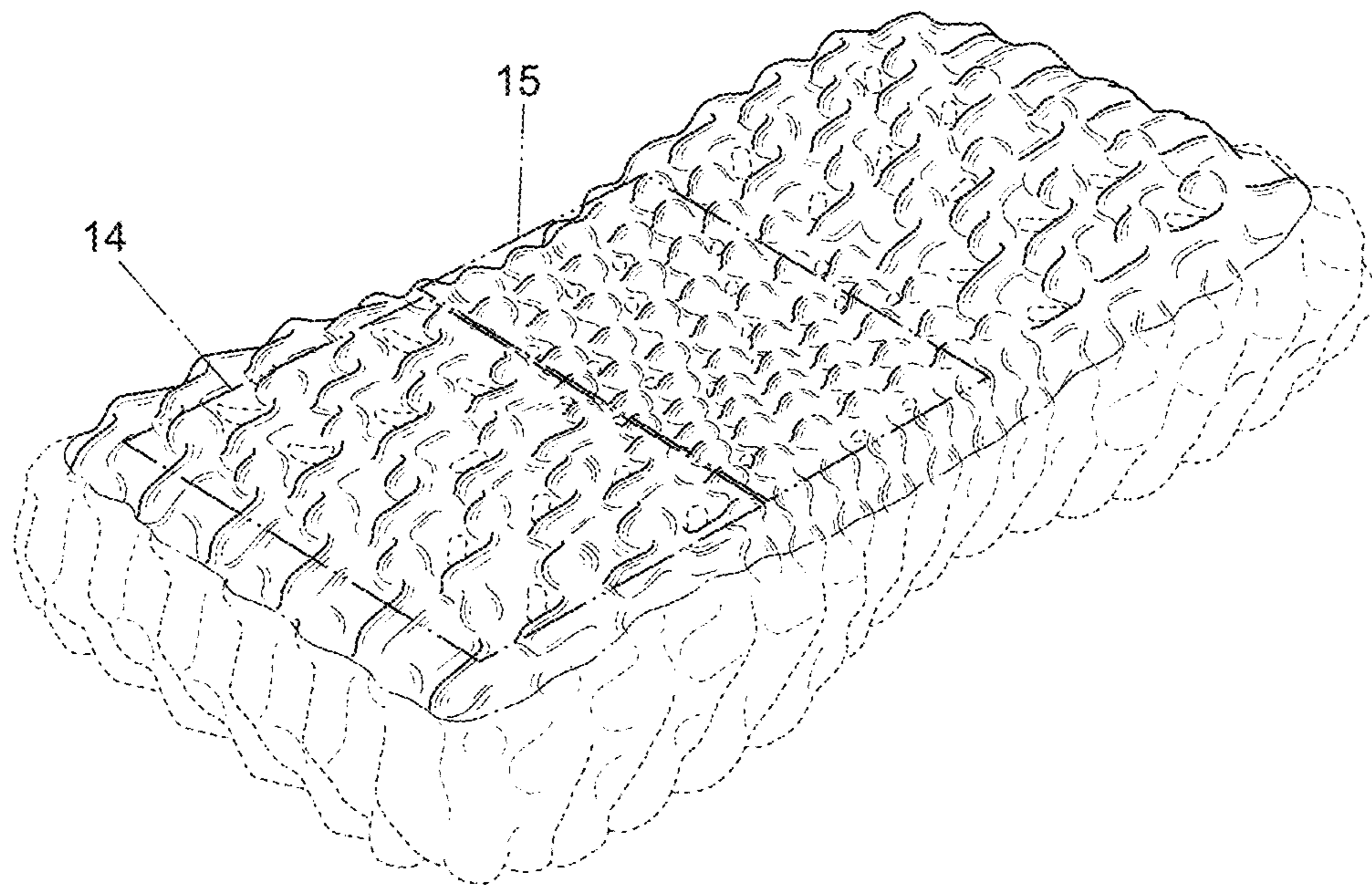
1.5



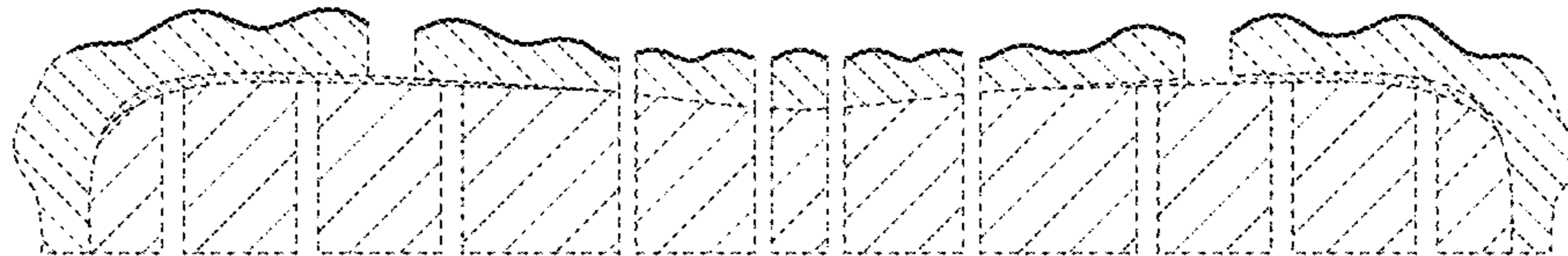
1.6



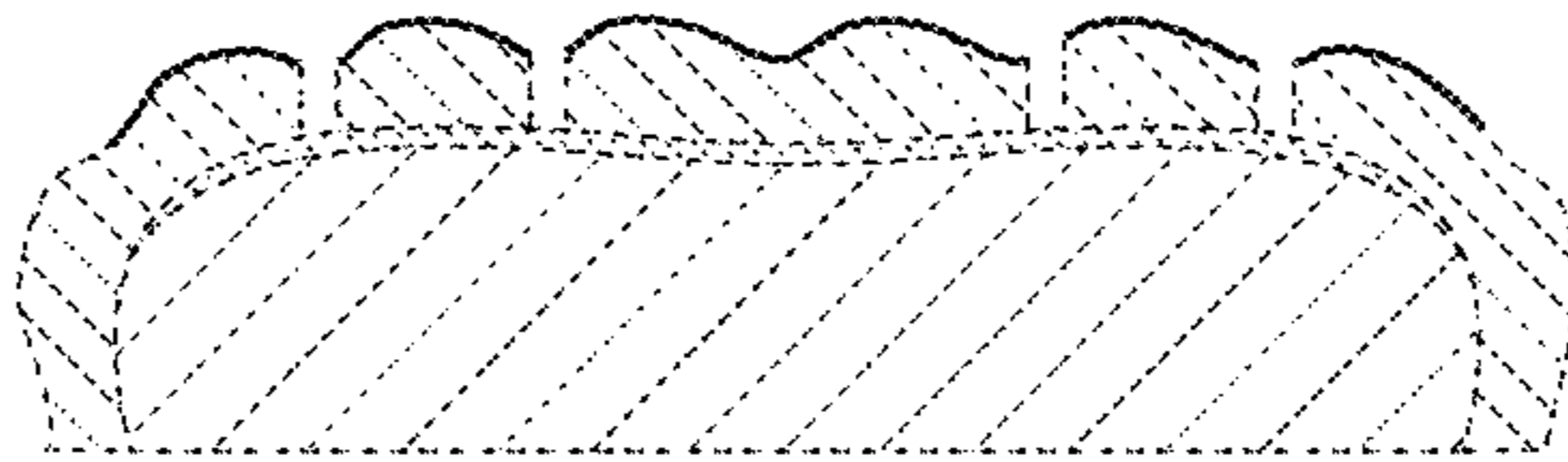
1.7



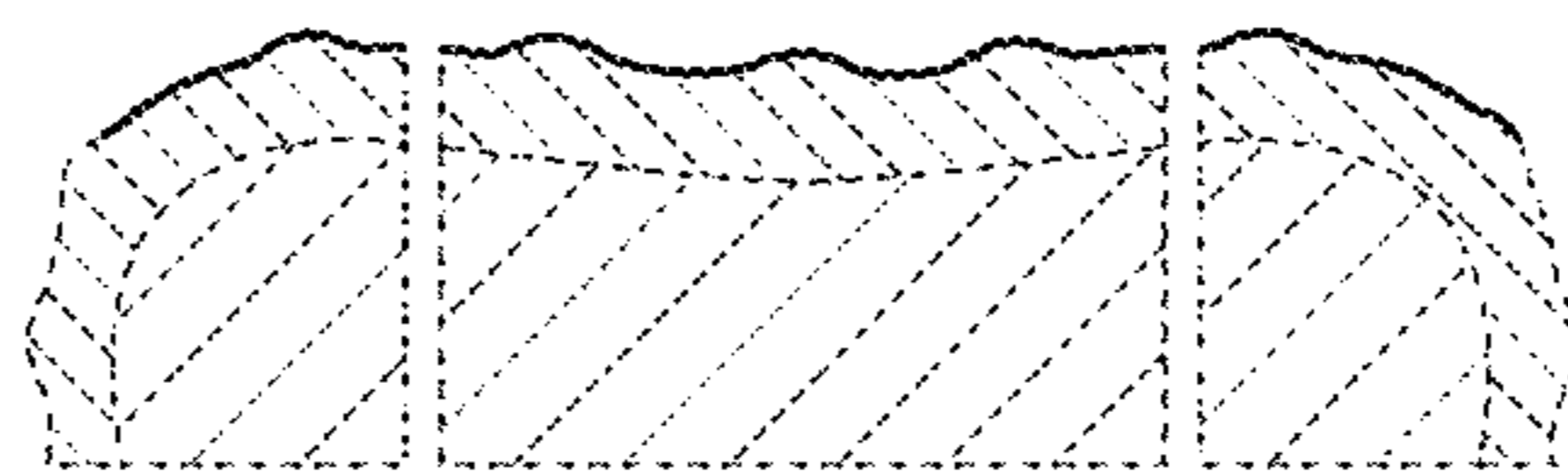
1.8



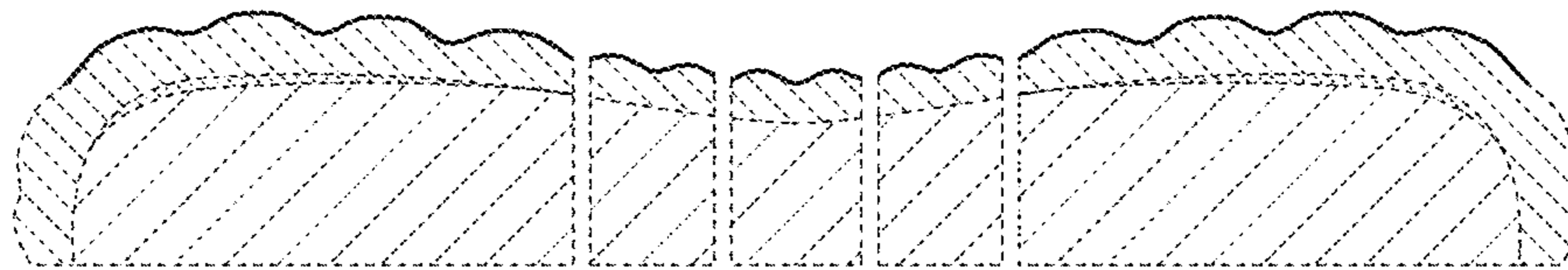
1.9



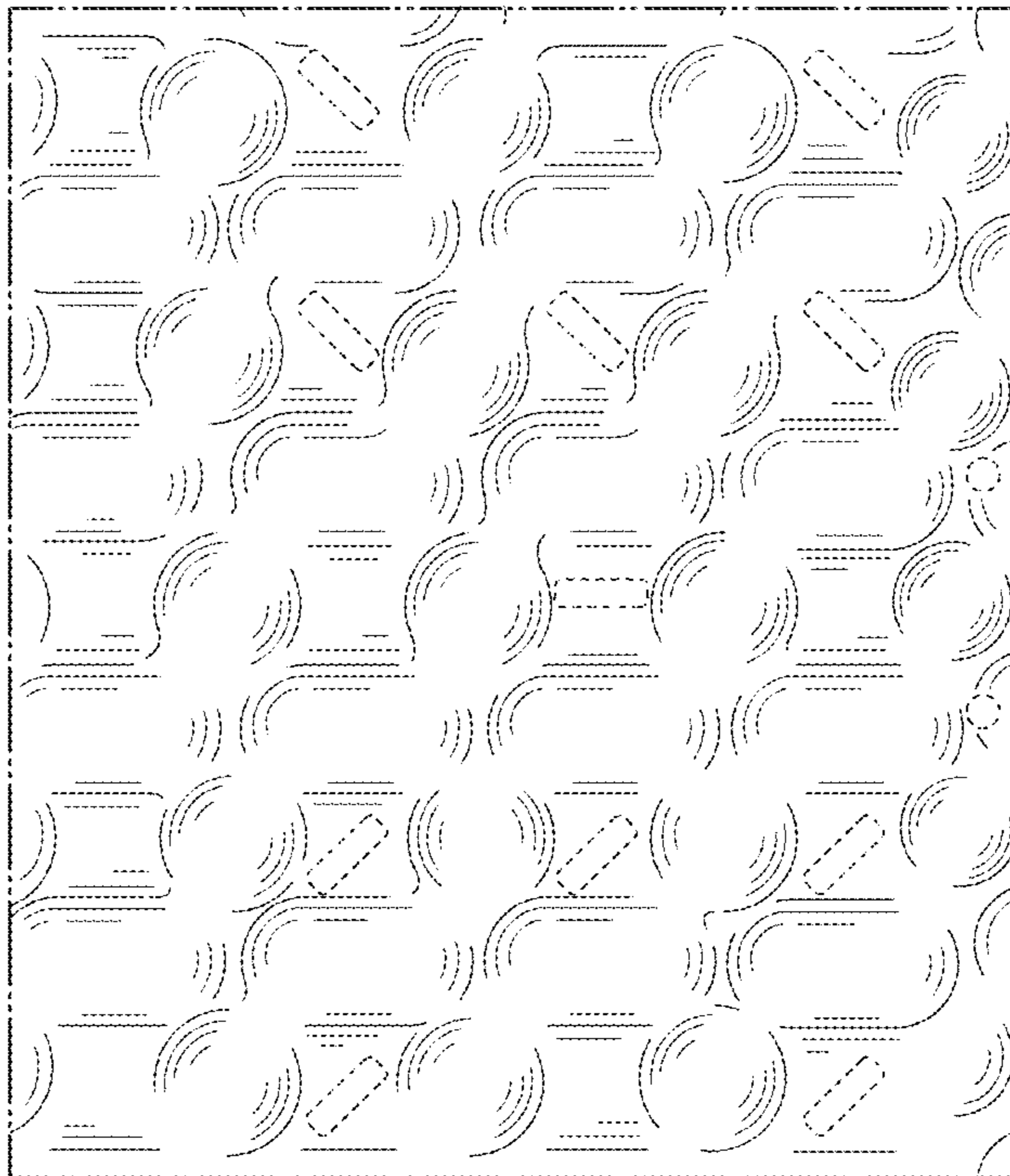
1.10



1.11



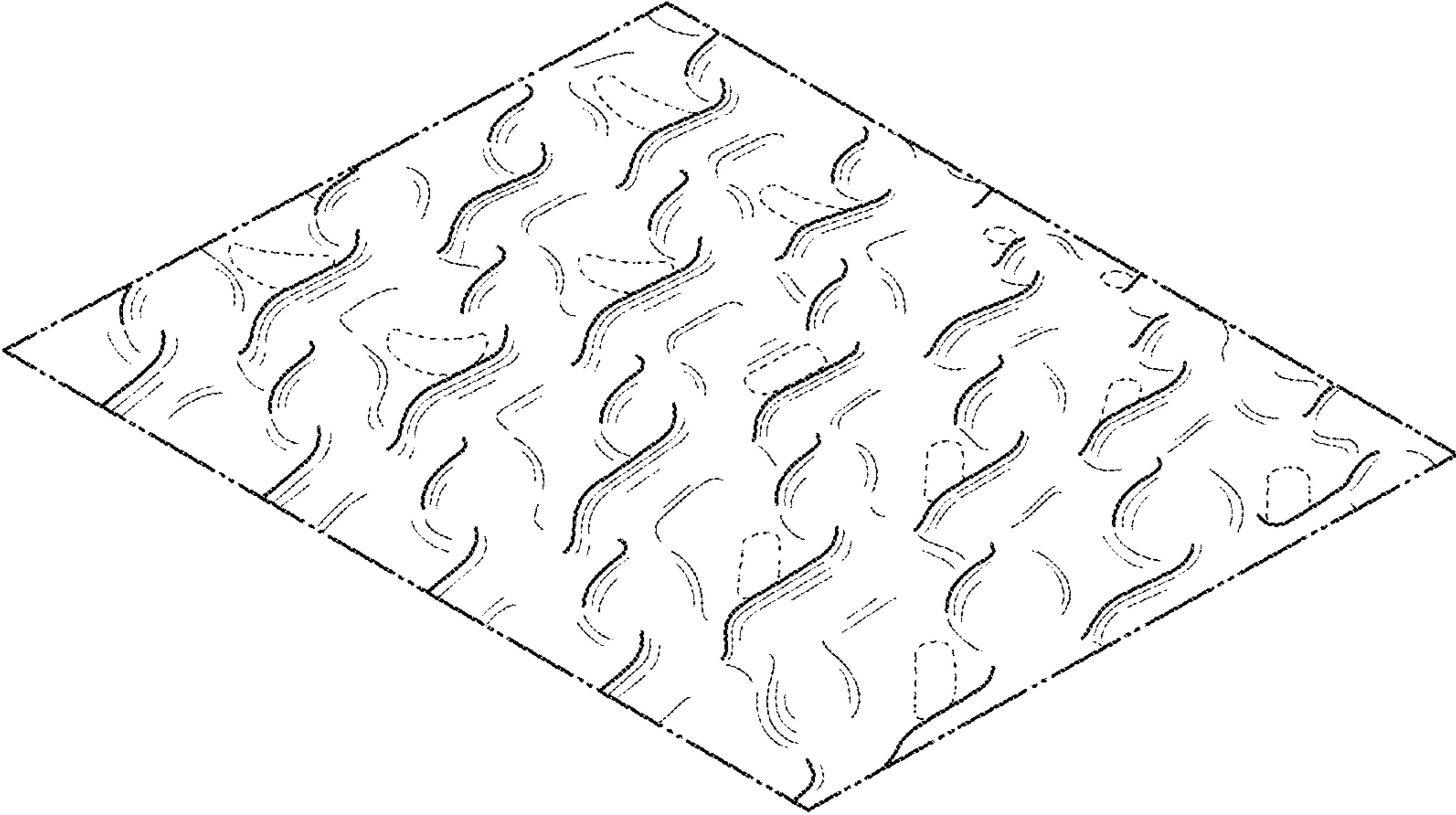
1.12



1.13



1.14



1.15

