



US00D978563S

(12) **United States Design Patent** (10) **Patent No.:** **US D978,563 S**
Lawrence (45) **Date of Patent:** **** Feb. 21, 2023**

- (54) **GAFF ROD HOLDER**
- (71) Applicant: **David Wayne Lawrence**, Hawthorne, FL (US)
- (72) Inventor: **David Wayne Lawrence**, Hawthorne, FL (US)
- (73) Assignee: **David Wayne Lawrence**, Hawthorne, FL (US)
- (**) Term: **15 Years**
- (21) Appl. No.: **29/757,103**
- (22) Filed: **Nov. 3, 2020**
- (51) **LOC (14) Cl.** **06-04**
- (52) **U.S. Cl.**
USPC **D6/552; D6/553**
- (58) **Field of Classification Search**
USPC D22/137-139, 147-148; D6/552-553; D12/406
CPC A01K 89/00; A01K 89/003; A01K 89/012; A01K 97/10; A01K 97/12; A01K 97/125; A01K 99/00
See application file for complete search history.

- D845,432 S * 4/2019 Christofferson D22/147
- D867,518 S * 11/2019 Wagner A01K 97/10
- D904,556 S * 12/2020 Cutler D22/147
- D908,452 S * 1/2021 Song D22/149
- D970,920 S * 11/2022 Graf D7/701
- D12/406

OTHER PUBLICATIONS

amazon.com/YHAspace-Fishing-Ceiling-Storage-Straight/dp/B09C9W7FS8/ref=sr_1_2?crd=3BNXXWWJ2Y8L4&keywords=YHAspace+fishing+rod+holder%2F+fishing+rod+rack+%2F+fishing+pole+holder+wall%2F+ceiling+mount%2C+hold+up+to+8+fising+rods+fishing+poles+storage+%26+display+%28straight++8+fishing+rod%29&qid=1669842844&spr+8+fishing+rod%29&qid=1669842844&prefix=yhaspace+fishing+rod+holder%2F+fishing+rod+rack+%2F+fishing+pole+holder+wall%2F+ceiling+mount%2C+hold+up+to+8+fising+rods+fishing+poles+storage+%26+display+straight++8+fishing+rod+%2Caps%2C63&sr=8-2 (Year: 2021).*

* cited by examiner

Primary Examiner — Catherine R Oliver-Garcia

(57) **CLAIM**

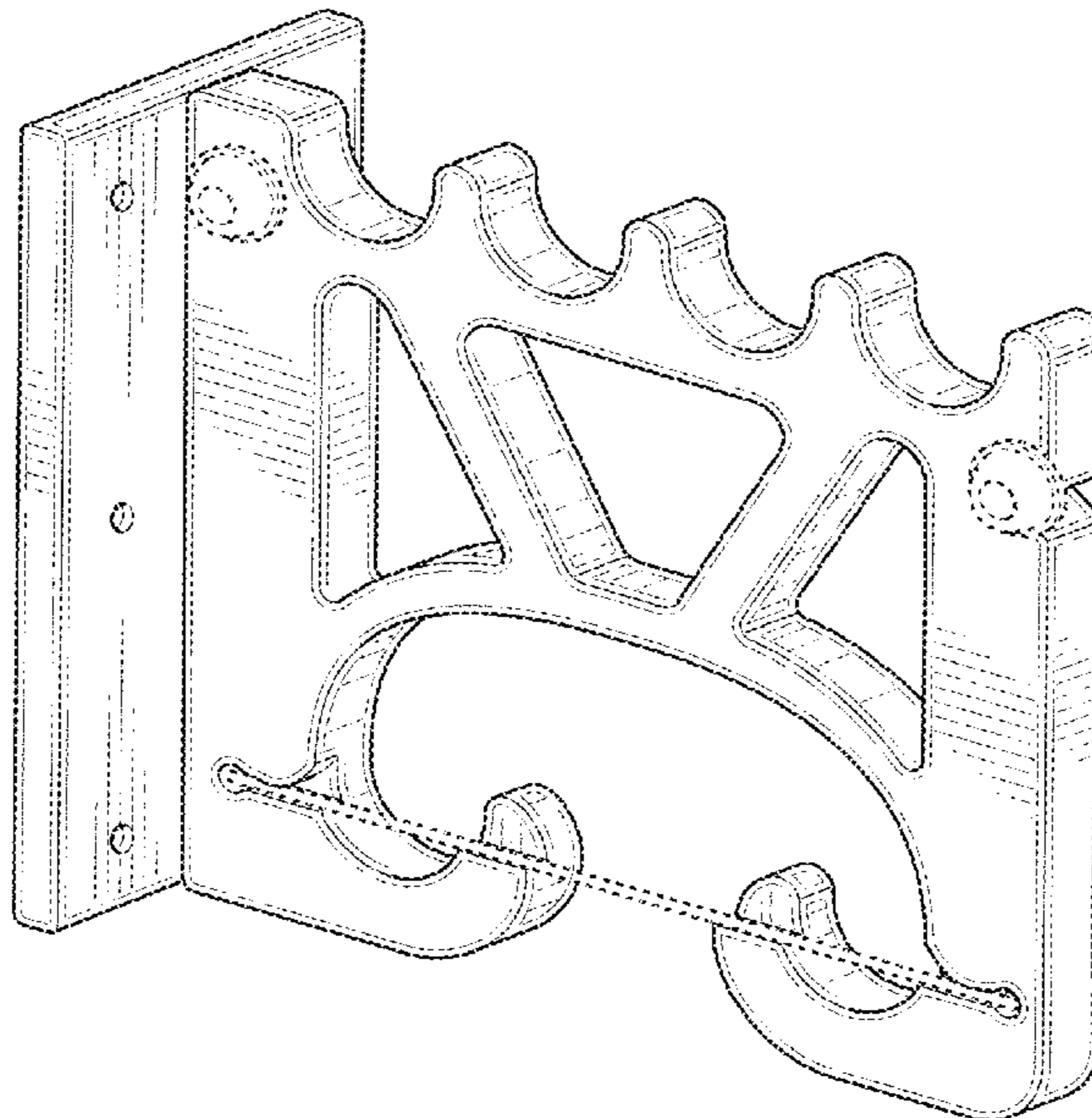
The ornamental design for a gaff rod holder, as shown and described.

DESCRIPTION

FIG. 1 is the top perspective view of the gaff rod holder of the instant invention.
FIG. 2 is the left side elevation view thereof.
FIG. 3 is the right side elevation view thereof.
FIG. 4 is a front elevation view thereof;
FIG. 5 is a rear elevation view thereof;
FIG. 6 is a top plan view thereof; and,
FIG. 7 is a bottom plan view thereof.
The broken line showing of the securing mechanisms is included for the purpose of illustrating only and forms no part of the claimed design.

1 Claim, 4 Drawing Sheets

- (56) **References Cited**
- U.S. PATENT DOCUMENTS
- D225,706 S * 1/1973 McCollum D6/552
- 3,731,817 A * 5/1973 Fowlkes A47F 5/08
- 211/94.02
- D272,785 S * 2/1984 Rumbaugh D6/552
- D303,192 S * 9/1989 Bogar, III D6/552
- 5,913,673 A * 6/1999 Womac A01K 97/10
- 43/21.2
- D491,999 S * 6/2004 Scott D22/142
- 6,862,835 B1 * 3/2005 Connors A01K 97/10
- 43/21.2
- D732,138 S * 6/2015 Wooley D22/147



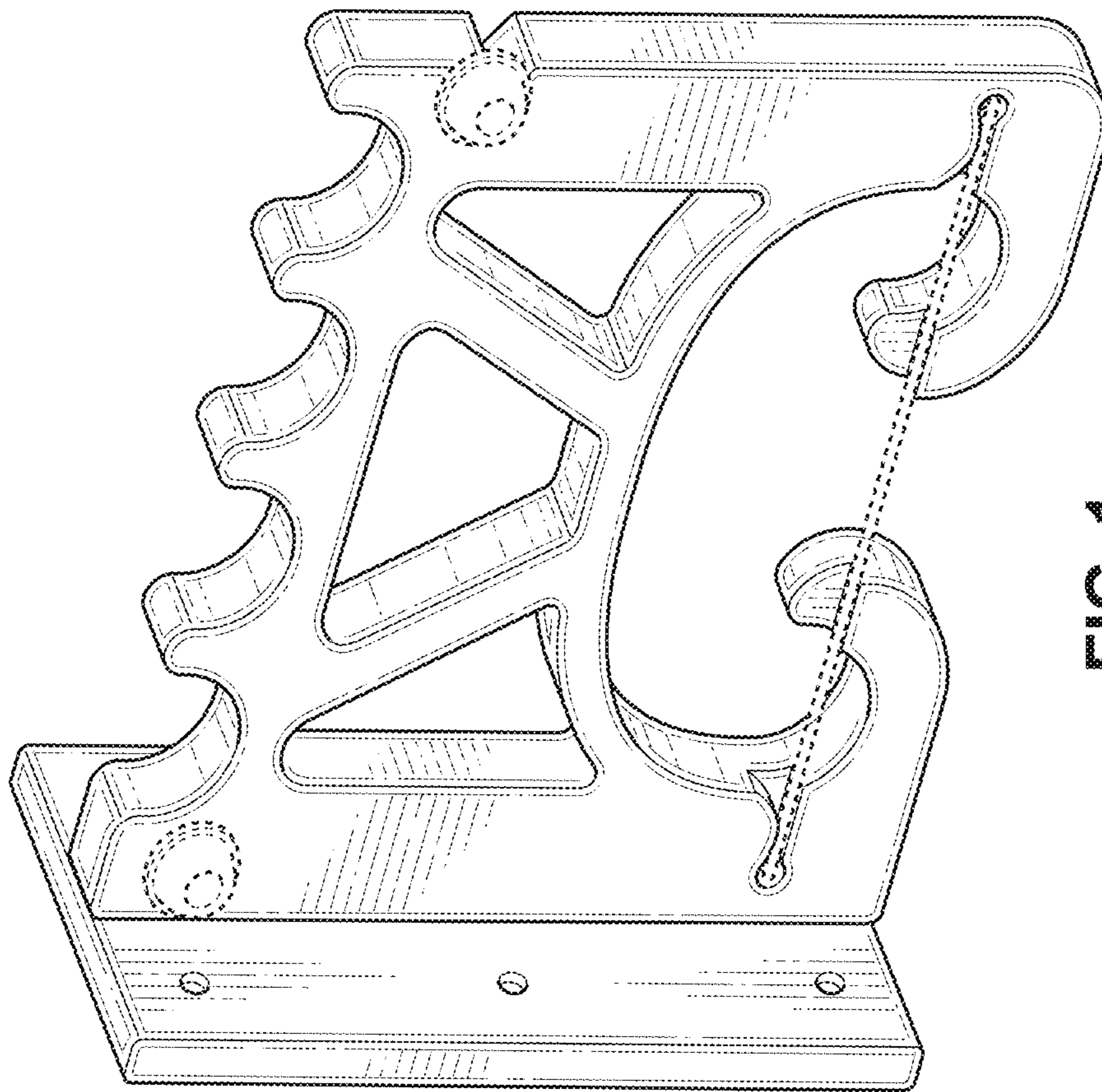


FIG. 1

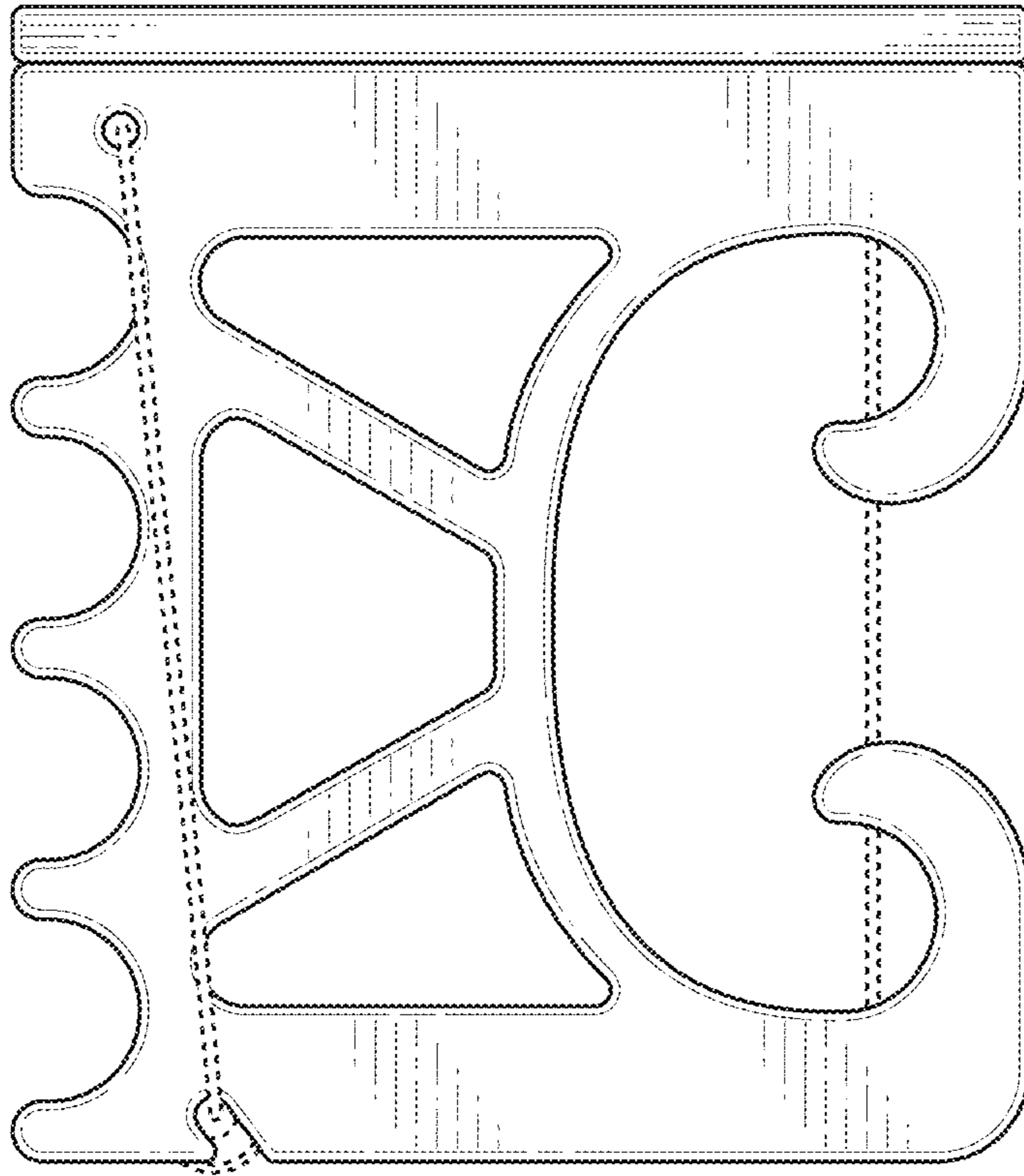


FIG. 3

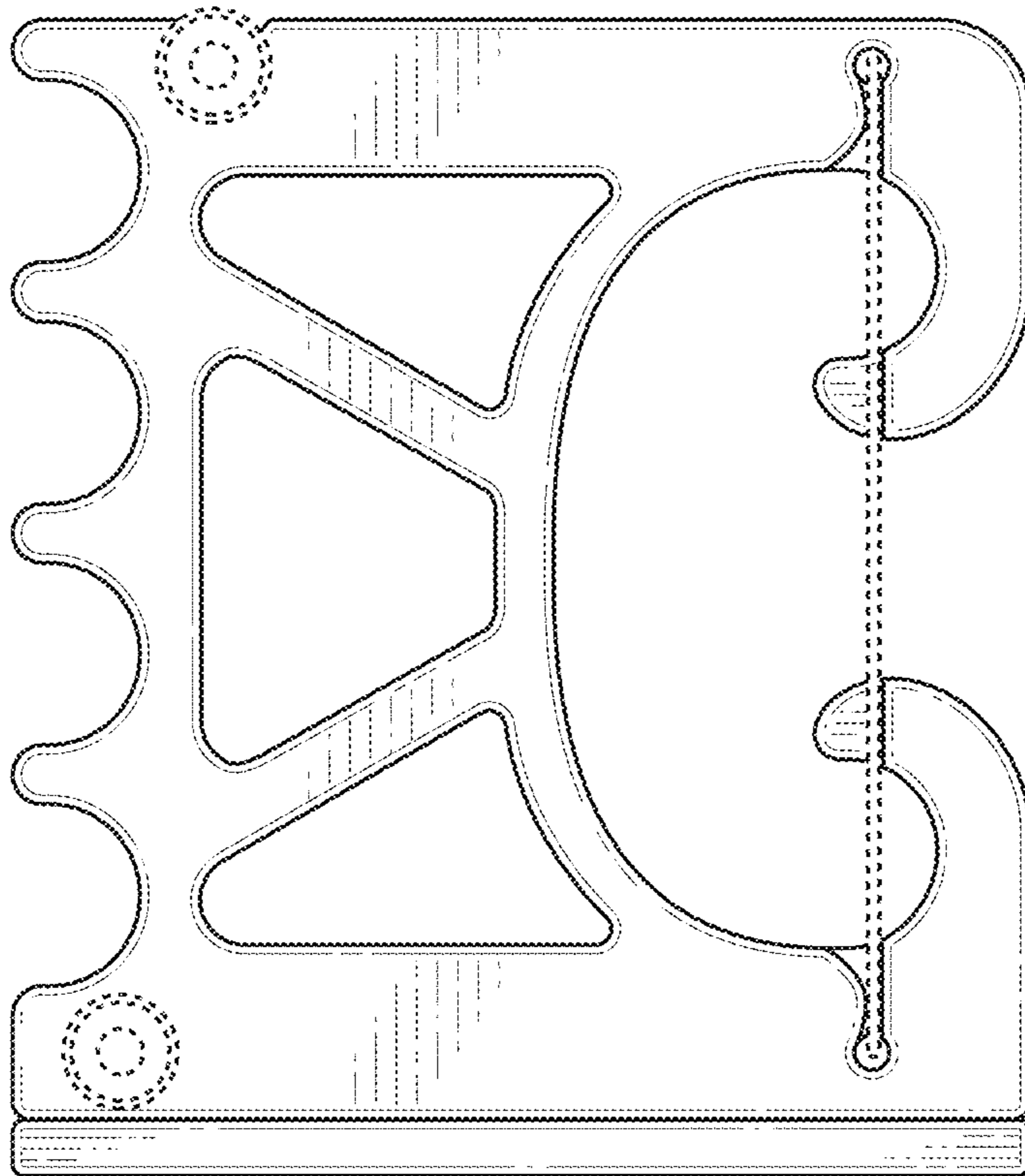


FIG. 2

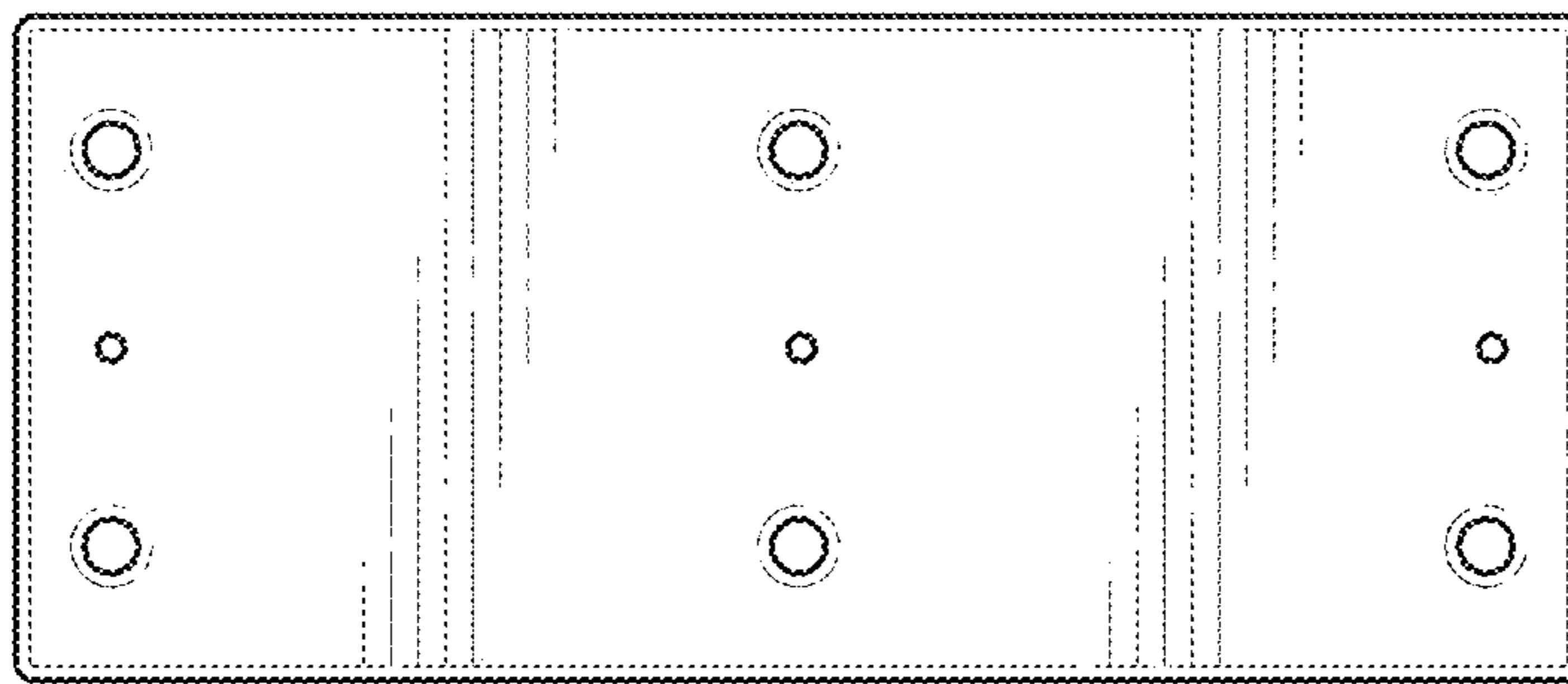


FIG. 5

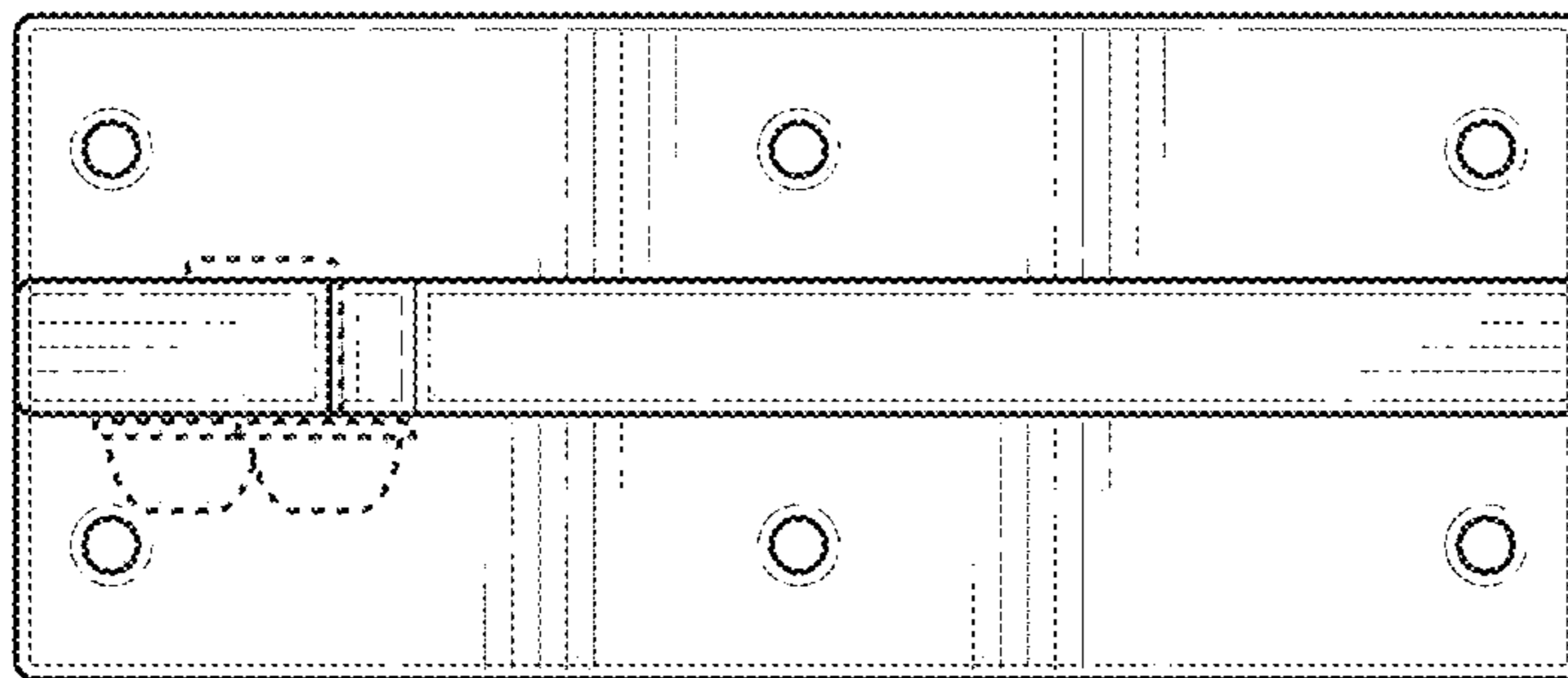


FIG. 4

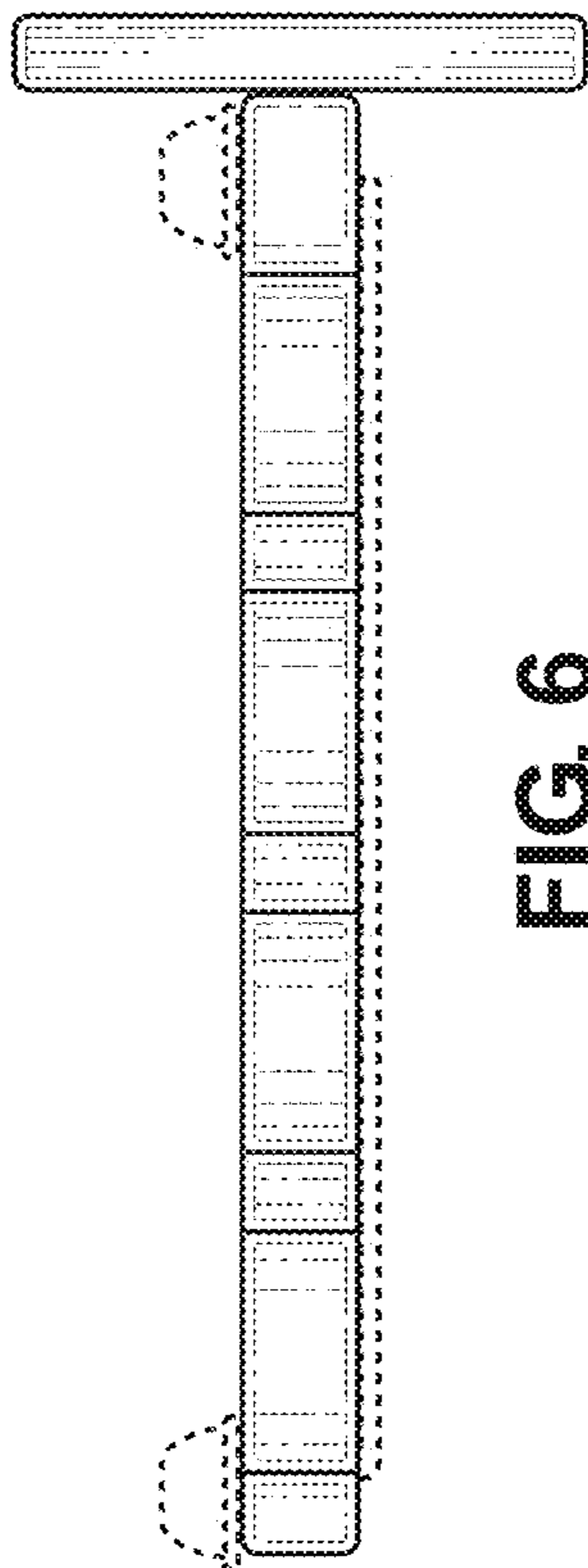


FIG. 6

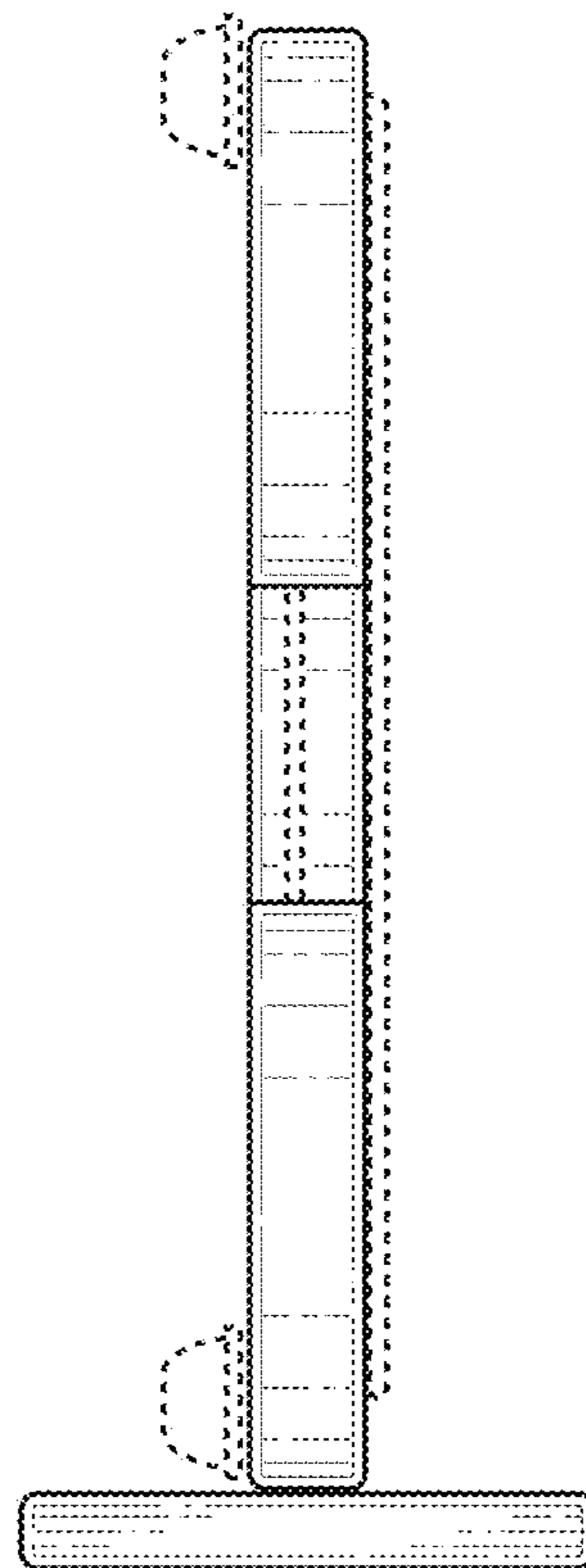


FIG. 7