



US00D978561S

(12) **United States Design Patent** (10) **Patent No.:** **US D978,561 S**
Elliott (45) **Date of Patent:** **** Feb. 21, 2023**

(54) **TOWEL HANDLE**
(71) Applicant: **Kenney Manufacturing Company**,
Warwick, RI (US)
(72) Inventor: **Timothy Elliott**, Attleboro, MA (US)
(73) Assignee: **Kenney Manufacturing Company**,
Warwick, RI (US)
(**) Term: **15 Years**
(21) Appl. No.: **29/754,031**
(22) Filed: **Oct. 6, 2020**
(51) **LOC (14) Cl.** **23-08**
(52) **U.S. Cl.**
USPC **D6/548**
(58) **Field of Classification Search**
USPC D6/512, 513, 515, 518, 521, 522, 523,
D6/524, 546, 547, 548, 549, 550, 553,
D6/675.2, 566, 567; D8/315, 316, 319,
D8/320; D23/303, 304; 211/16, 88.04,
211/105.1, 6, 45, 89.01, 100; 248/251,
248/309.1
CPC A47B 47/0058; A47B 96/027
See application file for complete search history.

D576,435 S * 9/2008 Snell D6/513
D579,248 S * 10/2008 Goodman D6/513
D582,708 S * 12/2008 Goodman D6/513
D764,207 S * 8/2016 Goodman D6/522
D788,489 S * 6/2017 Goodman D6/546

FOREIGN PATENT DOCUMENTS

CN 303566145 * 1/2016
CN 305690253 * 4/2020

* cited by examiner

Primary Examiner — Marie D. Fast Horse
Assistant Examiner — Jennifer Sierra Yosinski
(74) *Attorney, Agent, or Firm* — Adler Pollock &
Sheehan P.C.

(57) **CLAIM**

The ornamental design for a towel handle, as shown and described.

DESCRIPTION

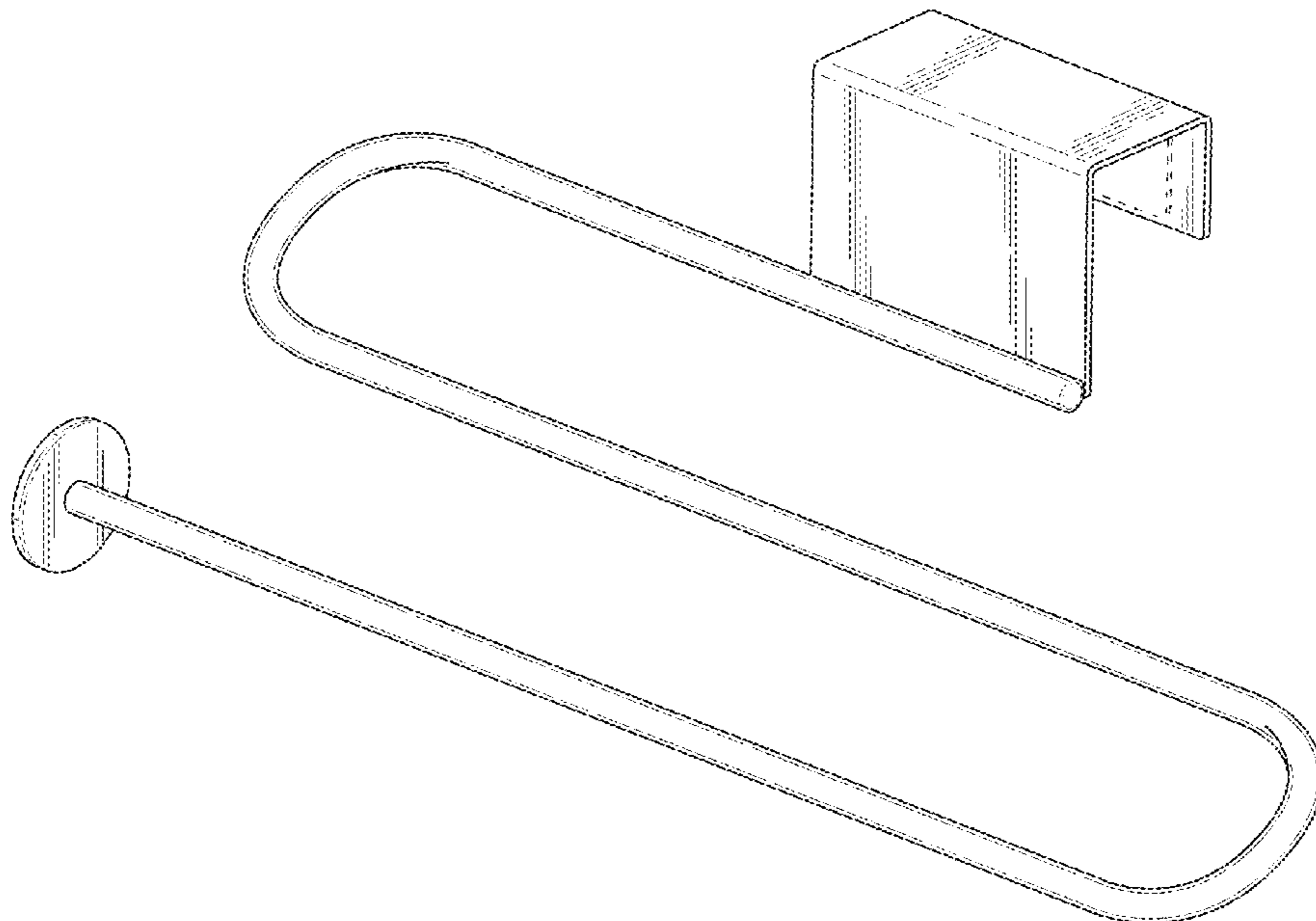
FIG. 1 is a perspective view of the towel handle according to my new design;
FIG. 2 is a front view of the embodiment illustrated in FIG. 1;
FIG. 3 is a back view of the embodiment illustrated in FIG. 1;
FIG. 4 is a side view of the embodiment illustrated in FIG. 1;
FIG. 5 is an opposite side view of the embodiment illustrated in FIG. 1;
FIG. 6 is a top view of the embodiment illustrated in FIG. 1; and,
FIG. 7 is a bottom view of the embodiment illustrated in FIG. 1.
The broken lines shown in the drawings depict portions of the towel handle that form no part of the claimed design.

(56) **References Cited**

U.S. PATENT DOCUMENTS

4,372,449 A * 2/1983 Fink A47K 10/04
248/214
D302,507 S * 8/1989 Herrick D6/548
D371,033 S * 6/1996 Lowe D6/548
D412,630 S * 8/1999 Lowe D6/548
D449,477 S * 10/2001 Travis D6/546
D450,503 S * 11/2001 Gottwald D6/523
D466,744 S * 12/2002 Lowe D6/550
D543,062 S * 5/2007 Snell D6/549

1 Claim, 7 Drawing Sheets



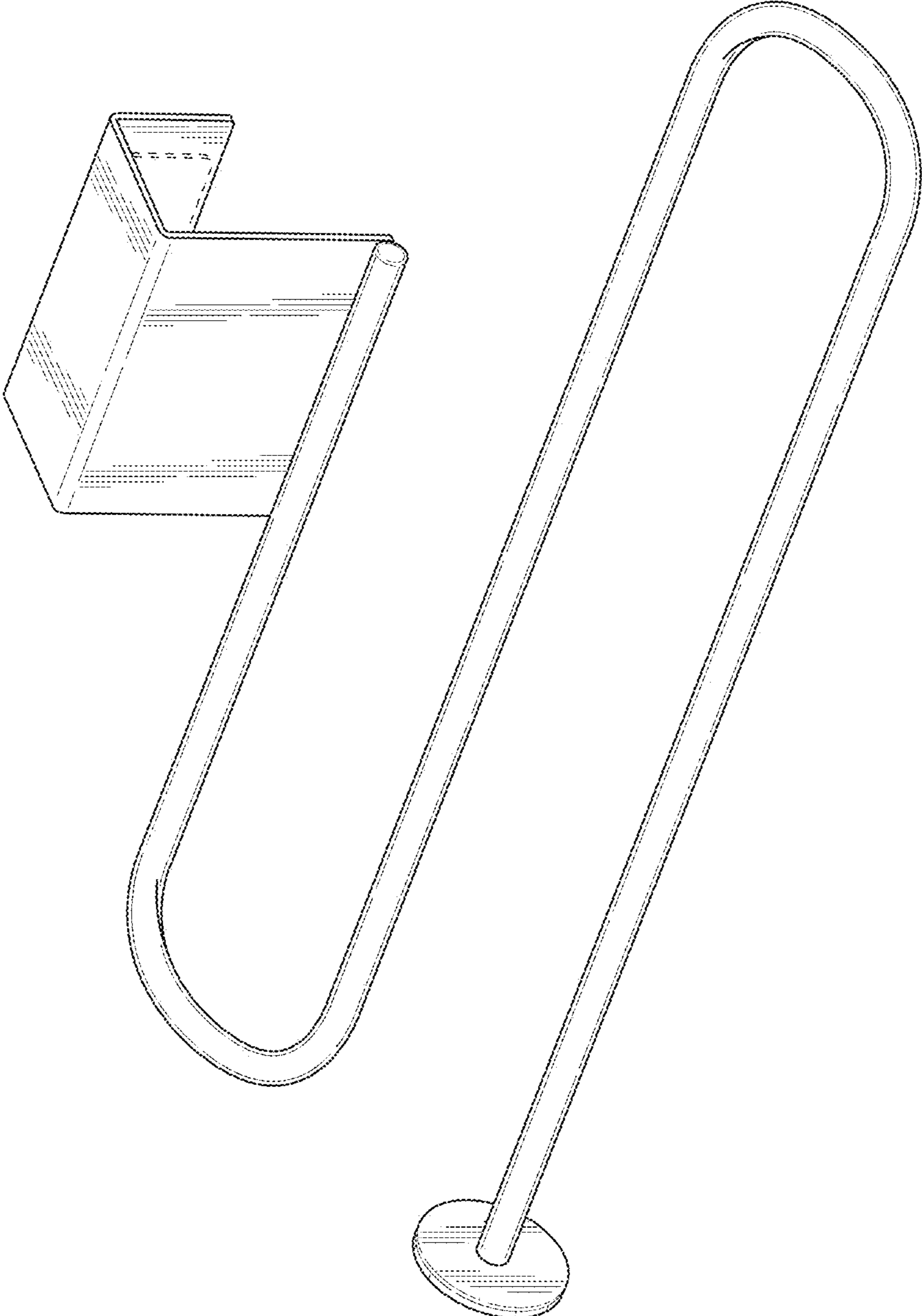


FIG. 1

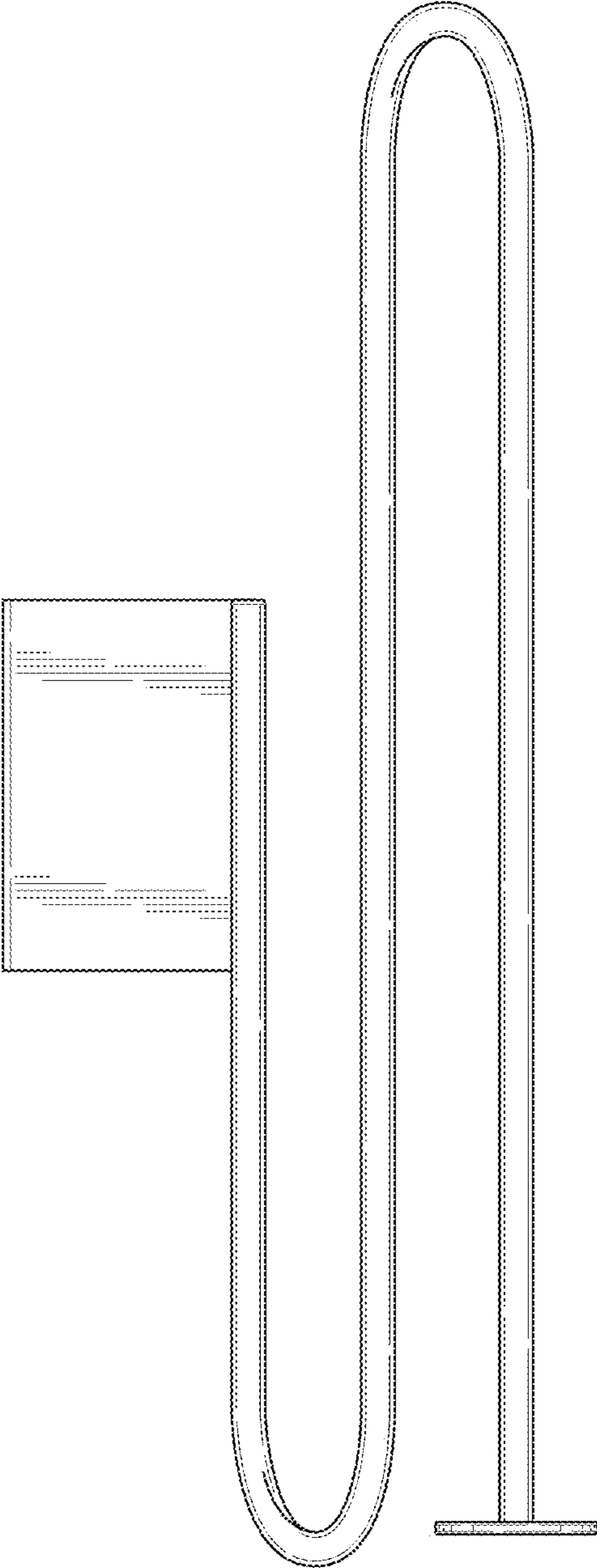


FIG. 2

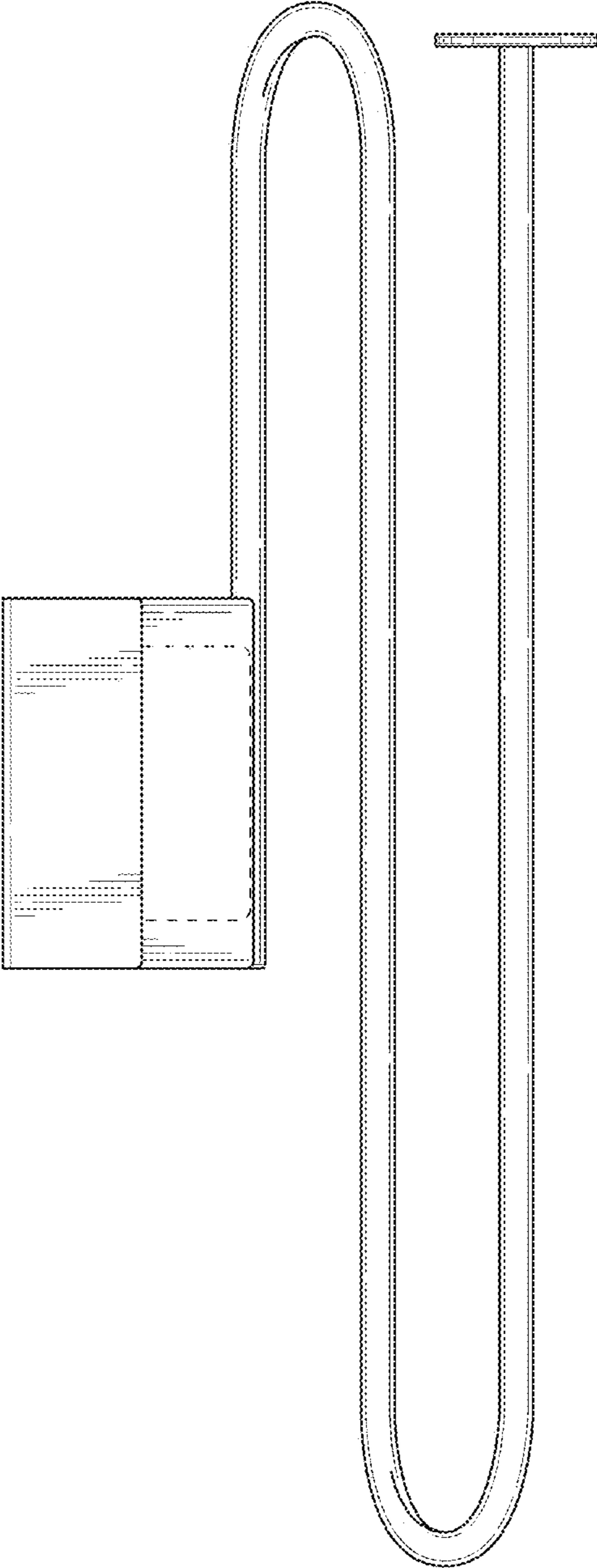


FIG. 3

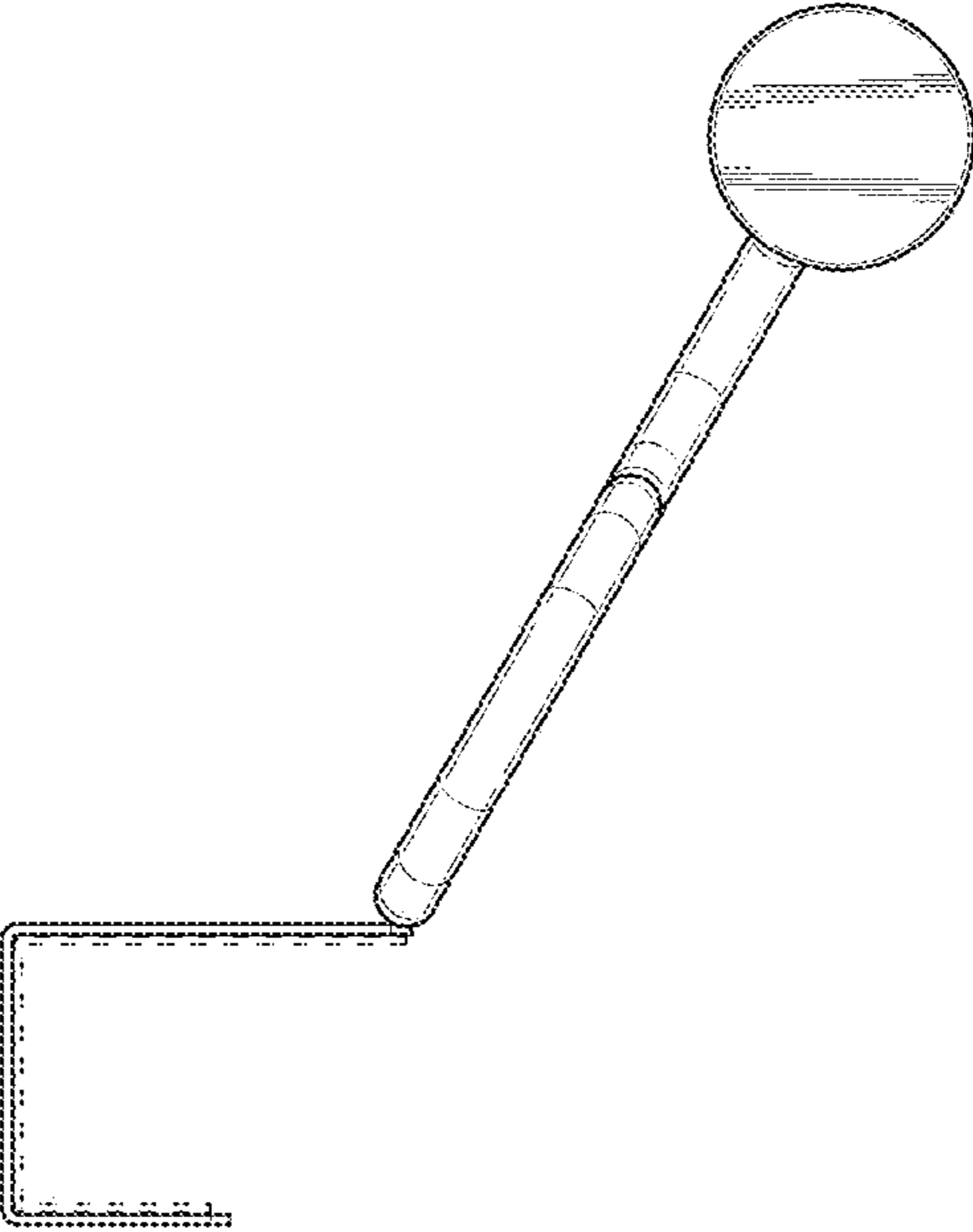


FIG. 4

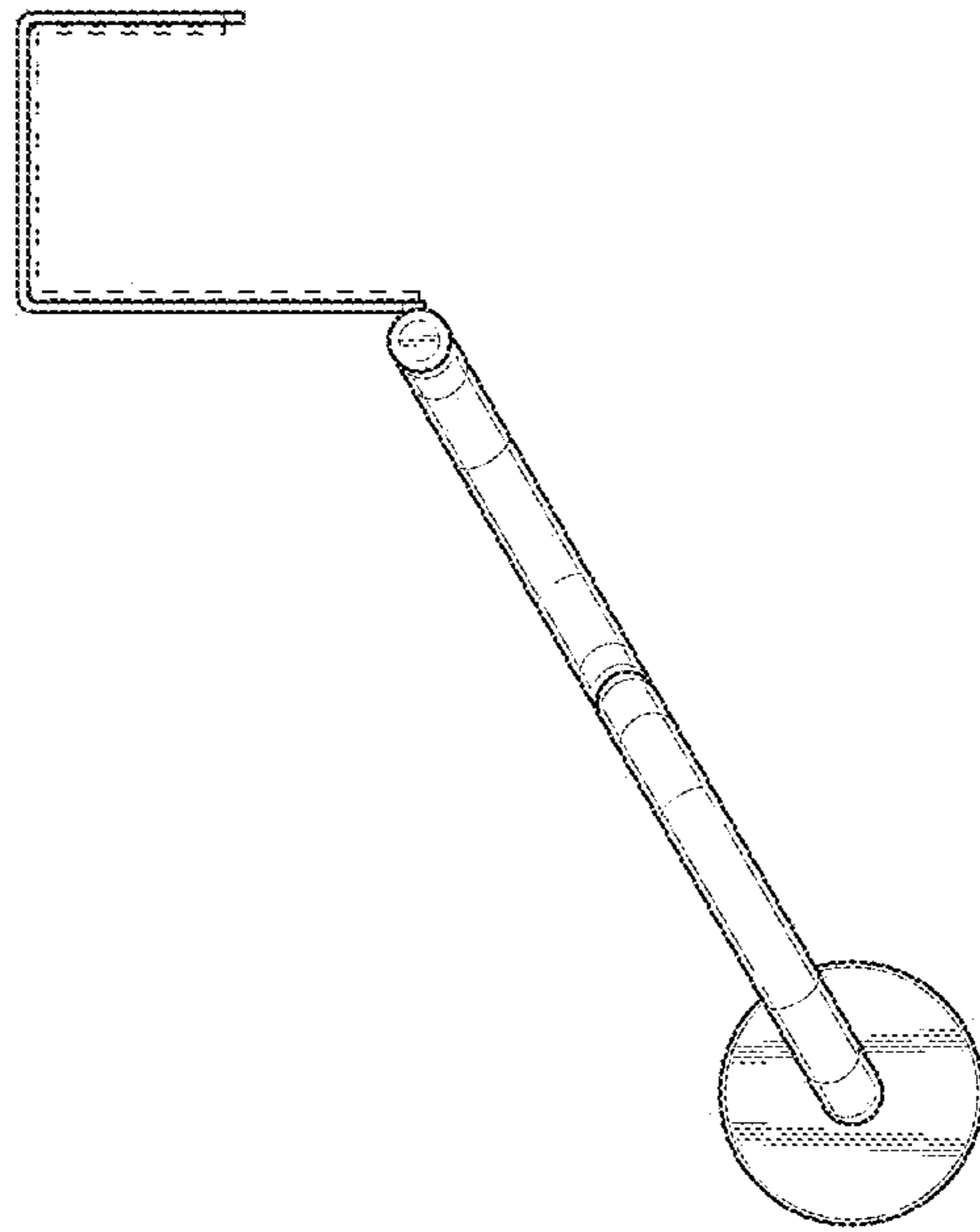


FIG. 5

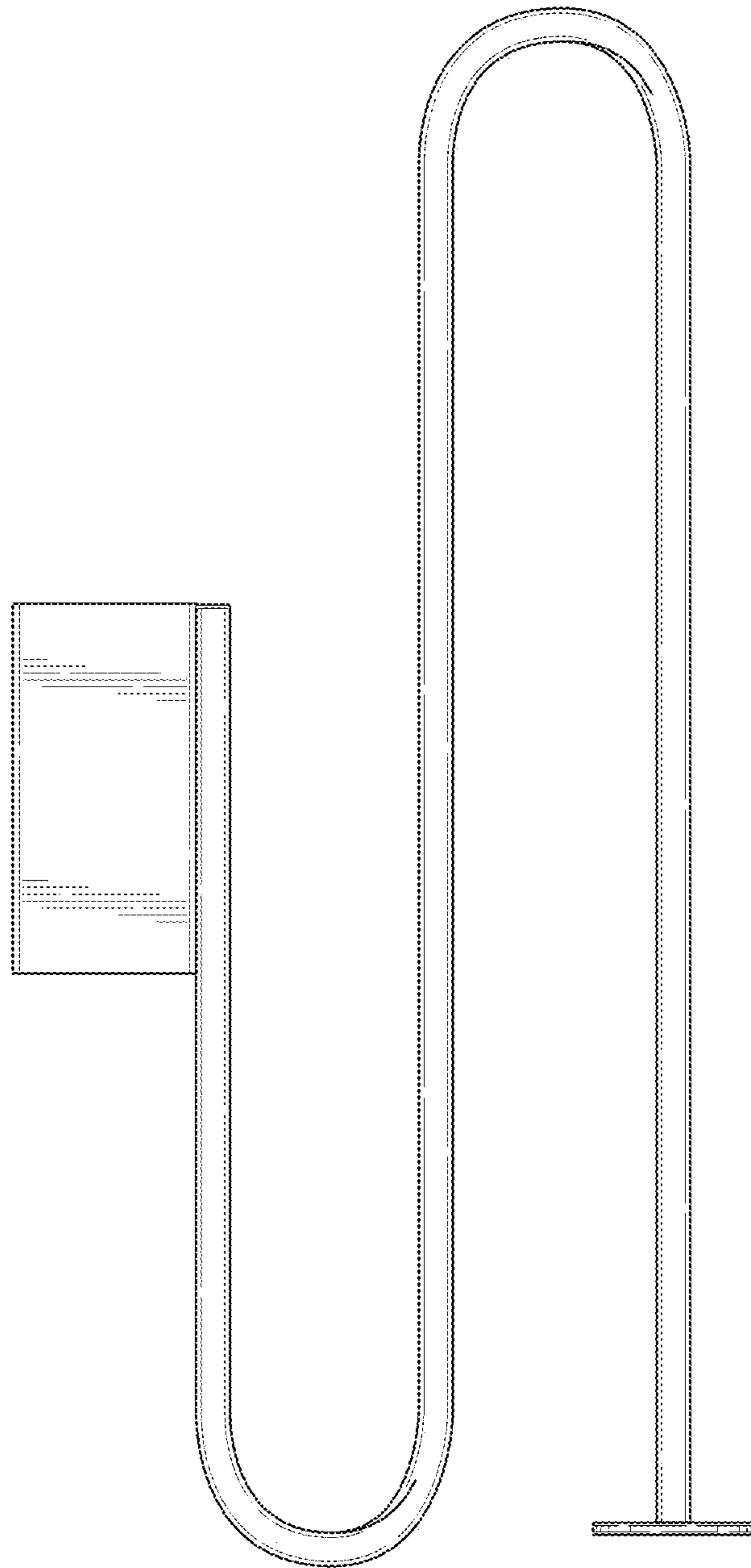


FIG. 6

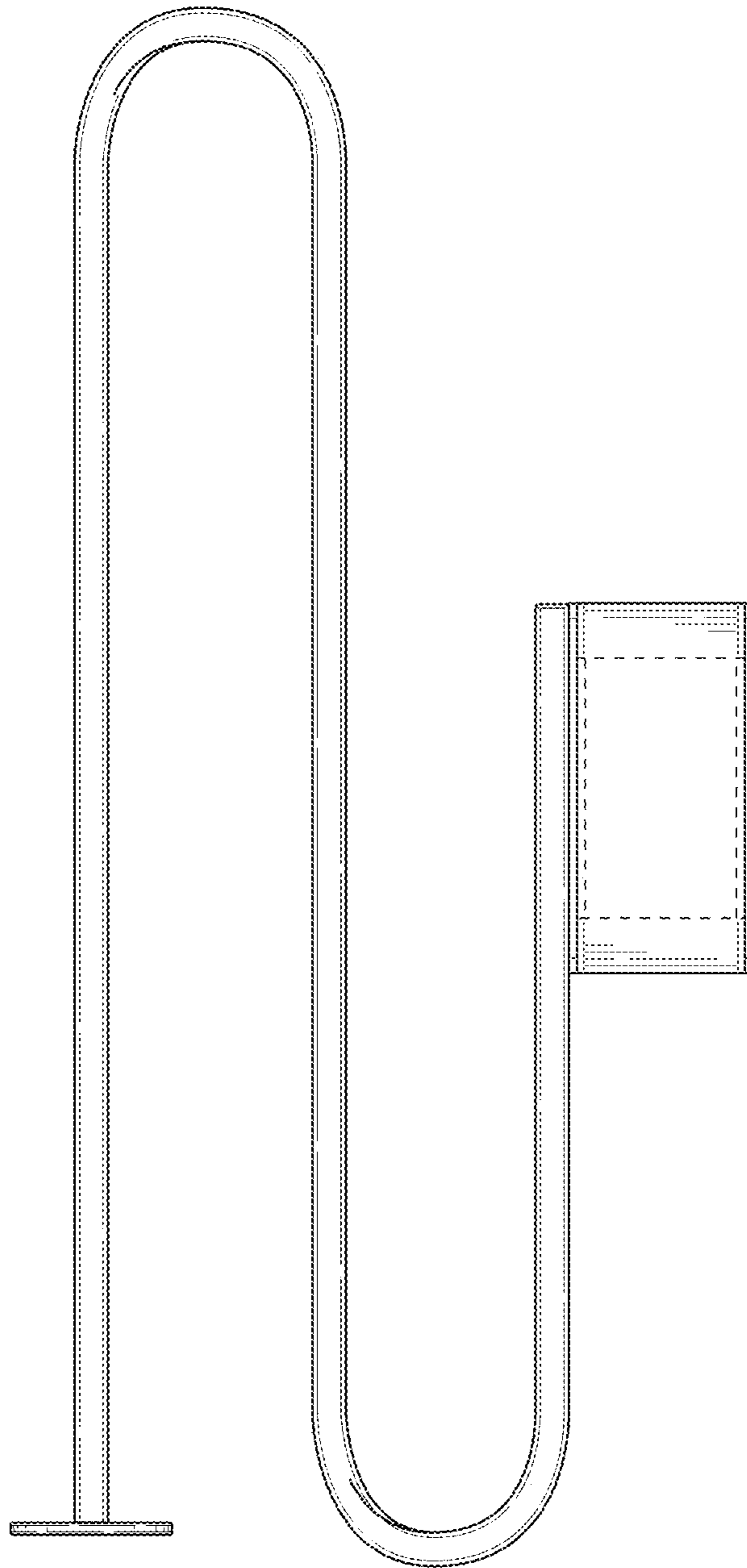


FIG. 7