



US00D978560S

(12) **United States Design Patent** (10) **Patent No.:** **US D978,560 S**  
**Cook et al.** (45) **Date of Patent:** **\*\* Feb. 21, 2023**

(54) **DISPENSING STATION**  
(71) Applicant: **Bob's Space Racers, Inc.**, Holly Hill, FL (US)  
(72) Inventors: **Glenda Cassata Cook**, Ormond Beach, FL (US); **Jack Cook**, Ormond Beach, FL (US)  
(73) Assignee: **Bob's Space Racers, Inc.**, Holly Hill, FL (US)

D486,335 S \* 2/2004 Sonneman ..... D6/542  
D522,269 S \* 6/2006 Walker ..... D6/663  
D604,544 S \* 11/2009 Daams ..... D6/542  
D625,538 S \* 10/2010 Lorenzatti ..... D6/542  
D671,346 S \* 11/2012 Zlatic ..... D9/733

(Continued)

**FOREIGN PATENT DOCUMENTS**

EM 007872361-0001 \* 5/2020  
GB 6089861 \* 5/2020  
GB 6091415 \* 6/2020

(\*\*) Term: **15 Years**

**OTHER PUBLICATIONS**

(21) Appl. No.: **29/751,997**  
(22) Filed: **Sep. 24, 2020**  
(51) **LOC (14) Cl.** ..... **23-08**  
(52) **U.S. Cl.**  
USPC ..... **D6/542**  
(58) **Field of Classification Search**  
USPC ..... D6/524, 542-545, 540, 515, 527, 530;  
D9/448, 504, 454, 688, 69, 3, 500,  
D9/691-693; D23/238, 225, 247,  
D23/270-275, 355, 356, 360, 362, 364,  
D23/365, 366; D32/29.1; D7/598;  
D10/118; D14/240, 140.1, 140.5, 140.6;  
D13/108; 241/602; 239/343; 222/105,  
222/173, 180, 181.1, 181.2, 181.3, 82  
CPC ..... A47K 5/1217; A47K 5/12; A47K 5/1207;  
A47K 5/14; A47K 2005/1218; A45D  
27/02; A45D 27/06  
See application file for complete search history.

Hands-Free Sanitizer. Bob's Space Racers (online) 4 pgs. No date available. [Retrieved Oct. 12, 2022] <https://www.sanitizerhandsfree.com/> (Year: NA).\*

*Primary Examiner* — Marie D. Fast Horse  
*Assistant Examiner* — Jennifer Sierra Yosinski  
(74) *Attorney, Agent, or Firm* — Standley Law Group LLP; Jeffrey Standley; Kenny Pung

(57) **CLAIM**

The ornamental design for a dispensing station, as shown and described above.

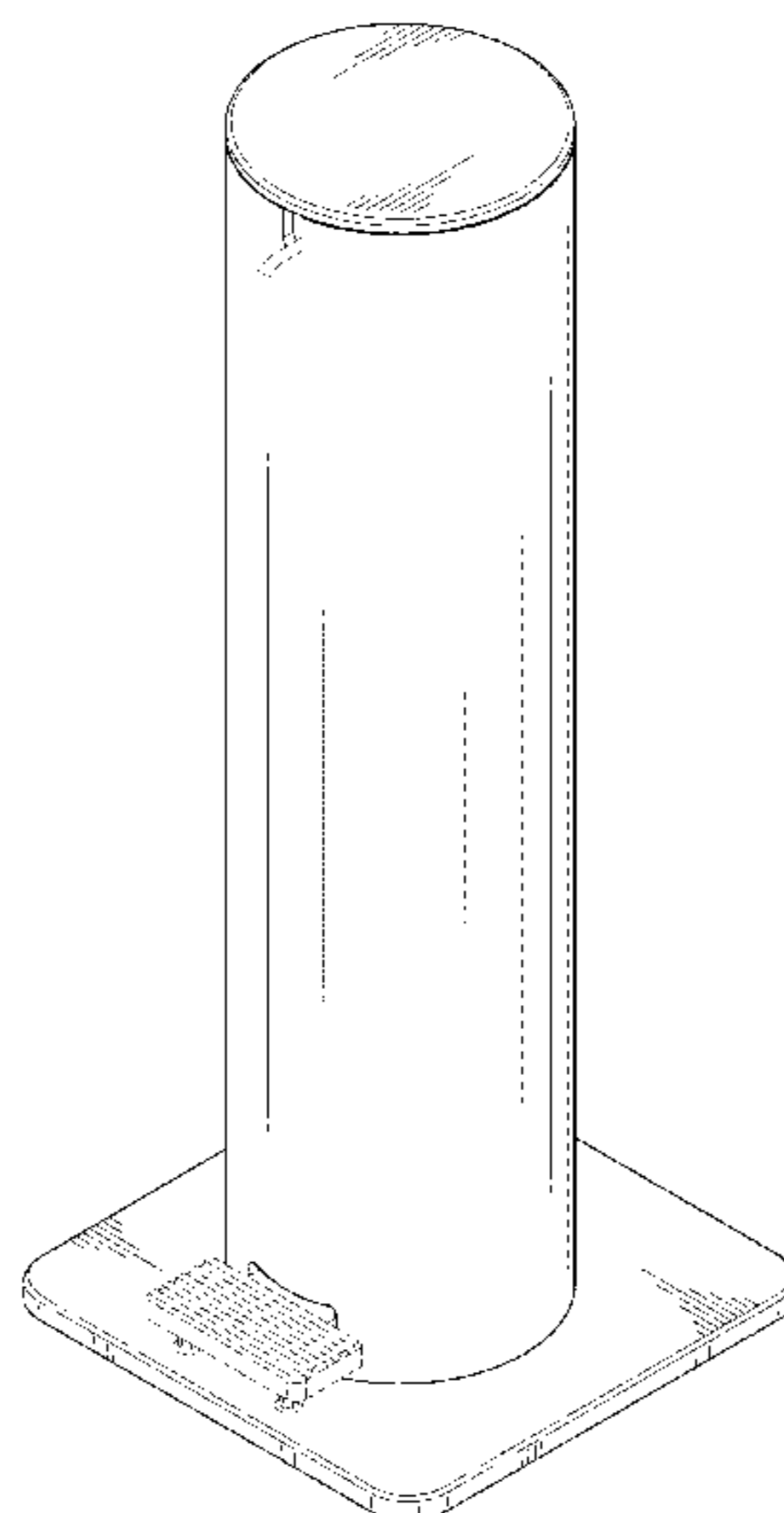
**DESCRIPTION**

FIG. 1 is a front perspective view of a dispensing station; FIG. 2 is a front elevation view of the dispensing station thereof; FIG. 3 is rear elevation view of the dispensing station thereof; FIG. 4 is a left-side elevation view of the dispensing station thereof, the right-side elevation view being a mirror image thereof; and, FIG. 5 is a top plan view of the dispensing station thereof. The broken lines depict portions of the dispensing station that form no part of the claimed design.

(56) **References Cited**  
U.S. PATENT DOCUMENTS

D318,598 S \* 7/1991 Plough ..... D6/323  
D359,546 S \* 6/1995 Savage ..... D23/207  
D368,856 S \* 4/1996 Peay ..... D9/447  
D385,138 S \* 10/1997 Warshawsky ..... D6/542  
D430,984 S \* 9/2000 Camarena ..... D6/520  
6,662,971 B1 \* 12/2003 Nguyen ..... B65D 35/285  
222/105

**1 Claim, 5 Drawing Sheets**



(56)

**References Cited**

U.S. PATENT DOCUMENTS

D812,928 S \* 3/2018 Buell ..... D6/542  
D818,739 S \* 5/2018 Buell ..... D6/542  
D835,923 S \* 12/2018 Buell ..... D6/515  
11,224,889 B1 \* 1/2022 Cadkin ..... A47K 5/1202  
D947,989 S \* 4/2022 Cadkin ..... D23/208  
2008/0063470 A1 \* 3/2008 Bousson ..... A47J 43/255  
241/278.1  
2010/0052549 A1 \* 3/2010 Hudson ..... F21S 8/083  
362/372  
2017/0112121 A1 \* 4/2017 Ryan ..... B05B 15/622

\* cited by examiner

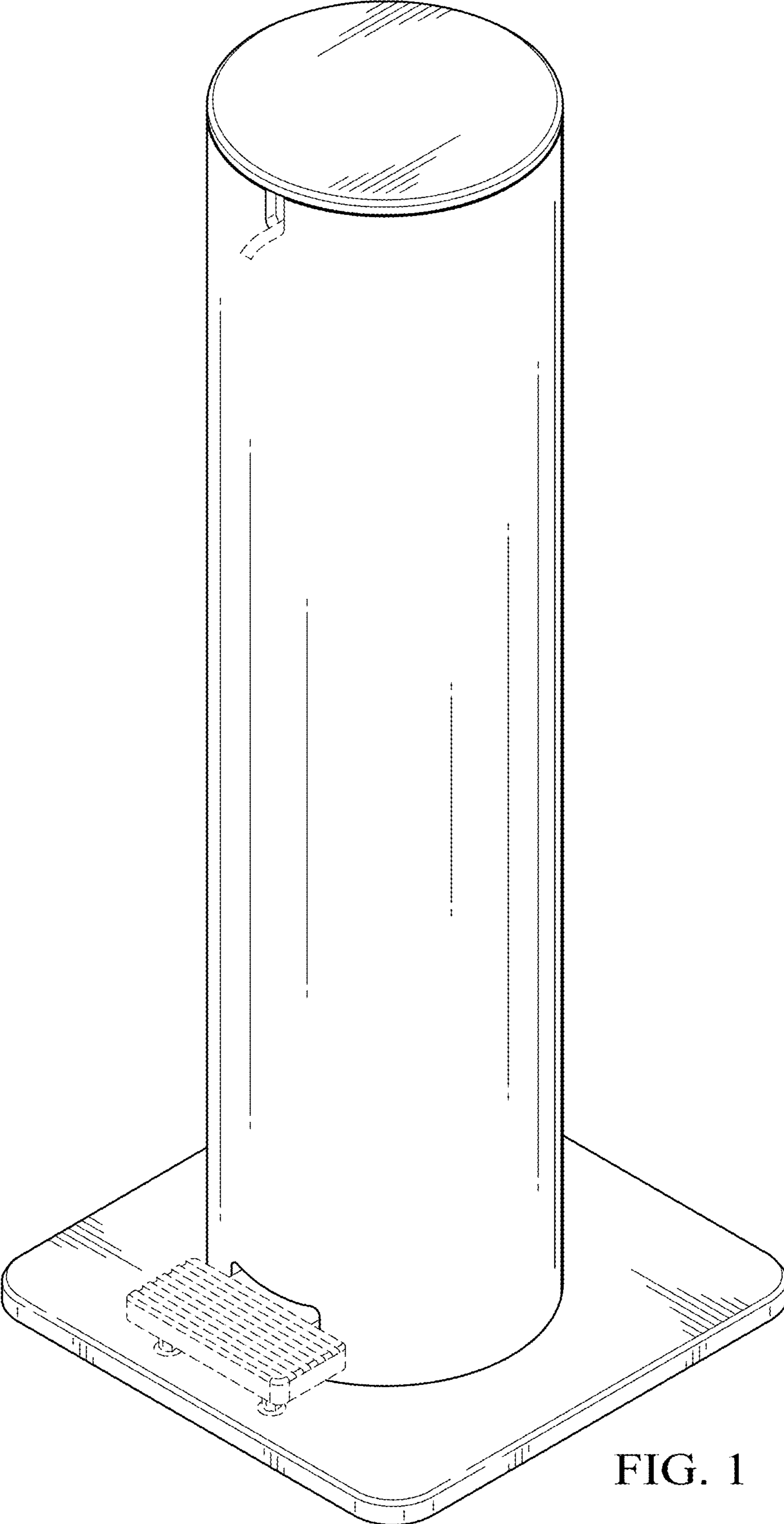


FIG. 1

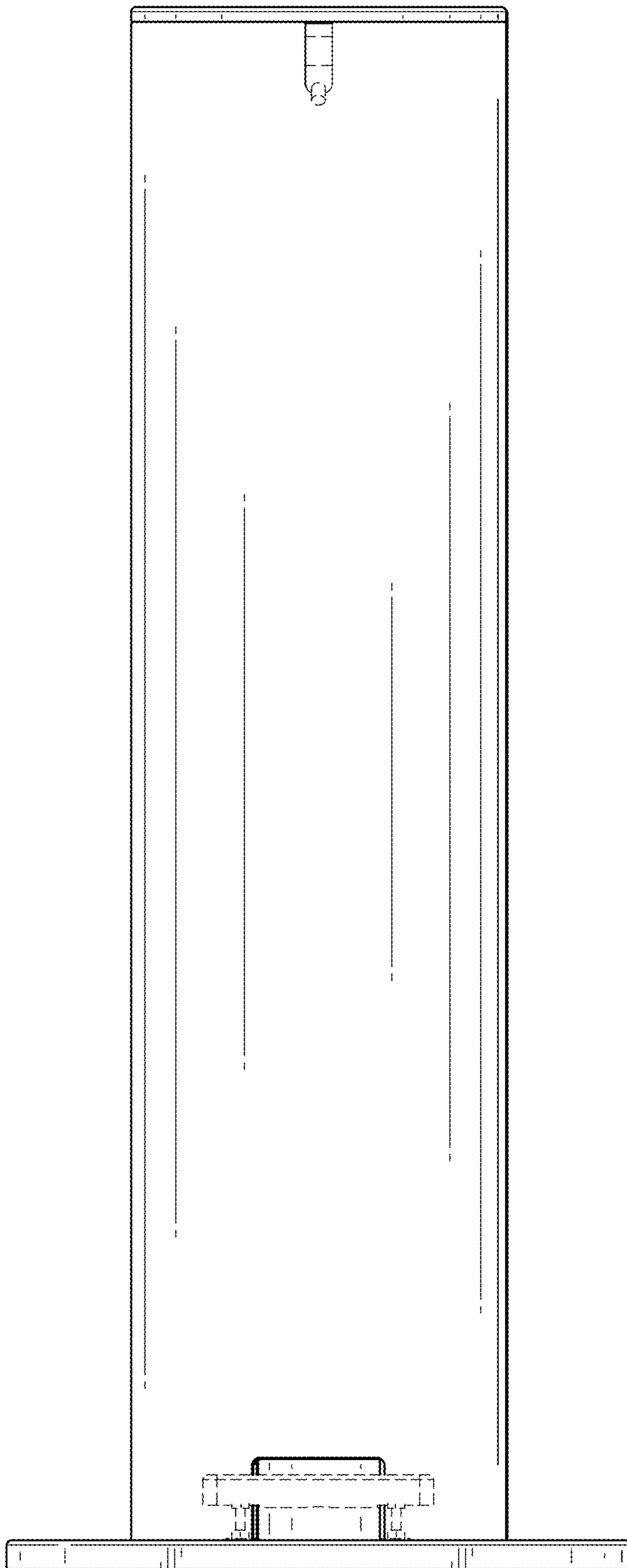


FIG. 2

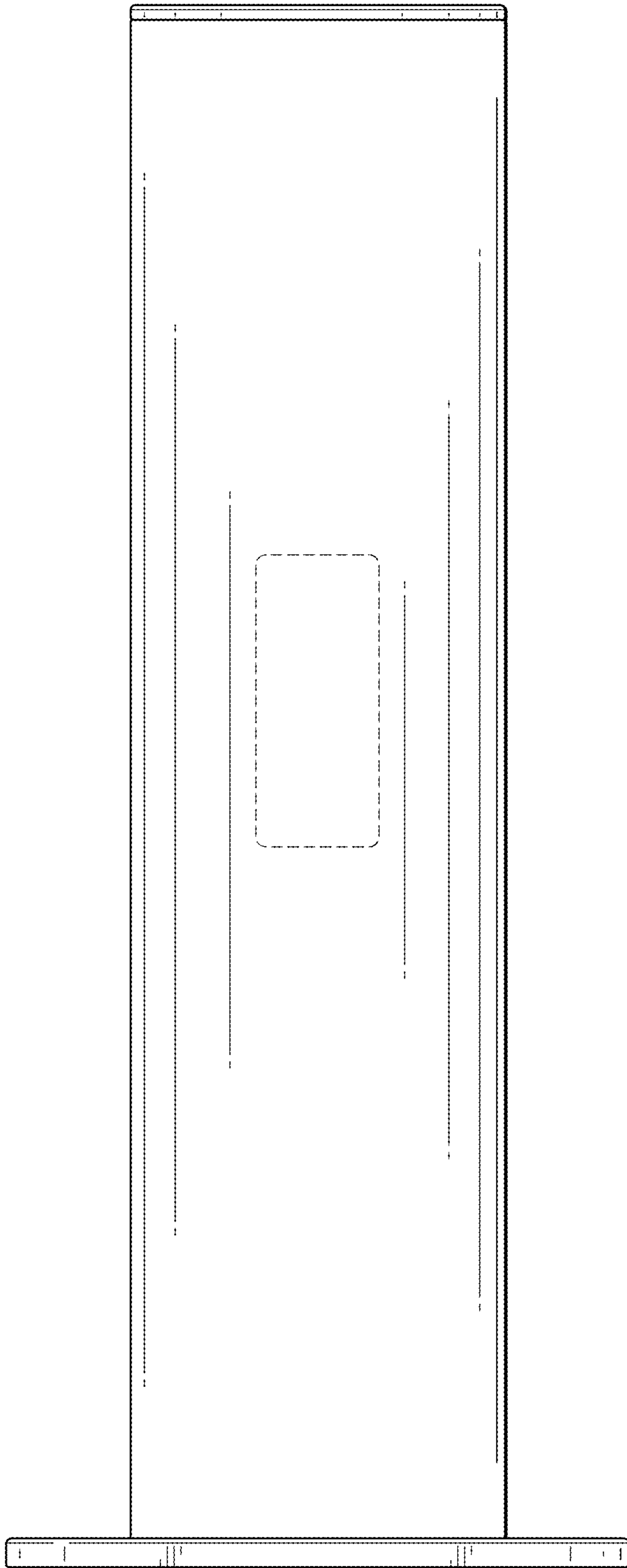


FIG. 3

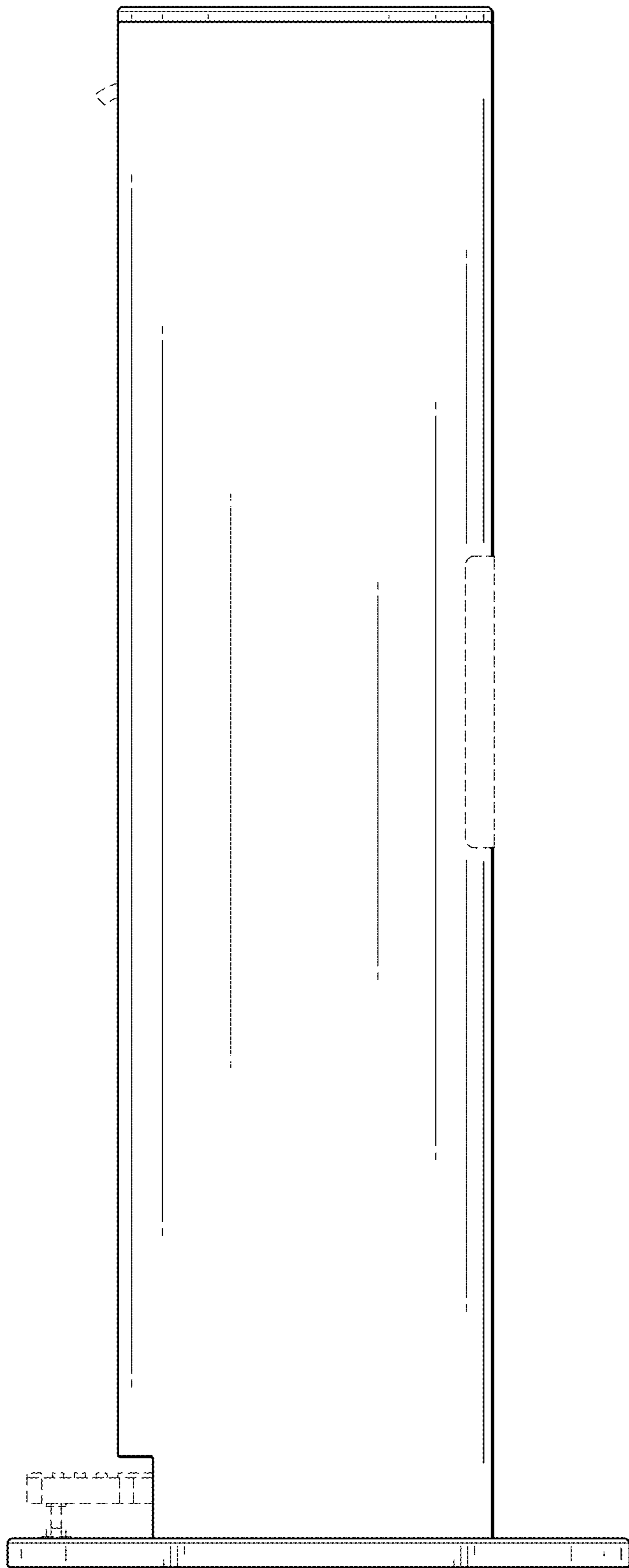


FIG. 4

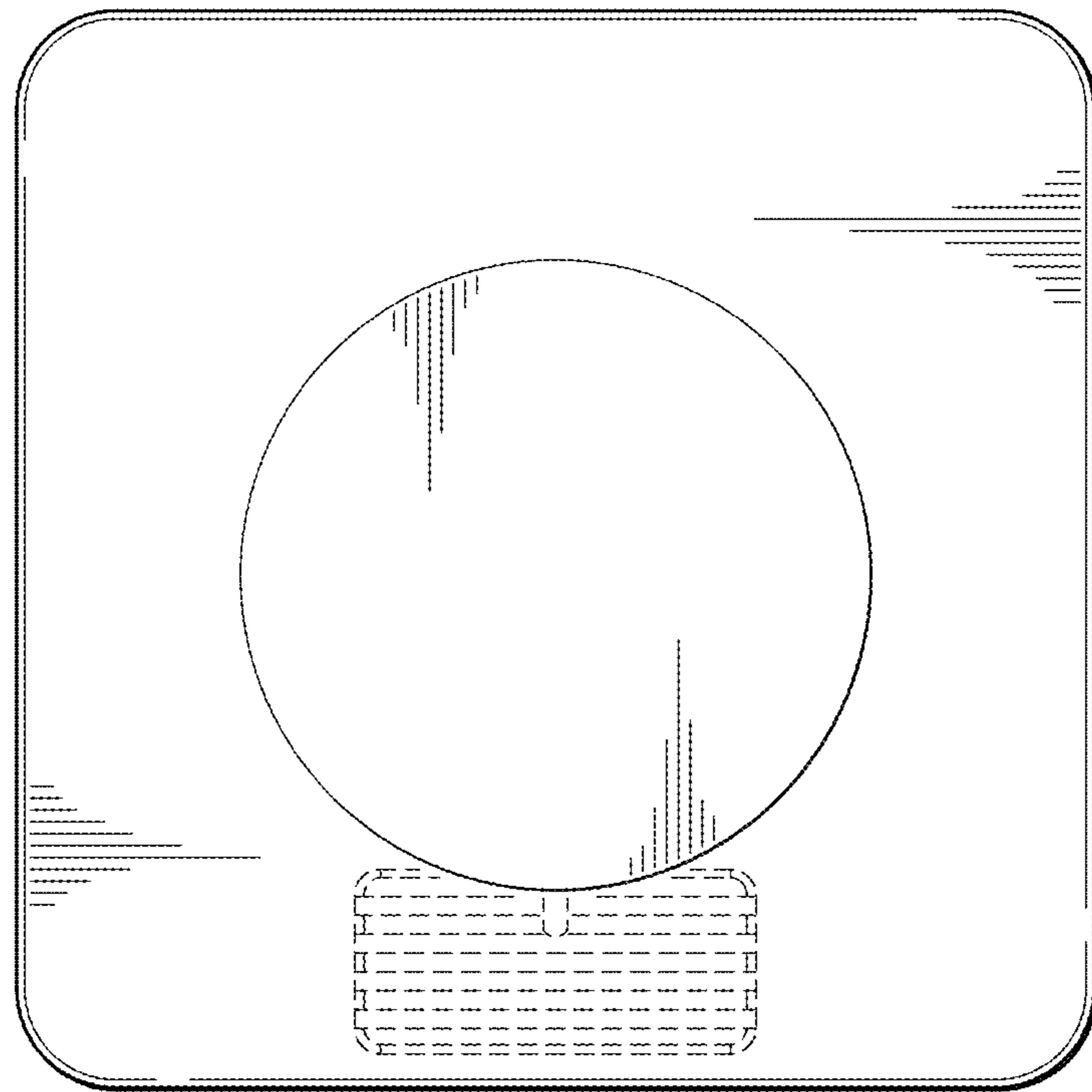


FIG. 5