

US00D978558S

(12) **United States Design Patent** (10) **Patent No.:** **US D978,558 S**  
**Chen** (45) **Date of Patent:** **\*\* Feb. 21, 2023**

(54) **TOOTHBRUSH HOLDER**

FOREIGN PATENT DOCUMENTS

(71) Applicant: **Yi-Chuan Chen**, Taipei (TW)

CN 305428479 \* 11/2019  
CN 306345772 \* 2/2021

(72) Inventor: **Yi-Chuan Chen**, Taipei (TW)

OTHER PUBLICATIONS

(\*\*) Term: **15 Years**

Plastic Toothbrush/Toothpaste Storage Organizer Holder. mDesign (online) 14 pgs. Available Feb. 6, 2020. [Retrieved Jun. 28, 2022] <https://www.amazon.com/dp/B06XH7XLRP> (Year: 2020).\*  
Plastic Toothbrush and Toothpaste Storage Organizer Holder. mDesign (online) 11 pgs. Available Oct. 22, 2019. [Retrieved Jun. 30, 2022] <https://www.amazon.com/dp/B08BG7BW31> (Year: 2019).\*

(21) Appl. No.: **29/750,528**

(22) Filed: **Sep. 15, 2020**

(51) **LOC (14) Cl.** ..... **06-04**

\* cited by examiner

(52) **U.S. Cl.**  
USPC ..... **D6/534**

*Primary Examiner* — Marie D. Fast Horse  
*Assistant Examiner* — Jennifer Sierra Yosinski  
(74) *Attorney, Agent, or Firm* — Leong C. Lei

(58) **Field of Classification Search**  
USPC ..... D3/901; D6/524–531, 553, 574, 567;  
D8/71, 373; D19/75, 102, 77, 21, 22, 23;  
D28/73, 77; 211/65, 119.009; 206/209,  
206/361, 369; 248/110  
CPC ..... A47K 1/08; A47K 1/09; A47K 5/18  
See application file for complete search history.

(57) **CLAIM**

The ornamental design for a toothbrush holder, as shown and described.

**DESCRIPTION**

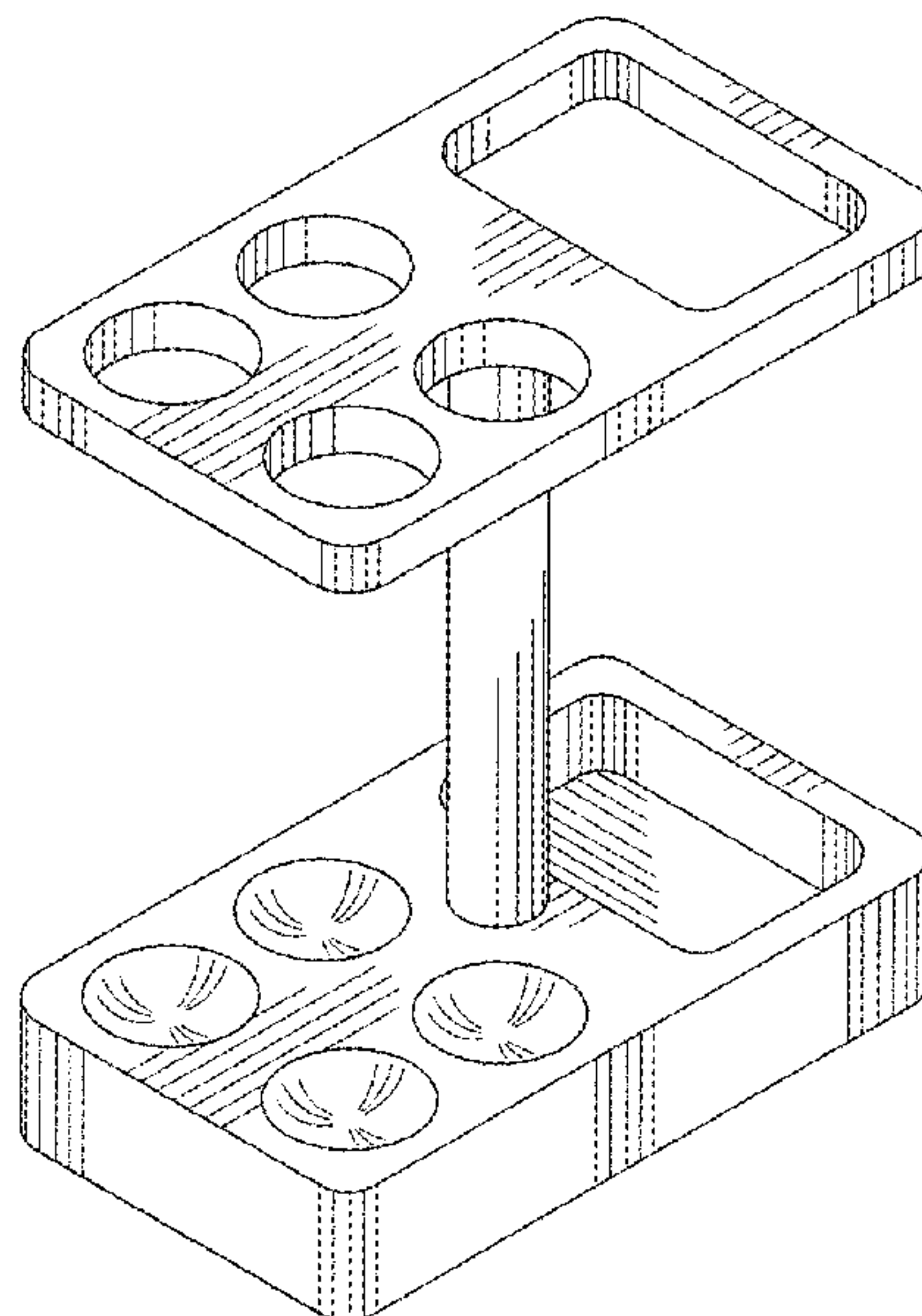
FIG. 1 is a perspective view of a toothbrush holder showing my new design;  
FIG. 2 is a front elevational view thereof;  
FIG. 3 is a rear elevational view thereof;  
FIG. 4 is a left side elevational view thereof;  
FIG. 5 is a right side elevational view thereof;  
FIG. 6 is a top plan view thereof;  
FIG. 7 is a bottom plan view thereof;  
FIG. 8 is a cross-sectional view thereof taken at line 8 in FIG. 6; and,  
FIG. 9 is another perspective view thereof, shown in use with its environment.  
The environmental toothbrush and toothpaste tube shown in broken lines form no part of the claimed design. The dot-dashed arrows in the FIG. 6 view are used to identify the cross-sectional view, are for reference purposes only, and form no part of the claimed design.

(56) **References Cited**

U.S. PATENT DOCUMENTS

D368,412 S *	4/1996	Lin	.....	D7/637
D396,762 S *	8/1998	Bermillo	.....	D6/534
5,819,960 A *	10/1998	Bonazza	.....	A47F 5/04
				211/133.4
D477,734 S *	7/2003	Snell	.....	D6/534
D499,918 S *	12/2004	Snell	.....	D6/534
D502,786 S *	3/2005	Cheung	.....	D28/20
D599,591 S *	9/2009	Snell	.....	D6/534
D634,566 S *	3/2011	Gonnelli	.....	D6/682.2
D639,094 S *	6/2011	Kraemer	.....	D6/534
D717,067 S *	11/2014	Collado	.....	D6/528
D745,789 S *	12/2015	Volk	.....	D6/534
2012/0318761 A1 *	12/2012	Volk	.....	A47K 1/09
				211/65

**1 Claim, 8 Drawing Sheets**



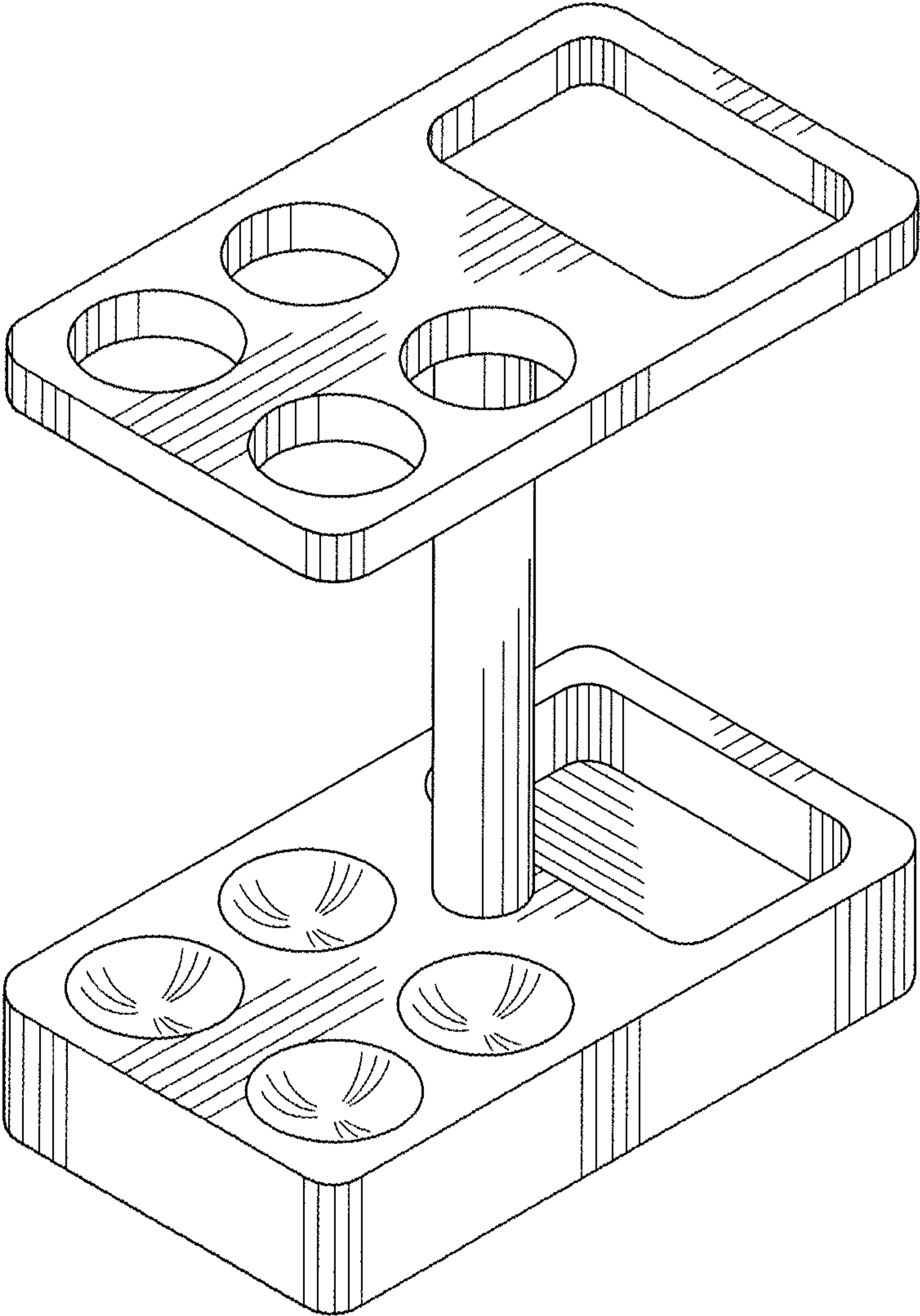


FIG. 1

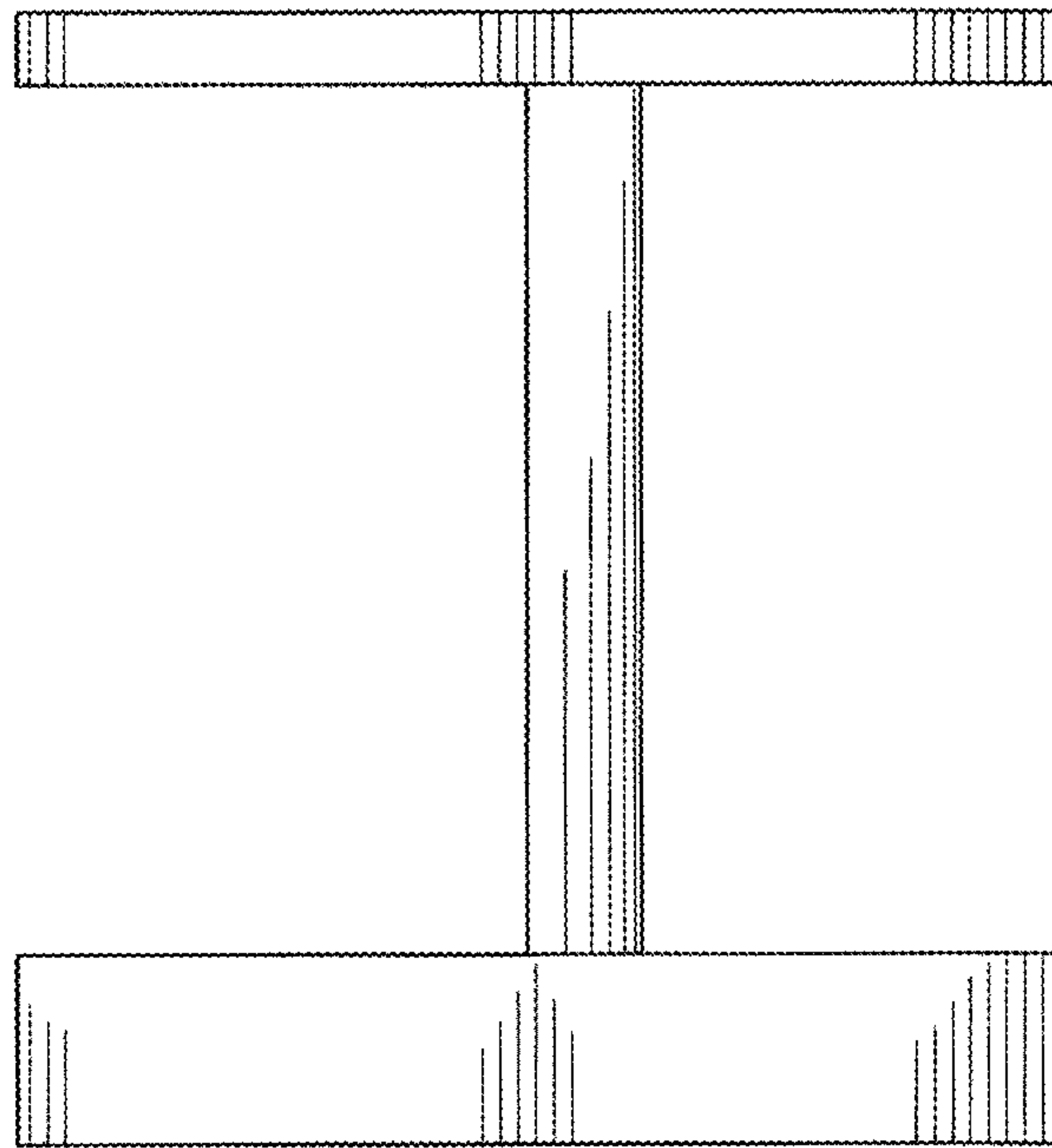


FIG. 2

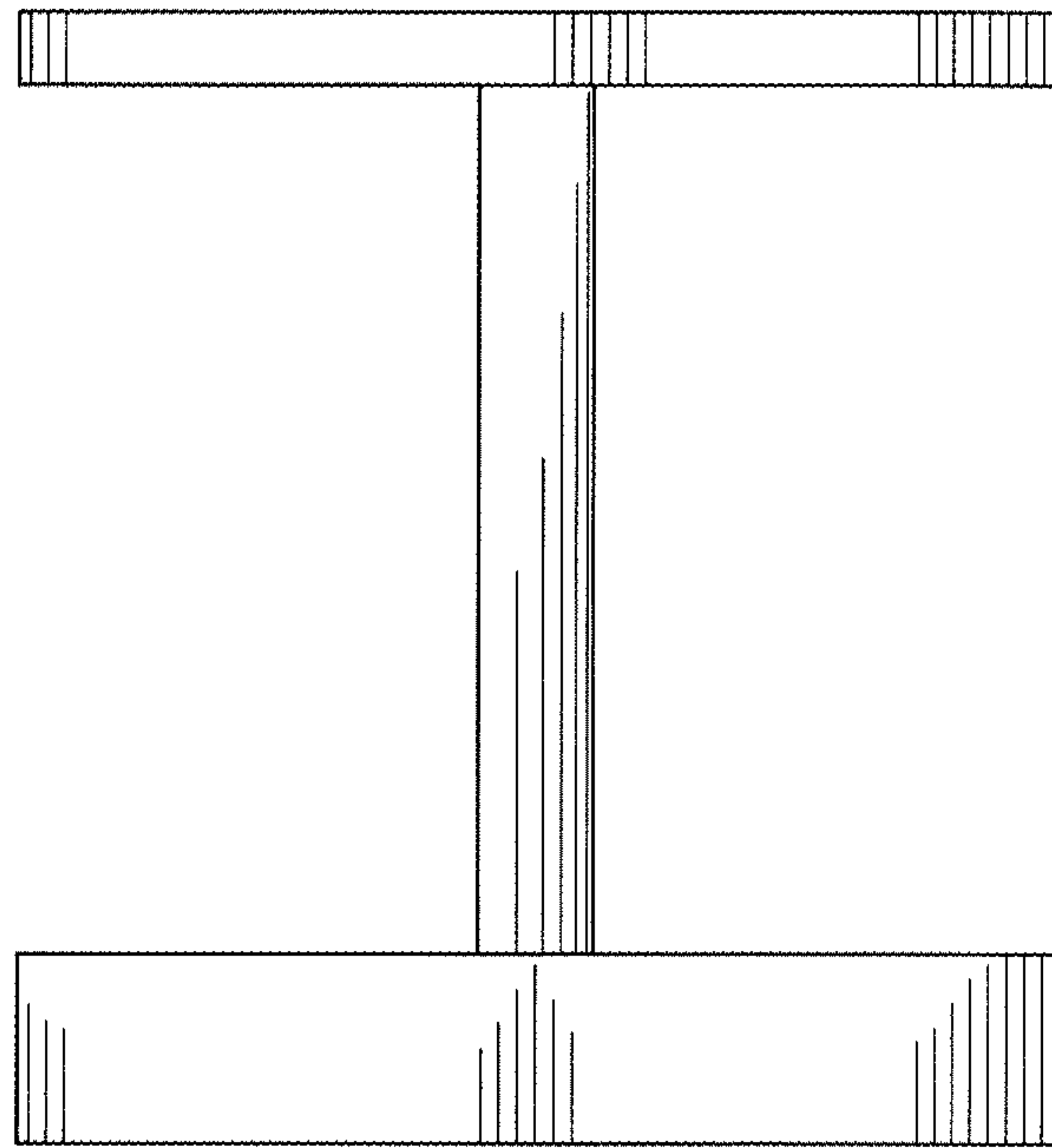


FIG. 3

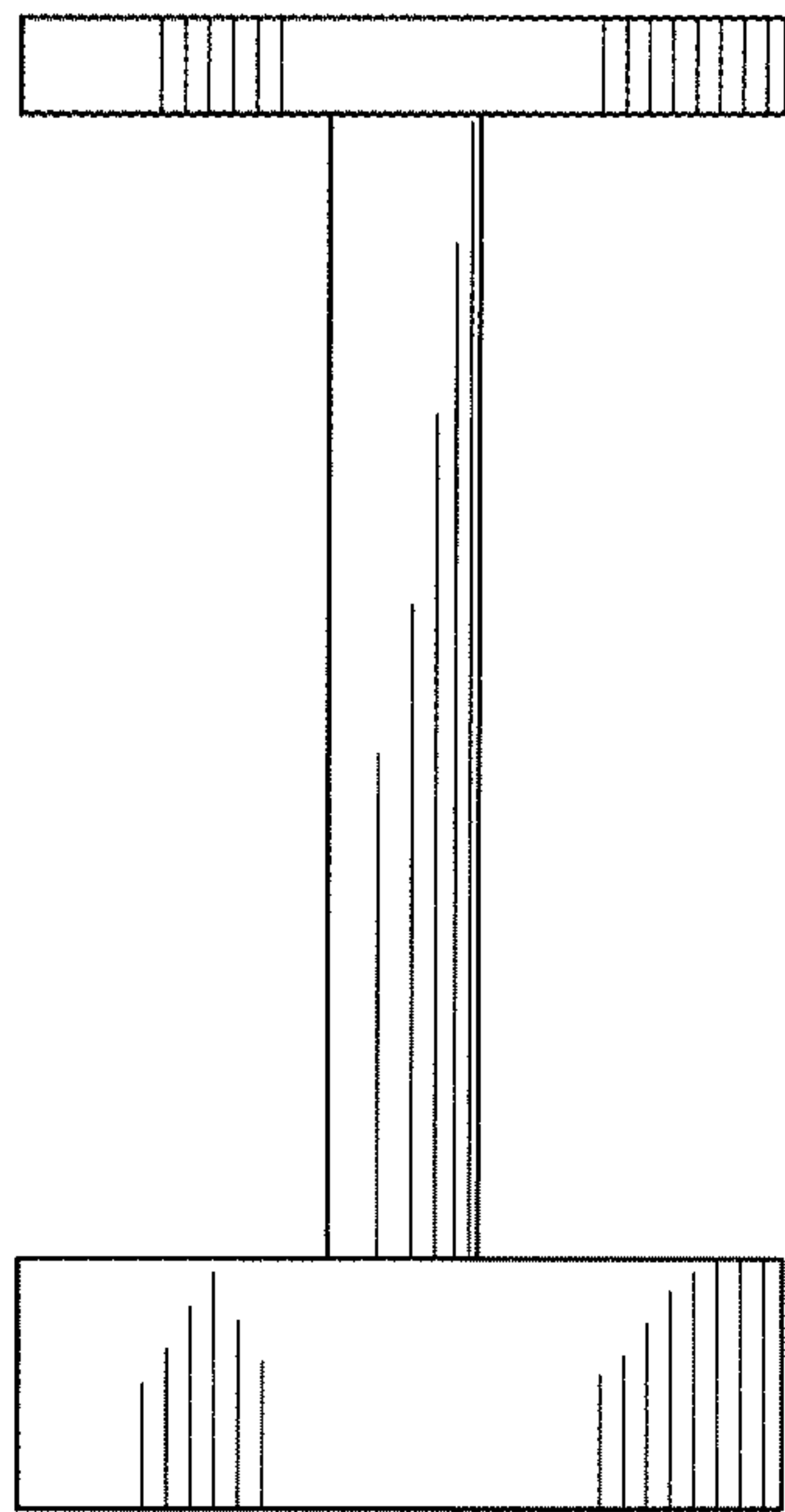


FIG. 4

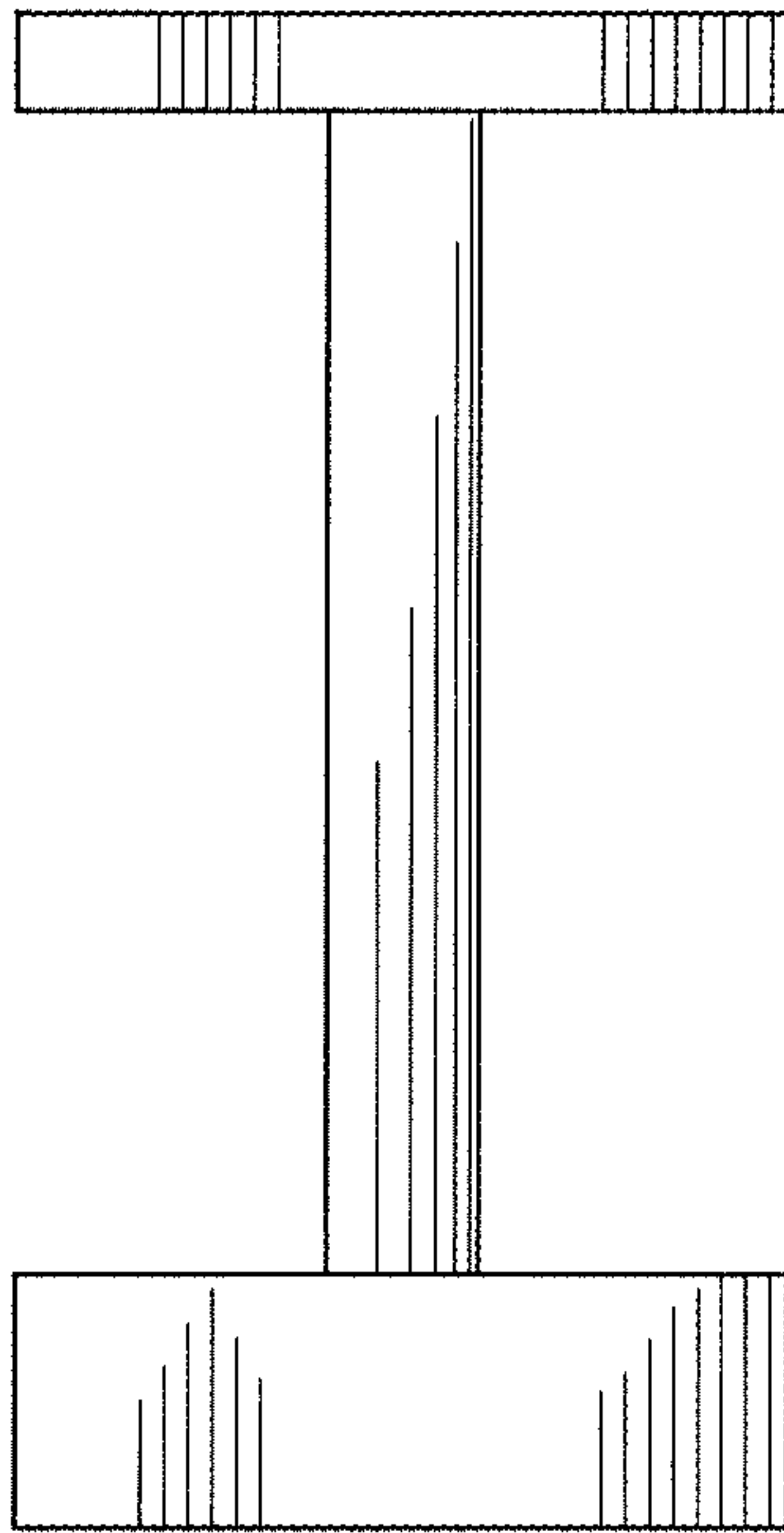


FIG. 5

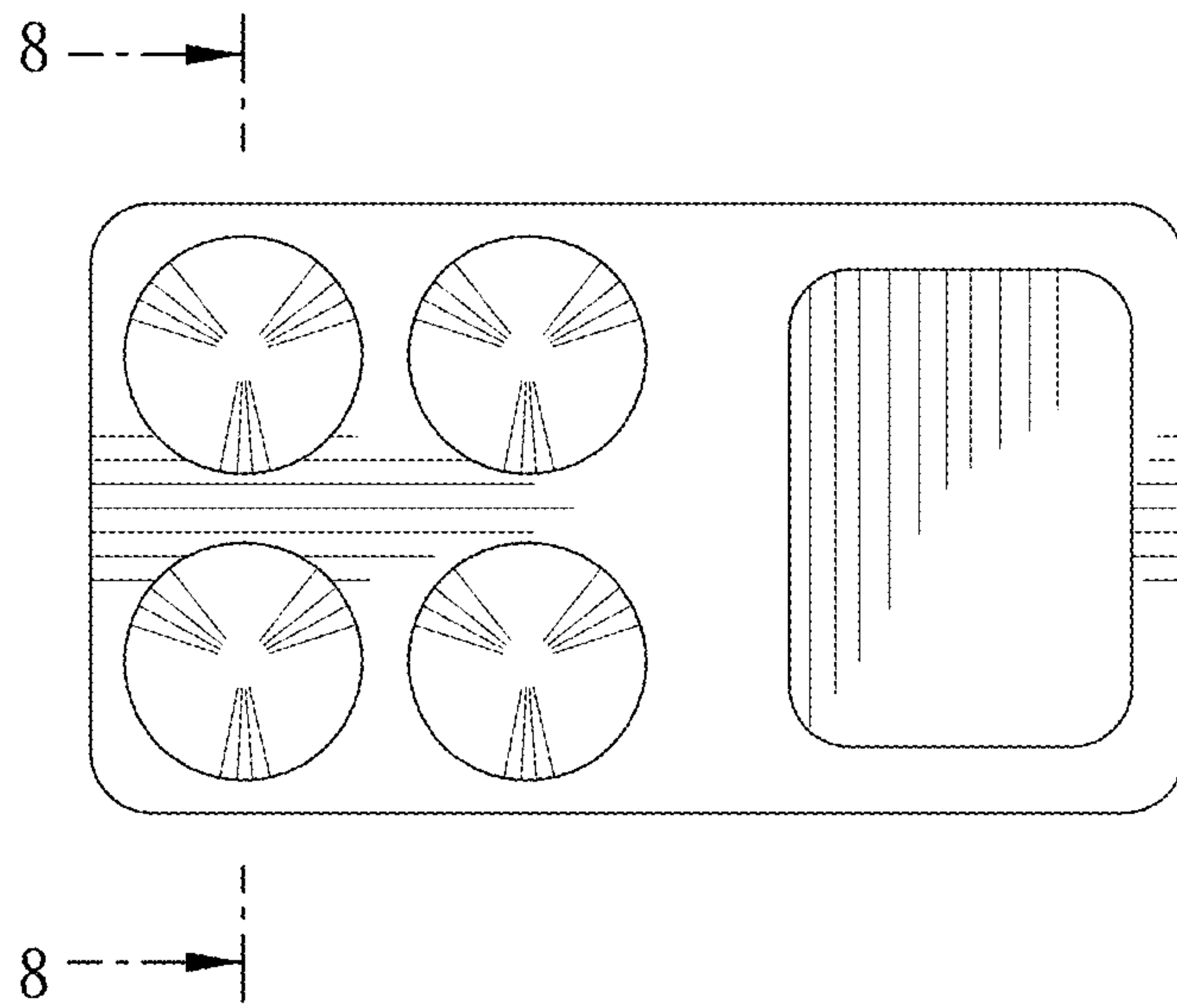


FIG. 6

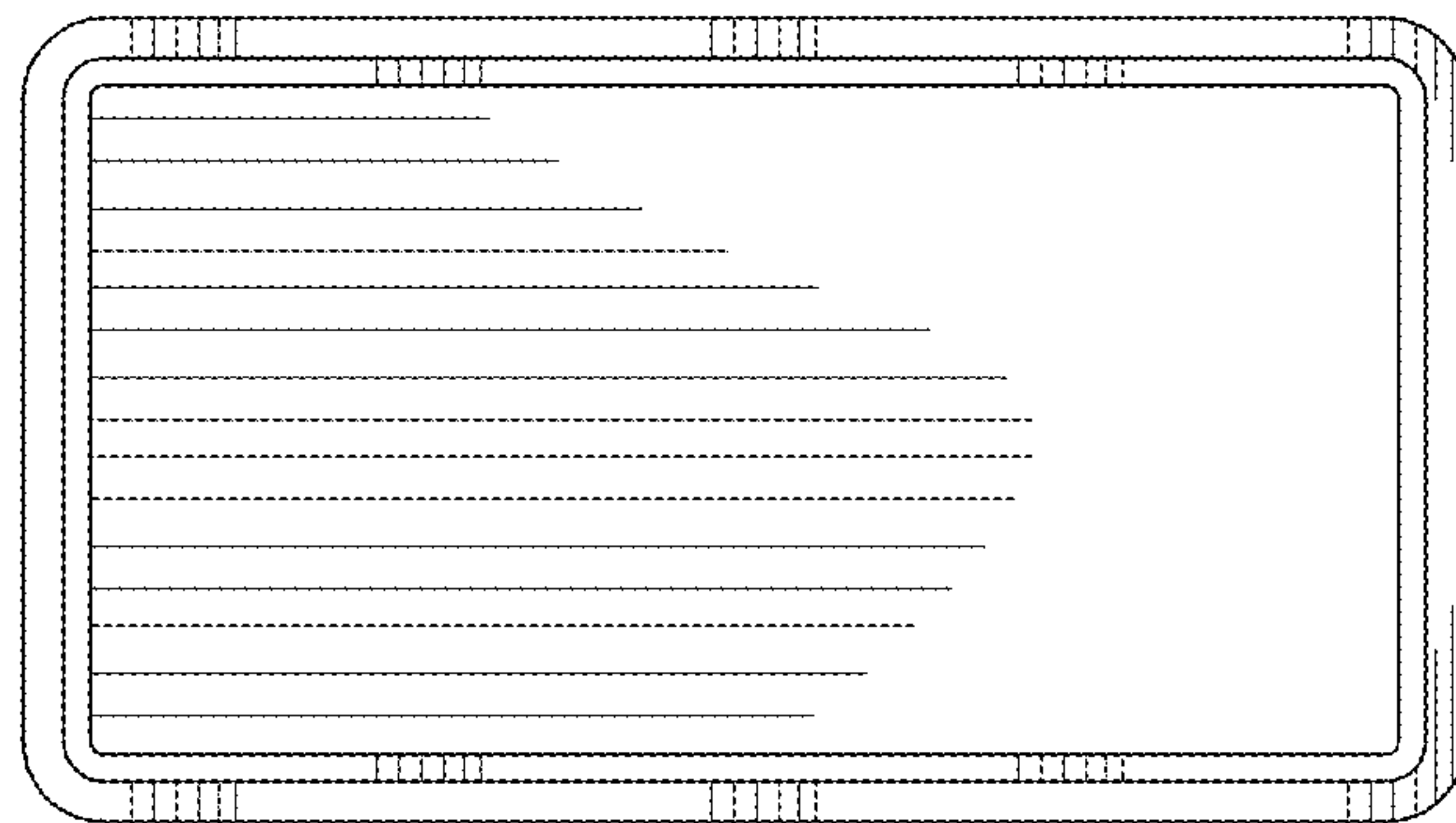


FIG. 7

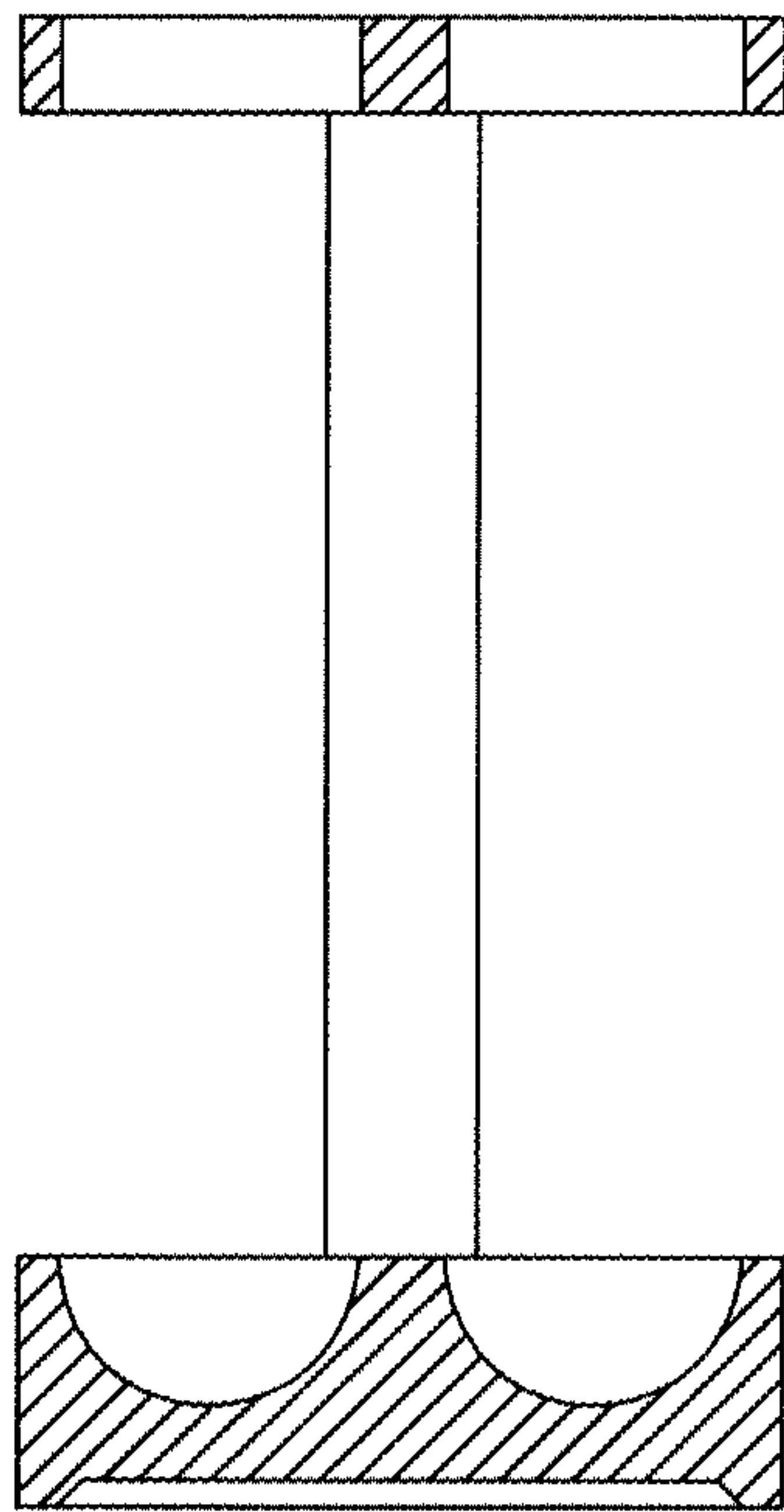


FIG. 8



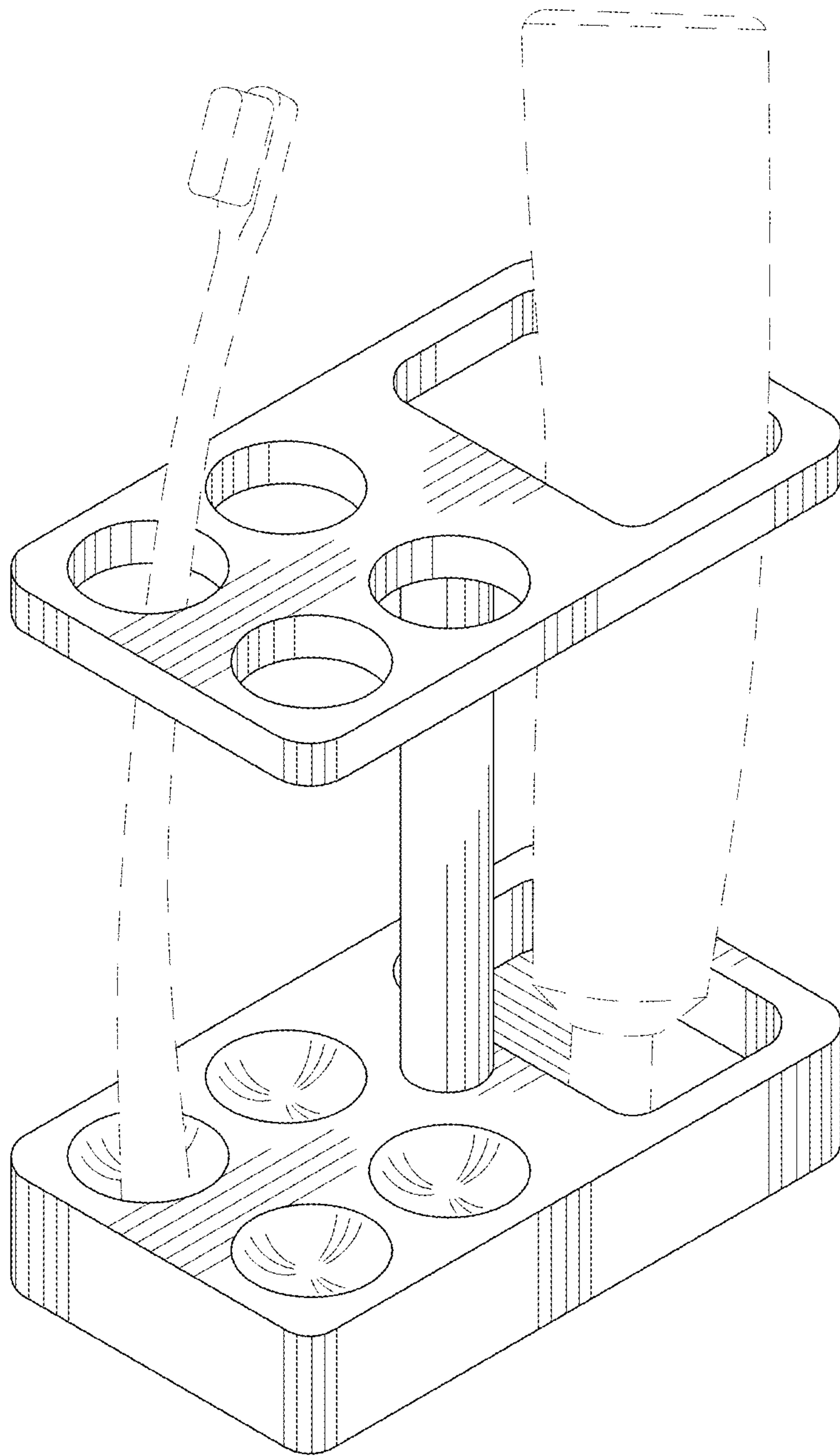


FIG. 9