



US00D978556S

(12) **United States Design Patent** (10) **Patent No.:** **US D978,556 S**
Elliott (45) **Date of Patent:** **** Feb. 21, 2023**

(54) **SUCTION CUP ACCESSORY HOLDER**

FOREIGN PATENT DOCUMENTS

(71) Applicant: **Kenney Manufacturing Company**,
Warwick, RI (US)

HK 1002373-0001 * 3/2011

(72) Inventor: **Timothy Elliott**, Attleboro, MA (US)

OTHER PUBLICATIONS

(73) Assignee: **Kenney Manufacturing Company**,
Warwick, RI (US)

Plastic Suction Tumbler Cup. iDesign (online) 13 pgs. Available May 10, 2014. [Retrieved Jun. 24, 2022] <https://www.amazon.com/iDesign-Plastic-Suction-Toothbrushes-Bathroom/dp/B001B1FEUS> (Year: 2014).*

(**) Term: **15 Years**

Small Suction Cup Bathroom Storage Caddy. Kenney (online) 1 pg. Available Jan. 2022. [Retrieved Jun. 24, 2022] <https://www.biglots.com/product/small-suction-cup-bathroom-storage-caddy/p810504140> (Year: 2022).*

(21) Appl. No.: **29/754,029**

(22) Filed: **Oct. 6, 2020**

* cited by examiner

(51) **LOC (14) Cl.** **06-04**

(52) **U.S. Cl.**

USPC **D6/525**

(58) **Field of Classification Search**

USPC D3/901, 304, 314; D6/524-531, 553,
D6/574, 567, 532, 536, 540; D8/71, 373;
D19/75, 102, 77, 21, 22, 23; D28/73, 77;
D32/55, 58; 206/209, 361, 369;
248/110; 211/65, 119.009

CPC A47K 1/08; A47K 1/09; A47K 5/18
See application file for complete search history.

Primary Examiner — Marie D. Fast Horse

Assistant Examiner — Jennifer Sierra Yosinski

(74) *Attorney, Agent, or Firm* — Adler Pollock & Sheehan P.C.

(57) **CLAIM**

The ornamental design for a suction cup accessory holder, as shown and described.

DESCRIPTION

(56) **References Cited**

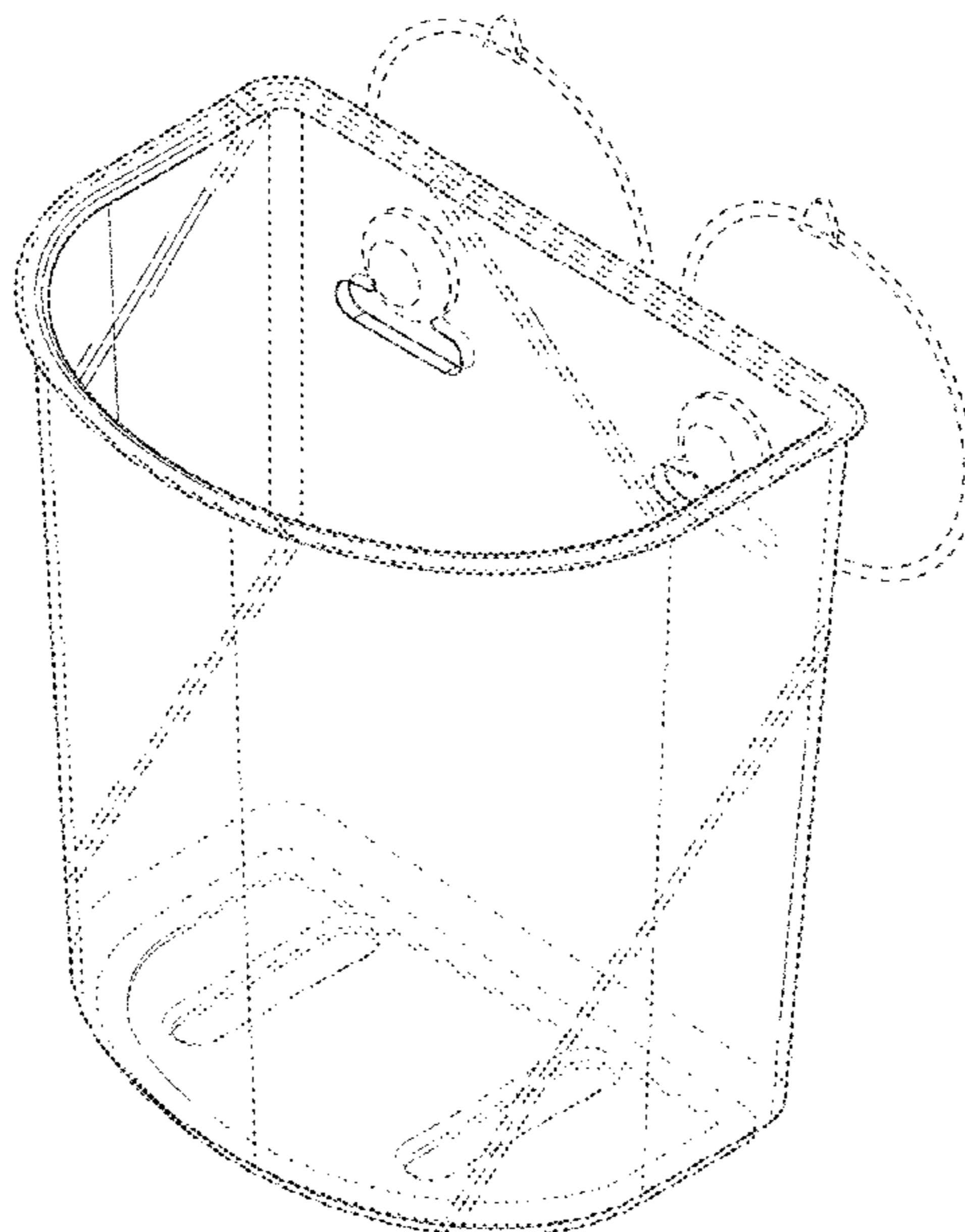
U.S. PATENT DOCUMENTS

D355,791 S	*	2/1995	Briley	D6/672
D416,421 S	*	11/1999	Hampshire	D3/304
D417,573 S	*	12/1999	Hampshire	D6/525
D419,352 S	*	1/2000	Hampshire	D3/304
D419,808 S	*	2/2000	Hampshire	D3/304
D486,022 S	*	2/2004	Shamoon	D6/553
D501,886 S	*	2/2005	Chen	D6/553
D566,361 S	*	4/2008	Snell	D6/567
D616,688 S	*	6/2010	Hernandez	D6/553
D618,675 S	*	6/2010	Thompson	D14/251
D727,654 S	*	4/2015	Tollasepp	D6/553
D794,893 S	*	8/2017	Libman	D32/55

FIG. 1 is a perspective view of a suction cup accessory holder according to my new design; FIG. 2 is a front view thereof; FIG. 3 is a back view thereof; FIG. 4 is a side view thereof; FIG. 5 is an opposite side view thereof; FIG. 6 is a top view thereof; and, FIG. 7 is a bottom view thereof.

The broken lines shown in the drawings depict portions of the suction cup accessory holder that form no part of claimed design.

1 Claim, 7 Drawing Sheets



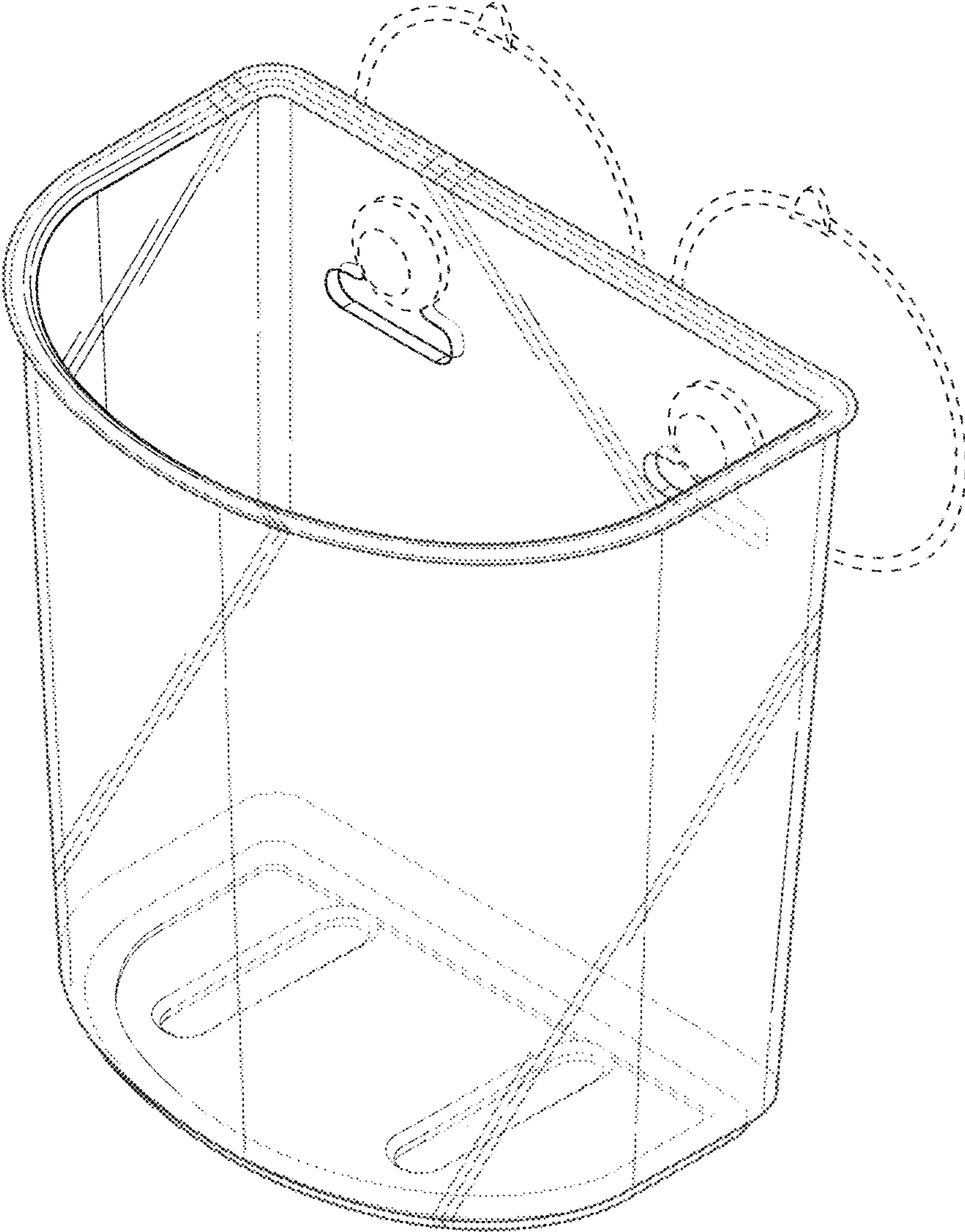


FIG. 1

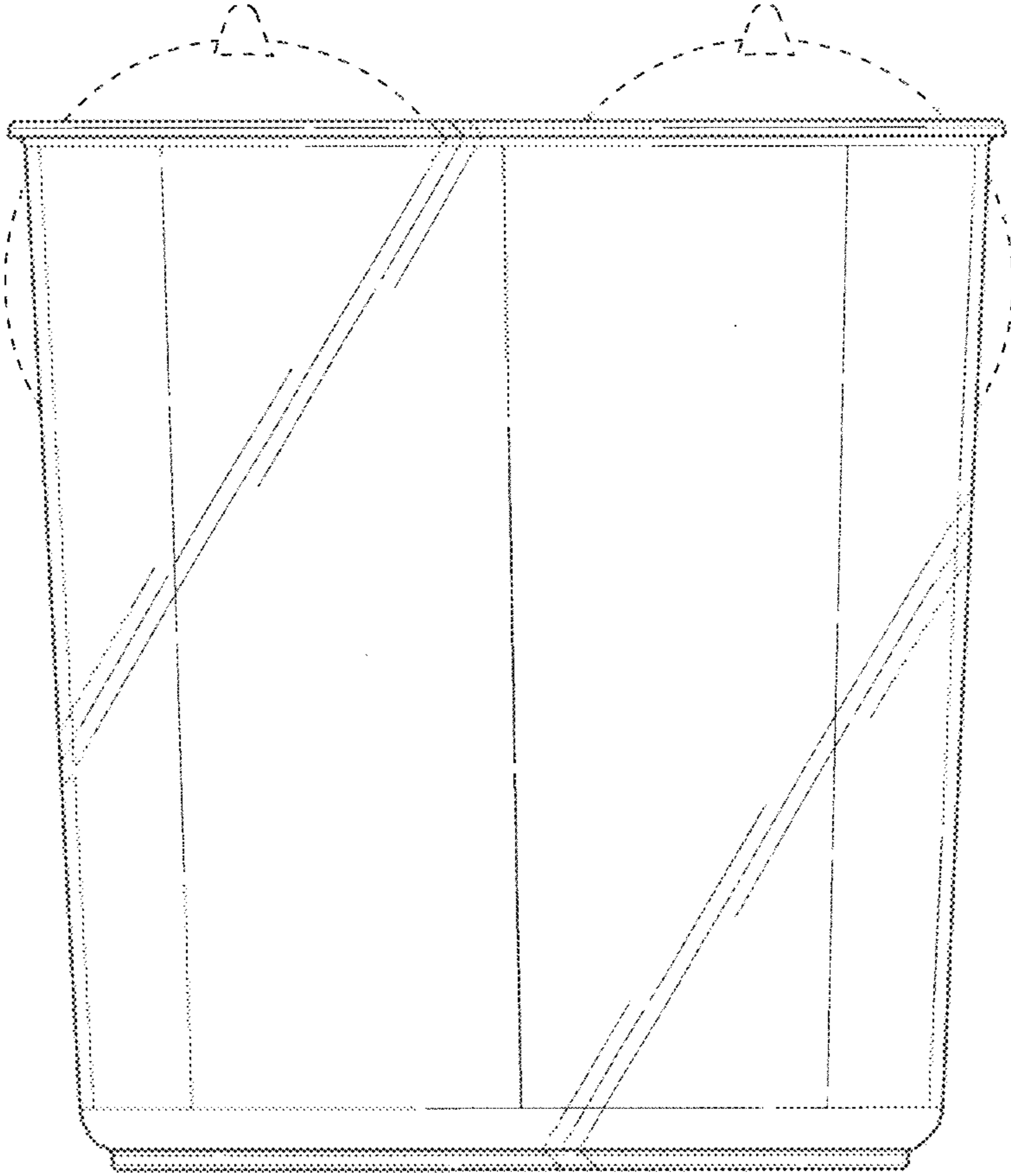


FIG. 2

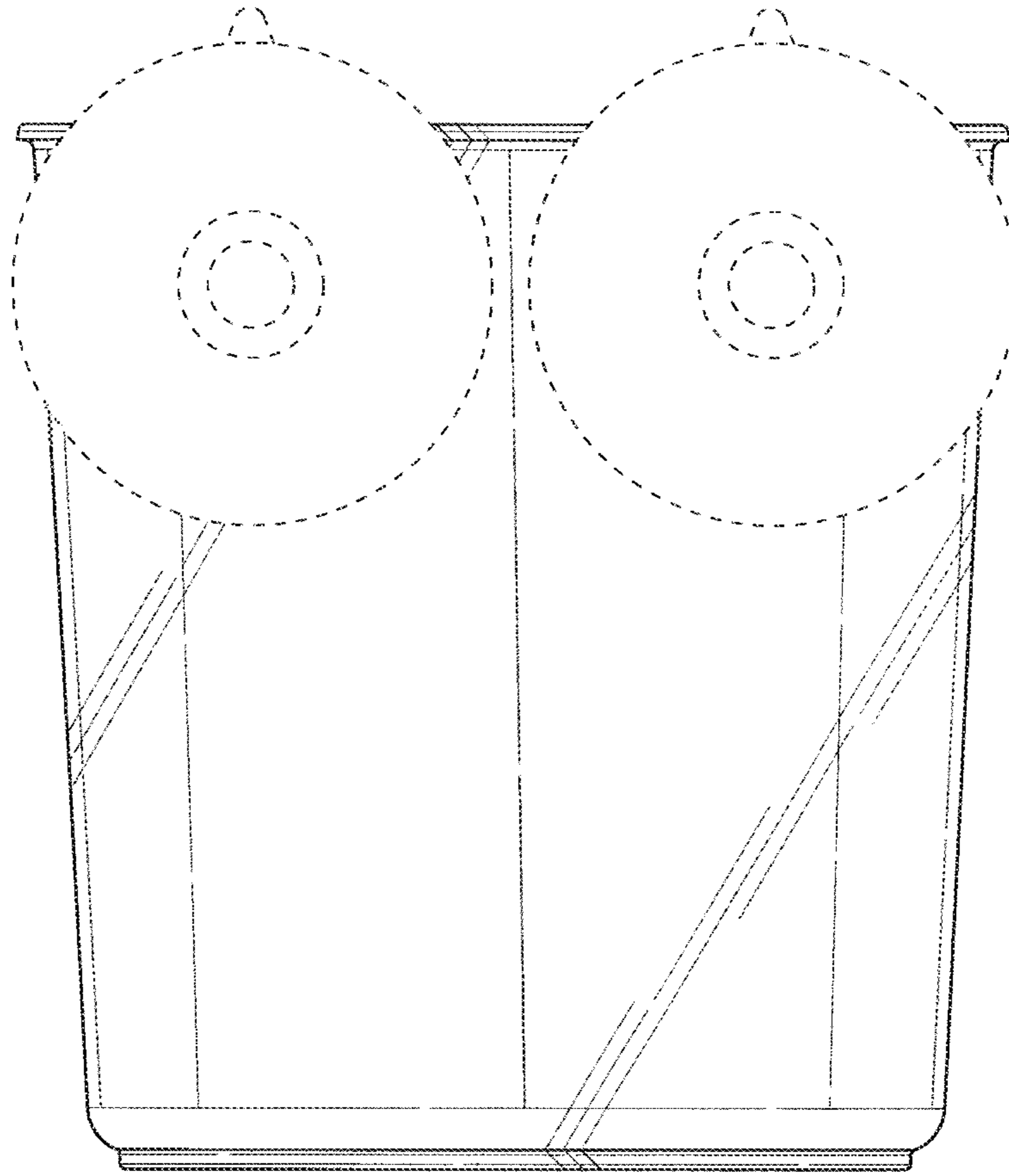


FIG. 3

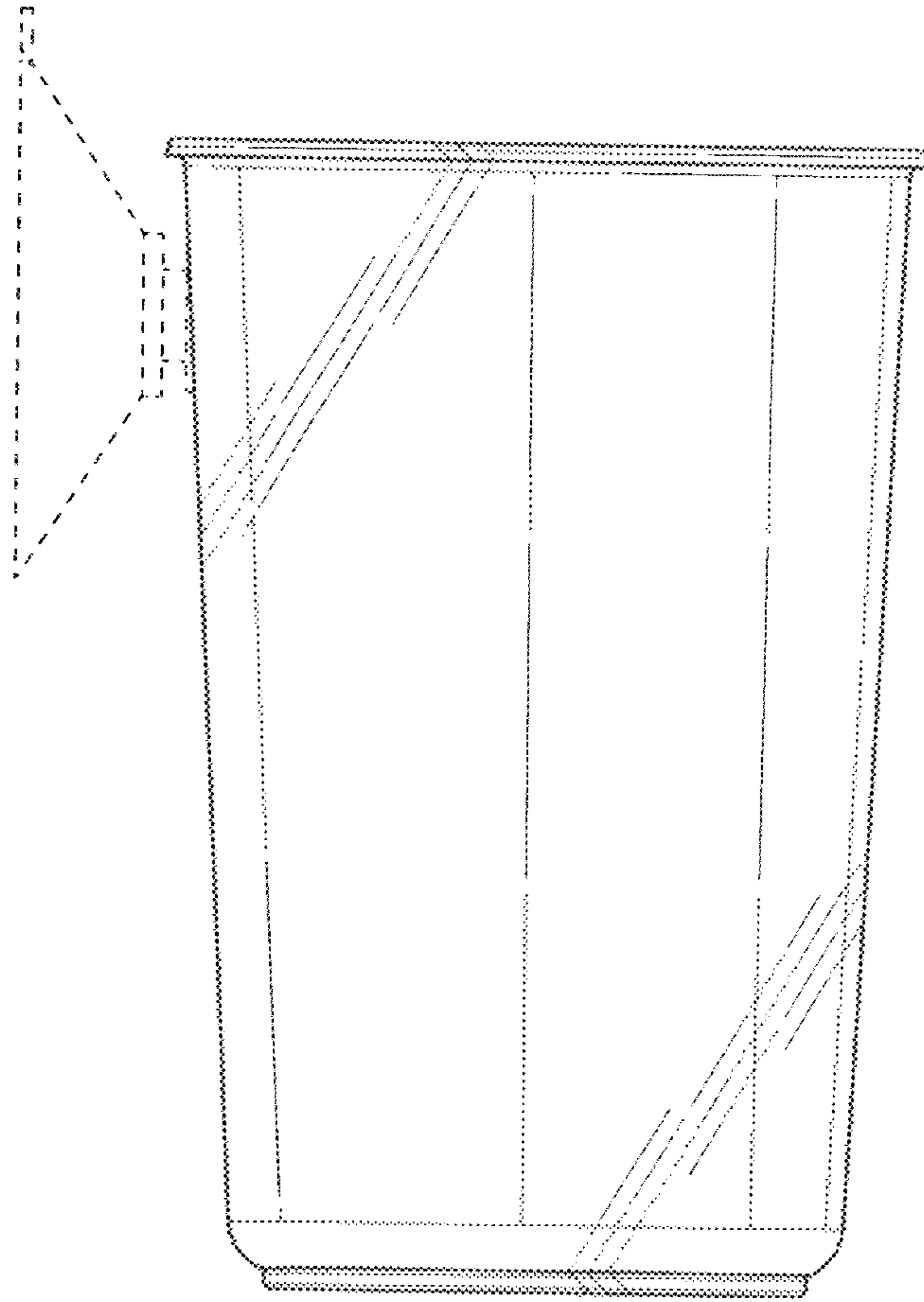


FIG. 4

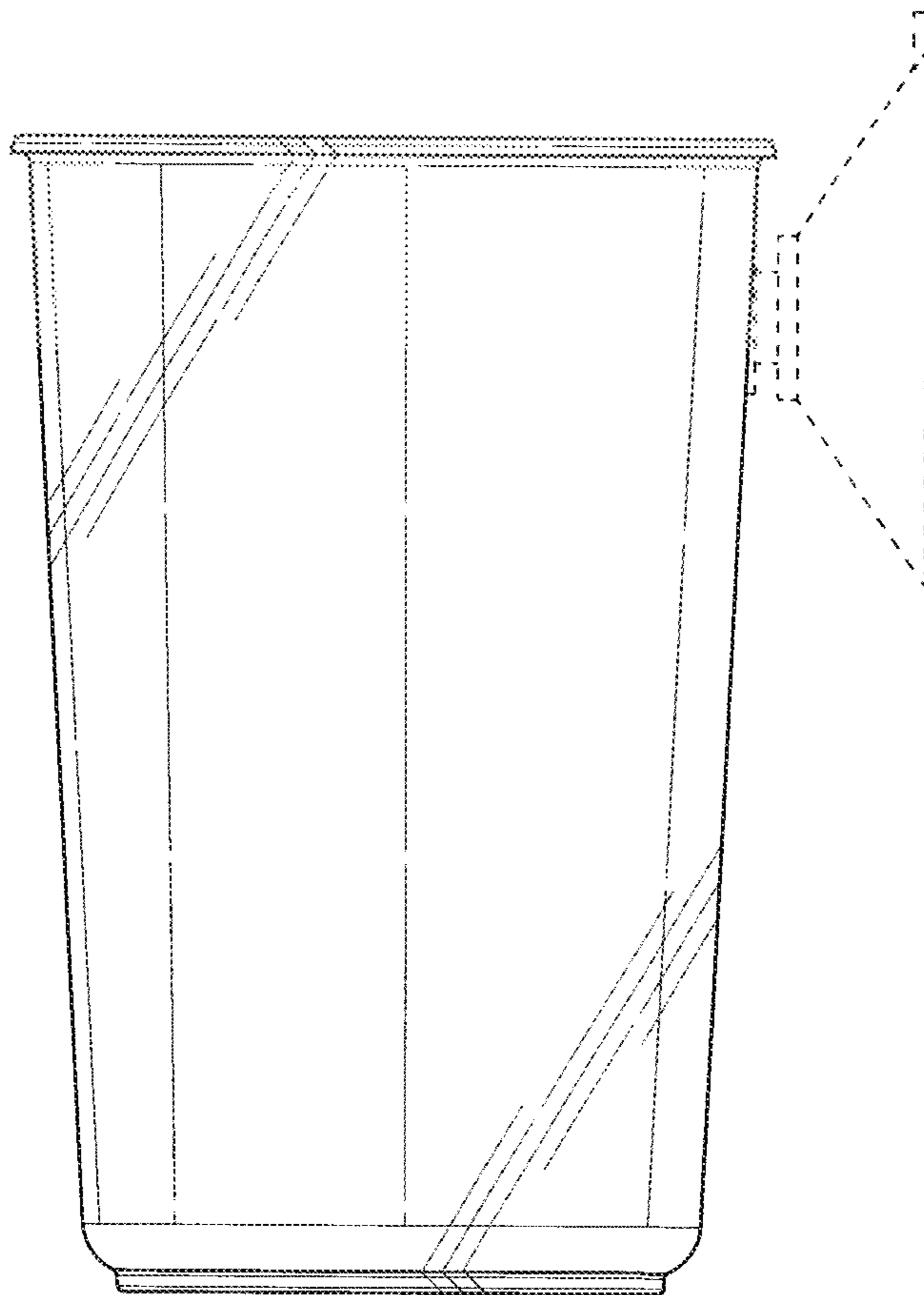


FIG. 5

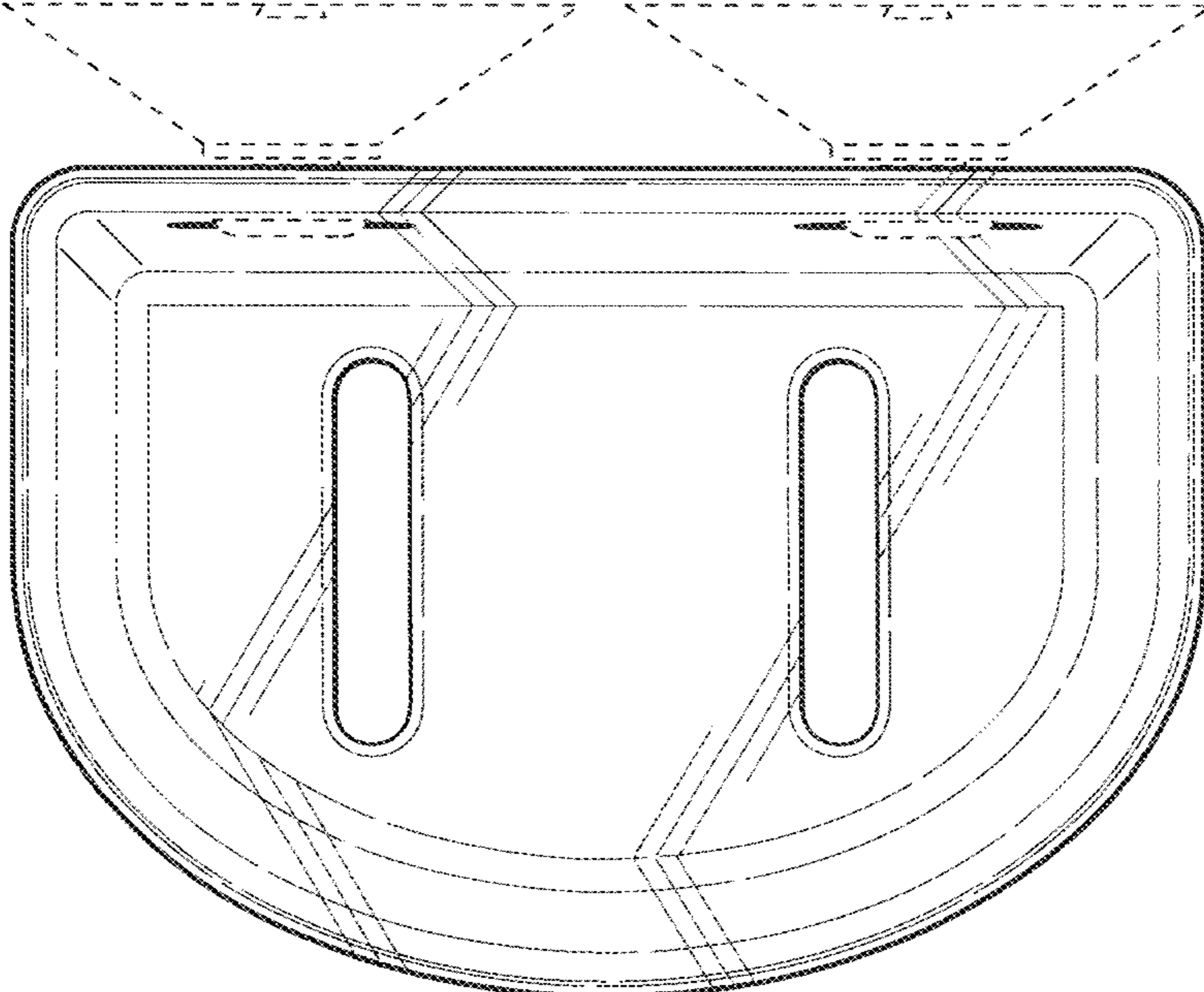


FIG. 6

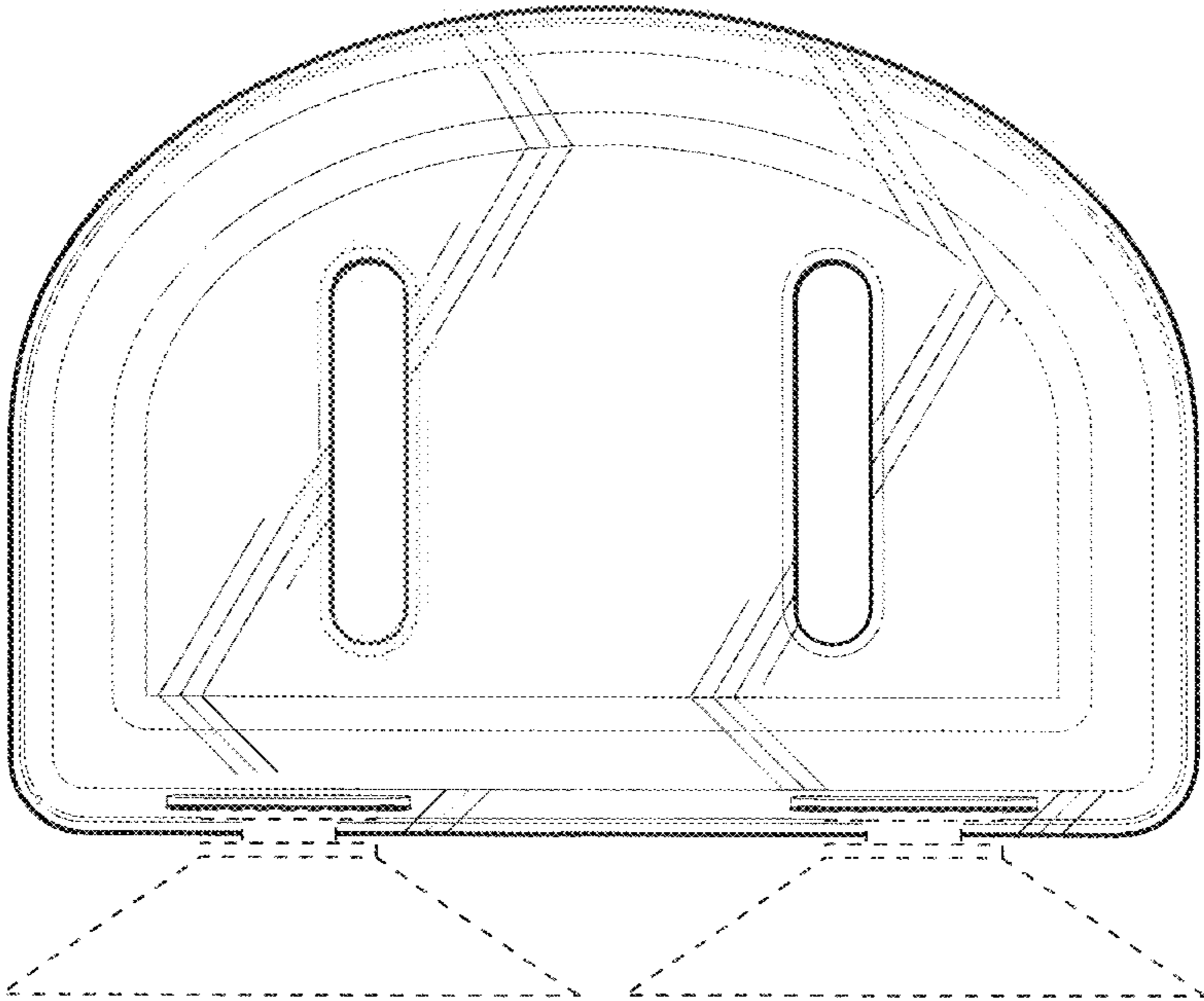


FIG. 7