



US00D978551S

(12) **United States Design Patent** (10) **Patent No.:** **US D978,551 S**
Mattiuzzo (45) **Date of Patent:** **** Feb. 21, 2023**

(54) **MEDICAL CHAIR**
(71) Applicant: **CEFLA Società Cooperativa, Imola (IT)**
(72) Inventor: **Giulio Mattiuzzo, Imola (IT)**
(**) Term: **15 Years**
(21) Appl. No.: **29/761,428**
(22) Filed: **Dec. 9, 2020**
(51) **LOC (14) Cl.** **06-01**
(52) **U.S. Cl.**
USPC **D6/367**
(58) **Field of Classification Search**
USPC D6/367, 371, 381; D23/184
CPC A47C 1/02; A47C 1/0355; A47C 1/037;
A47C 1/12; A47C 16/02; A47C 17/161;
A47C 7/407; A47C 7/506; A47C 7/5068;
A47C 7/52; A47C 7/566; A47C 7/68;
A47C 7/624
See application file for complete search history.

D846,907 S * 4/2019 Morgan D6/367
10,292,501 B1 * 5/2019 Brown A47C 7/004
D852,531 S * 7/2019 Morgan D6/367
D873,577 S * 1/2020 Chen D6/367
D897,711 S * 10/2020 Parcon D6/367
D921,383 S * 6/2021 Davis D6/364
D953,770 S * 6/2022 Parcon D6/392
2017/0065083 A1 * 3/2017 Baker A61G 15/12
2017/0119610 A1 * 5/2017 Christensen G16H 40/63

* cited by examiner

Primary Examiner — Kevin K Rudzinski
Assistant Examiner — Paul D Bohannon
(74) *Attorney, Agent, or Firm* — Themis Law

(57) **CLAIM**

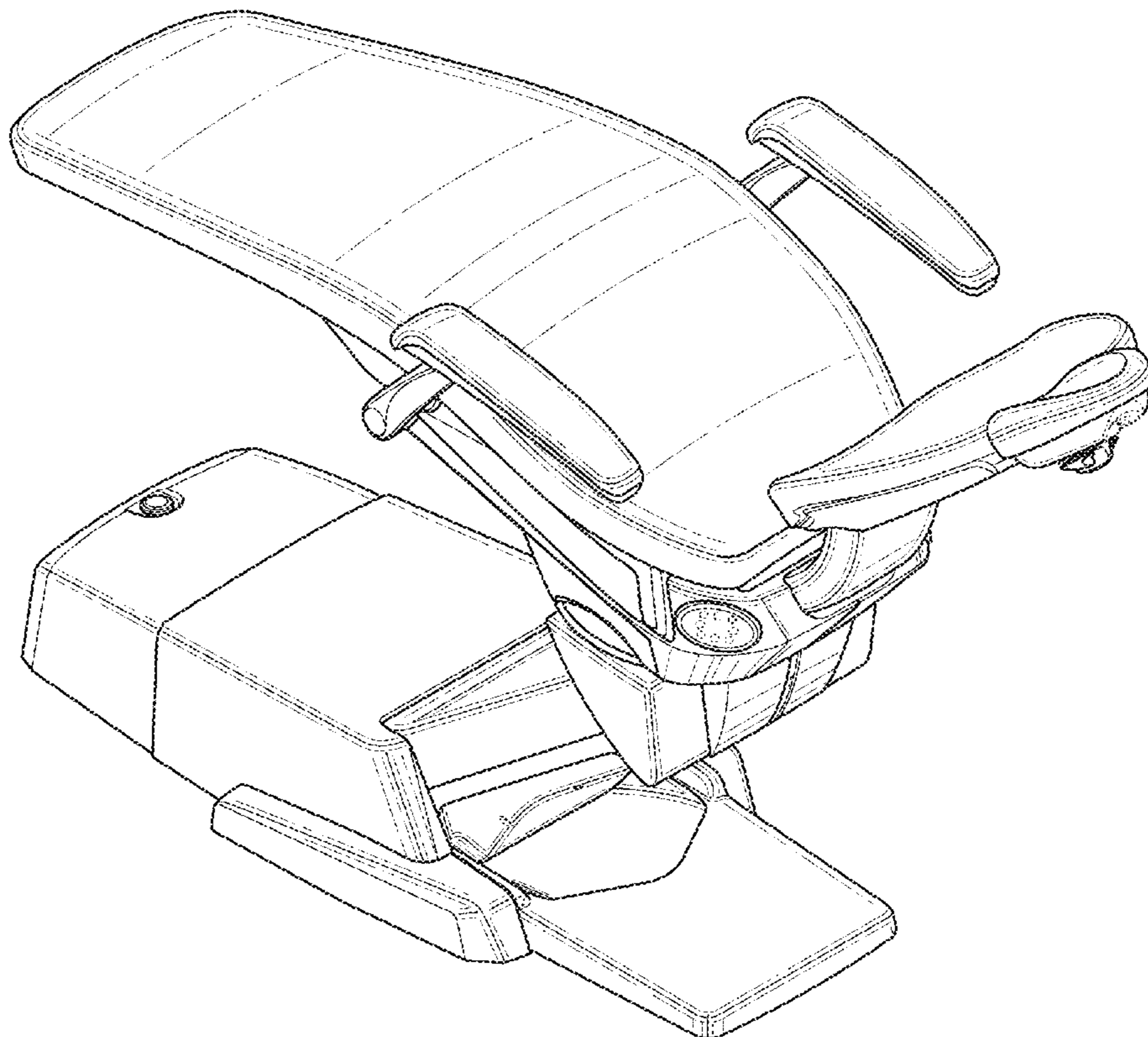
The ornamental design for a medical chair, as shown and described.

DESCRIPTION

FIG. 1 is a perspective view of a medical chair showing my new design;
FIG. 2 is a front elevational view thereof;
FIG. 3 is a rear elevational view thereof;
FIG. 4 is a right elevational view thereof;
FIG. 5 is a left elevational thereof
FIG. 6 is a top plan view thereof; and,
FIG. 7 is a bottom plan view thereof.
The broken lines shown in the drawings illustrate portions of the article that form no part of the claimed design.

1 Claim, 7 Drawing Sheets

(56) **References Cited**
U.S. PATENT DOCUMENTS
D405,284 S * 2/1999 van den Heuvel D6/367
D565,315 S * 4/2008 Nielsen D6/367
D583,952 S * 12/2008 Genelli D24/183
D583,953 S * 12/2008 Genelli D24/183
D583,954 S * 12/2008 Genelli D24/183
9,597,243 B1 * 3/2017 Helmick A61G 15/12



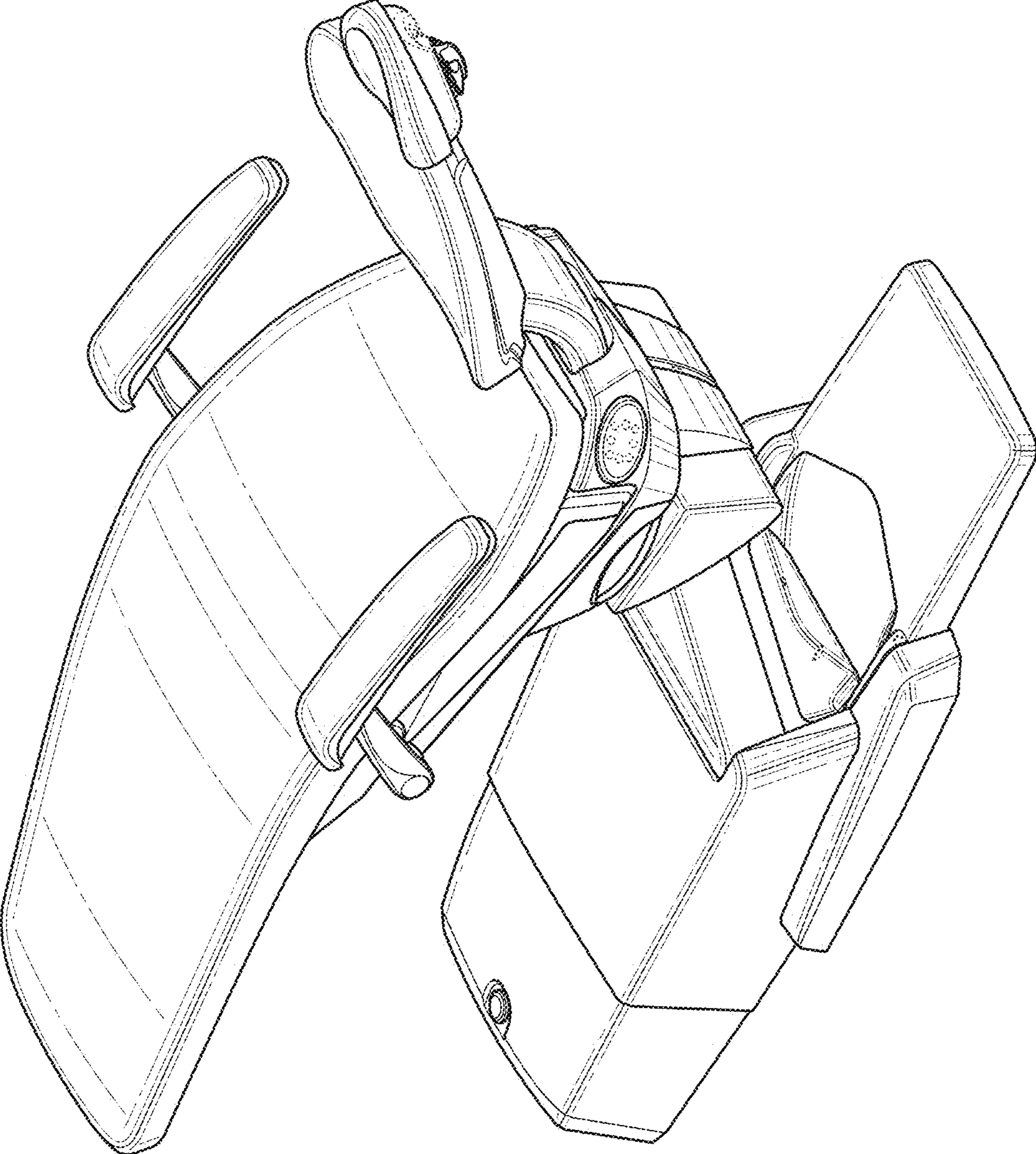


FIG. 1

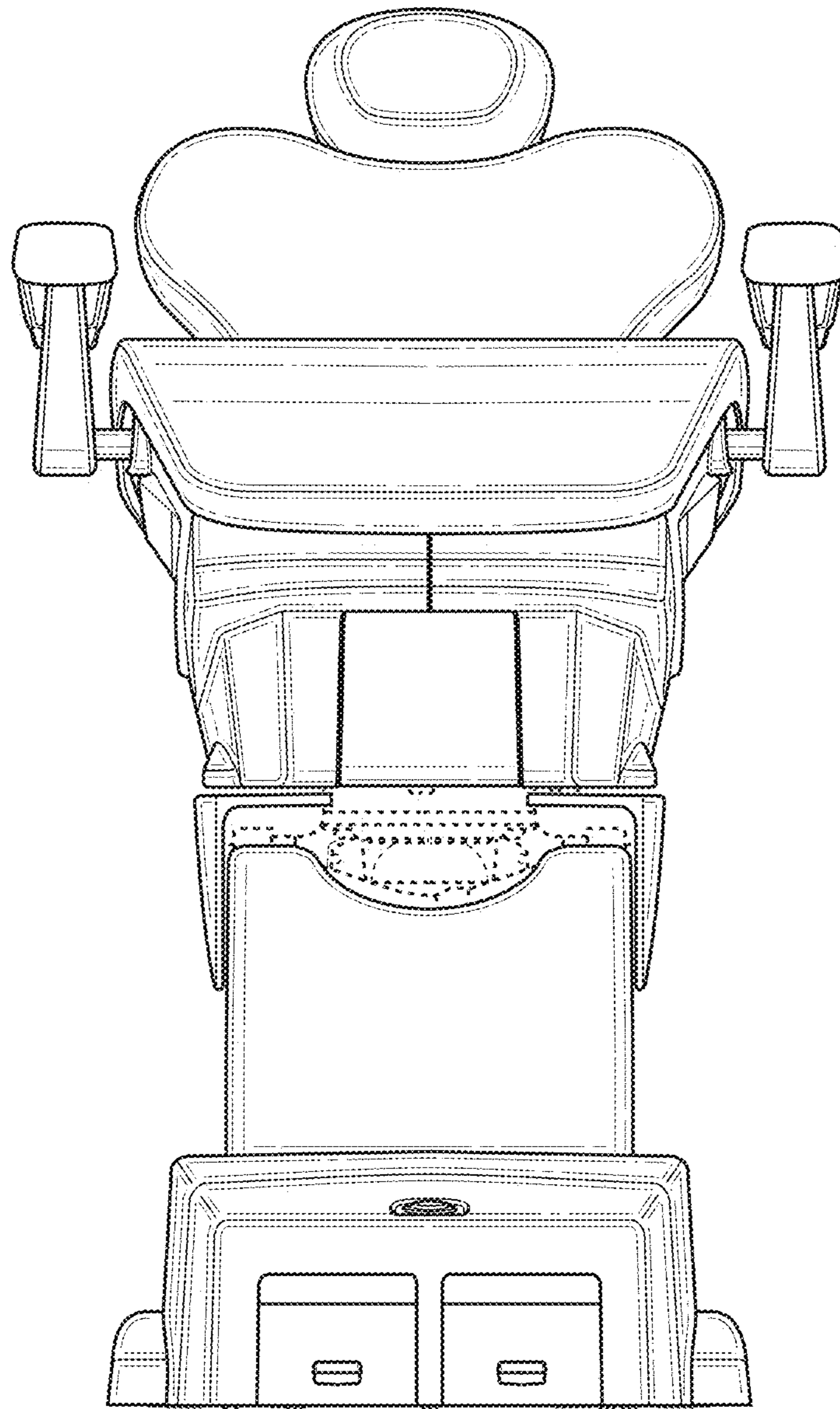


FIG. 2

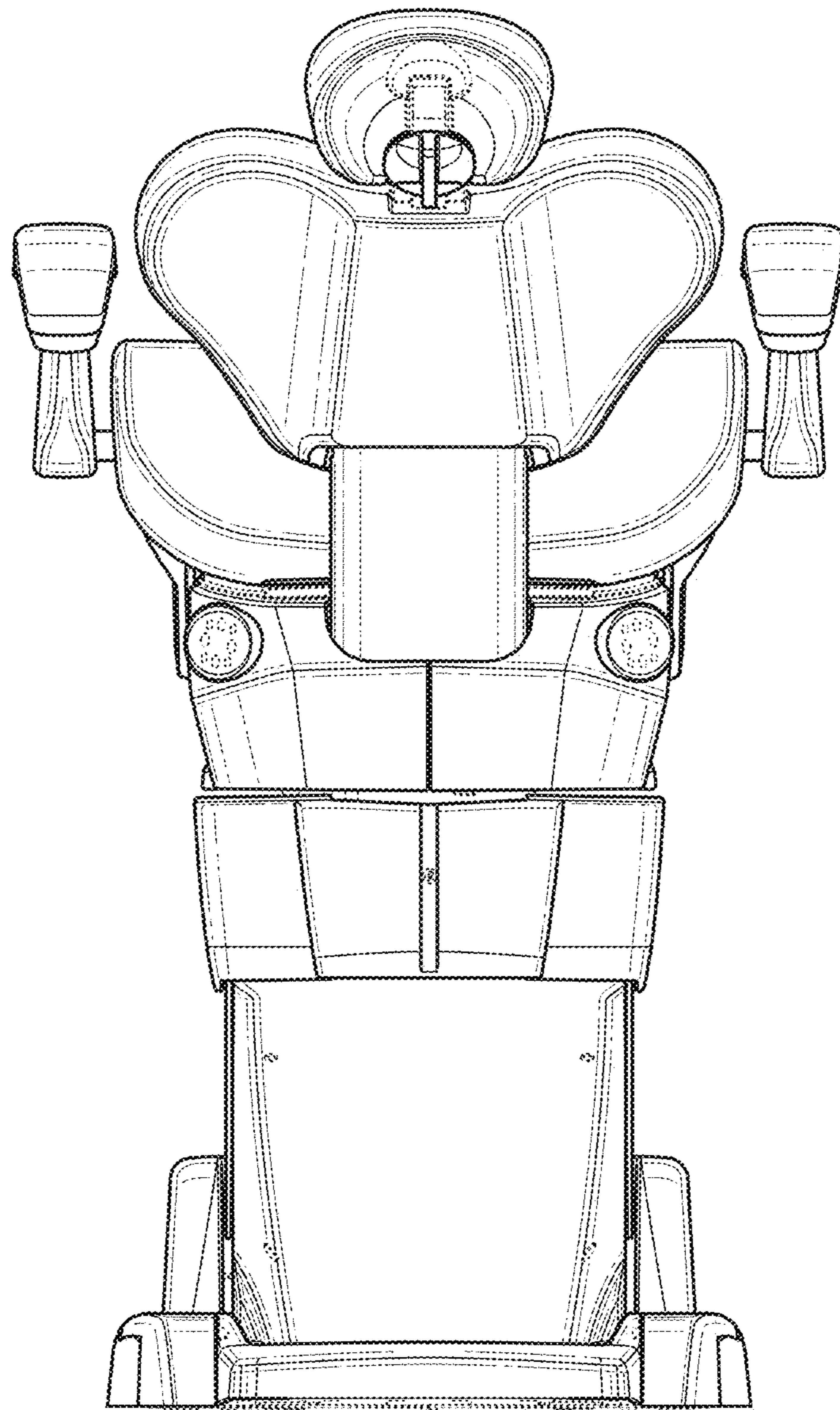


FIG. 3

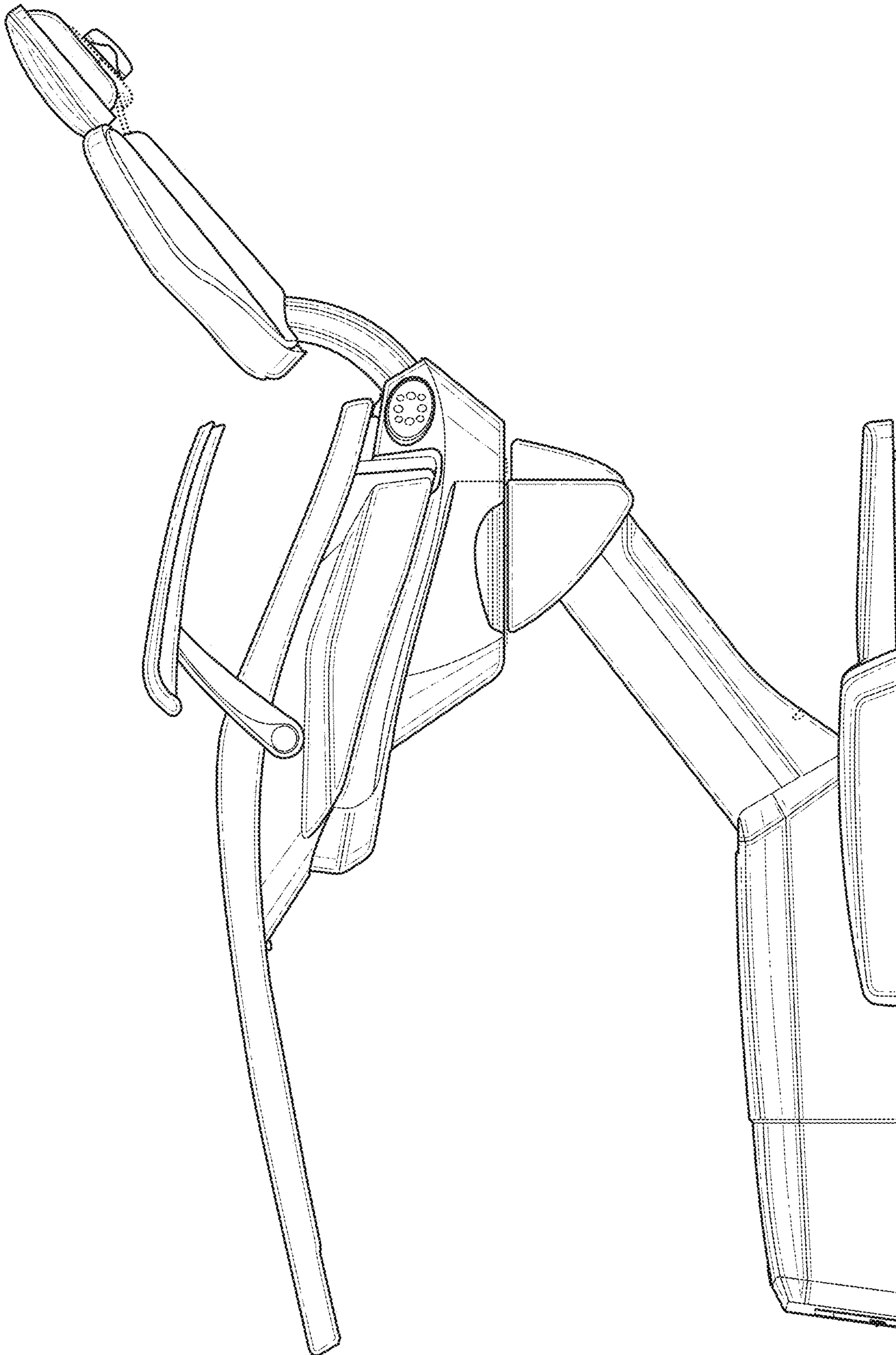


FIG. 4

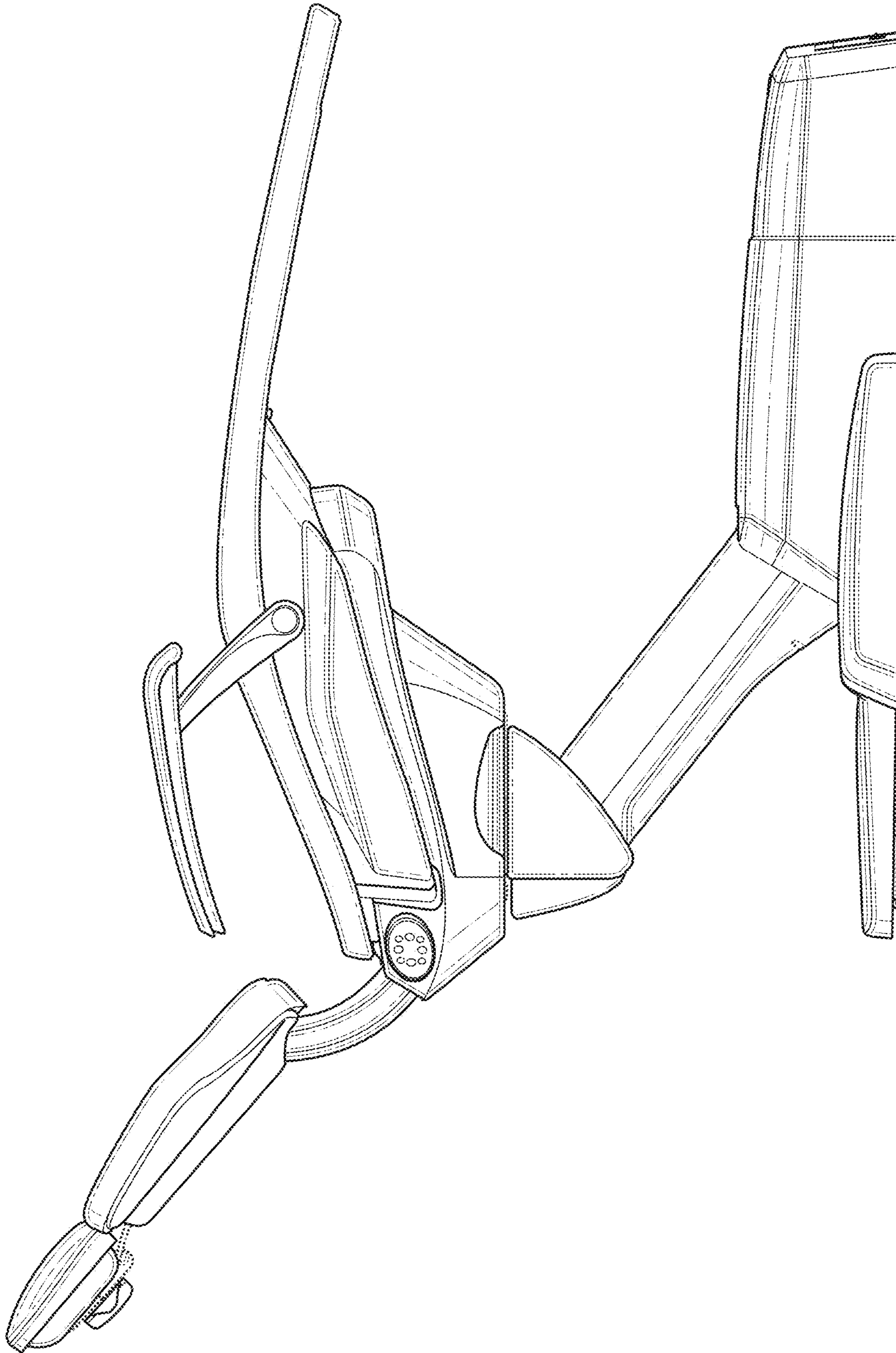


FIG. 5

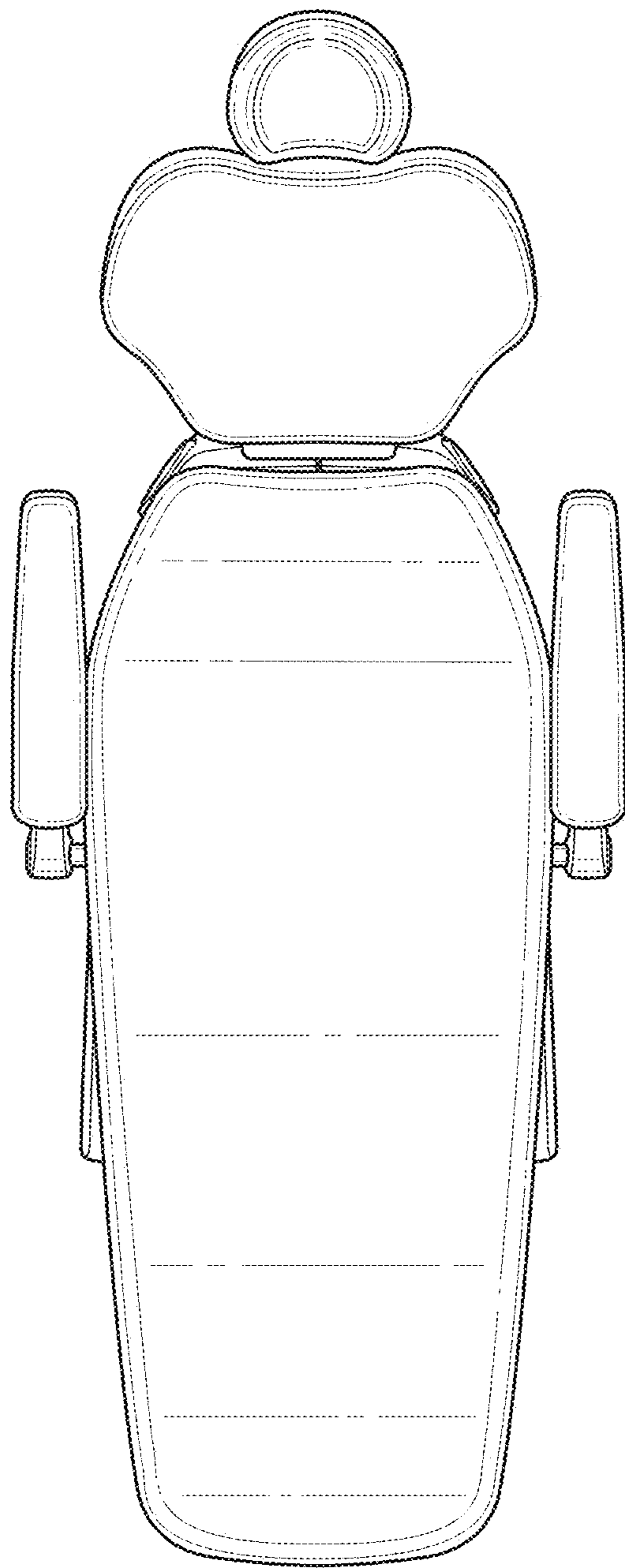


FIG. 6

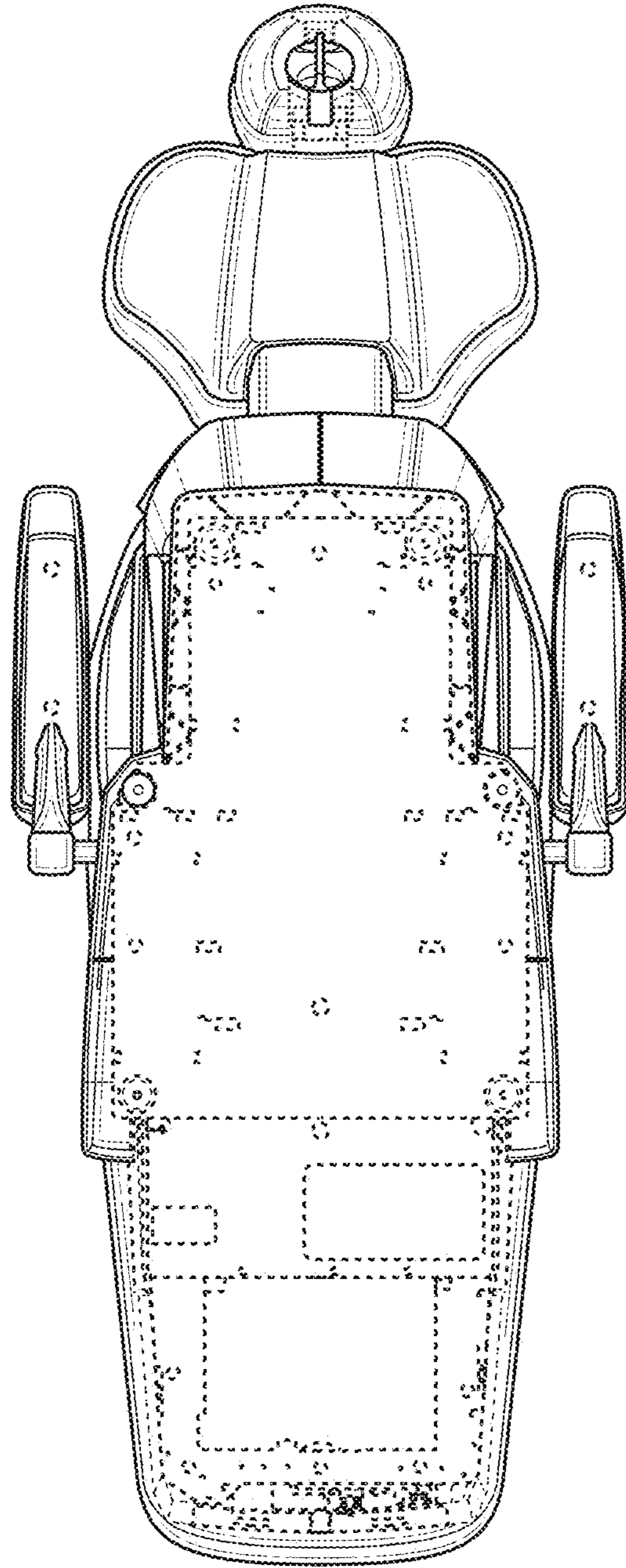


FIG. 7