



US00D978548S

(12) **United States Design Patent** (10) **Patent No.:** **US D978,548 S**
Morrison et al. (45) **Date of Patent:** **** Feb. 21, 2023**

(54) **AIRCRAFT SEATING CONFIGURATION**

(71) Applicant: **Alakai Technologies Corporation**,
Hopkinton, MA (US)

(72) Inventors: **Brian D. Morrison**, Hopkinton, MA
(US); **Andre H. De Salis**, Pasadena,
CA (US); **Martti J. Lampela**, Los
Angeles, CA (US); **Adil M. Ali**,
Thousand Oaks, CA (US); **Peter F.**
Falt, Thousand Oaks, CA (US)

(73) Assignee: **Alakai Technologies Corporation**,
Stow, MA (US)

(**) Term: **15 Years**

(21) Appl. No.: **29/692,492**

(22) Filed: **May 24, 2019**

(51) **LOC (14) Cl.** **06-01**

(52) **U.S. Cl.**
USPC **D6/356**

(58) **Field of Classification Search**
USPC D6/335, 336, 338, 356, 357, 377, 643,
D6/661.3, 716, 717; D12/52, 345;
D16/215; D21/521, 534, 535, 536, 537,
D21/538, 539, 674, 676, 687, 688, 690,
D21/828; D25/16, 58; D30/118;
D15/28

CPC ... B64D 11/06; B64D 11/064; B64D 11/0601;
B64D 11/0602; B64D 11/0604; B64D
11/0605; B64D 11/0606; B64D 11/0638;
B64D 11/0641; B64D 11/0642; B64D
11/0643; B64D 11/0644; B64D 11/0647;
B64D 13/00; B60N 2/002; B60N 2/005;
B60N 2/01; B60N 2/22; B60N 2/34;
B60N 2/91; B60N 2/242; B60N 2/345;
B60N 2/583; B60N 2/995; B60N 2/4221;
B60N 2/4606; B60N 2/7011; B60N 2/00;
B60N 2/015; B60N 2/02; B60N 2/80;
A47C 1/036; A47C 1/037; A47C 1/02;

A47C 1/14; A47C 1/16; A47C 1/143;
A47C 1/146; A47C 1/0342; A47C 3/12;
A47C 4/03; A47C 4/024; A47C 5/12;
A47C 7/26; A47C 7/506; A47C 7/021;
A47C 7/16; A47C 7/18; A47C 7/54;
A47C 7/62; A47C 7/70; A47C 7/744;
A47C 7/185; Y10T 29/49826

See application file for complete search history.

(56) **References Cited**

U.S. PATENT DOCUMENTS

3,729,228 A *	4/1973	Inoue	B60N 2/803 297/396
D536,545 S *	2/2007	Young	D6/356
D606,344 S *	12/2009	Aruga	D6/717
D651,002 S *	12/2011	Fleming	D6/356
D651,003 S *	12/2011	Fleming	D6/356
D773,840 S *	12/2016	Tse	D15/28

(Continued)

Primary Examiner — Kevin K Rudzinski

Assistant Examiner — Paul D Bohannon

(74) *Attorney, Agent, or Firm* — Morse, Barnes-Brown &
Pendleton, P.C.; Sean D. Detweiler, Esq.

(57) **CLAIM**

The ornamental design for the aircraft seating configuration,
as shown and described.

DESCRIPTION

FIG. 1 is a front left elevated isometric view of the aircraft
seating configuration;

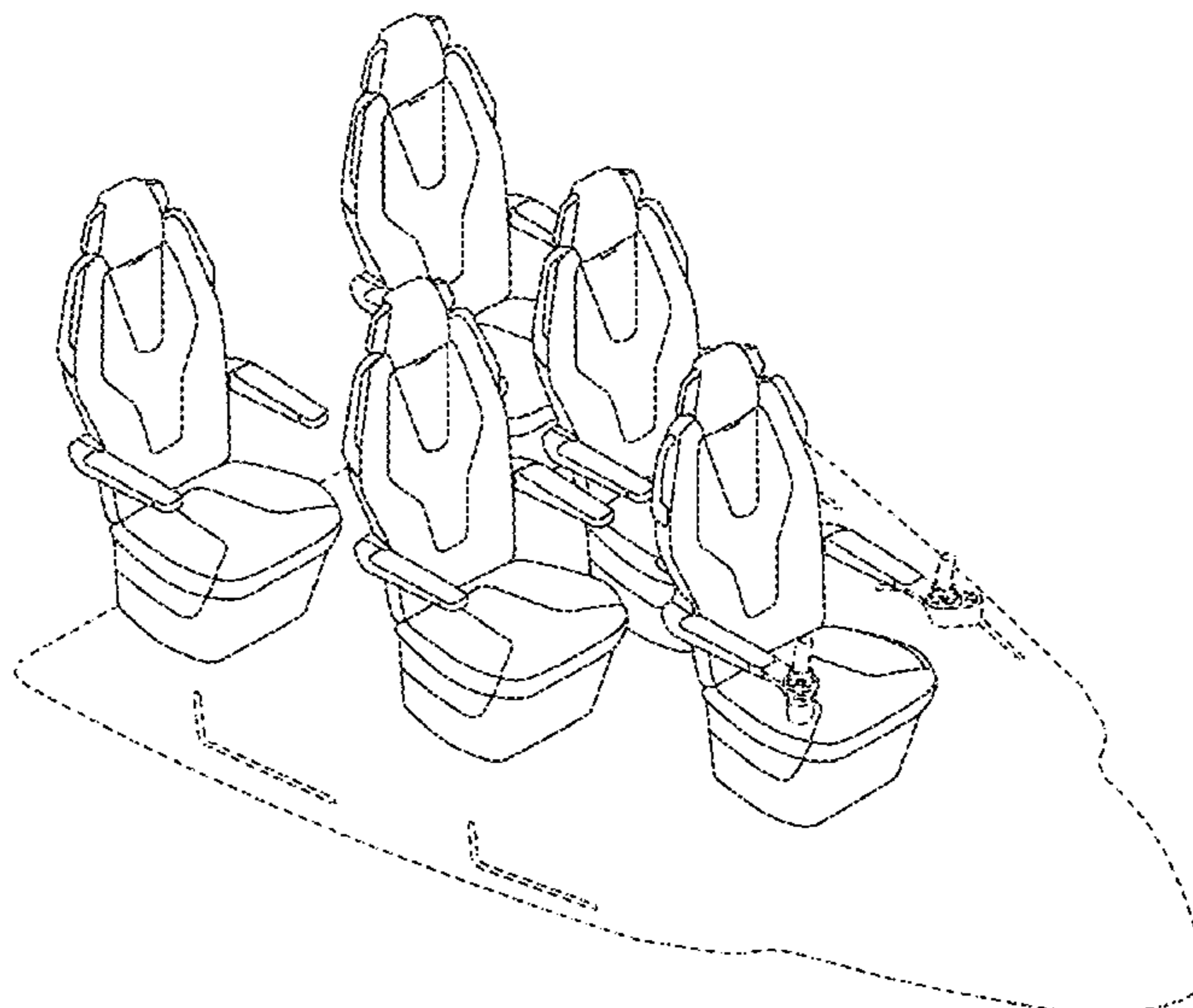
FIG. 2 is a top plan view of the aircraft seating configuration;

FIG. 3 is a right side plan view of the aircraft seating
configuration; and,

FIG. 4 is a left side plan view of the aircraft seating
configuration.

The broken lines shown in the drawings illustrate portions of
the article that form no part of the claimed design.

1 Claim, 4 Drawing Sheets



(56)

References Cited

U.S. PATENT DOCUMENTS

D808,675	S	*	1/2018	Fontaeus	D6/356
D822,397	S	*	7/2018	Waterhouse	D6/356
D856,015	S	*	8/2019	Von Holzhausen	D6/356
D856,016	S	*	8/2019	Von Holzhausen	D6/356
D856,017	S	*	8/2019	Ott	D6/356
D894,621	S	*	9/2020	Morrison	D6/356
D938,745	S	*	12/2021	Turac	D6/356

* cited by examiner

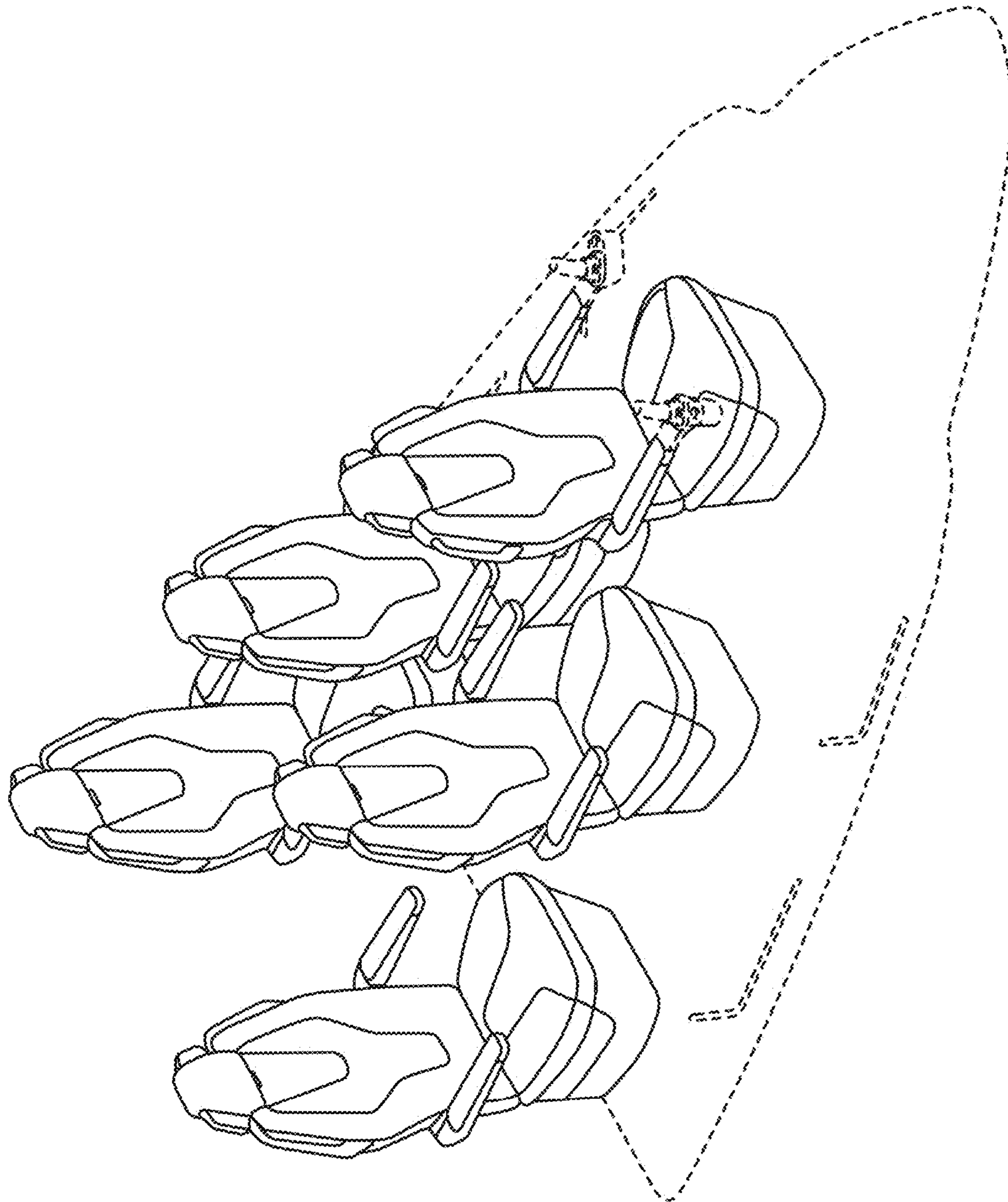


FIG. 1

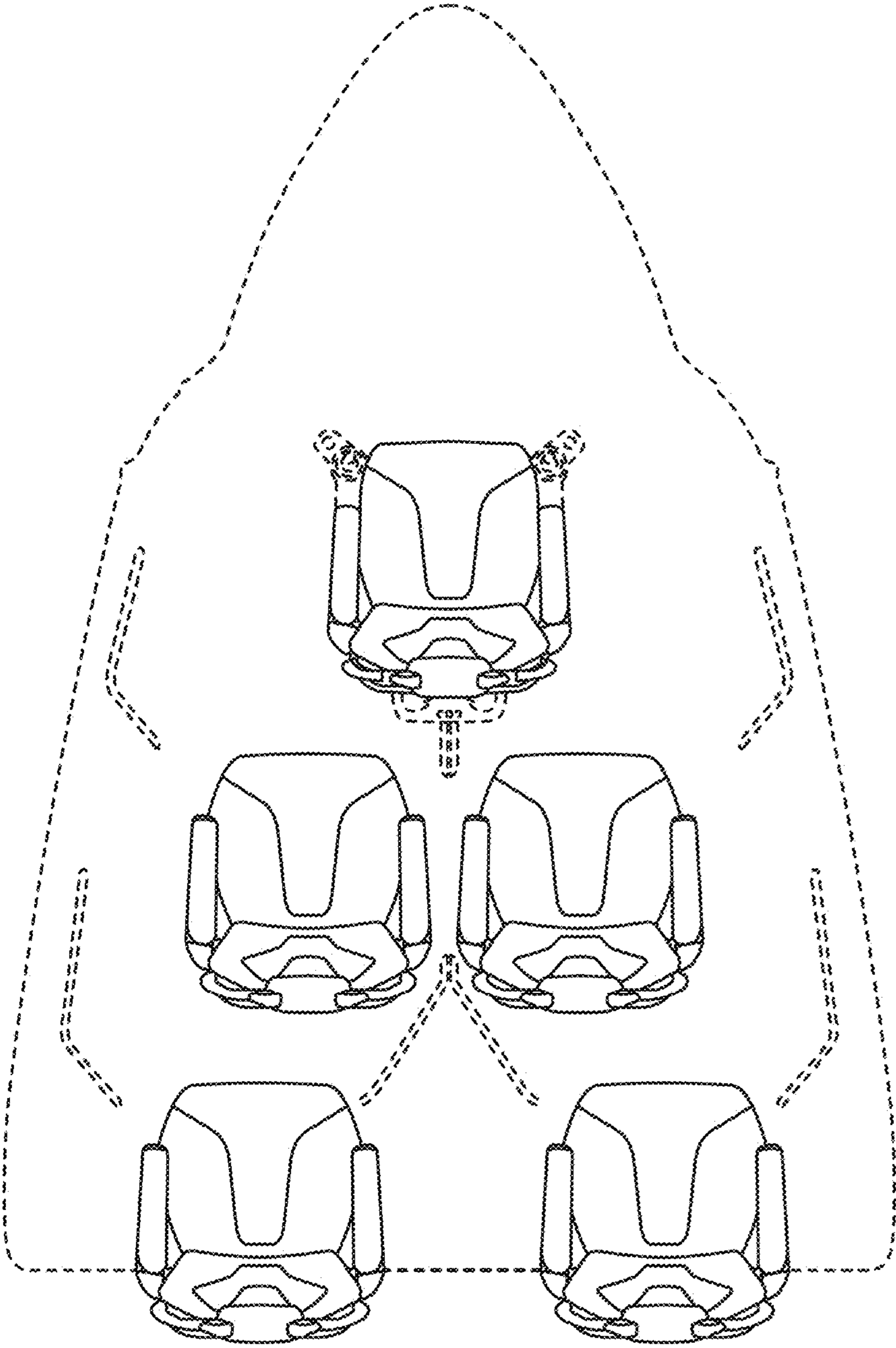


FIG. 2

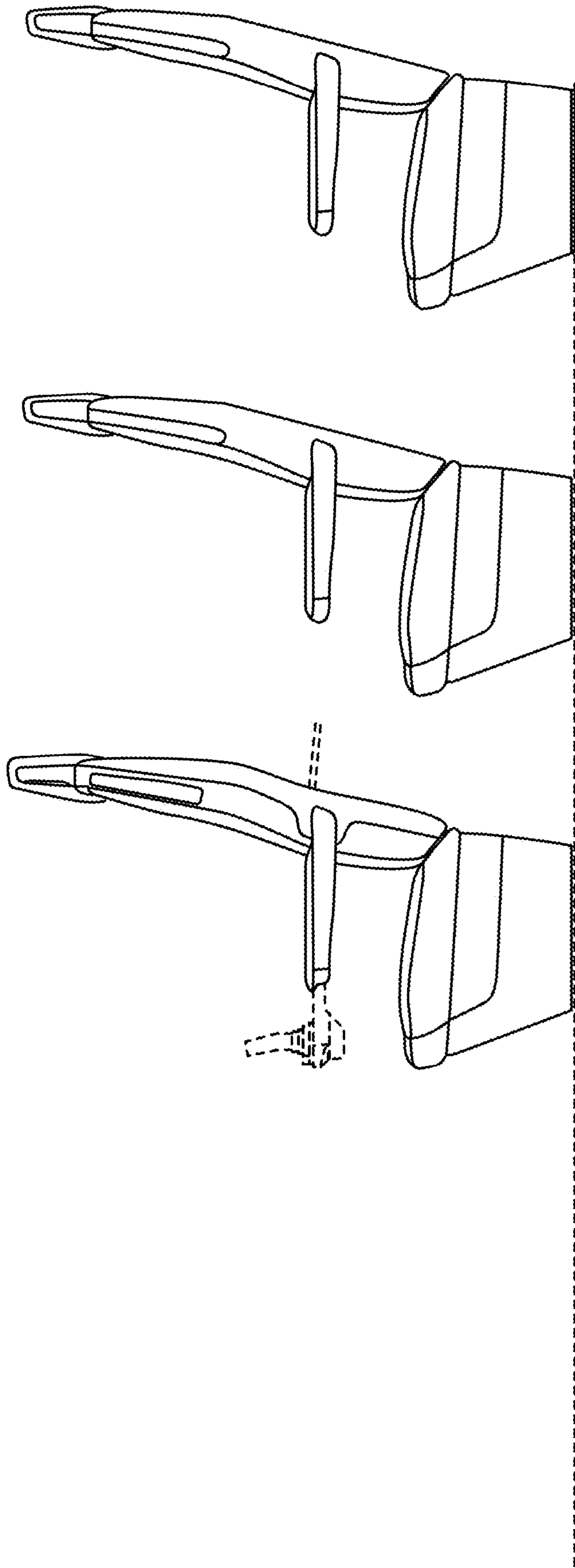


FIG. 3

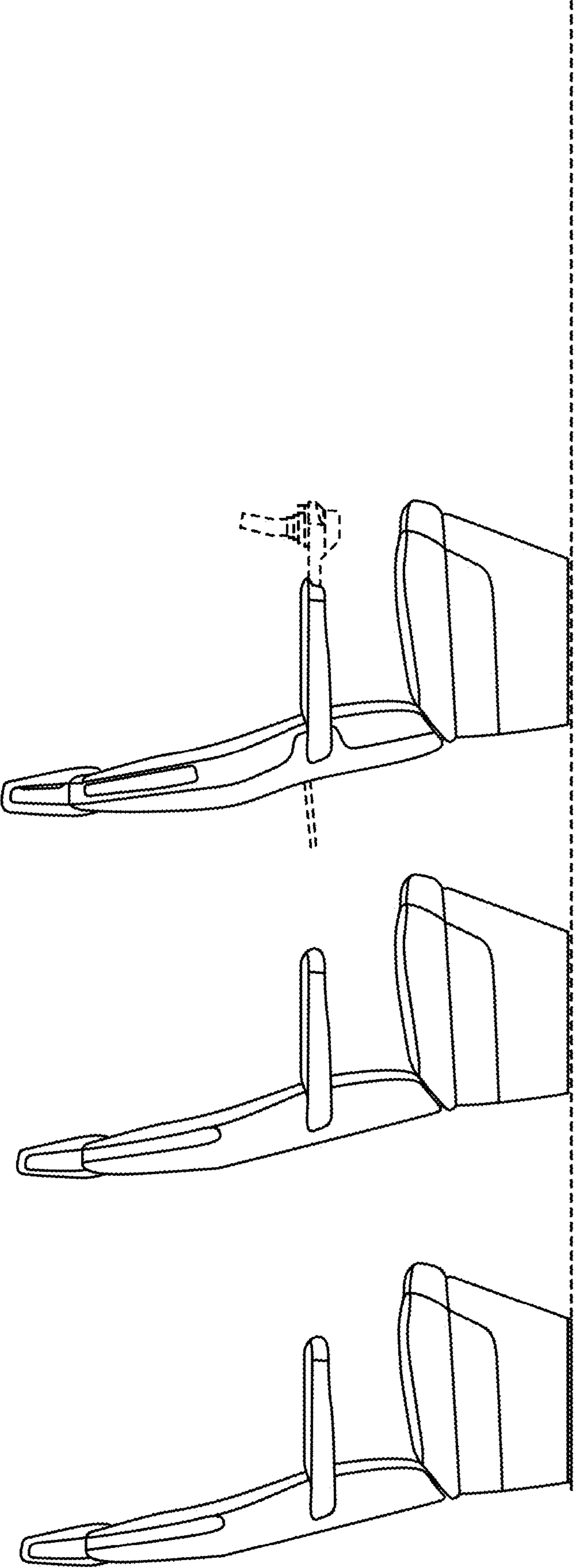


FIG. 4