



US00D978546S

(12) **United States Design Patent** (10) **Patent No.:** **US D978,546 S**
Backman et al. (45) **Date of Patent:** **** Feb. 21, 2023**

(54) **SHOWER CHAIR**

(56) **References Cited**

(71) Applicant: **Arjo IP Holding AB**, Malmö (SE)

U.S. PATENT DOCUMENTS

(72) Inventors: **Jon Backman**, Malmö (SE); **Hjalmar Lundström Hallberg**, Helsingborg (SE); **Andreas Nilsson**, Hassleholm (SE); **Anders Åbjörnsson**, Helsingborg (SE)

D360,172 S *	7/1995	Francke	D12/128
D389,099 S *	1/1998	McKay	D12/128
D439,869 S *	4/2001	Kjell	D12/128
D800,877 S *	10/2017	Uche	D23/299
D821,927 S *	7/2018	Wills	D12/133
D867,779 S *	11/2019	Chang	D6/374
D868,493 S *	12/2019	Chang	D6/374

(73) Assignee: **Arjo IP Holding AB**, Malmö (SE)

* cited by examiner

(**) Term: **15 Years**

Primary Examiner — Abraham Bahta

(21) Appl. No.: **29/787,155**

(74) *Attorney, Agent, or Firm* — The Webb Law Firm

(22) Filed: **Jun. 4, 2021**

(57) **CLAIM**

(30) **Foreign Application Priority Data**

The ornamental design for a shower chair, as shown and described.

Apr. 6, 2021 (WO) WIPO103525

(51) **LOC (14) Cl.** **06-01**

(52) **U.S. Cl.**
USPC **D6/339**

DESCRIPTION

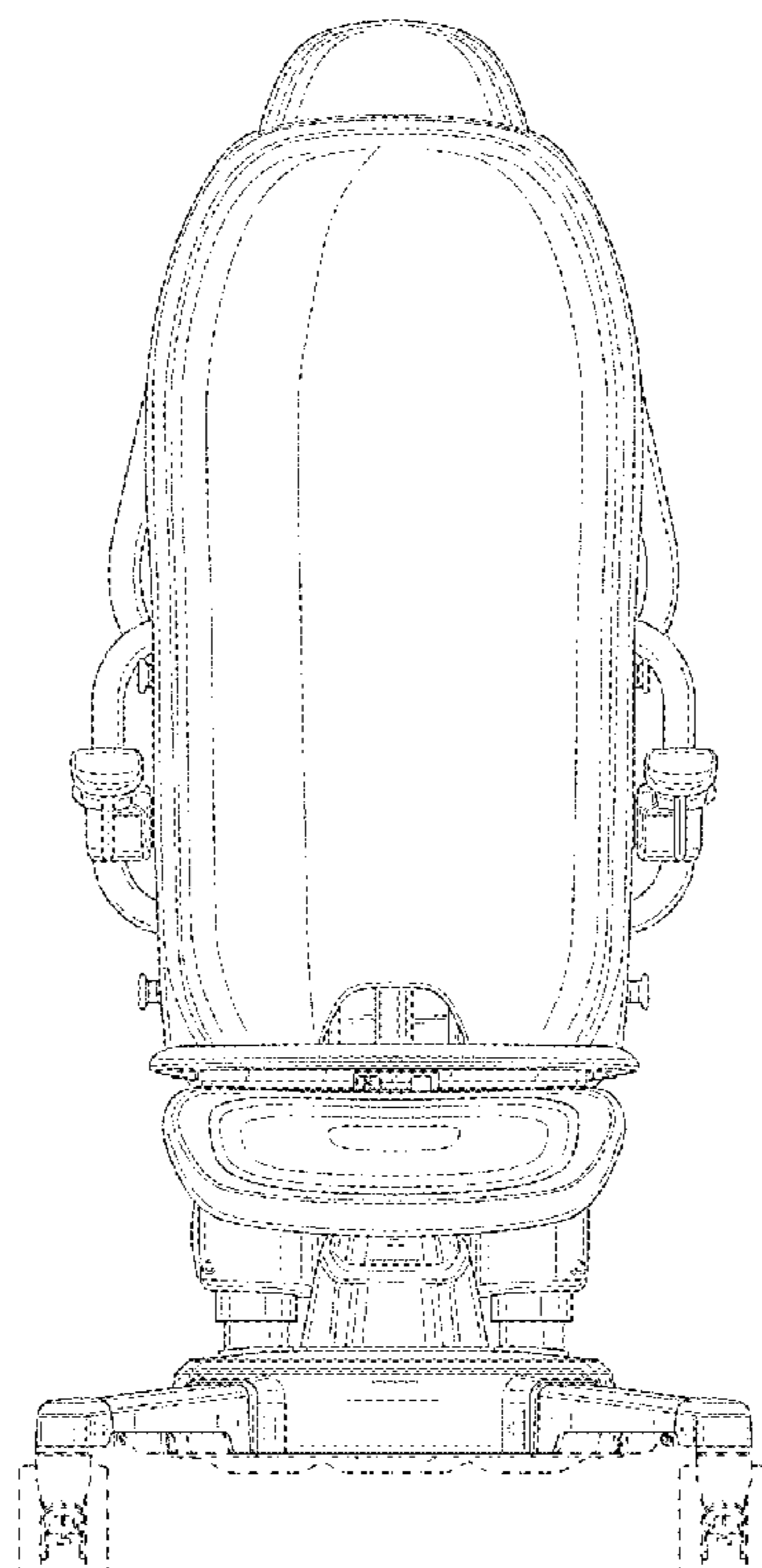
(58) **Field of Classification Search**

USPC D12/128–130; D6/333, 339, 364;
D21/533–535, 476, 419, 426, 414;
280/647, 642, 771, 7.1, 7.17, 87.041,
280/87.05, 47.38, 250.1; 267/5;
135/65–67; 224/409; 482/66, 69; 297/5,
297/6, 213
CPC A47D 13/043; A47D 13/107; A47D 13/04;
B62B 7/12; A47C 4/03; A47C 4/18;
A47C 4/20; A47C 5/12; A47K 3/12;
A47K 3/122; A47K 3/282

FIG. 1 is a front elevation view of a shower chair, showing our new design in accordance with the present invention; FIG. 2 is a rear elevation view thereof; FIG. 3 is a top view thereof; FIG. 4 is a left side perspective view thereof, the right side perspective view being a mirror image thereof; FIG. 5 is an upper front perspective view thereof; and, FIG. 6 is a lower rear perspective view thereof. The portions of the shower chair shown in broken lines form no part of the claimed design.

See application file for complete search history.

1 Claim, 6 Drawing Sheets



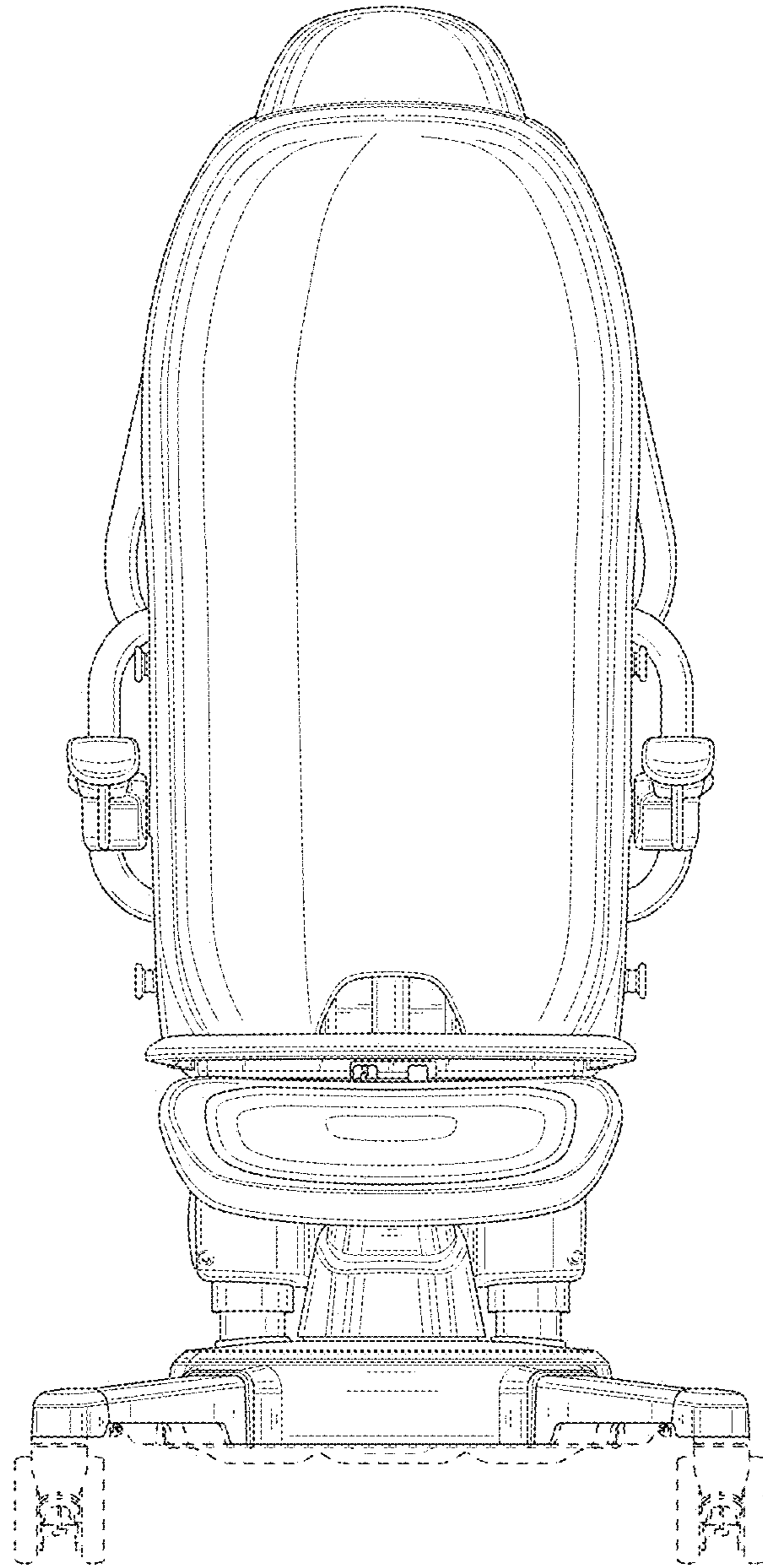


FIG. 1

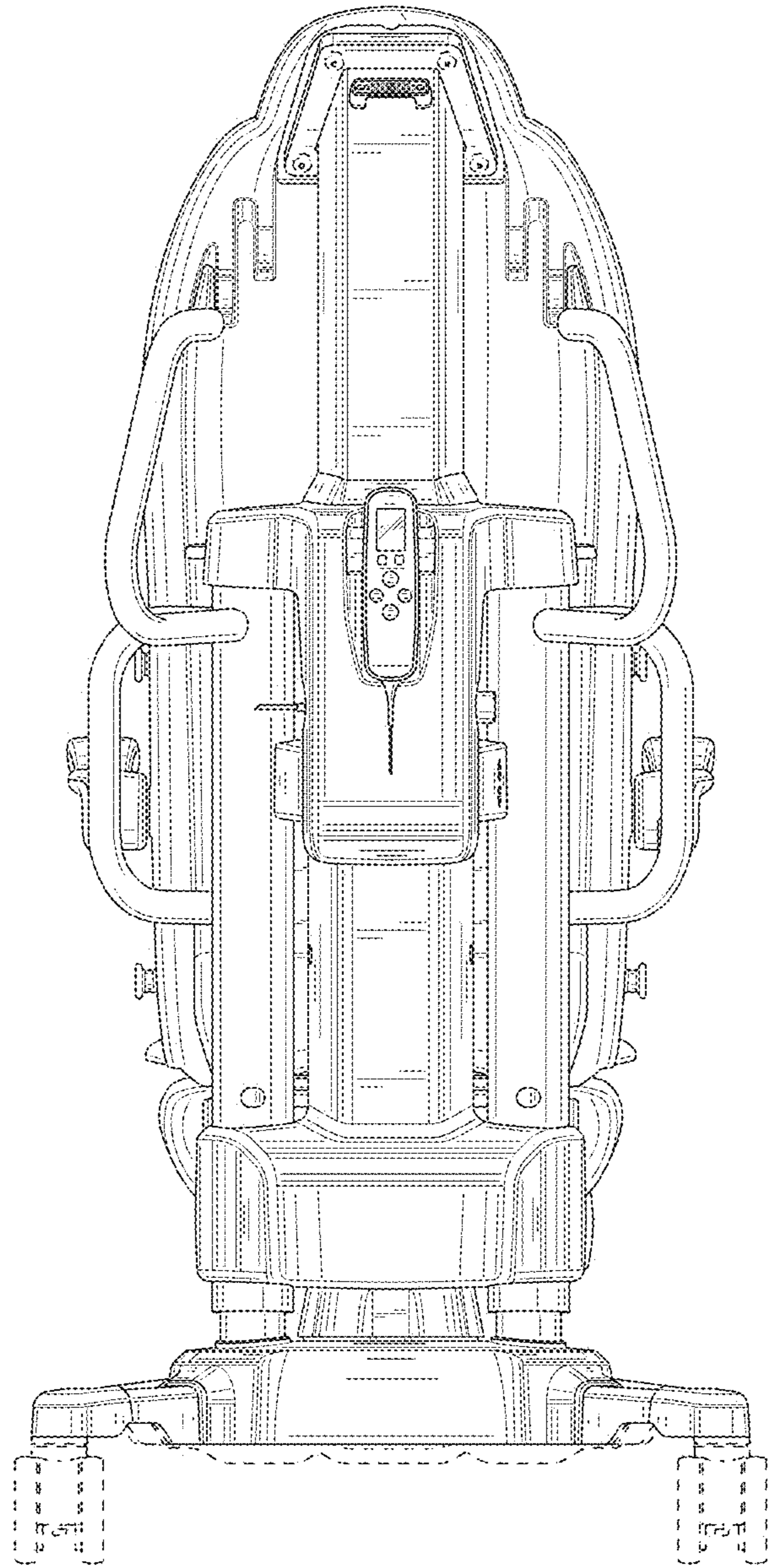


FIG. 2

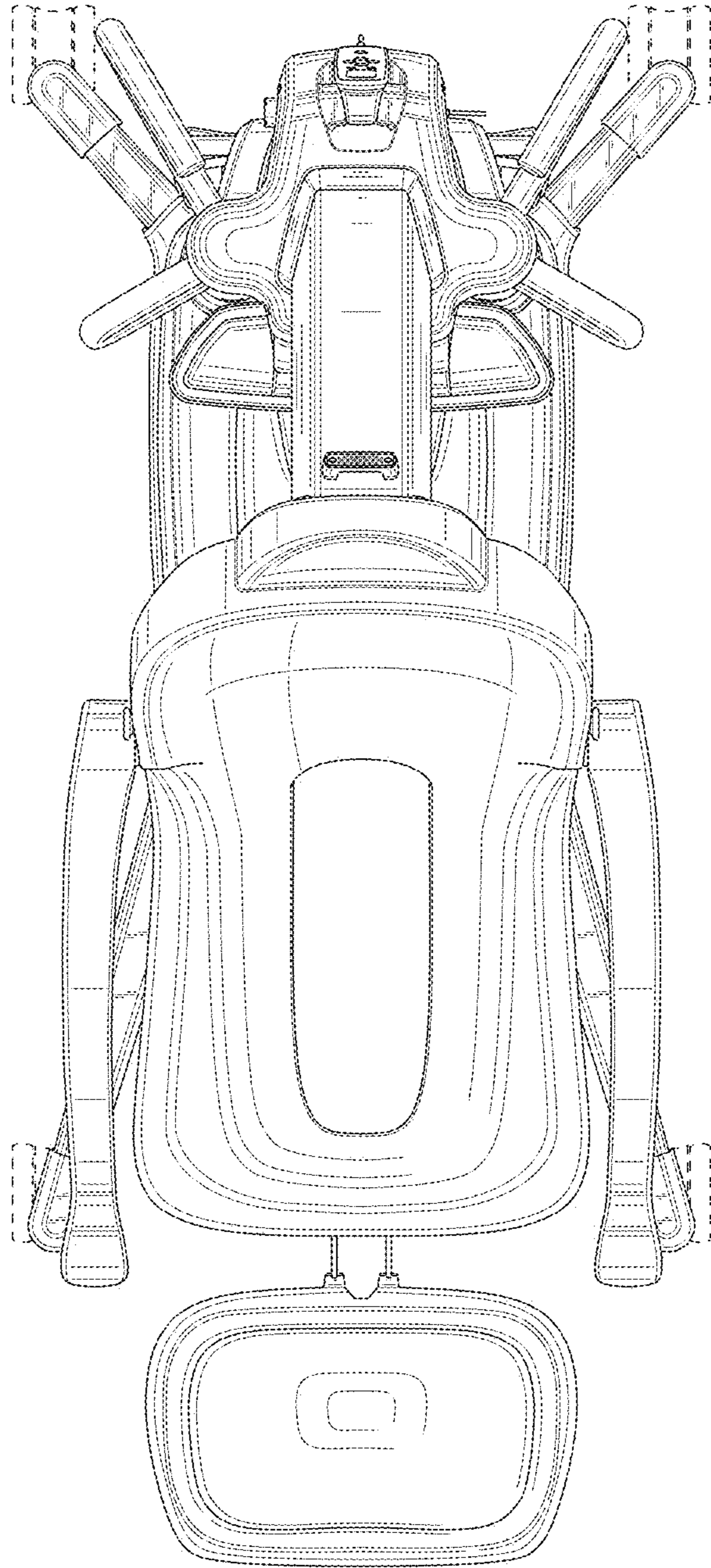


FIG. 3

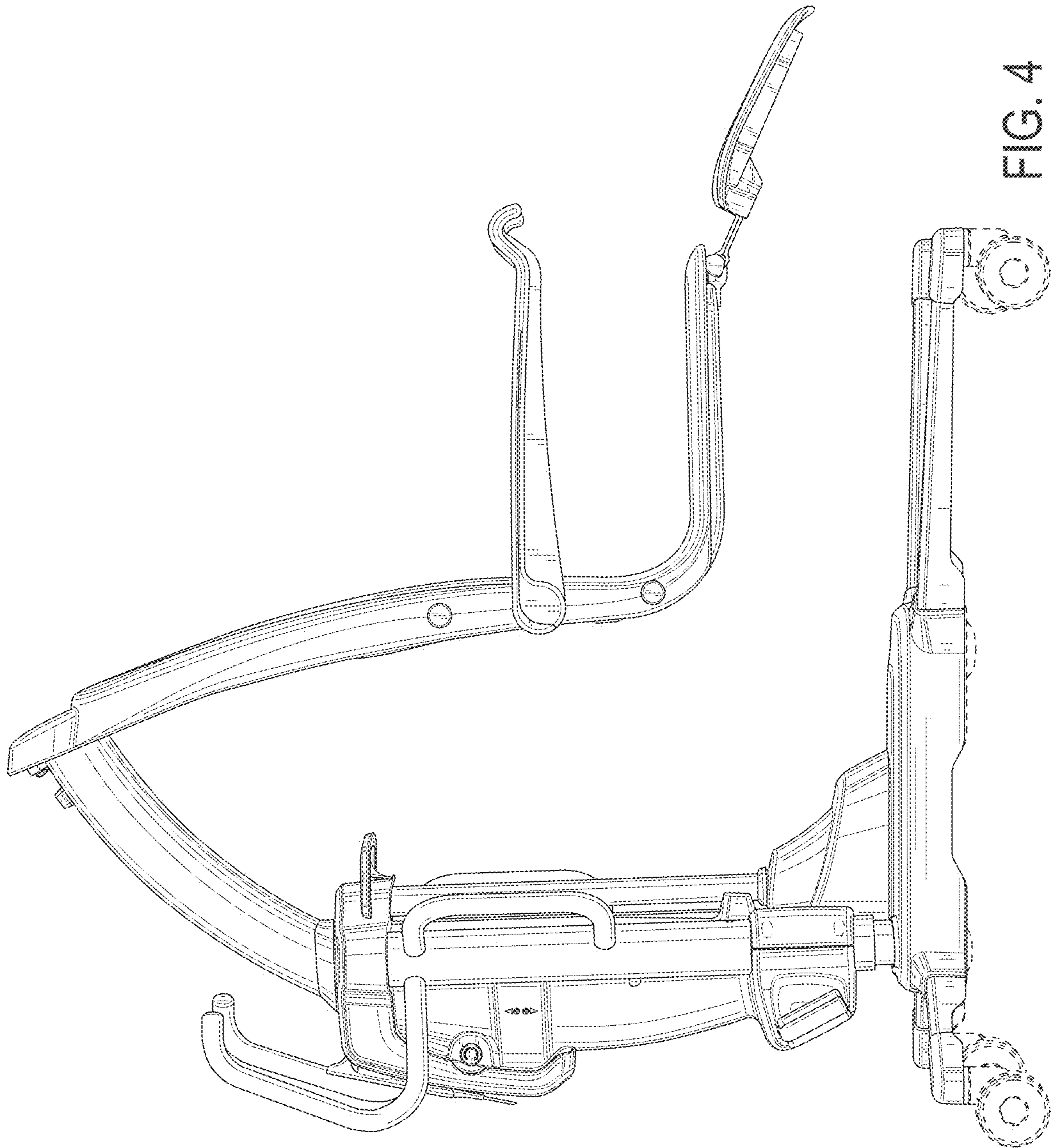


FIG. 4

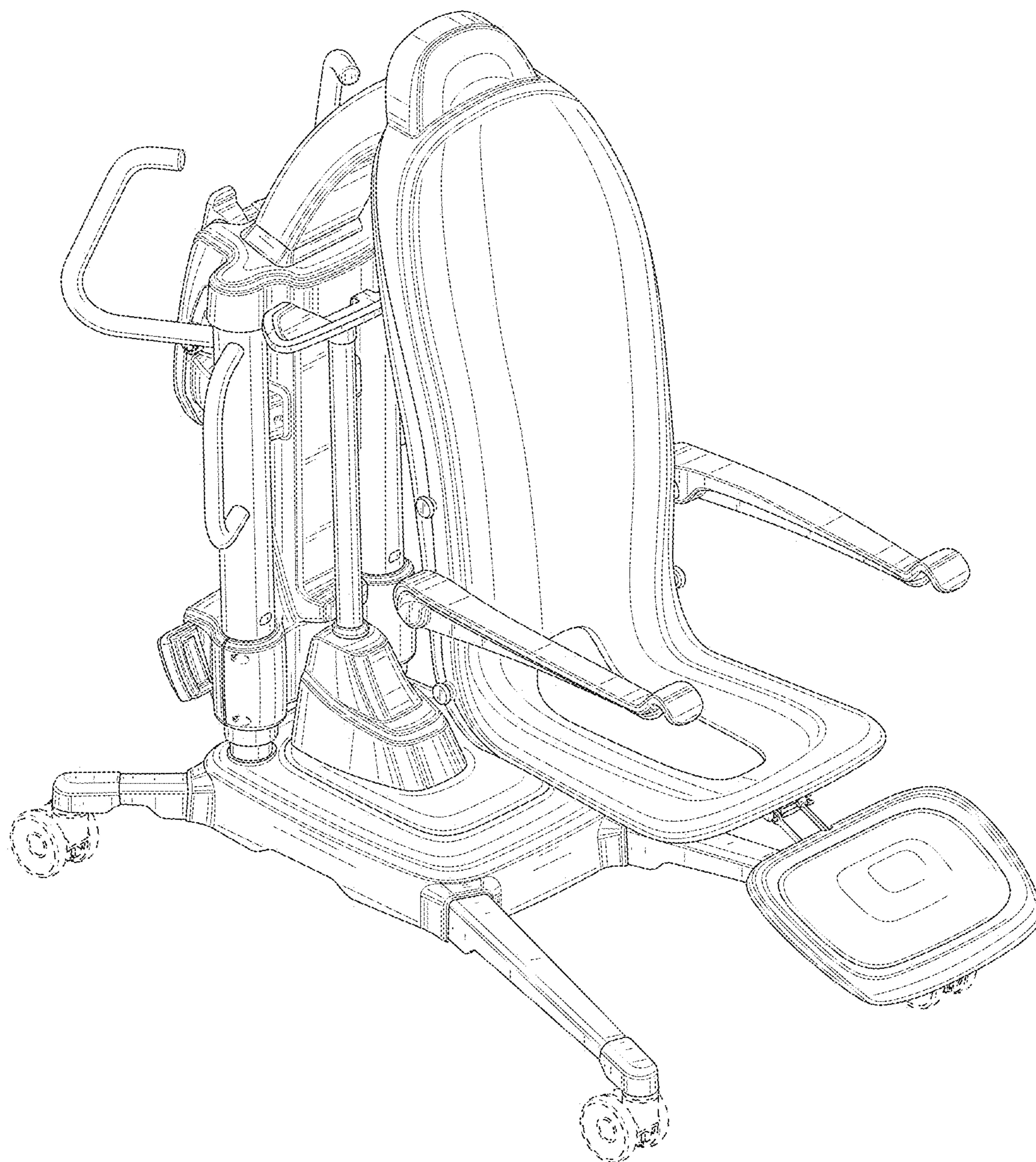


FIG. 5

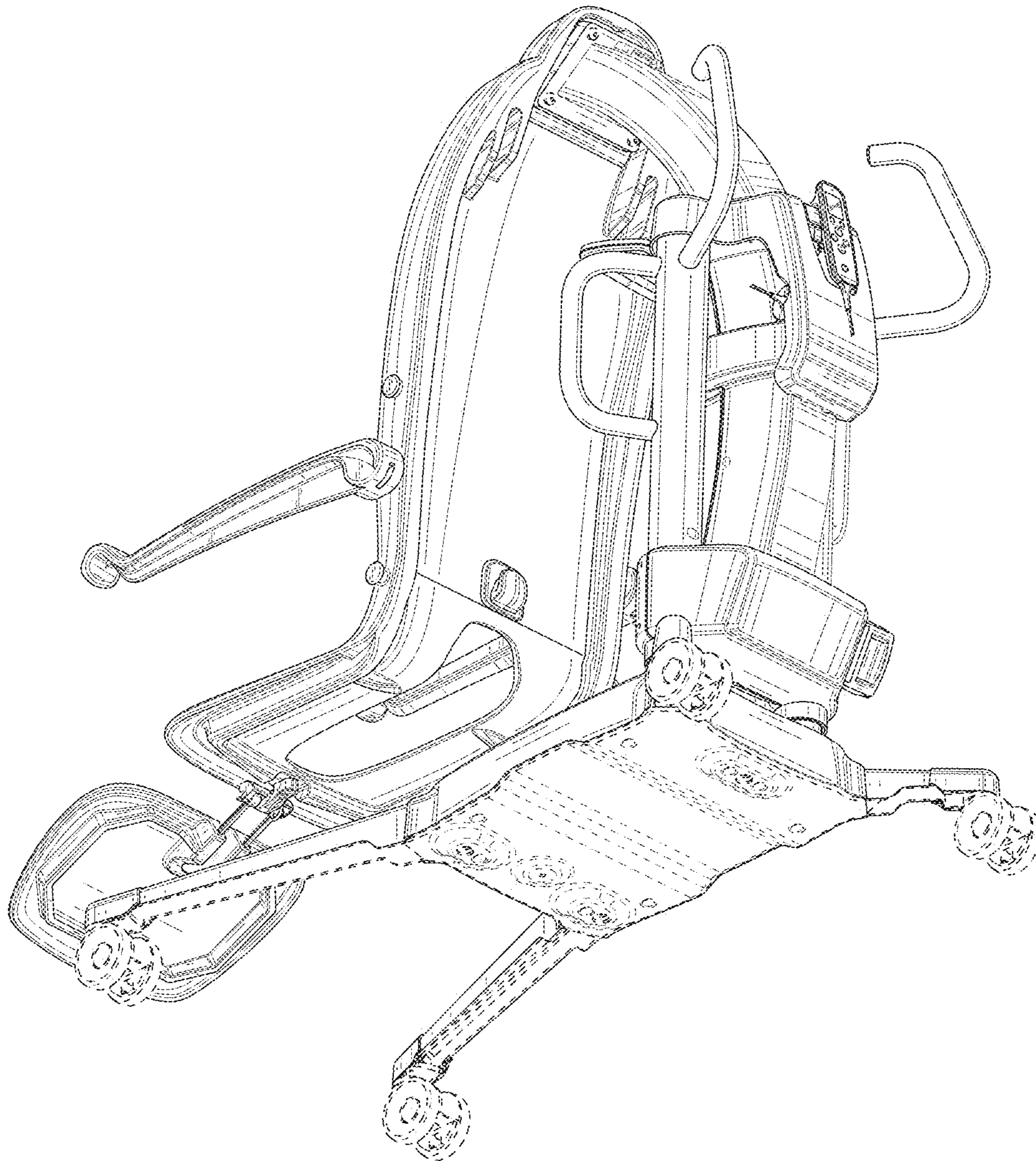


FIG. 6

UNITED STATES PATENT AND TRADEMARK OFFICE
CERTIFICATE OF CORRECTION

PATENT NO. : D978,546 S
APPLICATION NO. : 29/787155
DATED : February 21, 2023
INVENTOR(S) : Jon Backman et al.

Page 1 of 1

It is certified that error appears in the above-identified patent and that said Letters Patent is hereby corrected as shown below:

On the Title Page

Column 1, Foreign Application Priority Data, Line 1, delete “(WO)” and insert -- (IB) --

Signed and Sealed this
Twenty-fifth Day of April, 2023
Katherine Kelly Vidal

Katherine Kelly Vidal
Director of the United States Patent and Trademark Office