



US00D978544S

(12) **United States Design Patent** (10) **Patent No.:** **US D978,544 S**  
**Fu** (45) **Date of Patent:** **\*\* Feb. 21, 2023**

(54) **CONVERTIBLE SOFA AND BED**

(71) Applicant: **Qiang Fu**, Eastwood (AU)

(72) Inventor: **Qiang Fu**, Eastwood (AU)

(\*\*) Term: **15 Years**

(21) Appl. No.: **29/732,179**

(22) Filed: **Apr. 22, 2020**

(51) **LOC (14) Cl.** ..... **06-01**

(52) **U.S. Cl.**  
USPC ..... **D6/335**

(58) **Field of Classification Search**  
USPC ..... D6/334, 335, 367, 368, 370, 381, 382,  
D6/383, 392  
CPC ..... A47C 17/16; A47C 17/161; A47C 17/162;  
A47C 17/163; A47C 17/17; A47C  
17/175; A47C 17/1753; A47D 11/005;  
A47D 11/00

See application file for complete search history.

(56) **References Cited**

**U.S. PATENT DOCUMENTS**

- 2,023,605 A \* 12/1935 Mandell ..... A47C 17/207  
297/112
- 3,740,774 A \* 6/1973 Powell ..... A47C 27/22  
5/28
- 3,742,526 A \* 7/1973 Lillard ..... A47C 17/045  
5/28
- 3,902,759 A \* 9/1975 Monteforte ..... A47C 17/045  
5/12.1
- D252,487 S \* 7/1979 Petersilie ..... D6/381
- D262,756 S \* 1/1982 Tiffany, III ..... D6/381
- 4,326,309 A \* 4/1982 Flaum ..... A47C 17/045  
297/440.16
- D266,715 S \* 11/1982 Tiffany, III ..... D6/381
- 4,473,254 A \* 9/1984 Secon ..... A47C 13/00  
297/118
- 4,518,203 A \* 5/1985 White ..... A47C 17/045  
297/109

- D313,893 S \* 1/1991 Hopfer ..... D6/381
- D326,367 S \* 5/1992 Messina ..... D6/381
- D335,222 S \* 5/1993 Washington, Jr. .... D6/335
- D387,570 S \* 12/1997 Mourgue ..... D6/381
- D551,484 S \* 9/2007 Kasatshko ..... D6/604
- D853,144 S \* 7/2019 Ho ..... D6/381
- D905,978 S \* 12/2020 Smrstick ..... D6/381

(Continued)

**FOREIGN PATENT DOCUMENTS**

- CN 201591347 U \* 9/2010
- CN 204232684 U \* 4/2015

(Continued)

*Primary Examiner* — Deanna L Pratt

(74) *Attorney, Agent, or Firm* — Mitchell Law PLLC;  
Matthew W. Mitchell

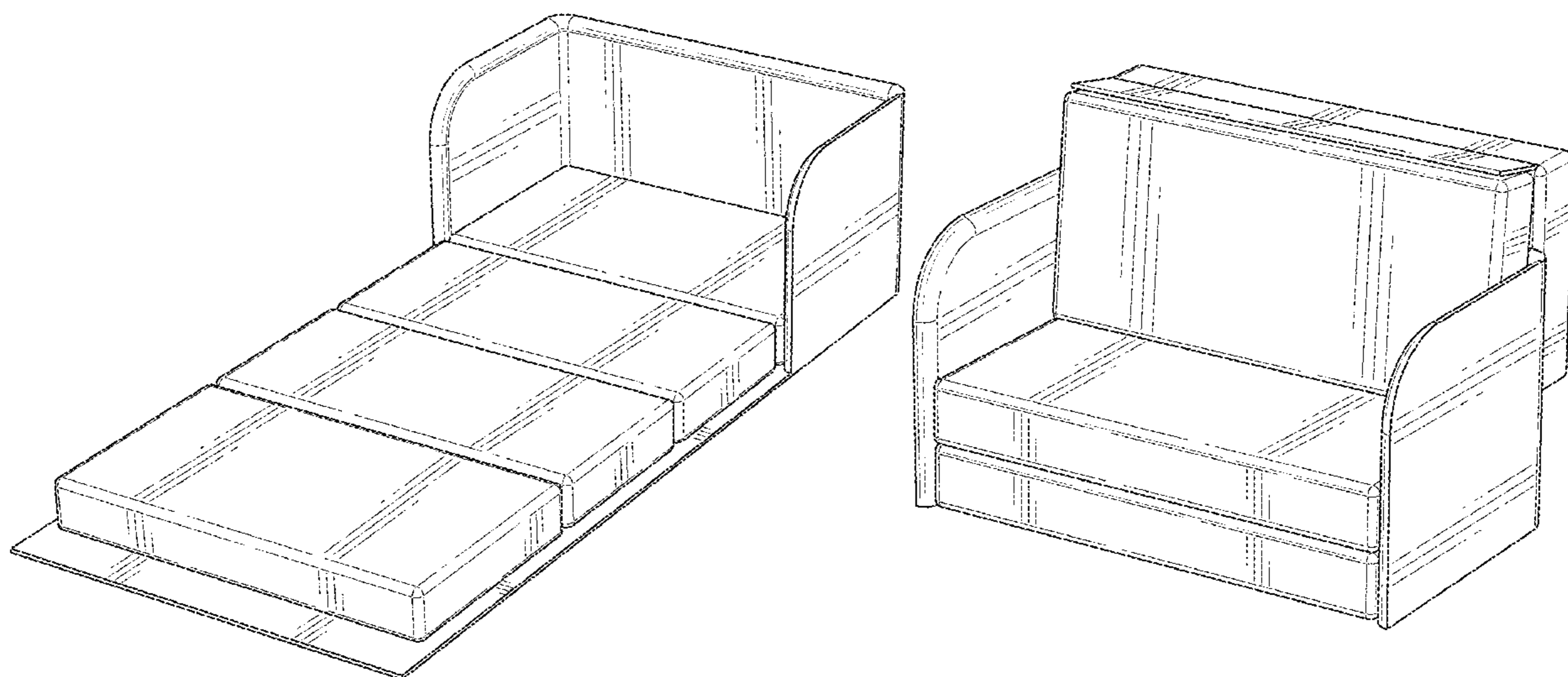
(57) **CLAIM**

The ornamental design for a convertible sofa and bed, as shown and described.

**DESCRIPTION**

FIG. 1 is a front isometric view of the convertible sofa and bed of the present invention in a first state;  
 FIG. 2 is rear isometric view thereof;  
 FIG. 3 is a right-side view thereof;  
 FIG. 4 is a left-side view thereof;  
 FIG. 5 is a top plan view thereof;  
 FIG. 6 is a front view thereof;  
 FIG. 7 is a rear view thereof;  
 FIG. 8 is a first isometric view of a second state of the invention;  
 FIG. 9 is rear isometric view thereof;  
 FIG. 10 is a right-side view thereof;  
 FIG. 11 is a left-side view thereof;  
 FIG. 12 is a top plan view thereof;  
 FIG. 13 is a front view thereof; and,  
 FIG. 14 is a rear view thereof.

**1 Claim, 14 Drawing Sheets**



(56)

**References Cited**

U.S. PATENT DOCUMENTS

D906,705 S \* 1/2021 Jang ..... D6/335  
11,246,423 B2 \* 2/2022 Kulik ..... A47C 17/23  
2002/0000741 A1 \* 1/2002 Clay ..... A47D 1/00  
297/118  
2002/0185072 A1 \* 12/2002 Walpin ..... A01K 1/0353  
119/28.5  
2006/0163935 A1 \* 7/2006 Harris ..... A47C 4/54  
297/452.41

FOREIGN PATENT DOCUMENTS

CN 205358928 U \* 7/2016  
CN 210540155 U \* 5/2020  
CN 212815403 U \* 3/2021

\* cited by examiner

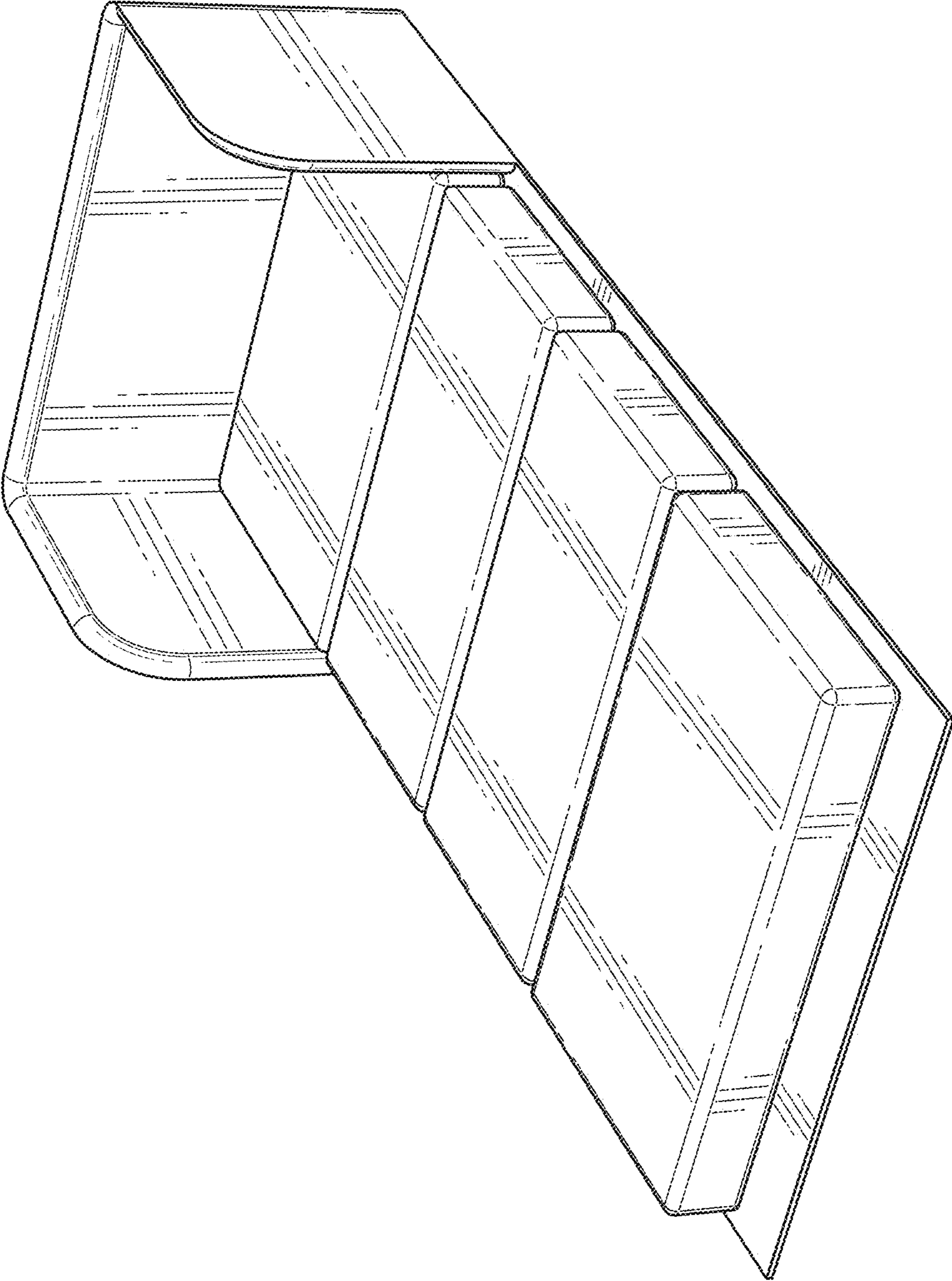


FIG. 1

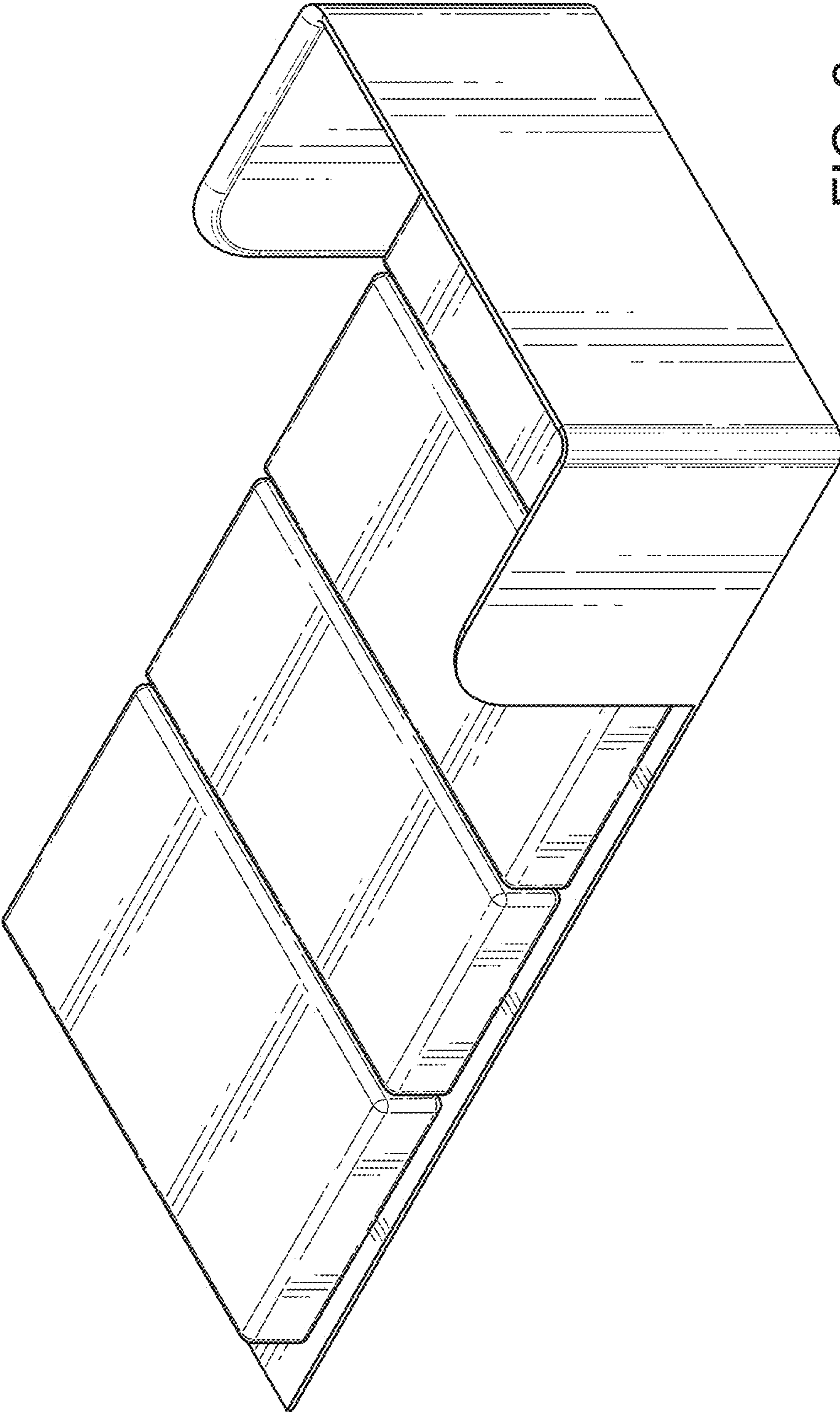


FIG. 2

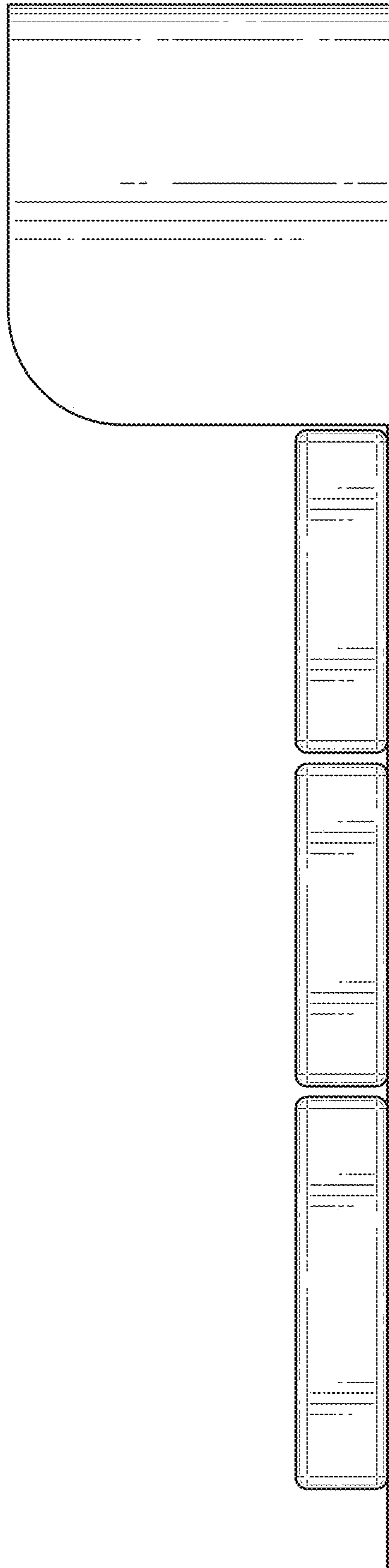


FIG. 3

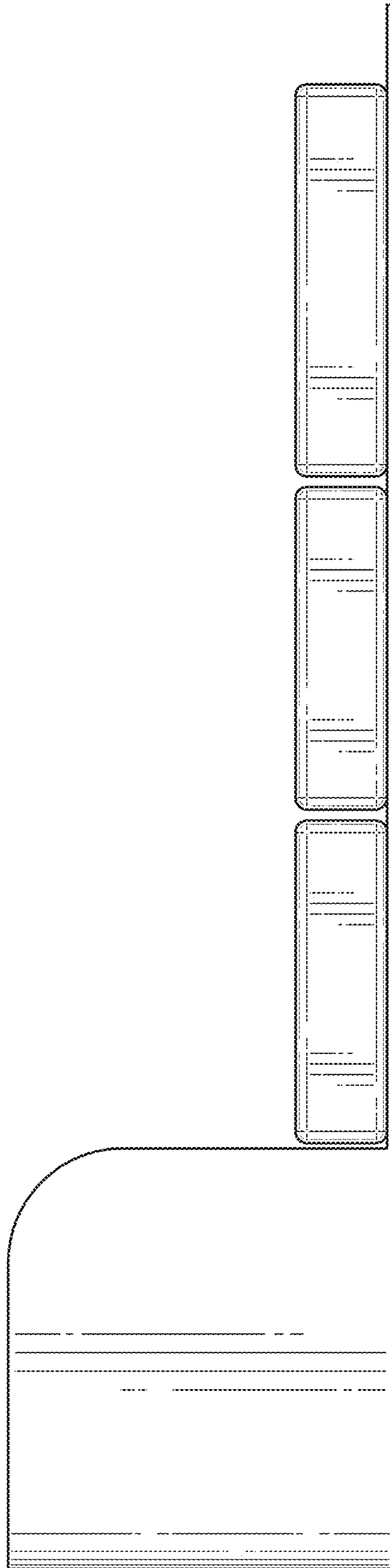


FIG. 4

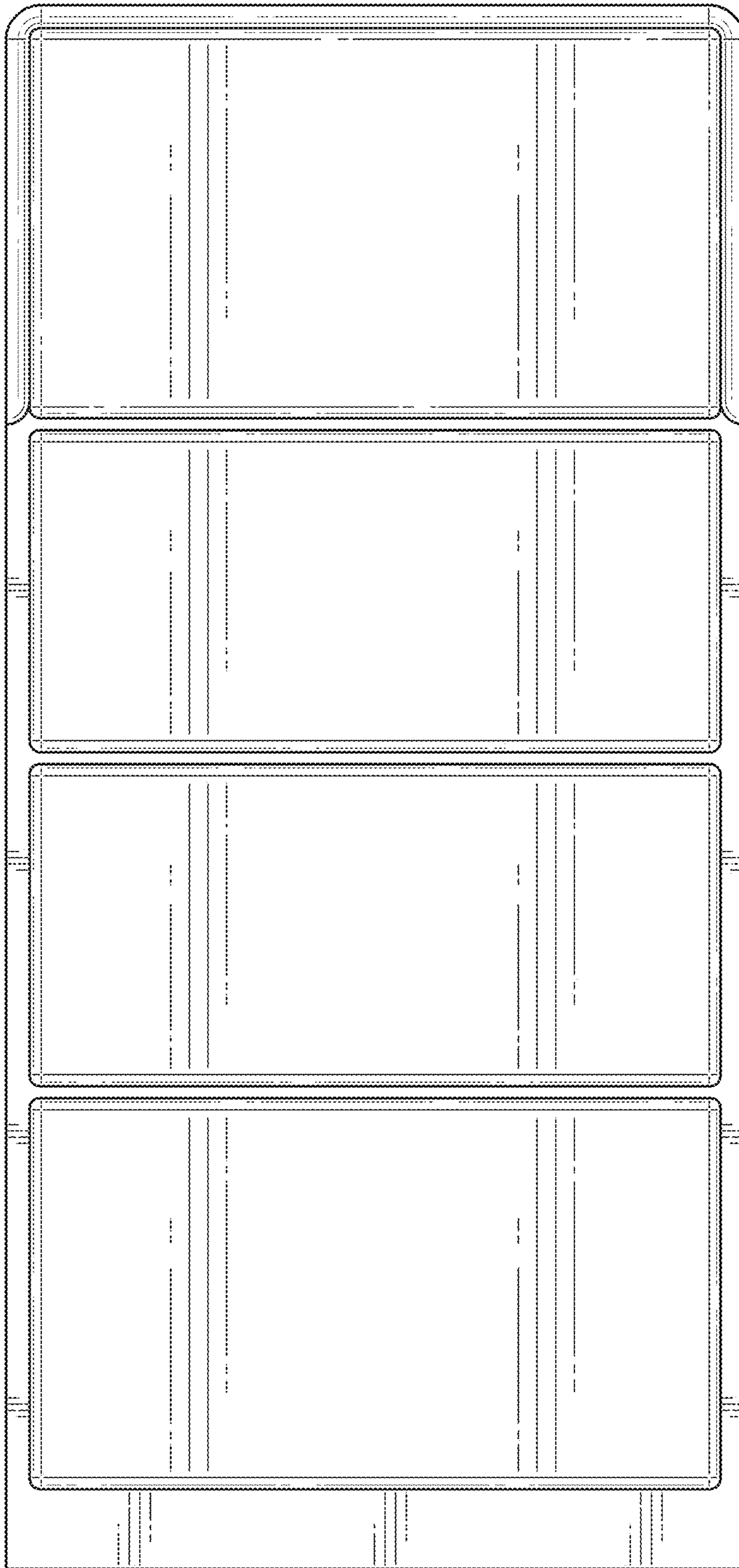


FIG. 5

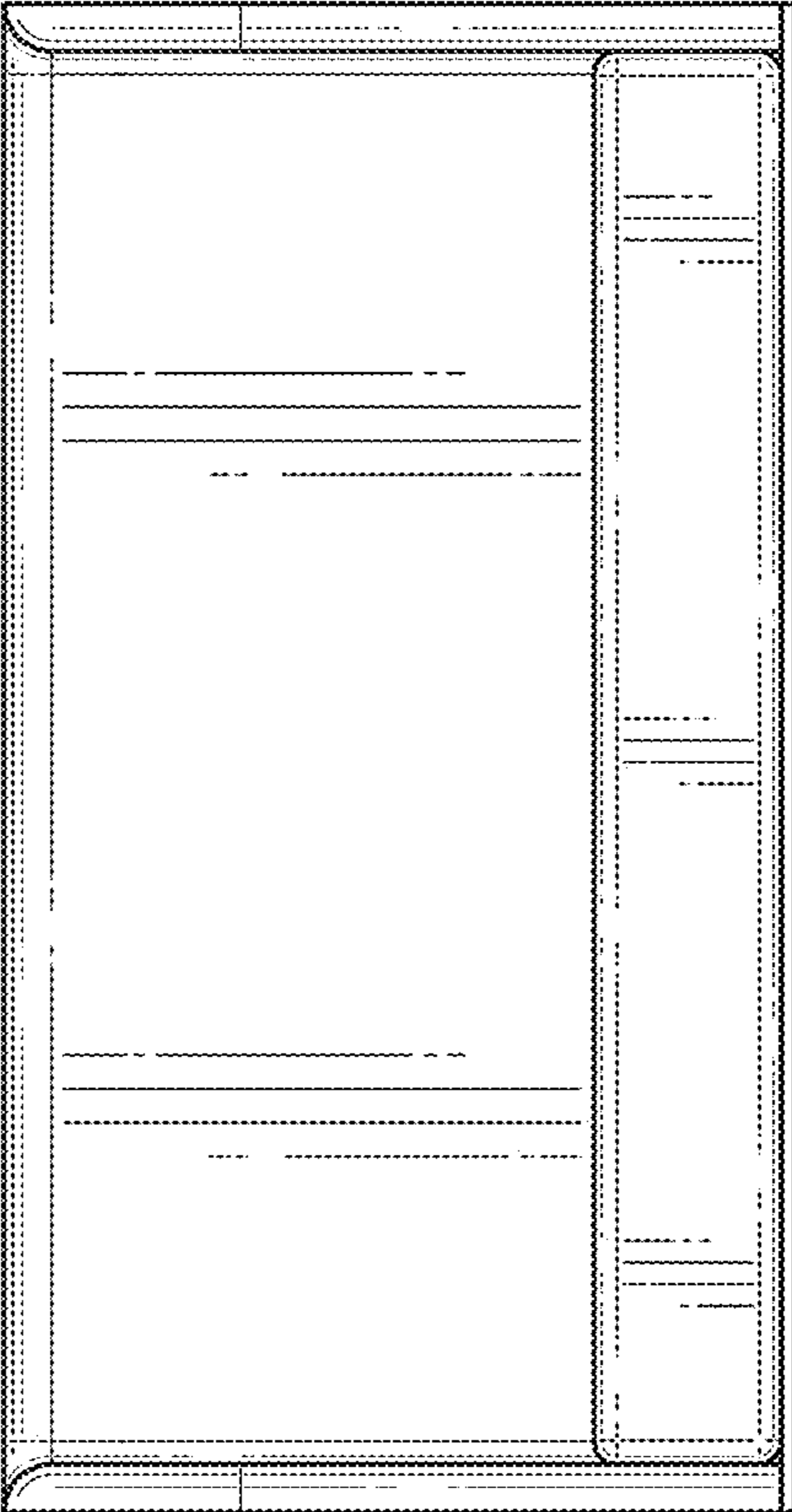


FIG. 6



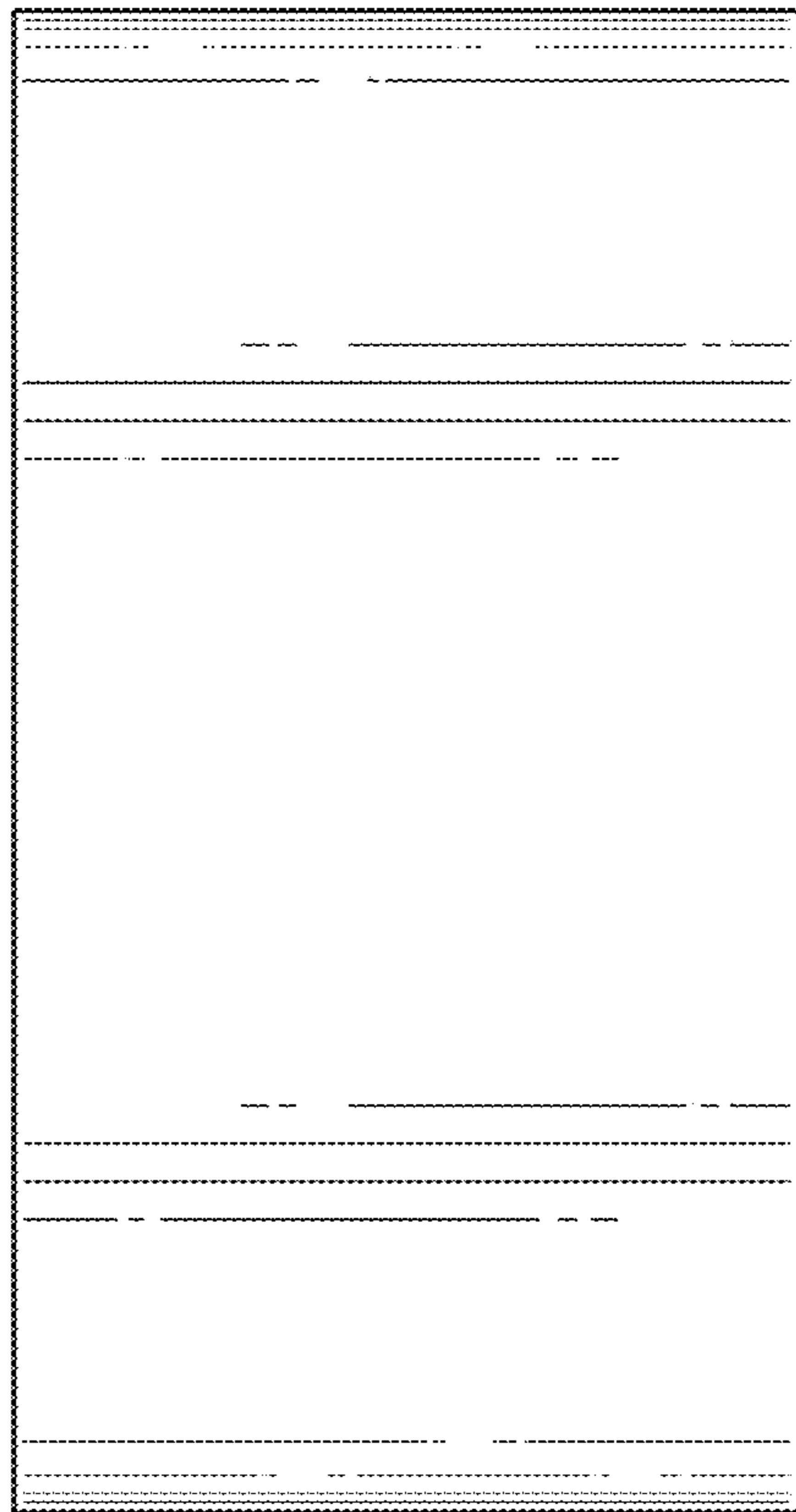


FIG. 7

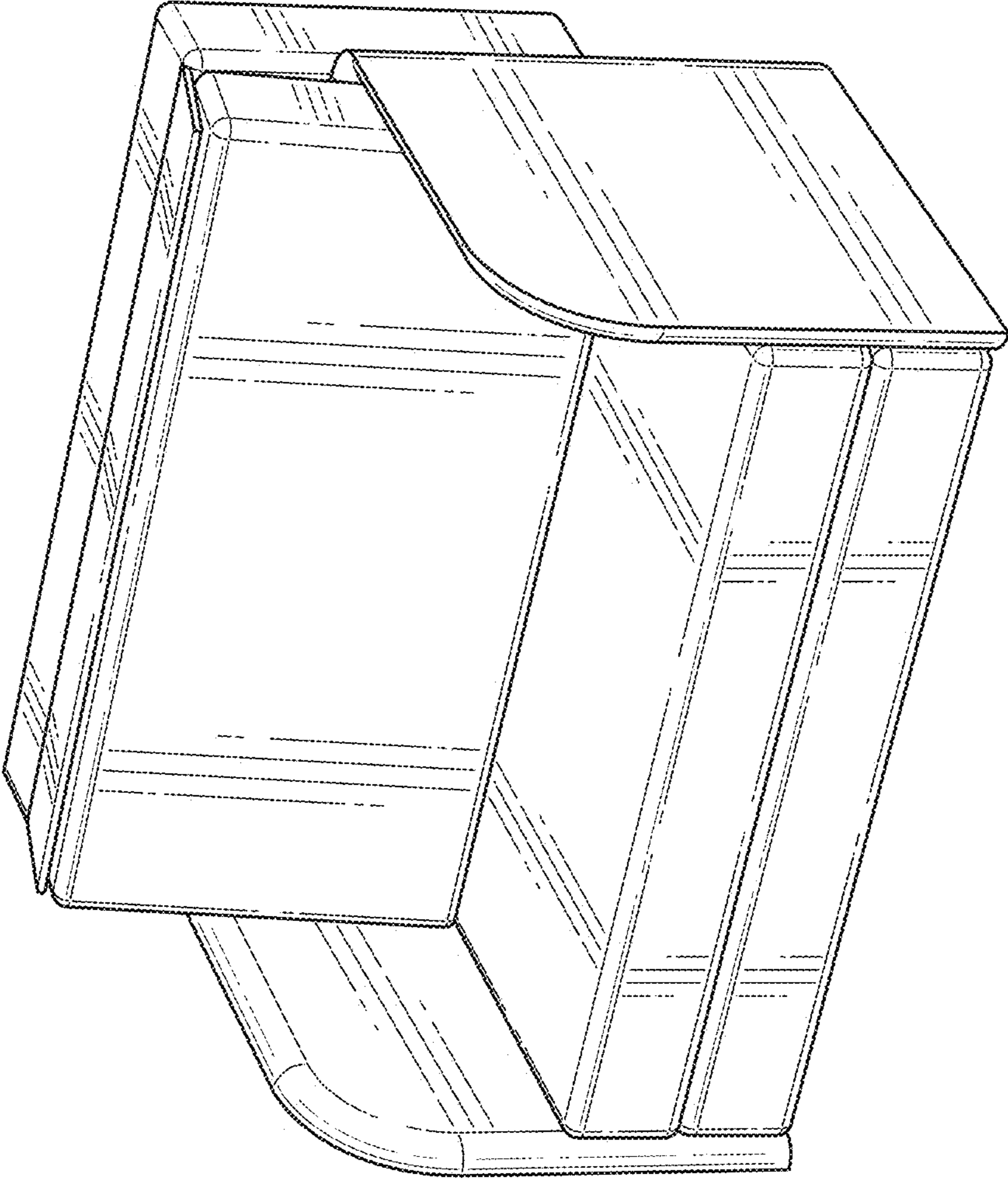


FIG. 8

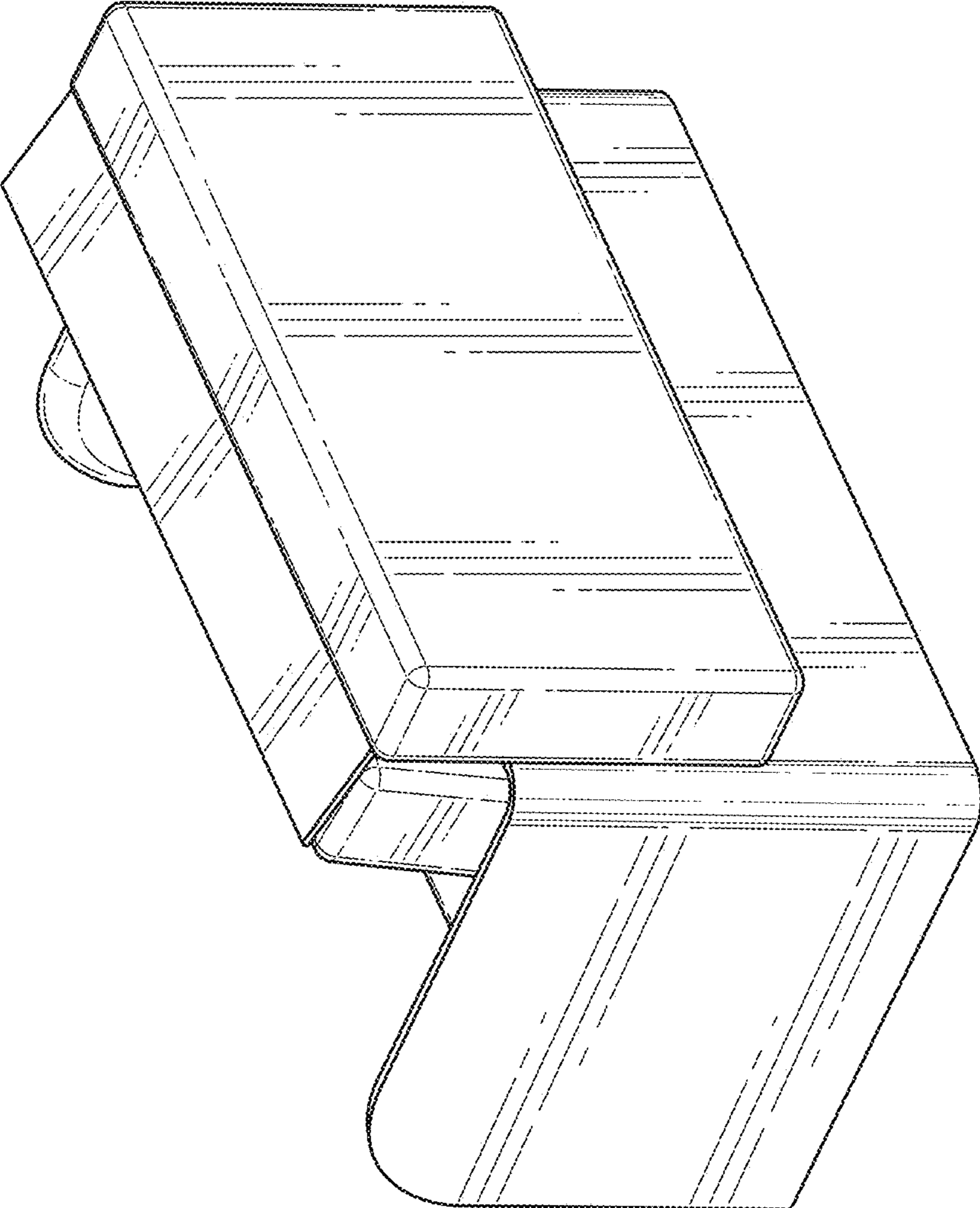


FIG. 9

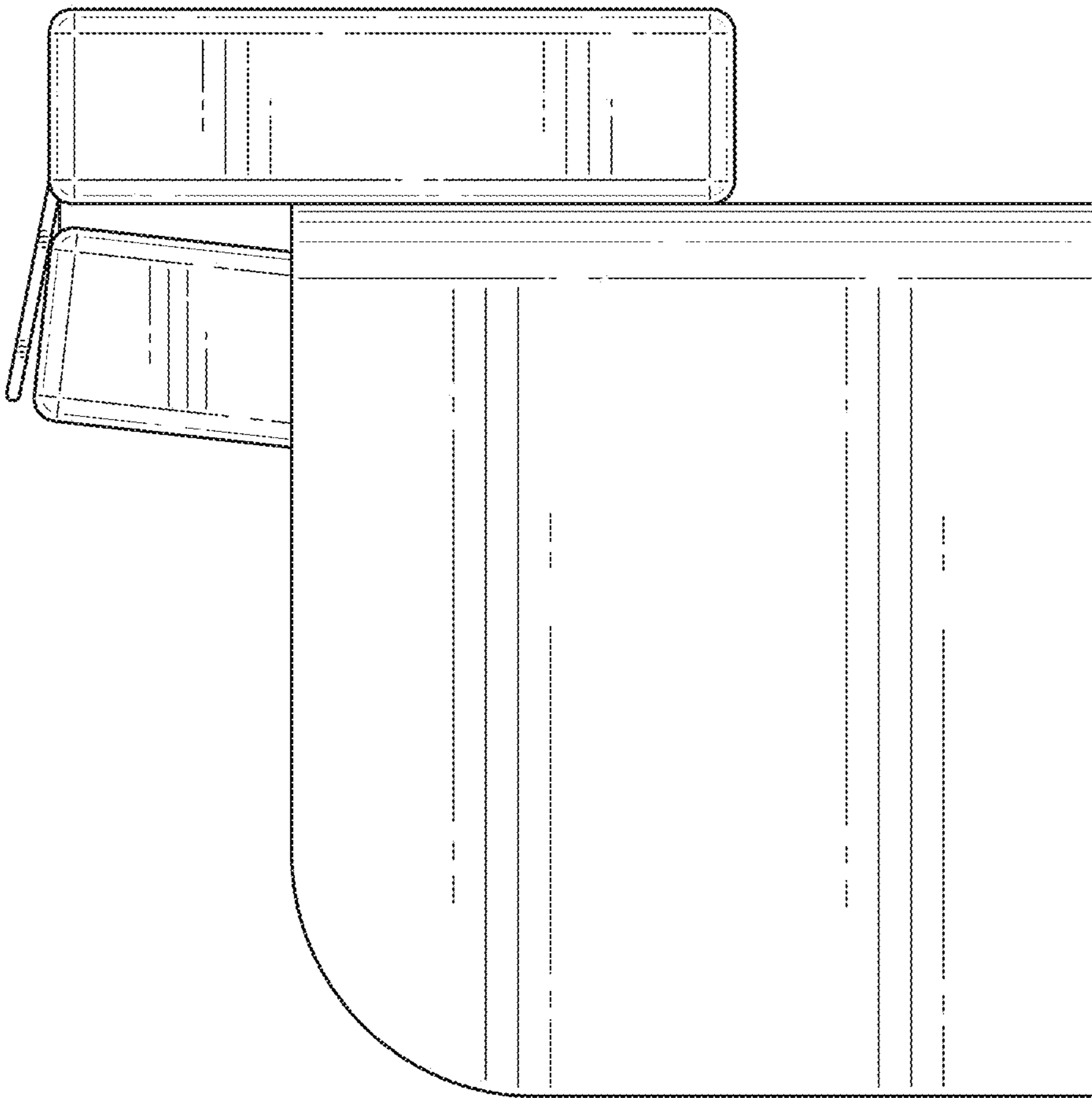


FIG. 10

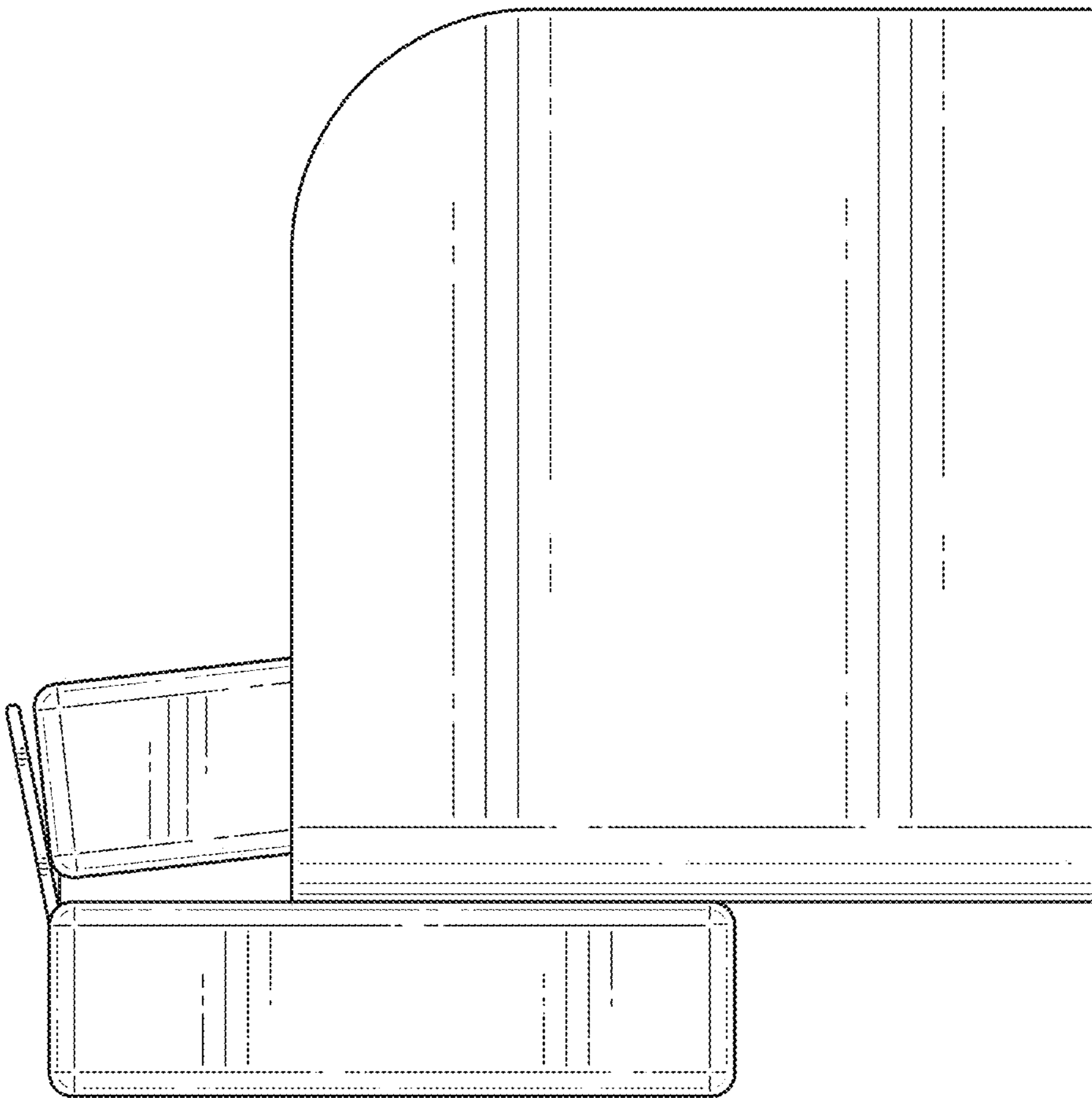


FIG. 11

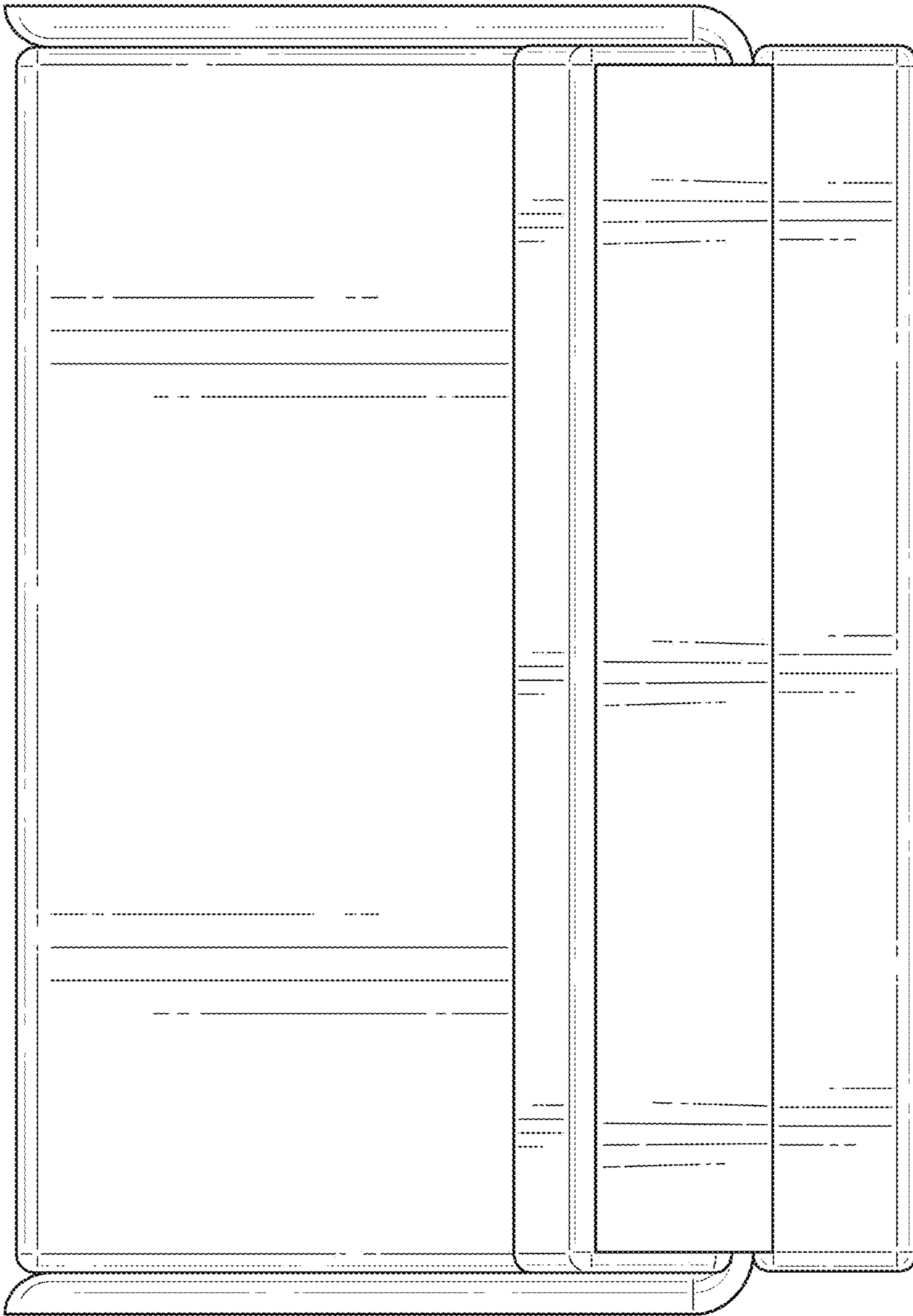


FIG. 12

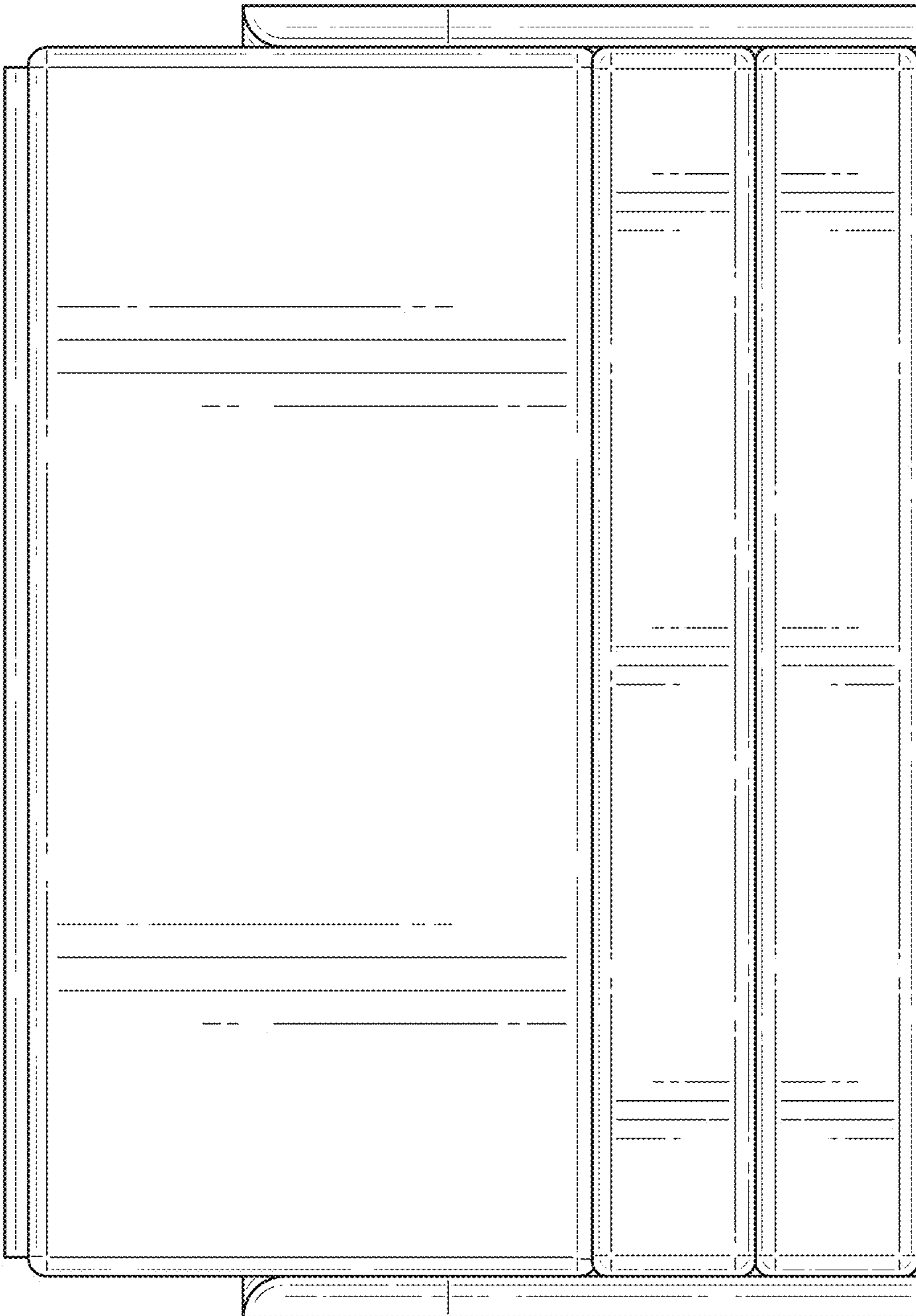


FIG. 13

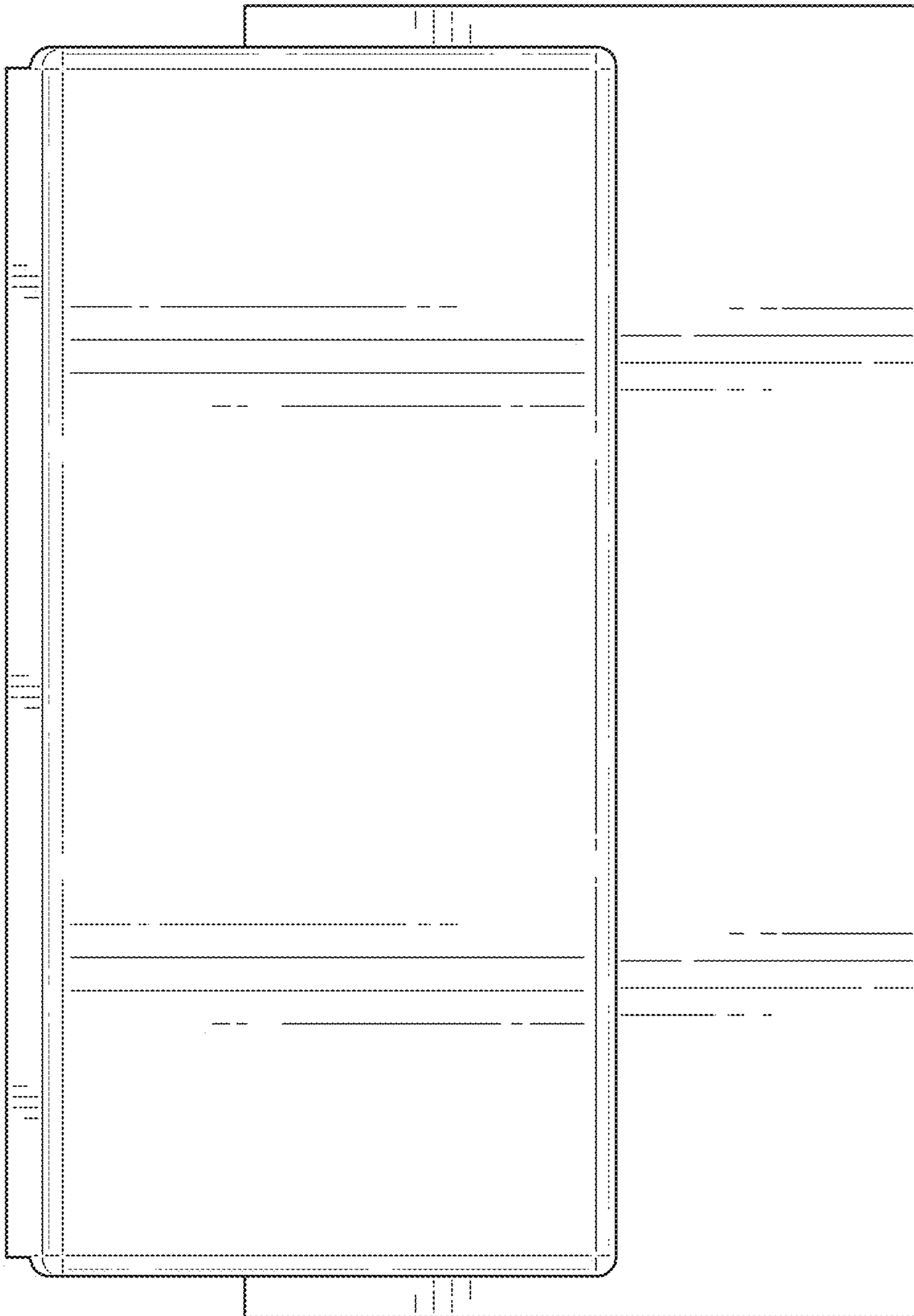


FIG. 14