



US00D978543S

(12) **United States Design Patent**
Xie

(10) **Patent No.:** **US D978,543 S**

(45) **Date of Patent:** **** Feb. 21, 2023**

- (54) **HANGER**
- (71) Applicant: **Shenzhen Beisike Household Products Co., Ltd.**, Guangdong (CN)
- (72) Inventor: **Minghong Xie**, Hubei (CN)
- (**) Term: **15 Years**
- (21) Appl. No.: **29/801,176**
- (22) Filed: **Jul. 27, 2021**
- (51) **LOC (14) Cl.** **06-08**
- (52) **U.S. Cl.**
USPC **D6/319**
- (58) **Field of Classification Search**
USPC D6/315–328
CPC A47G 25/26; A47G 25/28; A47G 25/30;
A47G 25/32; A47G 25/34; A47G 25/36;
A47G 25/38; A47G 25/442; A47G
25/625; A47G 25/743; A47G 25/1407;
A47G 25/1457; A47G 2025/1492; A47F
7/18; A47F 7/19; A47F 7/22
See application file for complete search history.

- 4,673,114 A * 6/1987 Douglas A47G 25/20
223/89
- D356,894 S * 4/1995 Andersson D6/315
- D367,768 S * 3/1996 Wagner D6/319
- 5,868,289 A * 2/1999 Lee A47G 25/36
223/87
- D501,329 S * 2/2005 Anderson D6/319
- D964,755 S * 9/2022 Cheng D6/319
- 2015/0083760 A1 * 3/2015 Barre A47G 25/482
223/85

* cited by examiner

Primary Examiner — Lauren R Calve

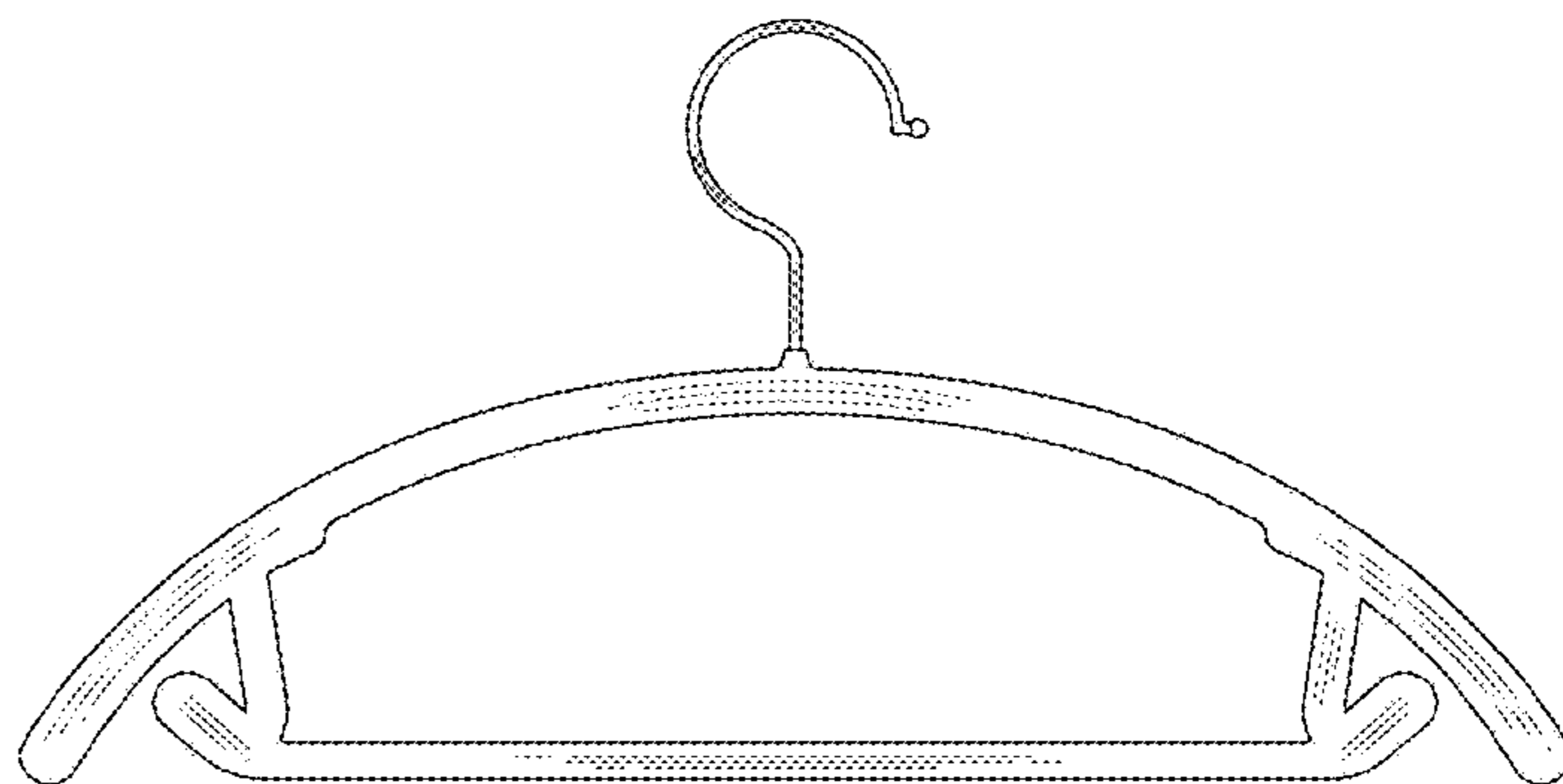
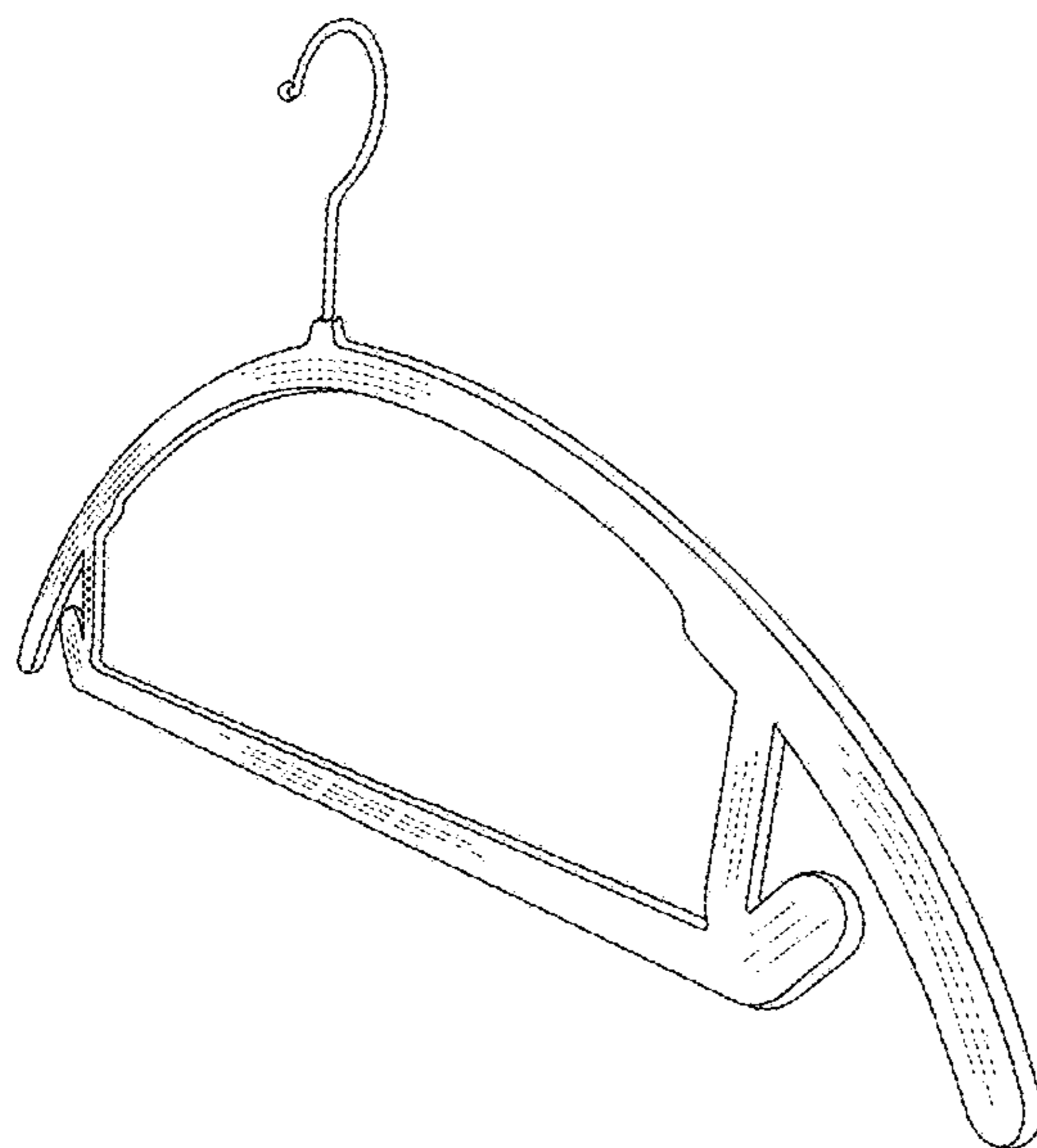
(57) **CLAIM**

The ornamental design for a hanger, as shown and described.

DESCRIPTION

FIG. 1 is a perspective view of a hanger design showing my new design.
 FIG. 2 is a front view of a hanger.
 FIG. 3 is a rear view of a hanger.
 FIG. 4 is a left side view of a hanger.
 FIG. 5 is a right side view of a hanger.
 FIG. 6 is a top view of a hanger; and,
 FIG. 7 is a bottom view of a hanger.
 Any shading and cross-hatching are not features of the design but are utilized to illustrate the surface contours of the hanger design in the drawings.

1 Claim, 7 Drawing Sheets



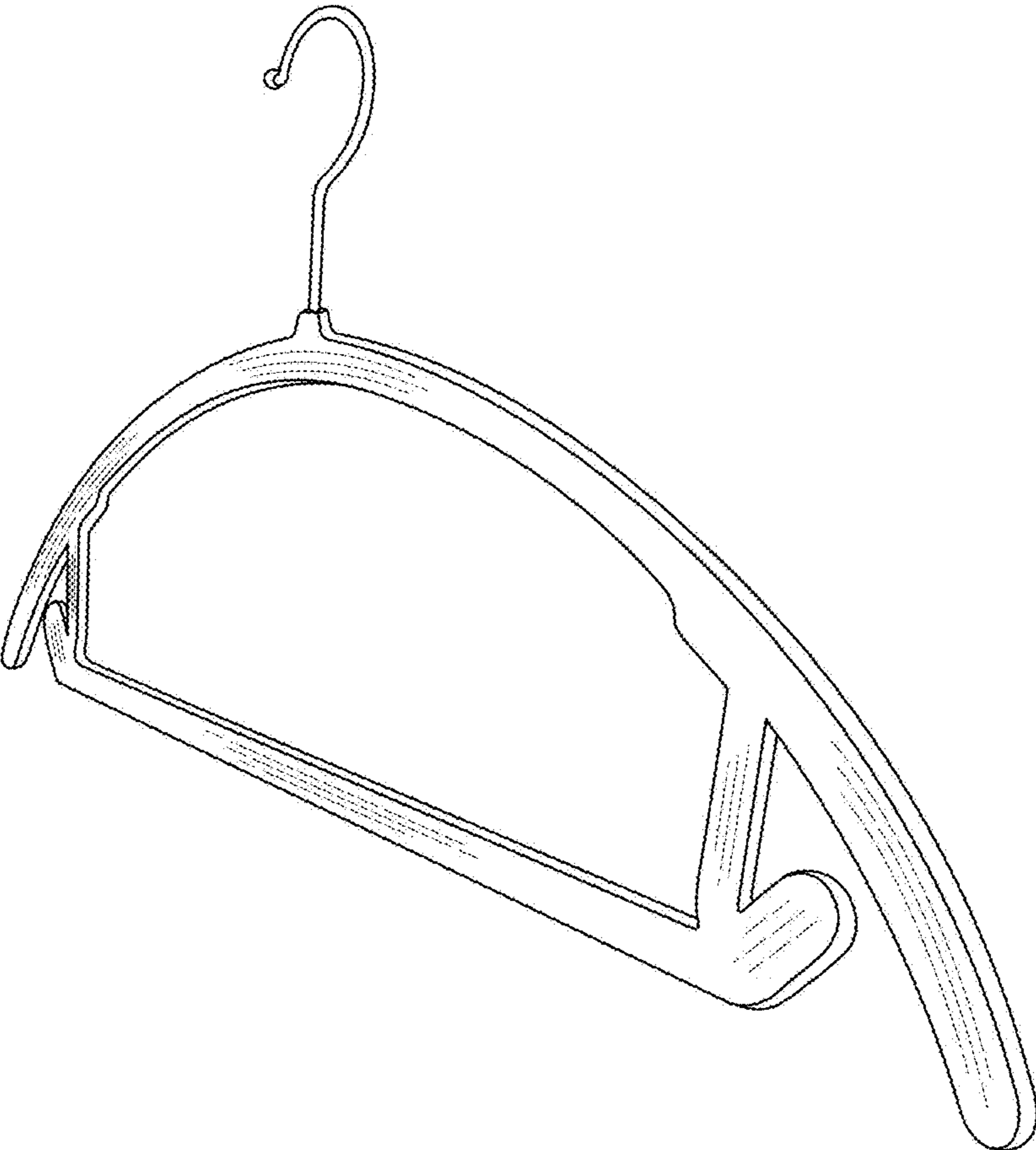


FIG. 1

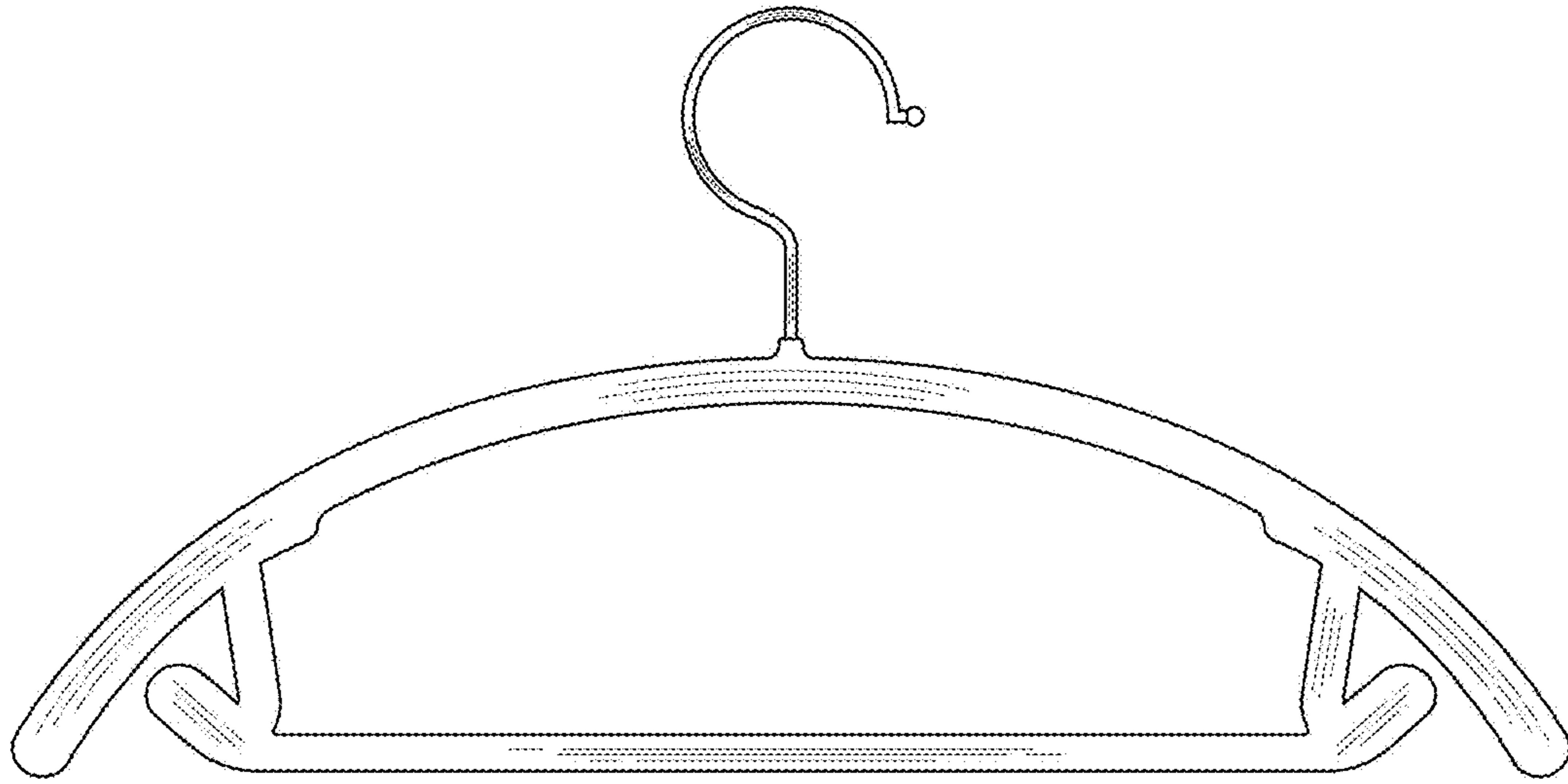


FIG. 2

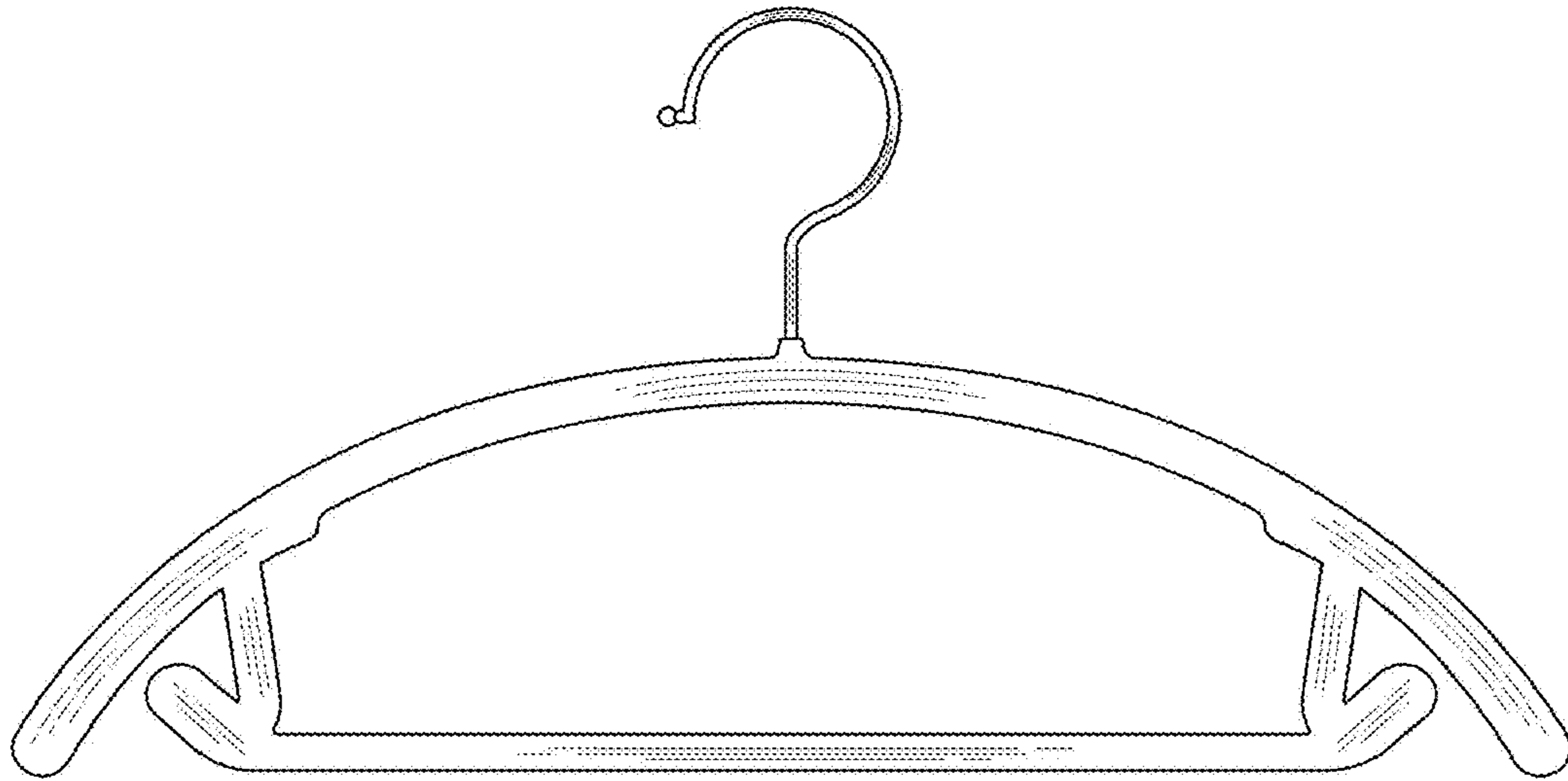


FIG. 3



FIG. 4

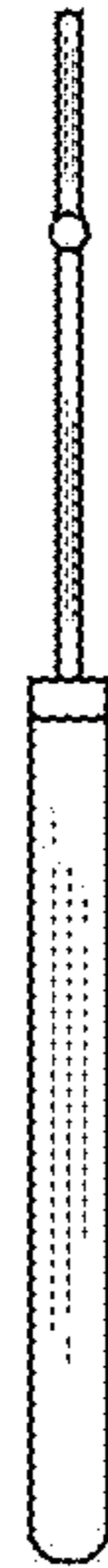


FIG. 5



FIG. 6

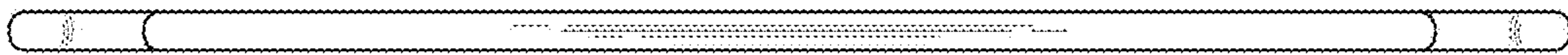


FIG. 7