



US00D978539S

(12) **United States Design Patent** (10) **Patent No.:** **US D978,539 S**
Chang (45) **Date of Patent:** **** Feb. 21, 2023**

(54) **DIAMOND-SHAPED FERRULE**
(71) Applicant: **Anisa International, Inc.**, Atlanta, GA (US)
(72) Inventor: **Cindy Chang**, Los Angeles, CA (US)
(73) Assignee: **Anisa International, Inc.**, Atlanta, GA (US)
(**) Term: **15 Years**
(21) Appl. No.: **29/840,418**
(22) Filed: **May 27, 2022**

D857,400 S 8/2019 Nicoline
D871,079 S 12/2019 Hwang
D873,573 S 1/2020 Kaicker
D896,532 S 9/2020 Kaicker
D897,689 S 10/2020 Colville Somma
D914,369 S 3/2021 Colville Somma
(Continued)

FOREIGN PATENT DOCUMENTS

CN 306566739 5/2021
KR 3009726950002 10/2018

OTHER PUBLICATIONS

Anisa Brush, announced 2021 [online], [site visited Feb. 17, 2022]. Available from internet, URL: <https://www.anisabeauty.com/products/pinnacle-foundation-brush> (Year: 2021).
(Continued)

Primary Examiner — Cynthia Ramirez
Assistant Examiner — Tamara L Hahn
(74) *Attorney, Agent, or Firm* — Taylor English Duma LLP

Related U.S. Application Data

(63) Continuation of application No. 29/761,475, filed on Dec. 9, 2020, now Pat. No. Des. 956,430.
(51) **LOC (14) Cl.** **04-02**
(52) **U.S. Cl.**
USPC **D4/137**
(58) **Field of Classification Search**
USPC D4/121, 127–135, 137, 138, 199; D28/7, D28/8; D23/259
CPC A46B 9/021; A46B 2200/1046
See application file for complete search history.

(57) **CLAIM**

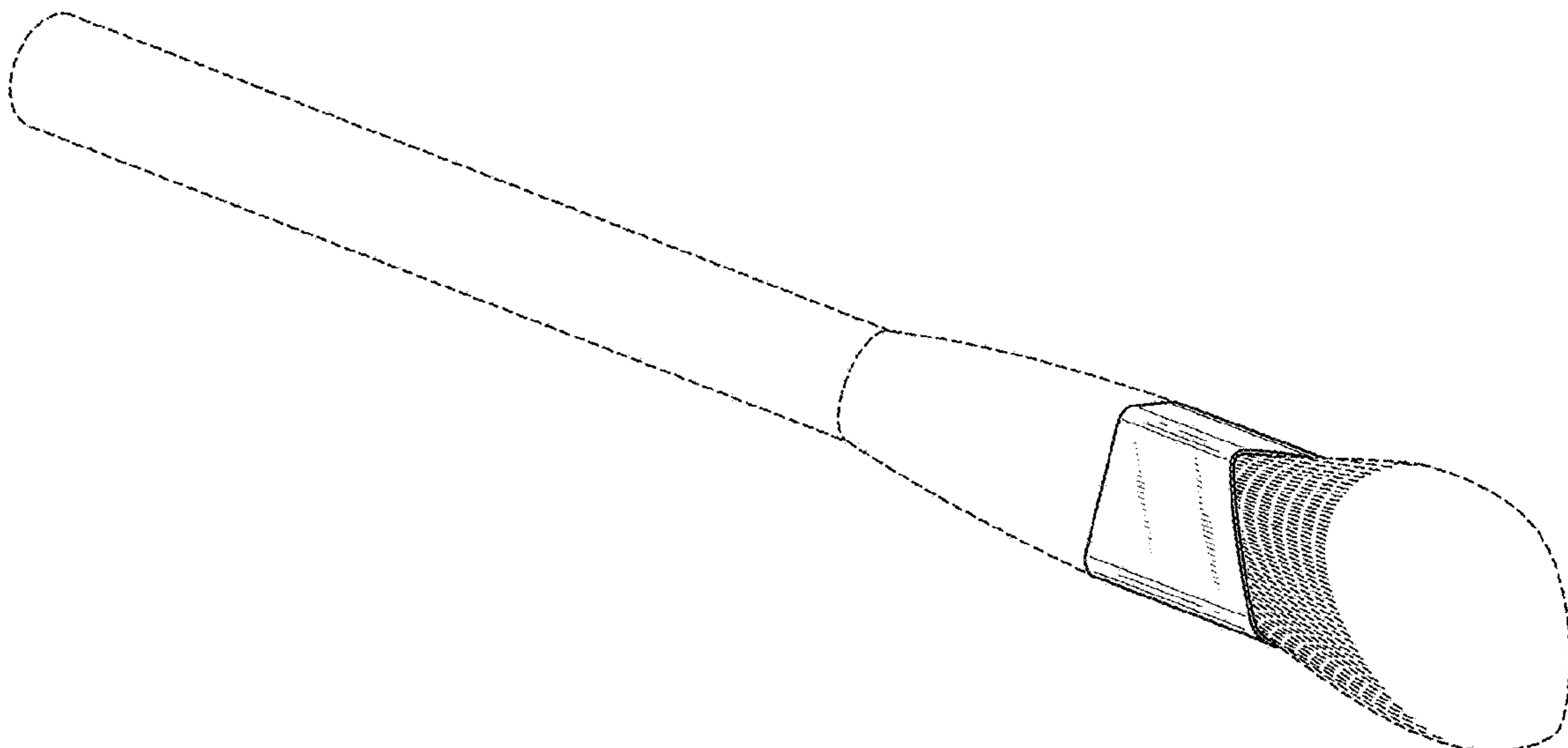
I claim the ornamental design for a diamond-shaped ferrule, as shown and described.

DESCRIPTION

FIG. 1 is a perspective view the diamond-shaped ferrule. FIG. 2 is a right-side elevation view thereof. FIG. 3 is a left-side elevation view thereof. FIG. 4 is a front elevation view thereof. FIG. 5 is a rear elevation view thereof. FIG. 6 is a top plan view thereof; and, FIG. 7 is a bottom plan view thereof. The broken lines in the drawings depict portions of the diamond-shaped ferrule that form no part of the claimed design.

1 Claim, 4 Drawing Sheets

(56) **References Cited**
U.S. PATENT DOCUMENTS
D399,281 S * 10/1998 Allen D21/747
6,039,051 A 3/2000 Dorf
D749,858 S * 2/2016 Snook D4/135
D766,586 S 9/2016 Hwang
D778,618 S * 2/2017 Jain D4/135
D788,471 S 6/2017 Dunaway
9,675,167 B2 6/2017 Xavier et al.
D800,457 S * 10/2017 Kaicker D4/138
D802,937 S * 11/2017 Nicoline D4/135
D827,309 S 9/2018 Nicoline
D829,006 S 9/2018 Richards
D845,646 S 4/2019 Nicoline



(56)

References Cited

U.S. PATENT DOCUMENTS

D938,734 S 12/2021 Moleski et al.
D940,464 S * 1/2022 Godin D4/114
D956,430 S 7/2022 Chang
2016/0262528 A1 9/2016 Kaicker
2017/0208932 A1 7/2017 Ajootian
2022/0022634 A1 1/2022 Rybacek

OTHER PUBLICATIONS

Chang, Cindy; Notice of Allowance for Design U.S. Appl. No. 29/761,475, filed Dec. 9, 2020, dated Feb. 28, 2022, 16 pgs.

Eigshow Brush, announced 2021 [online], [site visited Feb. 17, 2022]. Available from internet, URL: https://www.amazon.com/dp/B09B1RPXMG/ref=syn_sd_onsite_desktop_53 (Year: 2021).

Inglot Brush, announced 2021 [online], [site visited Feb. 17, 2022]. Available from internet, URL: <https://www.cloud10beauty.com/products/inglot-feather-luxe-sculpt-set-skin-brush-201> (Year: 2021).

QVC Brush, announced Dec. 2021 [online], [site visited Feb. 17, 2022]. Available from internet, URL: <https://www.qvc.com/IT-Cosmetics-Special-Edition-Heavenly-Luxe-5pc-Brush-Set-w-Makeup-Bag.product.A460337.html?colorId=000&sizeId=000&ref=GBA&TZ=EST> (Year: 2021).

Wet n Wild Brush, announced 2017 [online], [site visited Feb. 17, 2022]. Available from internet, URL: https://www.amazon.com/wet-wild-Powder-Brush-Fluid/dp/B01EO2KP4A/ref=sr_1_6?keywords=makeup%2Bbrush&qid=1645031334&s=beauty&sr=1-6&th=1 (Year: 2017).

Sigma Beauty; Article entitled: "3DHD® Max Kabuki Brush", located at <3DHD® Max Kabuki Brush>, including images of brush, accessed on Nov. 30, 2020, 9 pgs.

* cited by examiner

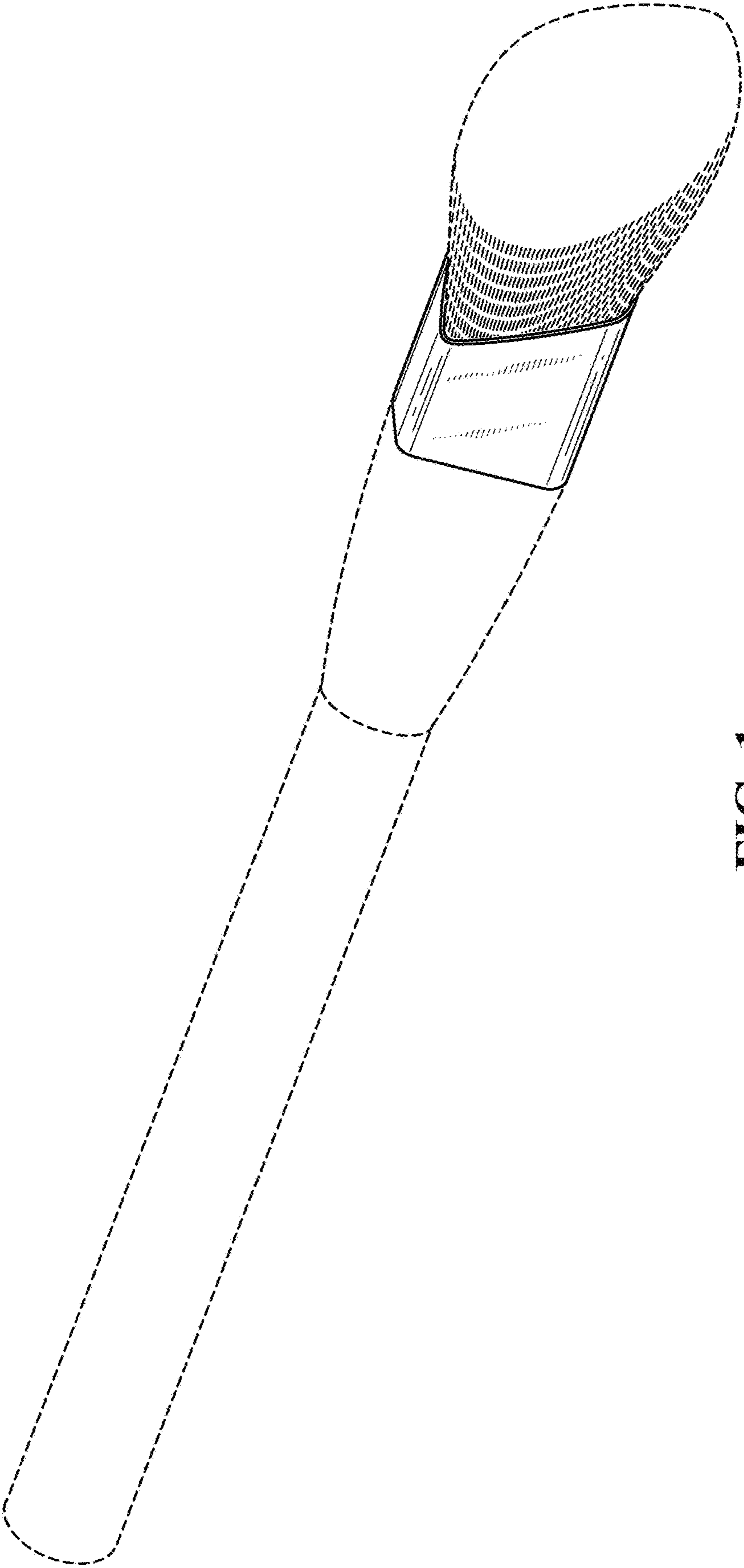


FIG. 1

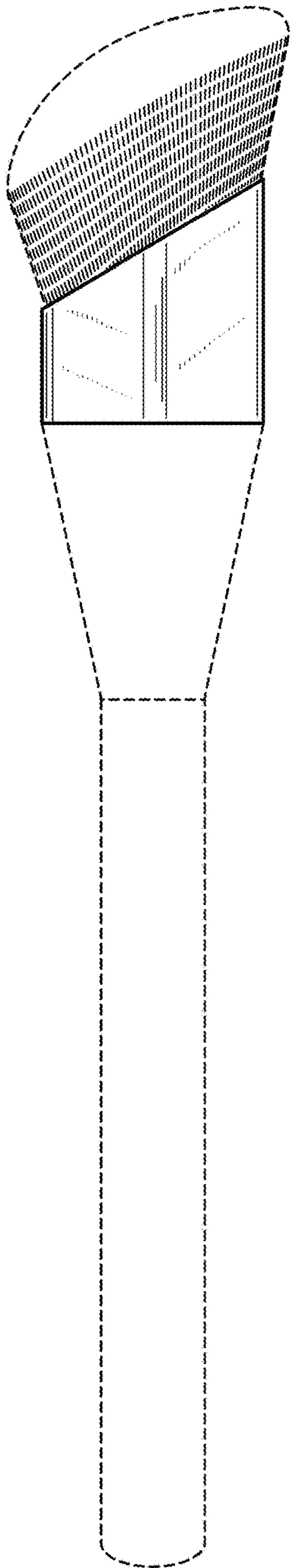


FIG. 2

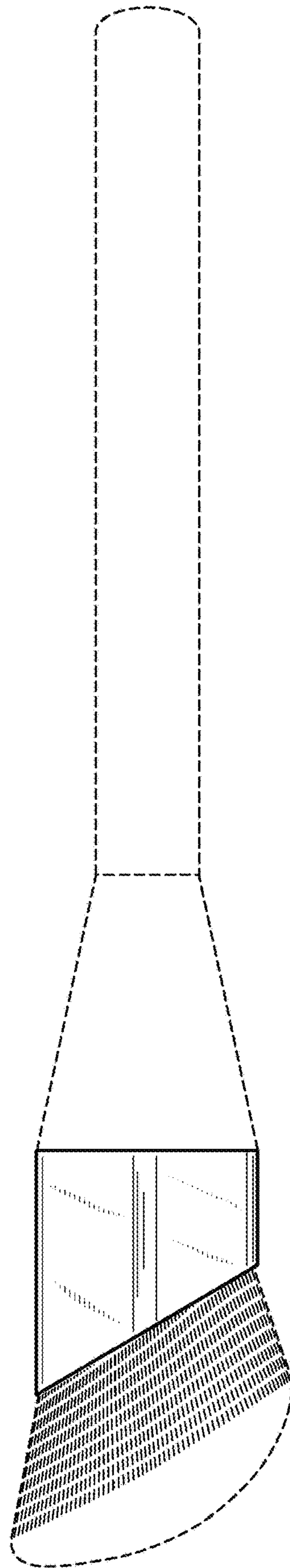


FIG. 3

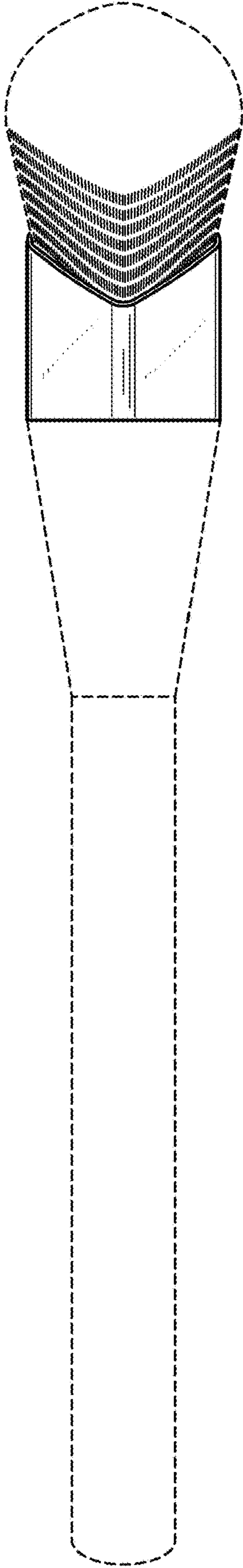


FIG. 4

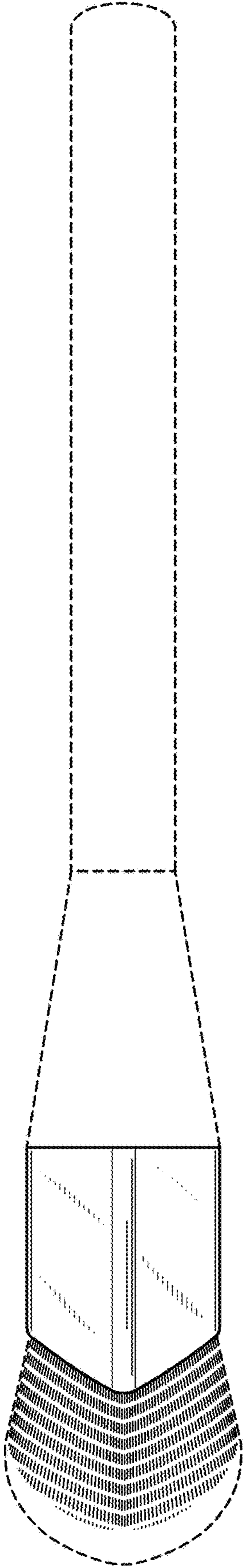


FIG. 5

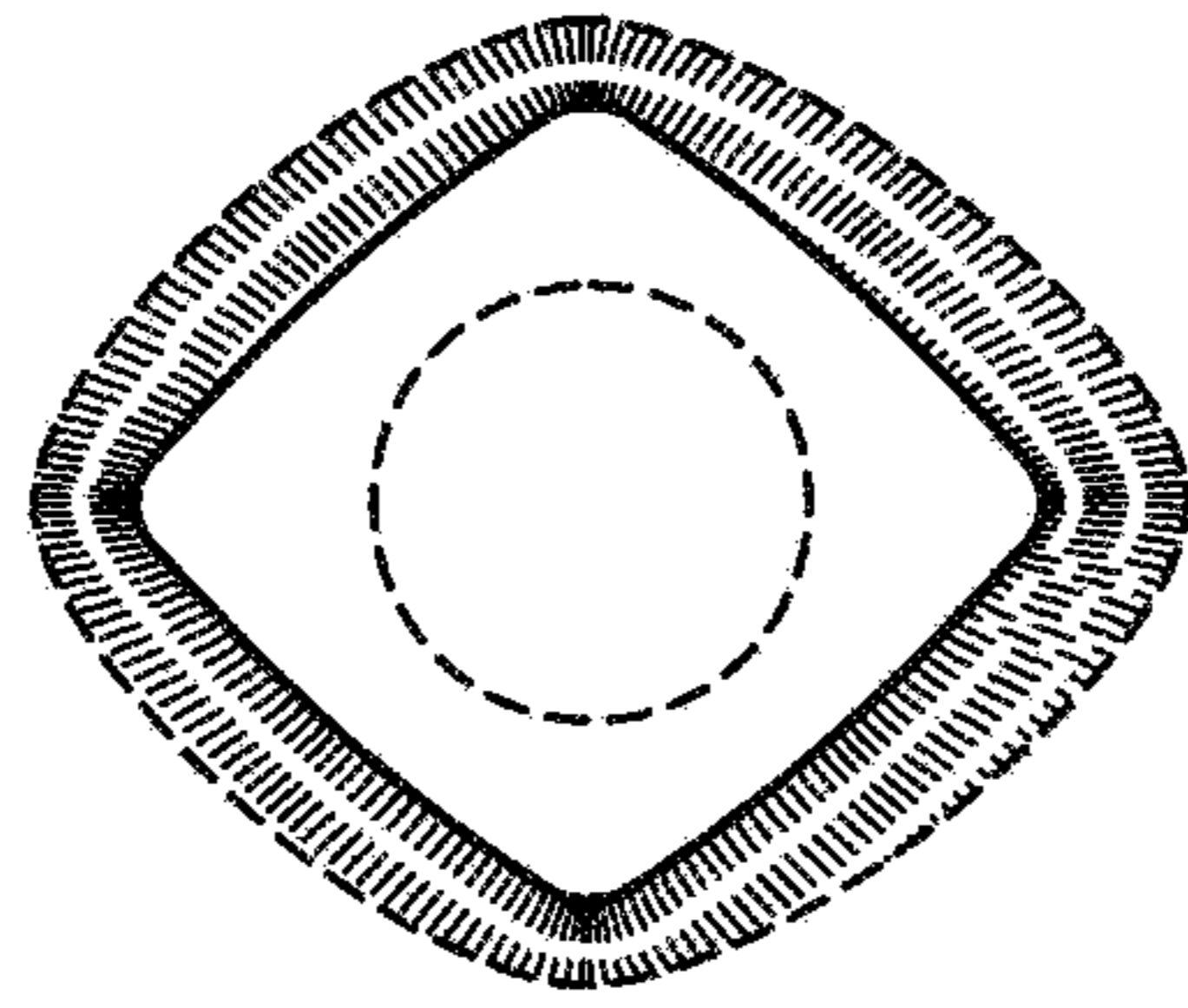


FIG. 6

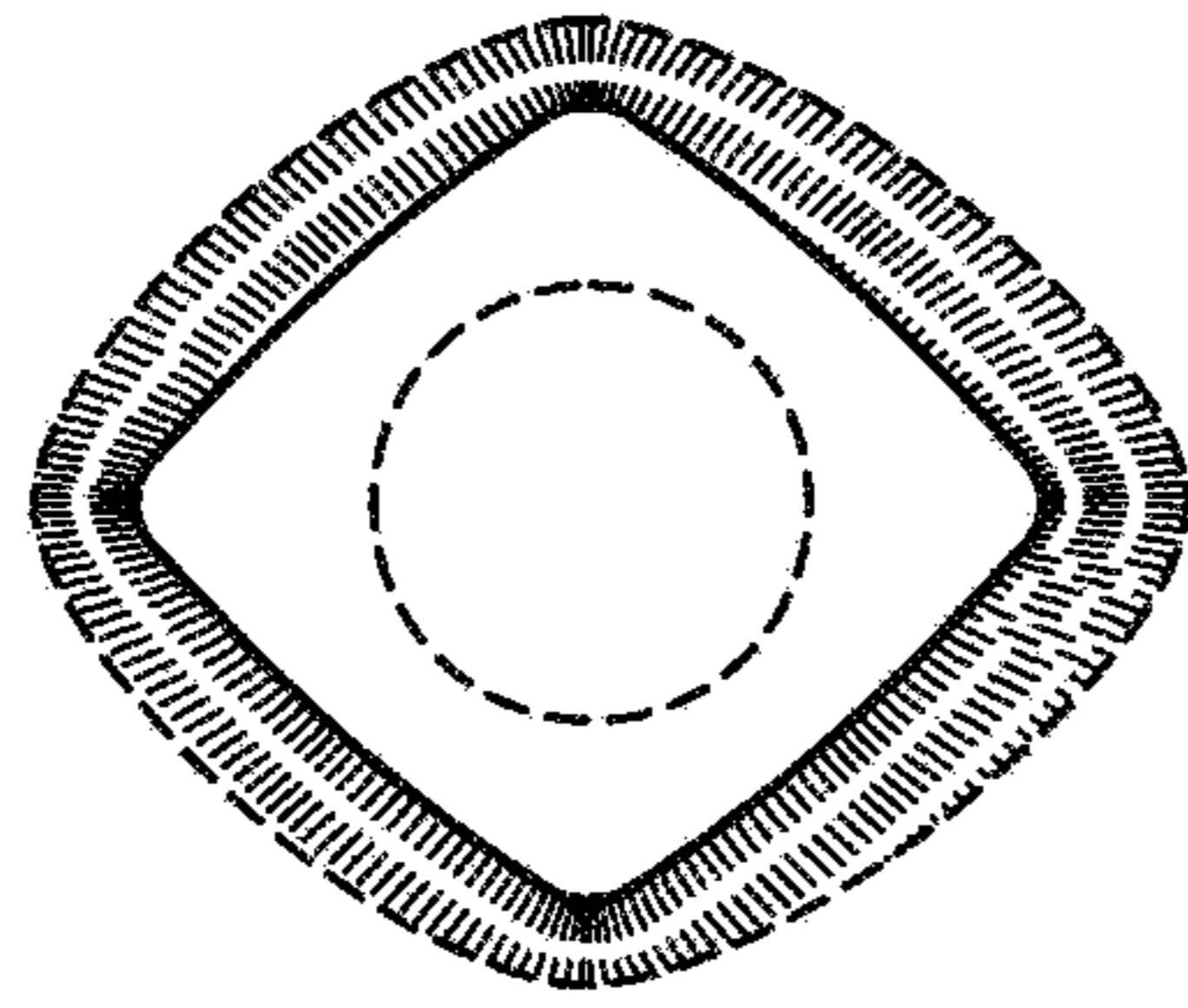


FIG. 7