



US00D978538S

(12) **United States Design Patent** (10) **Patent No.:** **US D978,538 S**  
**Trigg et al.** (45) **Date of Patent:** **\*\* Feb. 21, 2023**

(54) **ENDOSCOPE FLUSHING PUMP**  
(71) Applicant: **Keymed (Medical & Industrial Equipment) Limited, Essex (GB)**  
(72) Inventors: **Daniel Trigg, Essex (GB); Jordan Lezlie Jowitt, Essex (GB); Deepesh Moolchandani, Essex (GB); James Collier Shephard, Essex (GB); Savvas Voulgaris, Essex (GB); Samuel Hallows, Essex (GB); Nicholas MacMillan, Essex (GB)**

D651,720 S \* 1/2012 Isozaki ..... D24/216  
D654,164 S \* 2/2012 Cole ..... D24/108  
D728,776 S \* 5/2015 Rogers ..... D24/107  
D735,883 S \* 8/2015 Bauer ..... D24/234  
D772,086 S \* 11/2016 Schueren ..... D24/234  
D782,690 S \* 3/2017 Kurihara ..... D24/216  
D794,786 S \* 8/2017 Hayamizu ..... D24/138  
D812,218 S \* 3/2018 Lacy ..... D24/111  
D854,703 S \* 7/2019 Juhlin ..... D24/216  
D909,567 S \* 2/2021 Archat ..... D24/111  
D939,080 S \* 12/2021 Tanaka ..... D24/111  
D958,840 S \* 7/2022 Sharpstone ..... D24/111

(Continued)

(73) Assignee: **Keymed (Medical & Industrial Equipment) Limited, Essex (GB)**

(\*\*) Term: **15 Years**

(21) Appl. No.: **35/514,067**

(22) Filed: **Mar. 30, 2022**

(80) **Hague Agreement Data**

Int. Filing Date: **Mar. 30, 2022**  
Int. Reg. No.: **DM/220003**  
Int. Reg. Date: **Mar. 30, 2022**  
Int. Reg. Pub. Date: **Apr. 15, 2022**

(51) **LOC (14) Cl.** ..... **04-02**

(52) **U.S. Cl.**  
USPC ..... **D4/111**

(58) **Field of Classification Search**  
USPC ..... D24/111, 138, 216, 234, 231, 233, 107, D24/108  
CPC . A61K 31/5375; A61M 5/172; A61M 5/1456; G16H 10/65  
See application file for complete search history.

(56) **References Cited**

**U.S. PATENT DOCUMENTS**

D445,509 S \* 7/2001 Berndt ..... D24/231  
D537,951 S \* 3/2007 Okamoto ..... D24/233  
D638,545 S \* 5/2011 Okawa ..... D24/186

**OTHER PUBLICATIONS**

“Olympus America . . . ” reference found on Sep. 29, 2022 on the internet at: [https://www.graylinemedical.com/products/olympus-america-flushing-pumps-flushing-pump-endoscopic-ofp-2?variant=31856252485689&gclid=EAIaIQobChMI2L6p-be7-glVIW1vBB3oXAzKEAQYBCABEGK3zPD\\_BwE.\\*](https://www.graylinemedical.com/products/olympus-america-flushing-pumps-flushing-pump-endoscopic-ofp-2?variant=31856252485689&gclid=EAIaIQobChMI2L6p-be7-glVIW1vBB3oXAzKEAQYBCABEGK3zPD_BwE.*)

(Continued)

*Primary Examiner* — Rhea Shields

(74) *Attorney, Agent, or Firm* — Leydig, Voit & Mayer, Ltd.

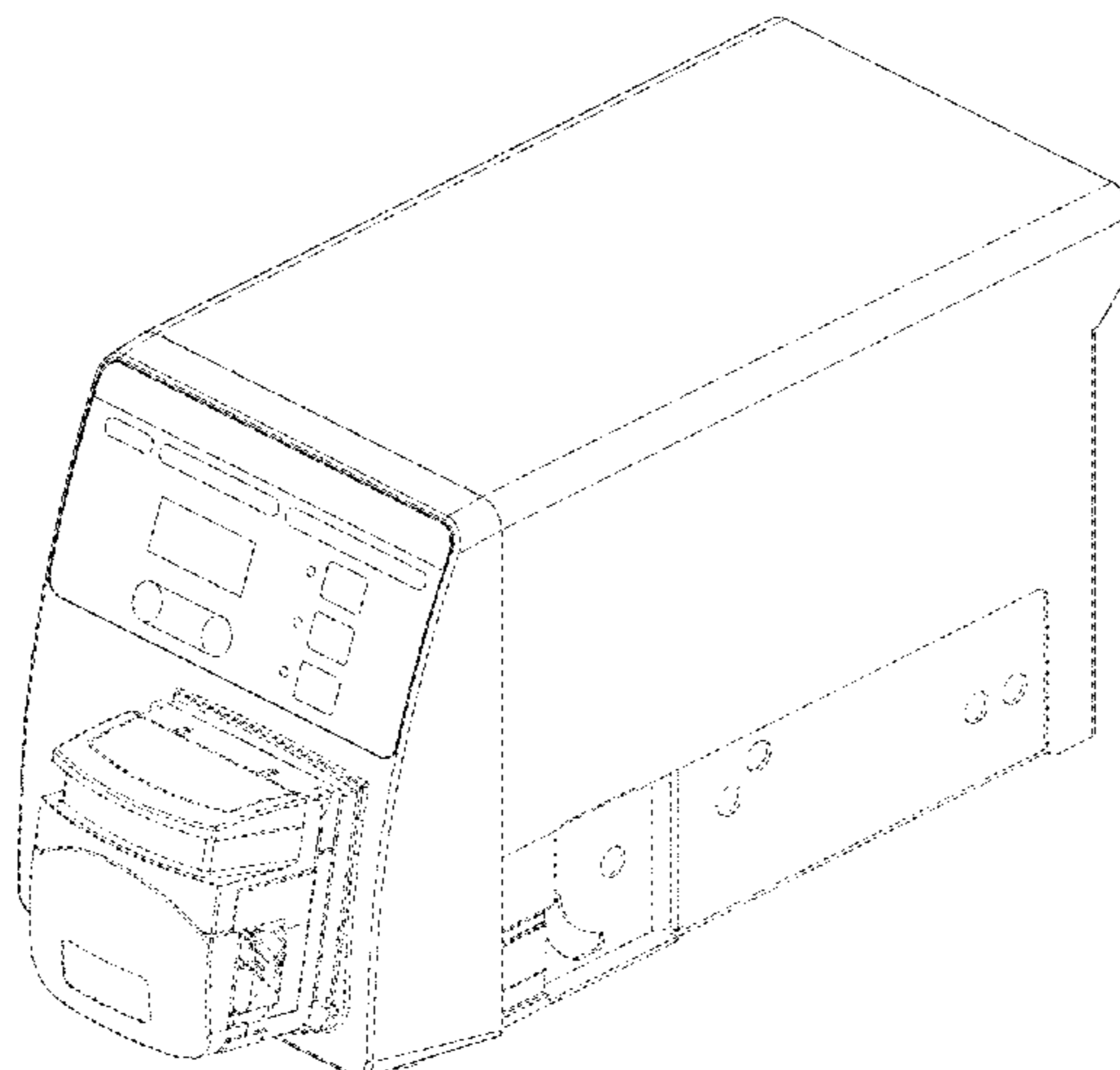
(57) **CLAIM**

The ornamental design for an endoscope flushing pump, as shown and described.

**DESCRIPTION**

- 1. Endoscope flushing pump
- 1.1 : Front perspective
- 1.2 : Rear perspective
- 1.3 : Front
- 1.4 : Rear view
- 1.5 : Side view
- 1.6 : Other side view
- 1.7 : Plan view
- 1.8 : Bottom

(Continued)



In the drawings, the broken lines are for the purpose of illustrating portions of the endoscope flushing pump that forms no part of the claimed design.

**1 Claim, 8 Drawing Sheets**

(56) **References Cited**

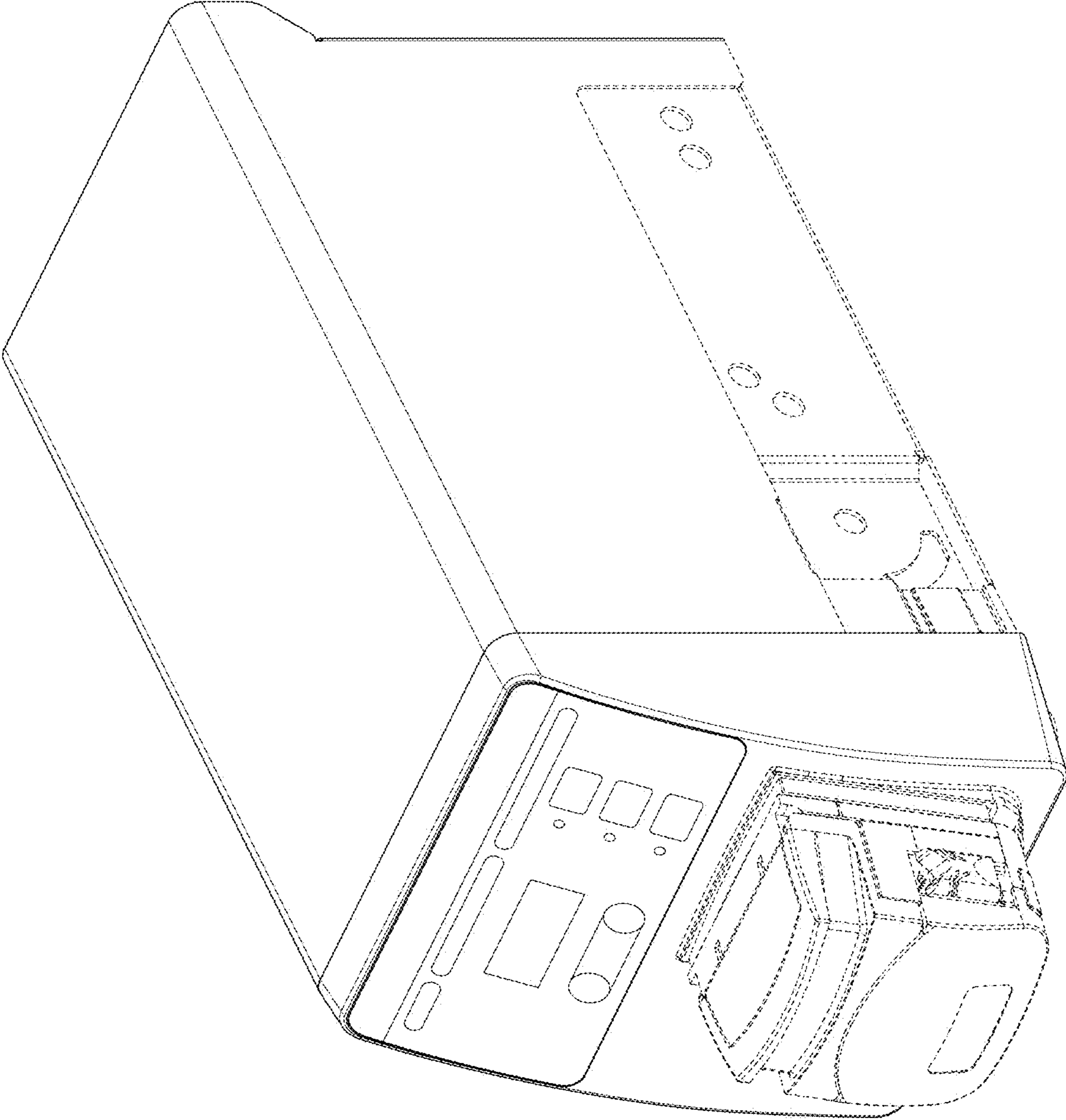
U.S. PATENT DOCUMENTS

2014/0046296 A1\* 2/2014 Clarke ..... A61M 5/1456  
604/152  
2015/0238689 A1\* 8/2015 Shimizu ..... A61M 5/172  
604/67  
2017/0258985 A1\* 9/2017 Adams ..... A61B 50/00  
2020/0206419 A1\* 7/2020 Katsunuma ..... G16H 10/65

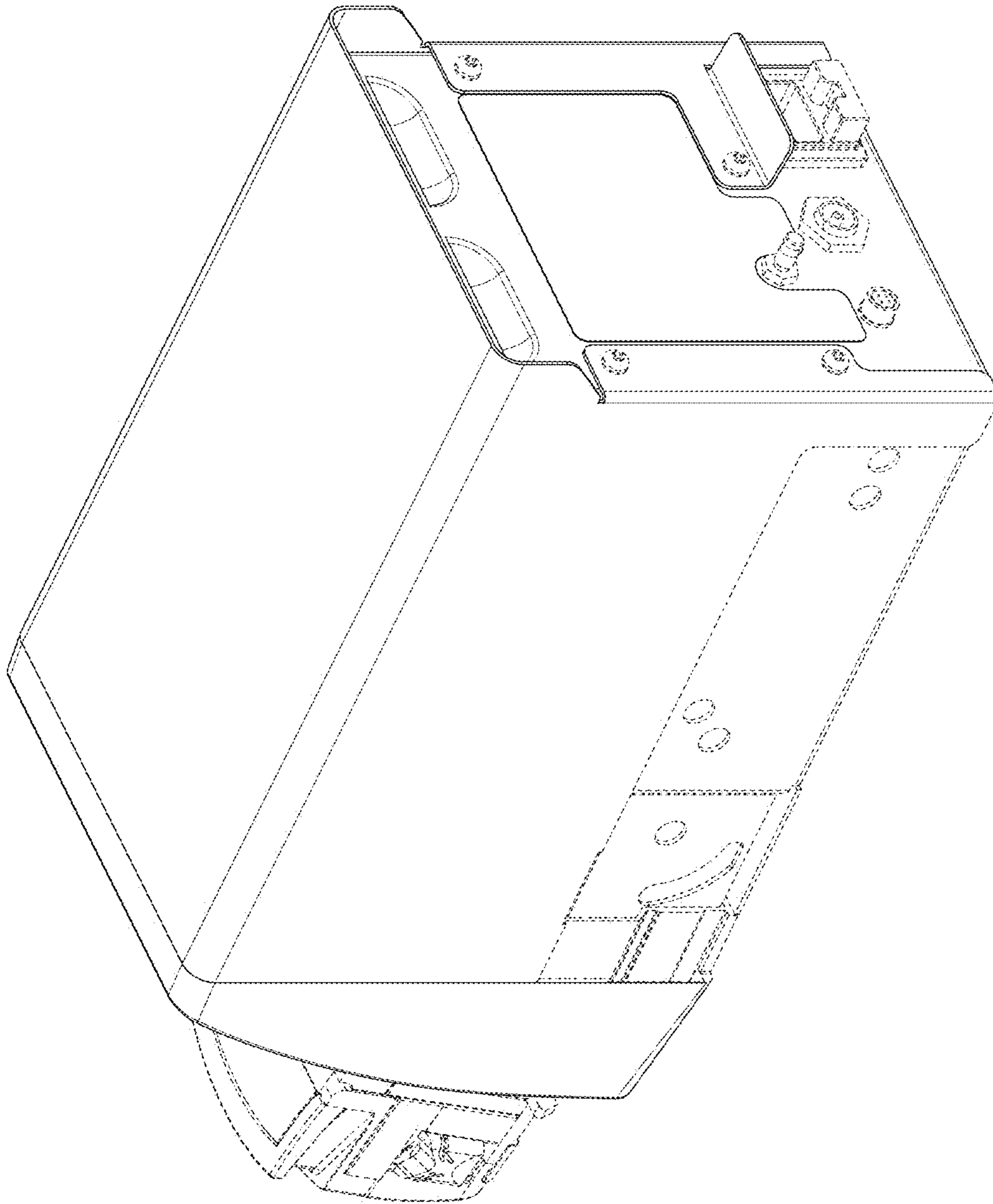
OTHER PUBLICATIONS

“Olympus OFP . . . ” reference found on Sep. 29, 2022 on the internet at: <https://altsourcemedical.com/products/olympus-ofp-2-flushing-pump-refurbished?variant=13784954765356>.\*

\* cited by examiner

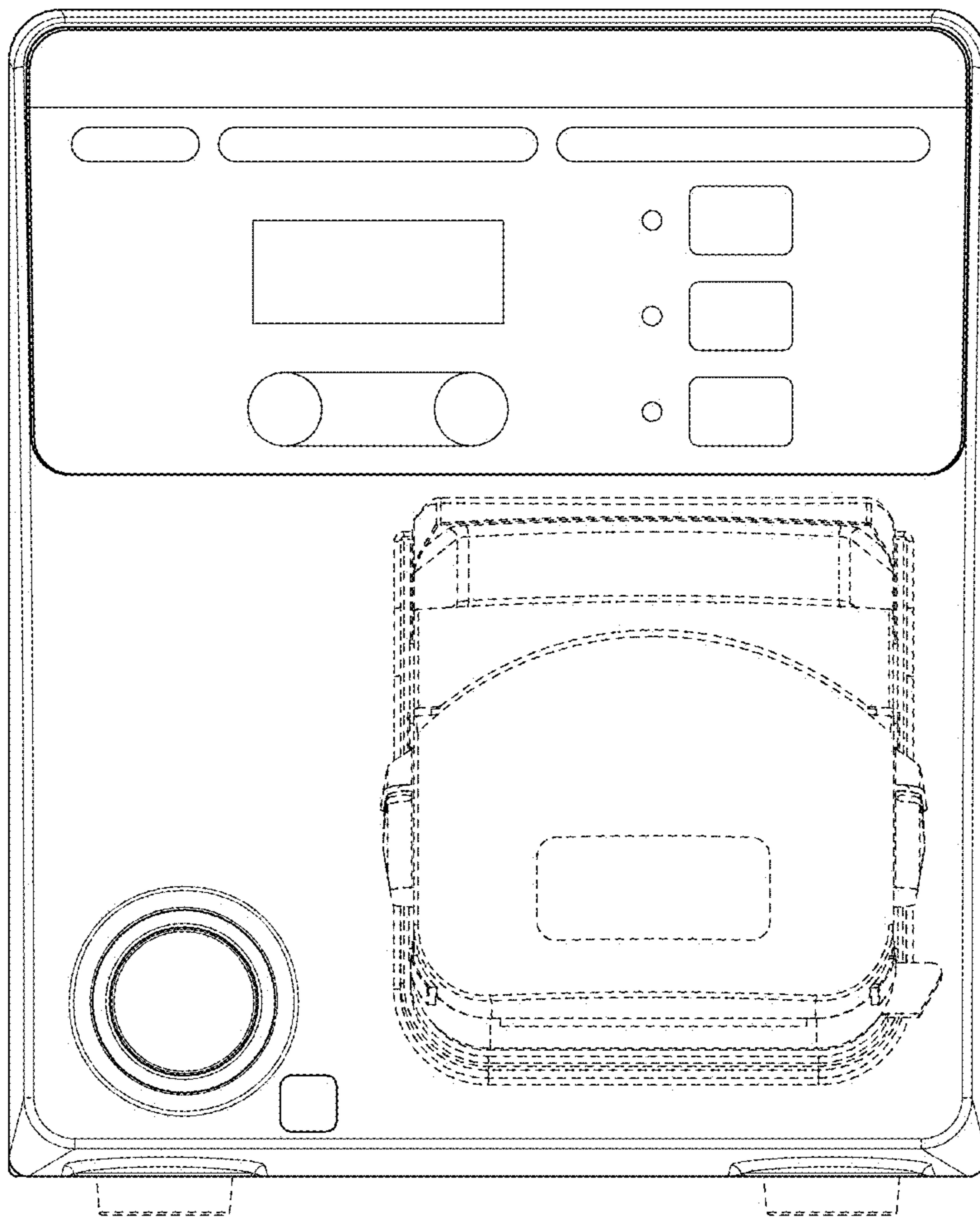


1.1



1.2

1.3



1.4

