



US00D978537S

(12) **United States Design Patent** (10) **Patent No.:** **US D978,537 S**  
**Qin et al.** (45) **Date of Patent:** **\*\* Feb. 21, 2023**

(54) **ELECTRIC TOOTHBRUSH** 8,882,380 B2 \* 11/2014 Jimenez ..... A46B 11/0065  
401/175  
(71) Applicant: **NANCHANG DENTALBRIGHT** D742,649 S \* 11/2015 Thompson ..... D4/104  
**TECHNOLOGY CO., LTD**, Nanchang 9,427,076 B2 \* 8/2016 Jimenez ..... A61C 17/227  
(CN) 10,213,012 B2 \* 2/2019 Jimenez ..... A46B 11/0024  
10,441,175 B2 \* 10/2019 Xi ..... A61B 5/1032  
(72) Inventors: **Junyuan Qin**, Nanchang (CN); **Yuanda** D959,147 S \* 8/2022 Yu ..... D4/101  
**Xiong**, Nanchang (CN) 11,419,502 B2 \* 8/2022 Xi ..... A46B 15/0004  
2015/0033486 A1 \* 2/2015 Chiou ..... A46D 1/0238  
15/167.1

(73) Assignee: **NANCHANG DENTALBRIGHT**  
**TECHNOLOGY CO., LTD**, Nanchang  
(CN)

(\*\*) Term: **15 Years**

(21) Appl. No.: **29/778,132**

(22) Filed: **Apr. 11, 2021**

(51) **LOC (14) Cl.** ..... **28-03**

(52) **U.S. Cl.**  
USPC ..... **D4/104**

(58) **Field of Classification Search**  
USPC ..... D4/101, 104, 105, 106, 107, 108, 109,  
D4/110, 111, 112, 113  
CPC .... A46B 2200/1066; A46B 9/04; A61C 17/16  
See application file for complete search history.

(56) **References Cited**

**U.S. PATENT DOCUMENTS**

D133,542 S \* 8/1942 Kells ..... 15/167.1  
D134,367 S \* 11/1942 Fry ..... D4/108  
D157,669 S \* 3/1950 Graves, Jr. .... D4/108  
D176,748 S \* 1/1956 Asturias, Jr. .... D4/108  
D240,677 S \* 7/1976 Thompson ..... D4/104  
D318,375 S \* 7/1991 Bennett ..... D4/108  
D336,782 S \* 6/1993 Vela ..... D4/114  
D621,160 S \* 8/2010 Ballmaier ..... D4/104  
D660,002 S \* 5/2012 Smigel ..... D4/104  
D687,226 S \* 8/2013 Doumoto ..... D4/101  
D697,721 S \* 1/2014 Xi ..... D4/107

**FOREIGN PATENT DOCUMENTS**

CN 307228566 \* 4/2022  
EM 008481618-0001 \* 4/2021

\* cited by examiner

*Primary Examiner* — Karen E Eldridge Powers

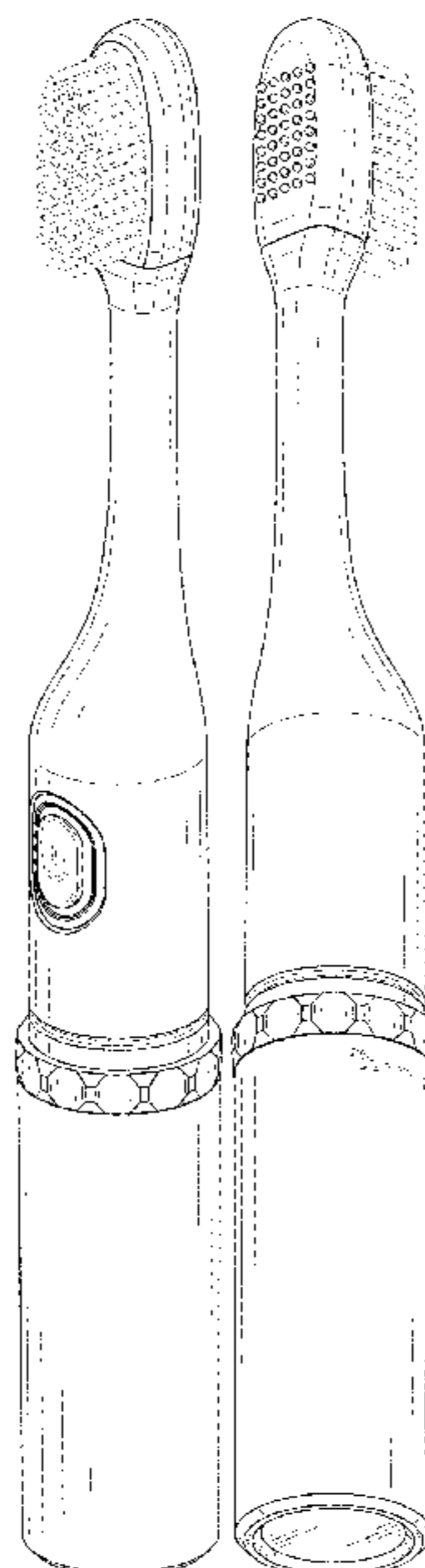
(57) **CLAIM**

The ornamental design for an electric toothbrush, as shown and described.

**DESCRIPTION**

FIG. 1 is a front, top and right side perspective view of an electric toothbrush showing my new design;  
FIG. 2 is a rear, bottom and left side perspective view thereof;  
FIG. 3 is a front elevational view thereof;  
FIG. 4 is a rear elevational view thereof;  
FIG. 5 is a left side elevational view thereof;  
FIG. 6 is a right side elevational view thereof;  
FIG. 7 is a top plan view thereof;  
FIG. 8 is a bottom plan view thereof; and,  
FIG. 9 is a perspective view of the electric toothbrush where the electric toothbrush is in a configuration of use.  
The broken lines in the drawings depict portions of the electric toothbrush that form no part of the claimed design.

**1 Claim, 9 Drawing Sheets**



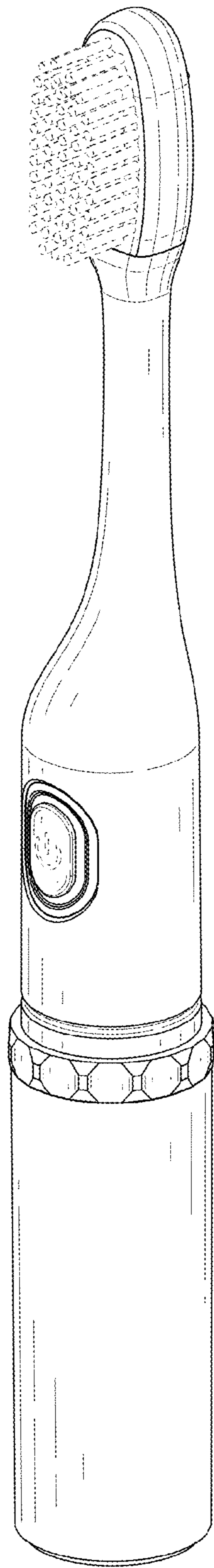


FIG. 1

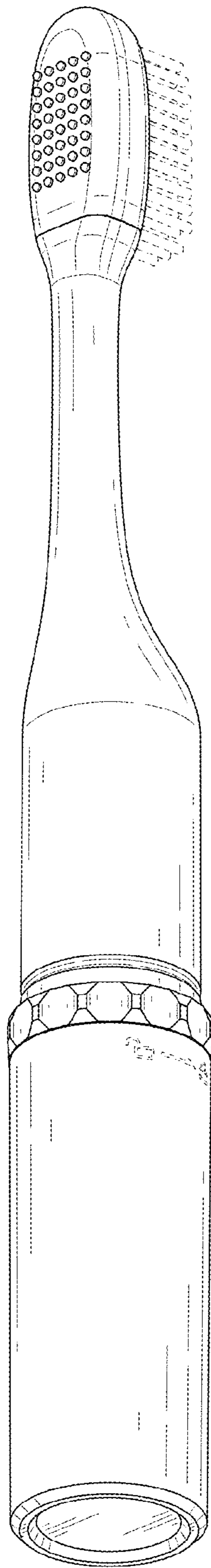


FIG. 2

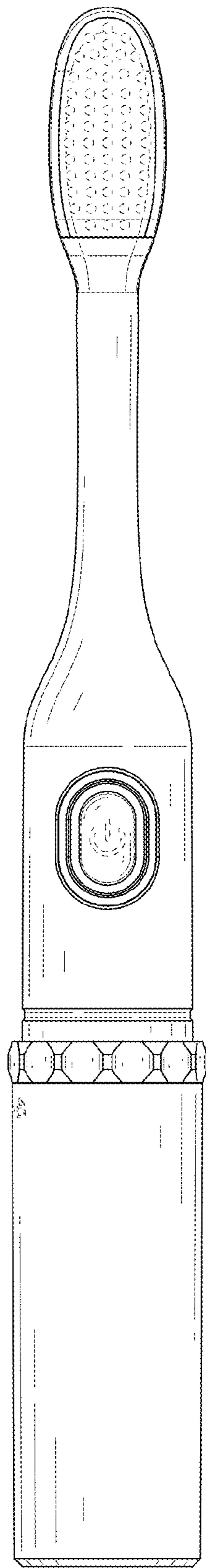


FIG. 3

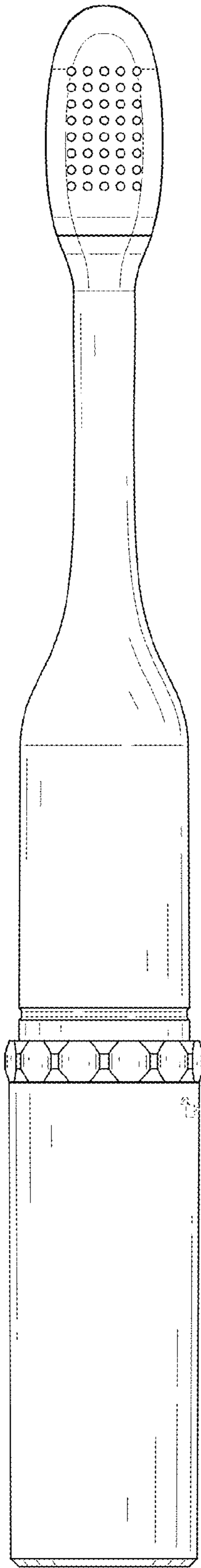


FIG. 4

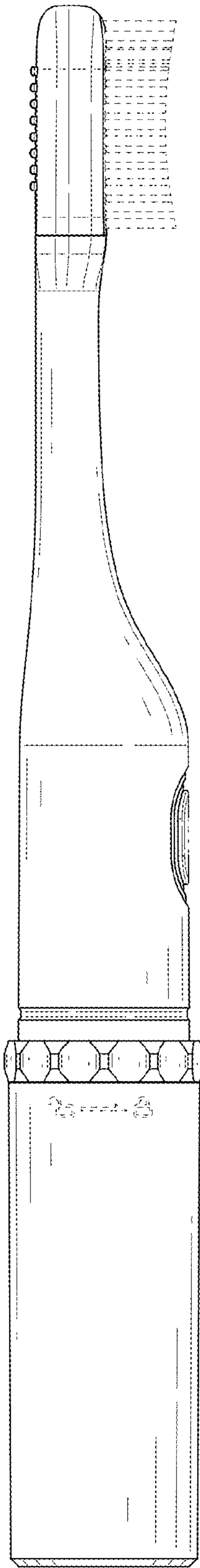


FIG. 5

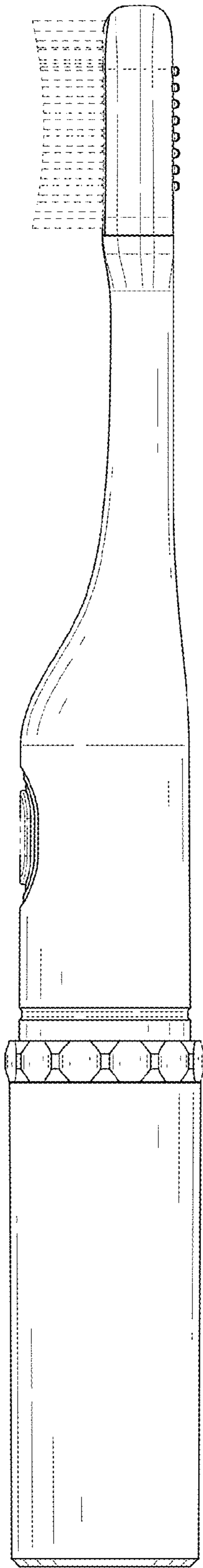


FIG. 6

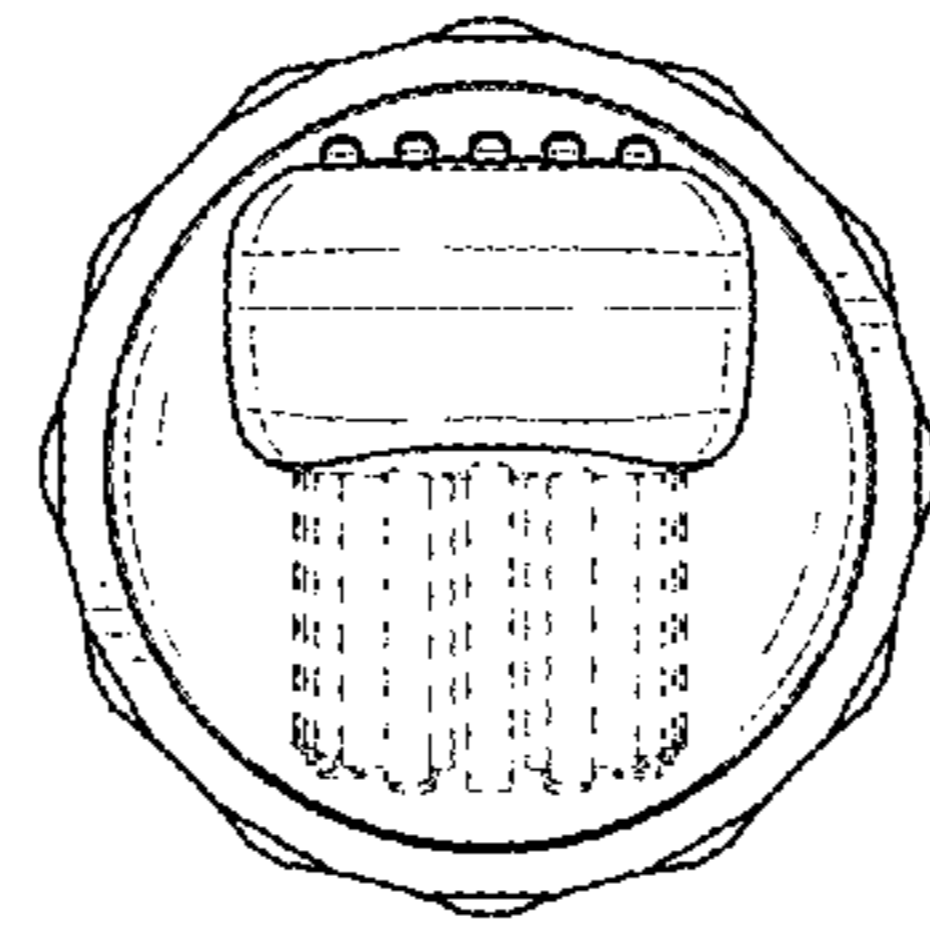


FIG. 7



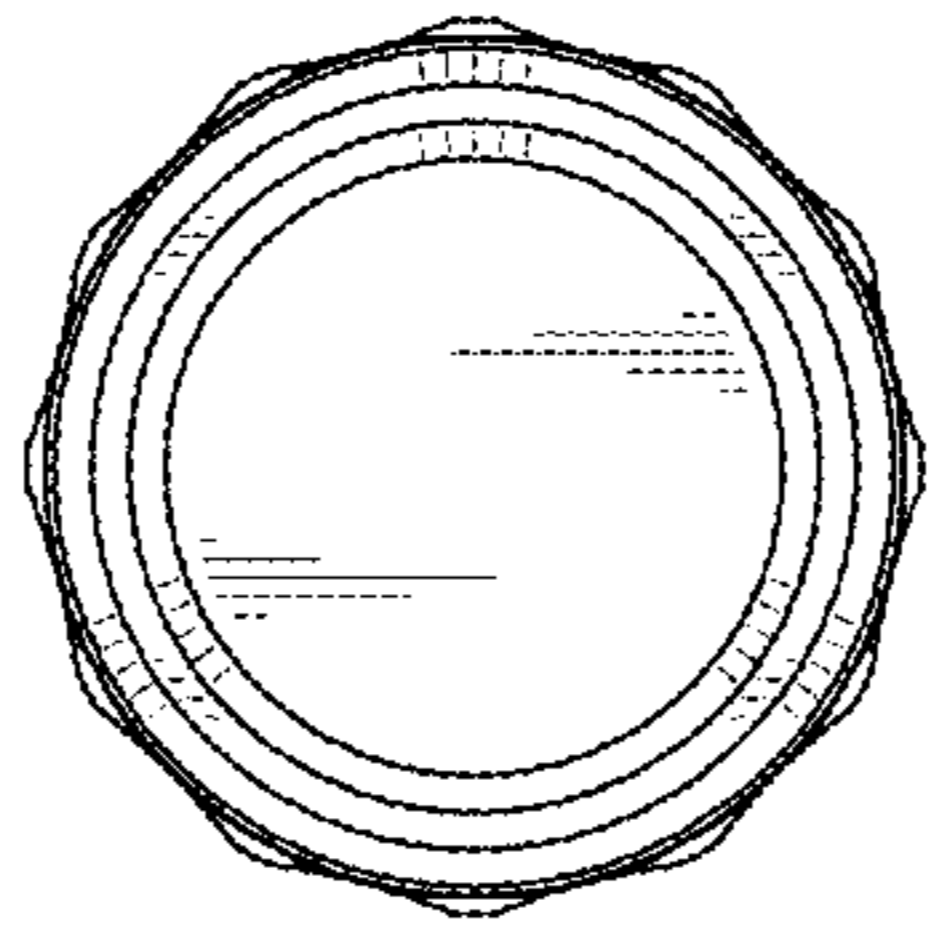


FIG. 8

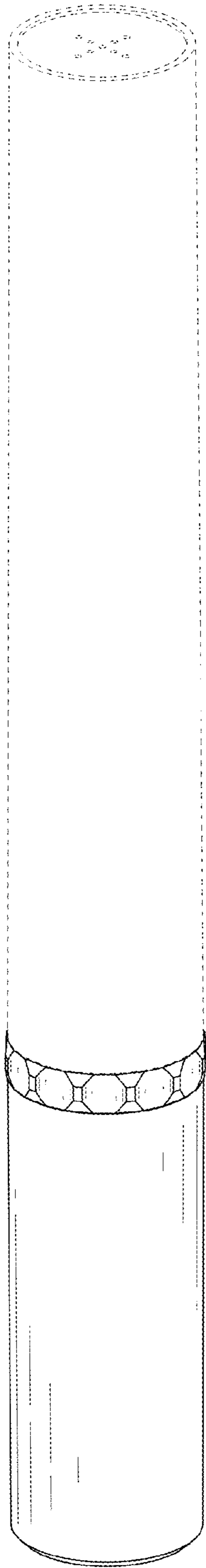


FIG. 9