



US00D978533S

(12) **United States Design Patent** (10) **Patent No.:** **US D978,533 S**
Dai (45) **Date of Patent:** **** Feb. 21, 2023**

(54) **CONTAINER**

(71) Applicant: **ShenZhen YiHong Technology Co., LTD**, Guangdong (CN)

(72) Inventor: **Yi Dai**, ShenZhen (CN)

(73) Assignee: **ShenZhen YiHong Technology CO., LTD**, ShenZhen (CN)

(**) Term: **15 Years**

(21) Appl. No.: **29/842,904**

(22) Filed: **Jun. 16, 2022**

(51) **LOC (14) Cl.** **03-01**

(52) **U.S. Cl.**

USPC **D3/307**

CPC **B65D 43/0202** (2013.01)

(58) **Field of Classification Search**

USPC D3/303–309; D9/737, 756, 761, 414,
D9/423–425, 430–432, 456;
D7/553.1–555, 557, 601, 603

CPC B65D 43/0202; B65D 25/06; B65D
21/0212; B65D 2543/00296; B65D
2543/00148; B65D 2543/00509; B65D
2543/00574; B65D 2543/00388

See application file for complete search history.

(56) **References Cited**

U.S. PATENT DOCUMENTS

4,179,061	A	12/1979	Gilbert	
D283,074	S *	3/1986	Skillius	D3/304
D365,730	S *	1/1996	Brightbill	D3/313
D517,319	S *	3/2006	Wisnoski	D3/304
D606,314	S *	12/2009	Neilsen	D3/313
D621,619	S *	8/2010	Ripoll	D3/304
D635,770	S	4/2011	Kobilarcik et al.	
8,152,005	B2 *	4/2012	Barkdoll	A47F 5/0838 248/214
D666,829	S *	9/2012	Liao	D3/304
D692,668	S	11/2013	Hu	
D699,034	S *	2/2014	Engert	D3/304
D709,289	S *	7/2014	Kraemer	D19/92

D712,148	S *	9/2014	Ghiorgie	D3/304
D713,146	S *	9/2014	Ghiorgie	D3/304
D731,185	S *	6/2015	Hsu	D3/304
D734,611	S *	7/2015	Baruch	D3/313
D762,065	S *	7/2016	Hsu	D3/304
D775,830	S	1/2017	Duvigneau	
D784,018	S *	4/2017	Shamp	D3/304
9,676,518	B2 *	6/2017	Shamp	B65D 21/048

(Continued)

OTHER PUBLICATIONS

“Set of 4 Refrigerator Organizer Bins Pop Soda Can Dispenser Beverage Holder for Fridge, Freezer, Kitchen, Countertops, Cabinets—Clear Plastic Canned Food Pantry Storage Rack” Sold by “Home &Party”; First available on Mar. 28, 2019. Site visited on Jun. 16, 2022, with link below https://www.amazon.com/Refrigerator-Organizer-Dispenser-Beverage-Countertops/dp/B07Q8JKGN3/ref=sr_1_5?crd=2ZTA776AYEA5Y&keywords=can+container&qid=1655409716&srefix=can+container%2Caps%2C123&sr=8-5.

Primary Examiner — Richard E Chilcot

(74) *Attorney, Agent, or Firm* — iPA & iPM

(57) **CLAIM**

The ornamental design for a container, as shown and described.

DESCRIPTION

FIG. 1 is a perspective view of a container showing my new design;

FIG. 2 is a perspective bottom view of the container;

FIG. 3 is a right side view thereof;

FIG. 4 is a left view thereof;

FIG. 5 is a back view thereof;

FIG. 6 is a front view thereof;

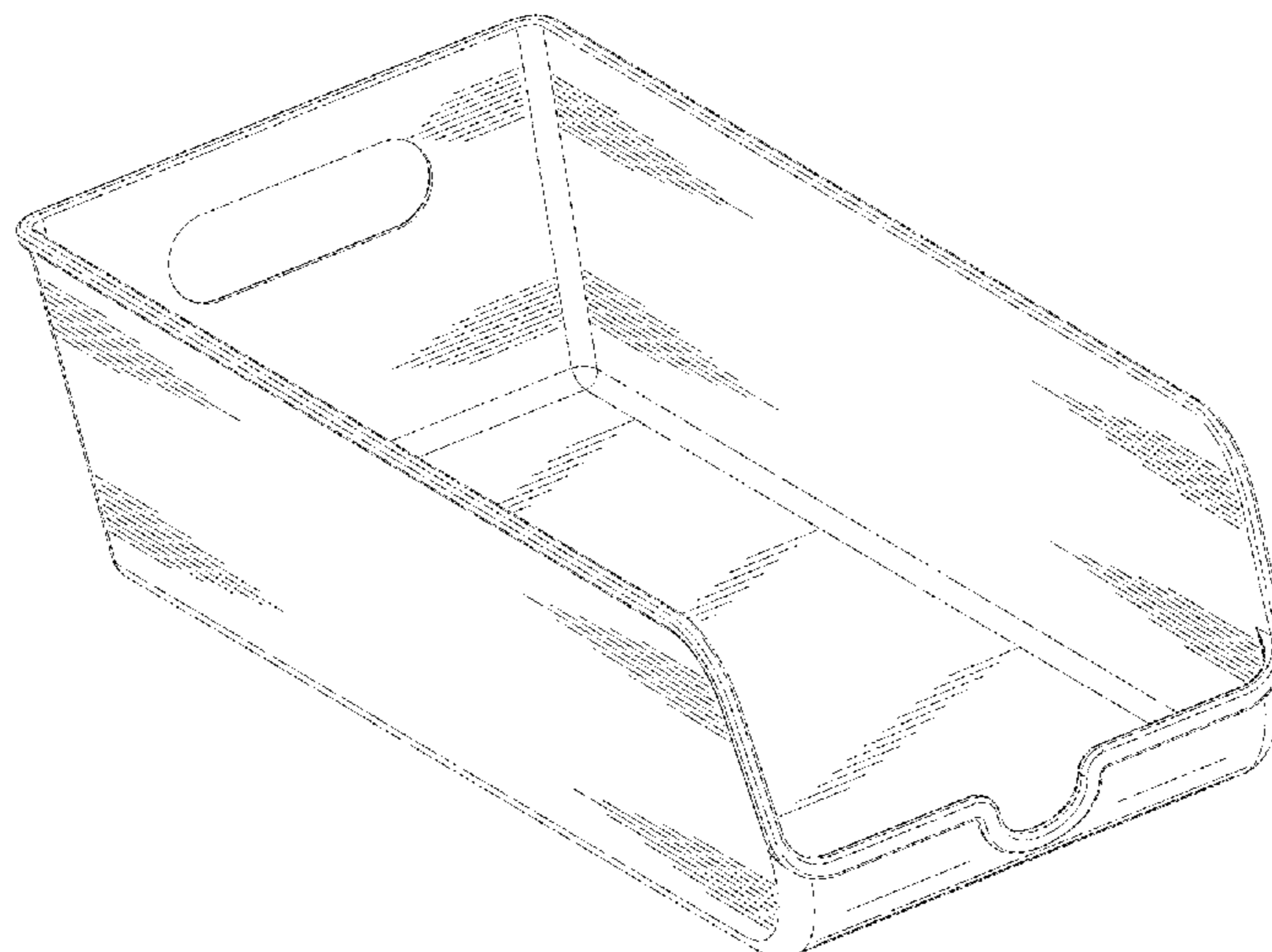
FIG. 7 is a top view thereof;

FIG. 8 is a bottom view thereof; and,

FIG. 9 is an enlarged perspective view of area 9 from FIG. 2.

Broken lines illustrate environmental elements and/or portions of the container that form no part of the claimed design.

1 Claim, 6 Drawing Sheets



(56)

References Cited

U.S. PATENT DOCUMENTS

D806,391 S *	1/2018	Ghiorghie	D3/304	D945,771 S *	3/2022	Dai	D3/304
9,878,817 B2	1/2018	Youell et al.		D945,772 S *	3/2022	Dai	D3/304
D812,910 S	3/2018	Harvey		D945,888 S *	3/2022	Dai	D9/737
D819,971 S	6/2018	Lindsay et al.		D963,341 S *	9/2022	Kraemer	D3/304
D848,188 S	5/2019	Holm		D965,397 S *	10/2022	Dai	D7/701
D855,991 S *	8/2019	Hsu	D3/304	D970,975 S *	11/2022	Zhou	D7/600.4
D860,812 S *	9/2019	McNally	D9/736	D971,026 S *	11/2022	Dai	D7/611
D872,482 S *	1/2020	Harvey	D3/304	D971,631 S *	12/2022	Dai	D6/525
D878,051 S *	3/2020	Kraemer	D3/307	2007/0131632 A1 *	6/2007	Brown	A47B 87/0261 211/184
D880,160 S *	4/2020	Hsu	D3/304	2009/0178989 A1 *	7/2009	Accuardi	B65D 21/048 206/509
D887,746 S *	6/2020	Kraemer	D6/515	2009/0294451 A1 *	12/2009	Martheenal	B65F 1/1468 220/495.11
D891,879 S	8/2020	Adams, Jr. et al.		2012/0043289 A1 *	2/2012	Brown	B65D 25/06 211/133.6
D913,694 S *	3/2021	Kraemer	D19/92	2012/0074024 A1 *	3/2012	Kobilarcik	B65D 43/0202 206/509
D924,568 S *	7/2021	Hsu	D3/304	2018/0094984 A1 *	4/2018	Sadinski	B65D 25/06
D930,717 S *	9/2021	Dai	D15/89				
D944,013 S *	2/2022	Kraemer	D3/307				
D944,014 S *	2/2022	Strum	D3/901				

* cited by examiner

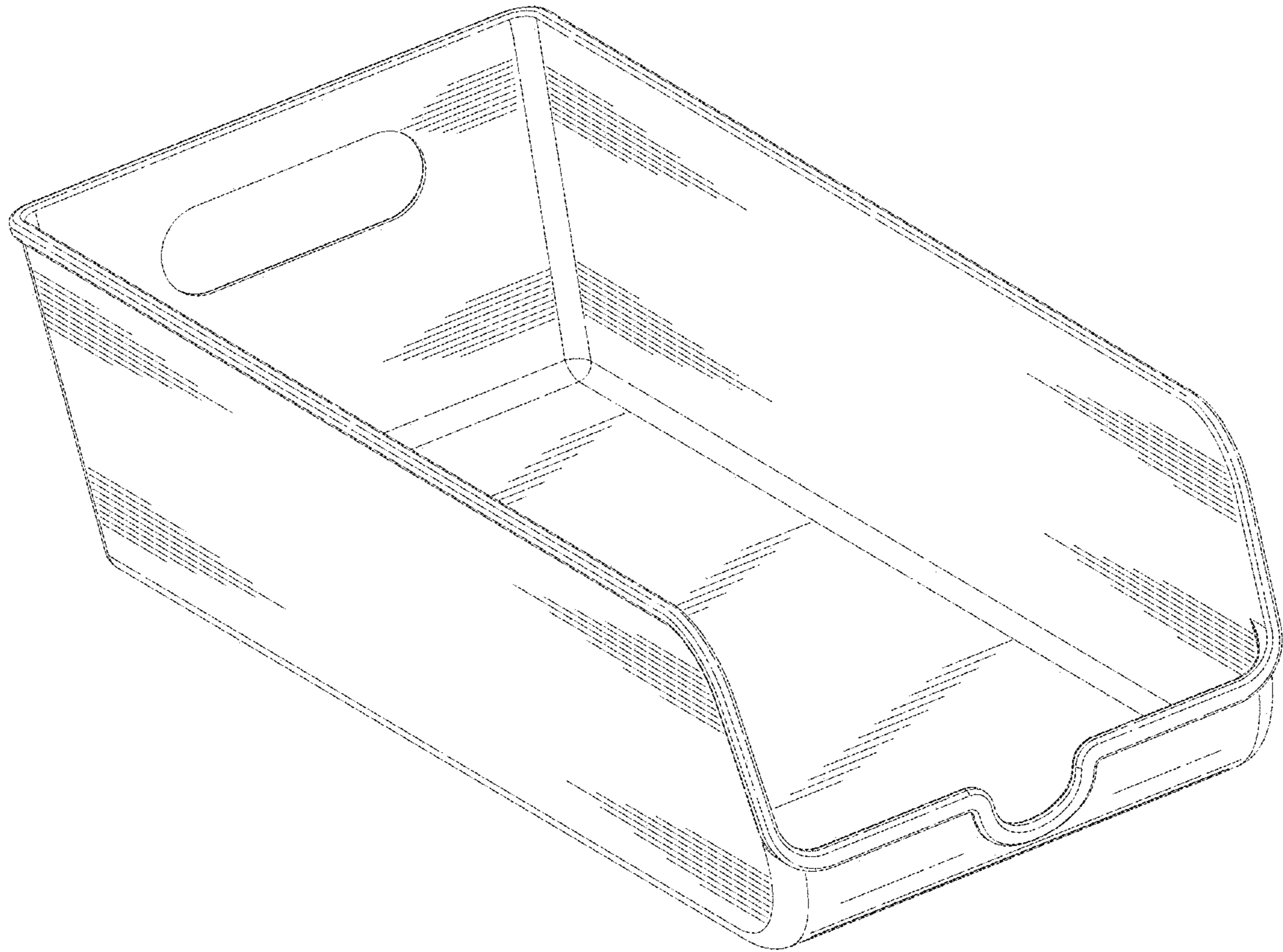


FIG. 1

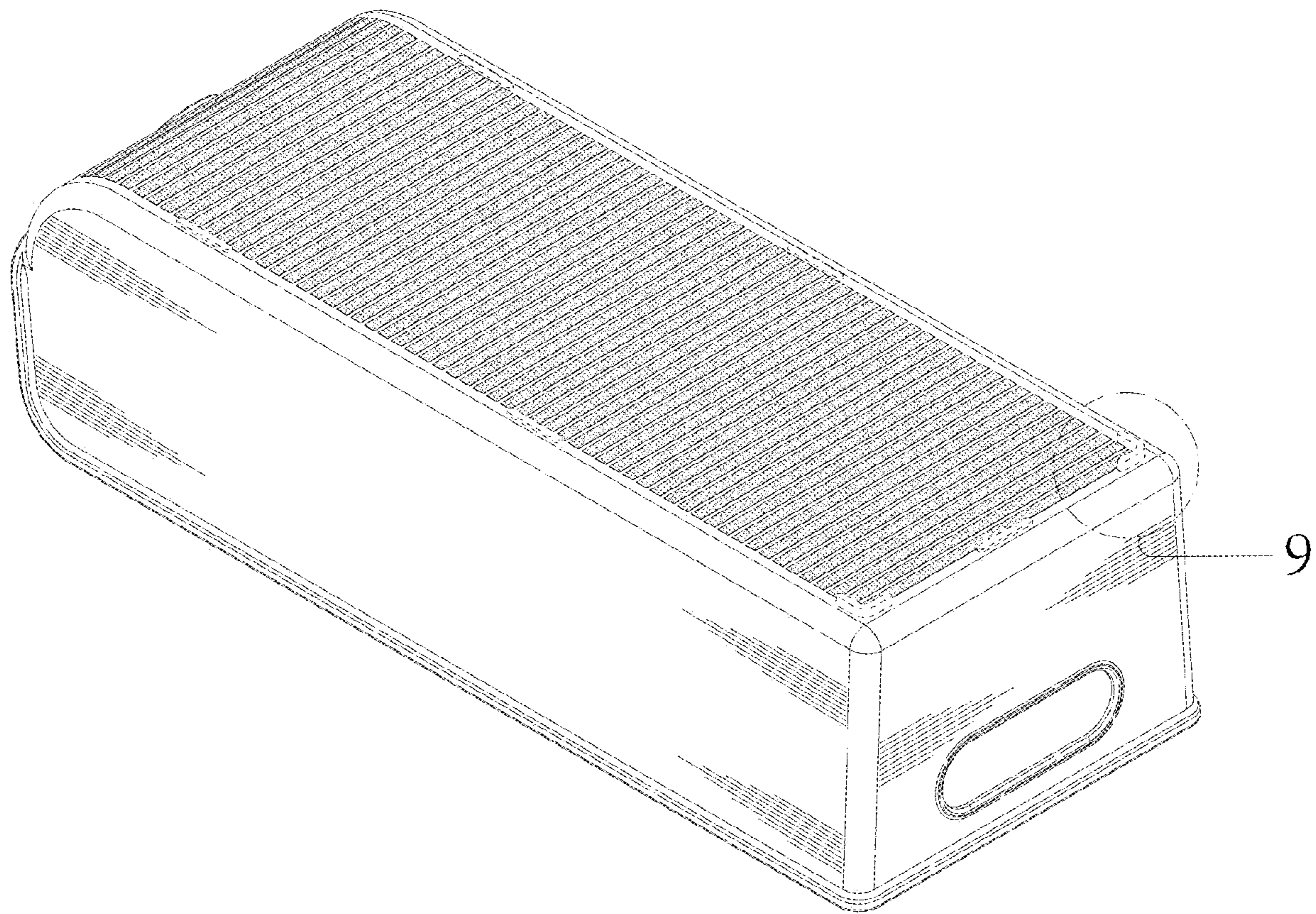


FIG. 2

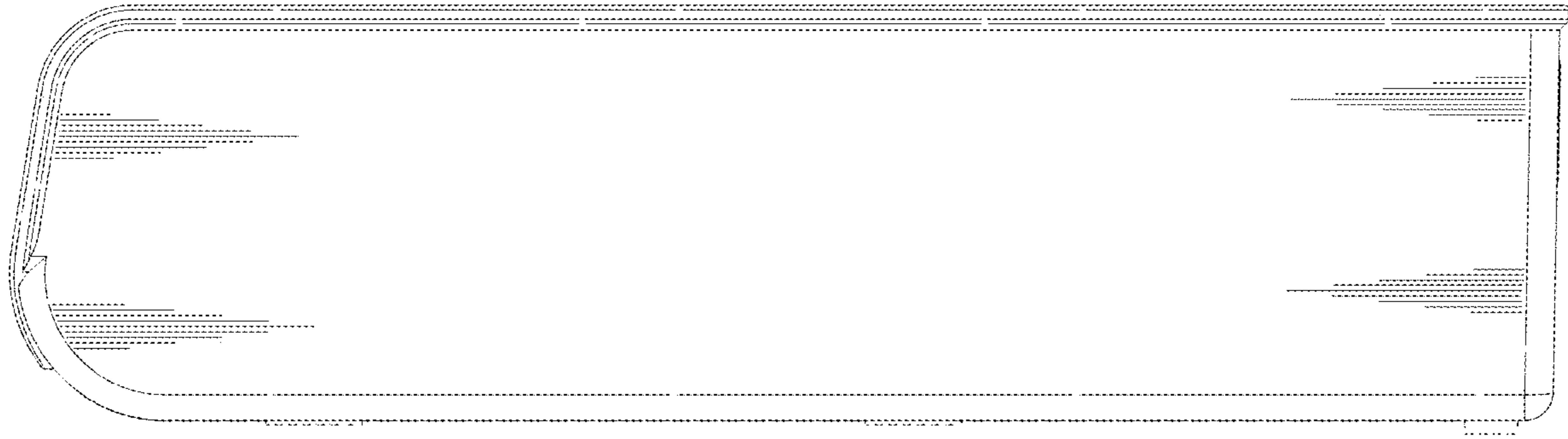


FIG. 3

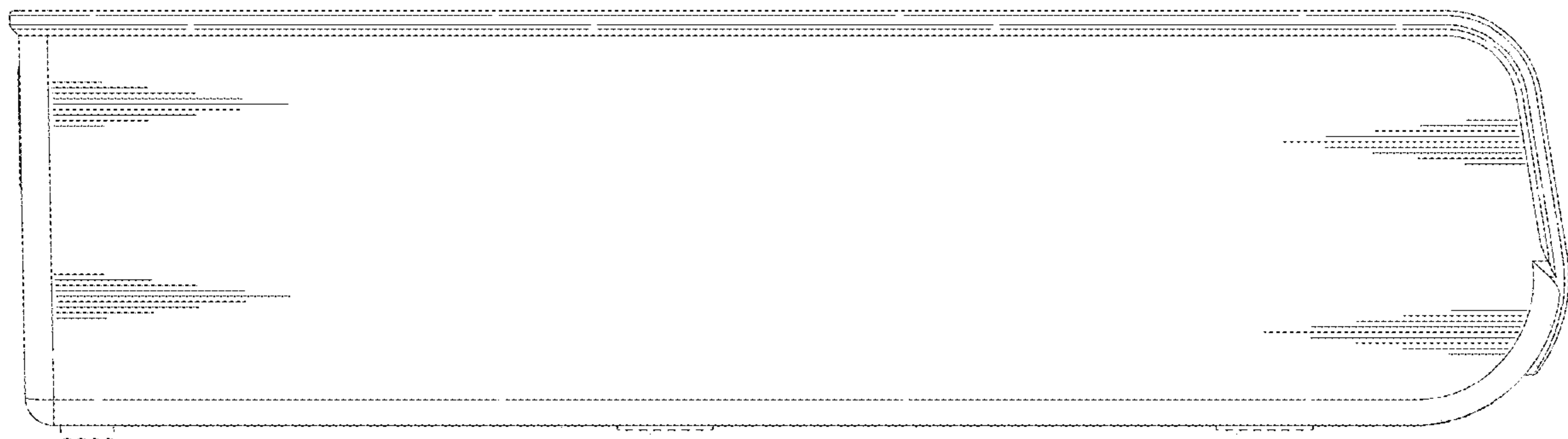


FIG. 4

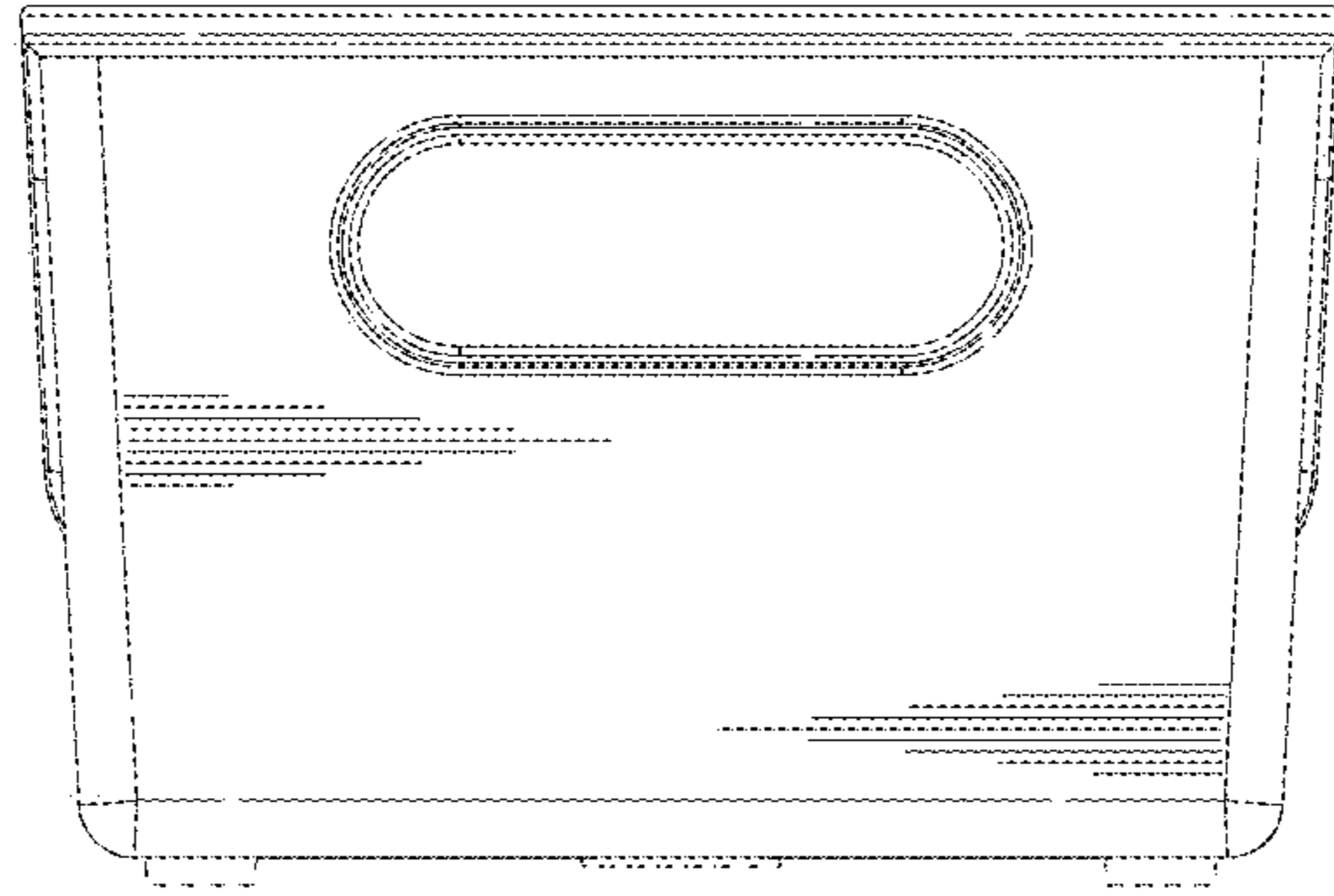


FIG. 5

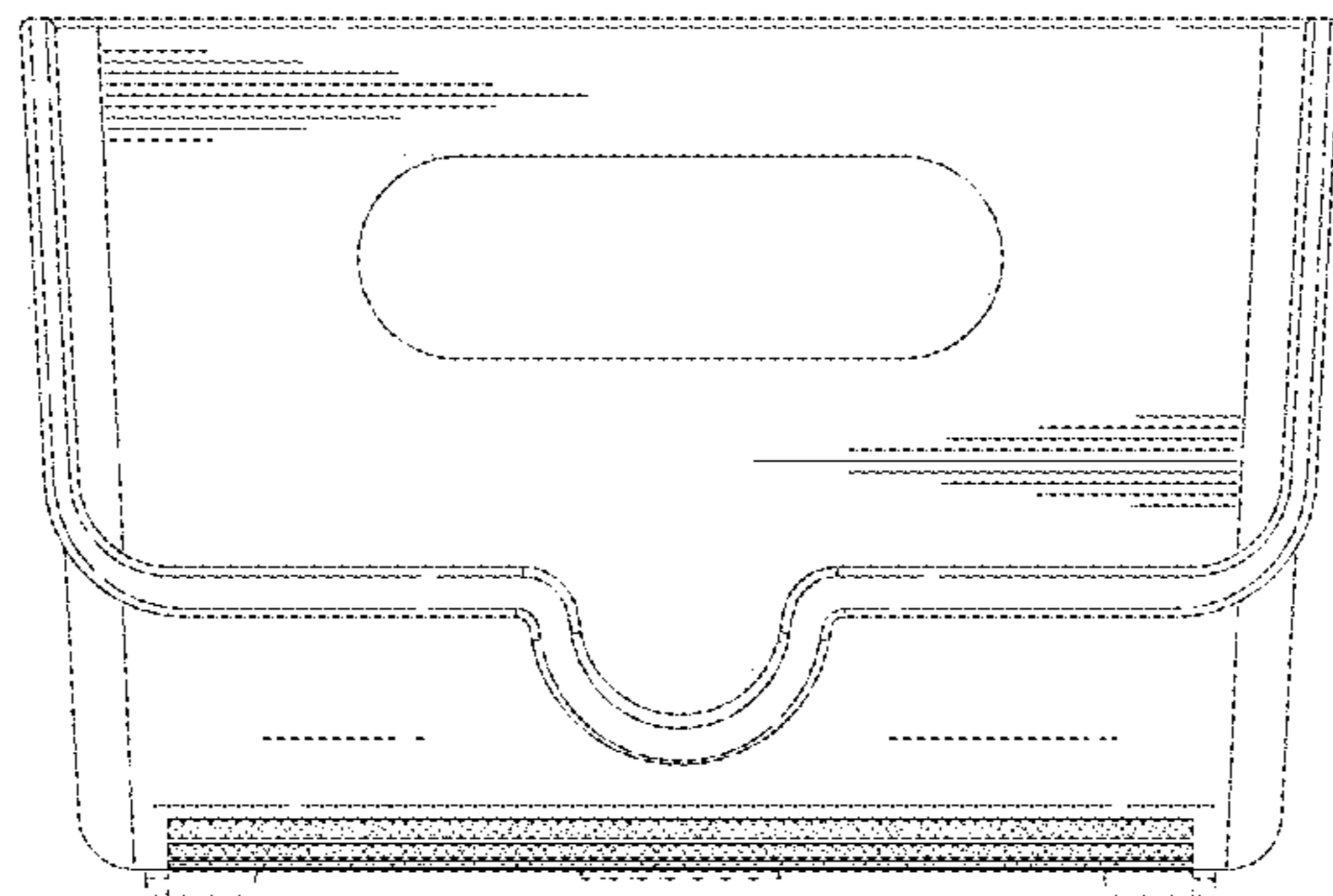


FIG. 6

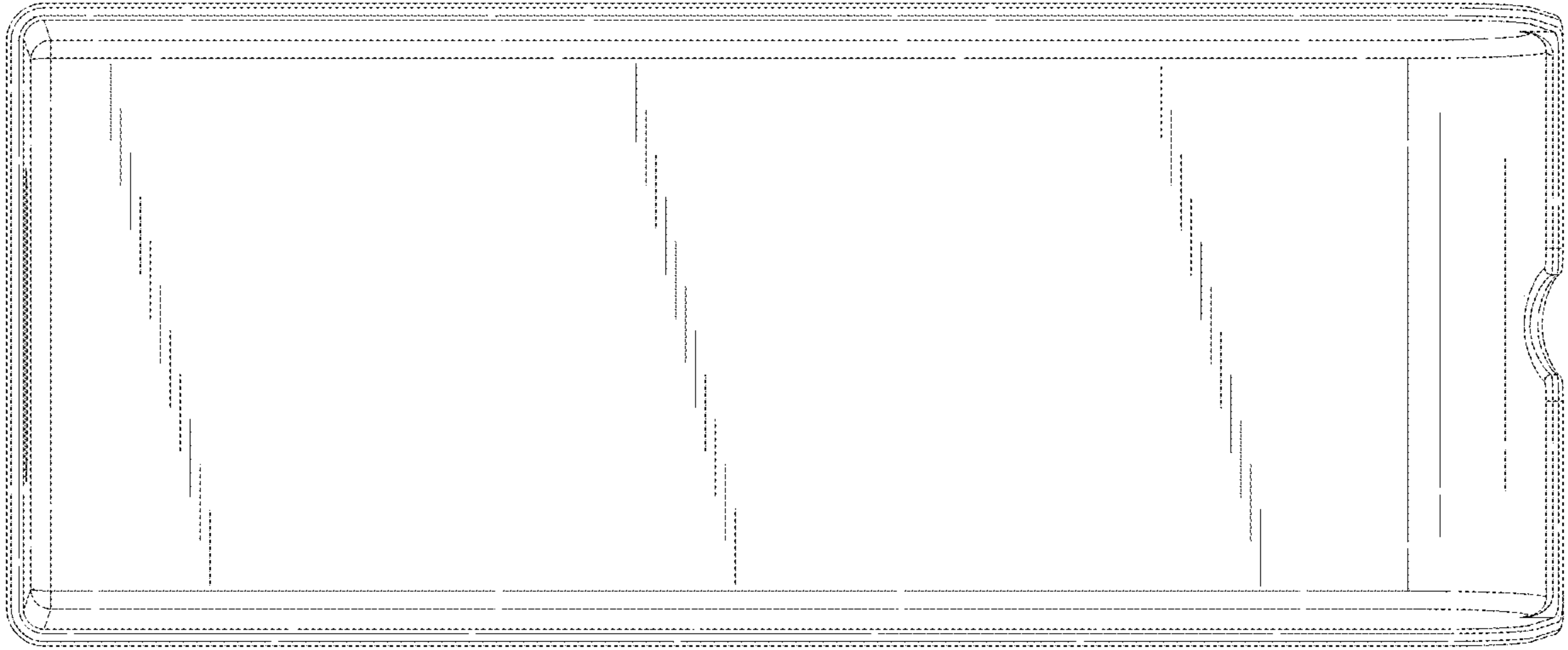


FIG. 7



FIG. 8

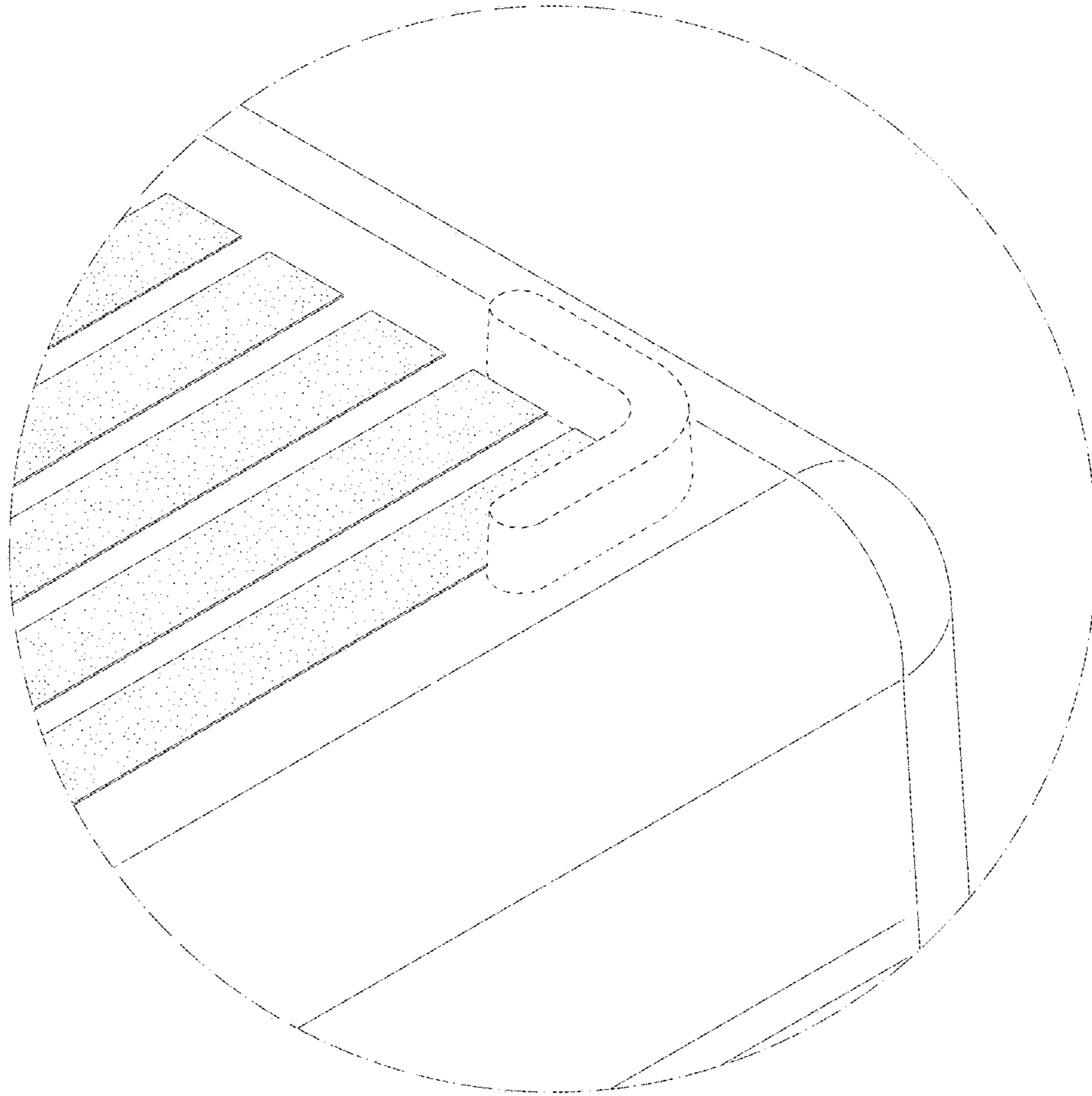


FIG. 9