



US00D978530S

(12) **United States Design Patent** (10) **Patent No.:** **US D978,530 S**  
**Lu** (45) **Date of Patent:** **\*\* Feb. 21, 2023**

(54) **CARD HOLDER WALLET WITH ARTICULATING LID**  
(71) Applicant: **Yijiong Lu**, Torrance, CA (US)  
(72) Inventor: **Yijiong Lu**, Torrance, CA (US)  
(\*\*) Term: **15 Years**  
(21) Appl. No.: **29/780,729**  
(22) Filed: **Apr. 26, 2021**  
(51) **LOC (14) Cl.** ..... **03-01**  
(52) **U.S. Cl.**  
USPC ..... **D3/247**  
(58) **Field of Classification Search**  
USPC ... D3/203.1, 203.6, 205-208, 212, 215, 226,  
D3/228, 230, 247-253, 265, 266, 273,  
D3/283, 288, 289, 318, 321, 323, 324,  
D3/326  
CPC ..... A45C 2001/067; A45C 2001/065; A45C  
1/06; A45C 2001/083  
See application file for complete search history.

**FOREIGN PATENT DOCUMENTS**

CN 305992507 \* 8/2020  
CN 306924723 \* 11/2021

**OTHER PUBLICATIONS**

Dapper Wallet, dangoproducts.com, first available 2022, retrieved online, online, <https://www.dangoproducts.com/products/d01-dapper-wallet> 2017 (Year: 2022).\*  
M1 Maverick™ Tactical Bifold Wallet, dangoproducts.com, first available 2022, retrieved online, online, <https://www.dangoproducts.com/collections/m1-maverick-wallets/products/m1-maverick-tactical-bifold-wallet-raw> 2019 (Year: 2022).\*

\* cited by examiner

*Primary Examiner* — Mary Shannon Malley  
*Assistant Examiner* — Dustin Andrew Griffith  
(74) *Attorney, Agent, or Firm* — Grossman, Tucker, Perreault & Pflieger, PLLC

(57) **CLAIM**

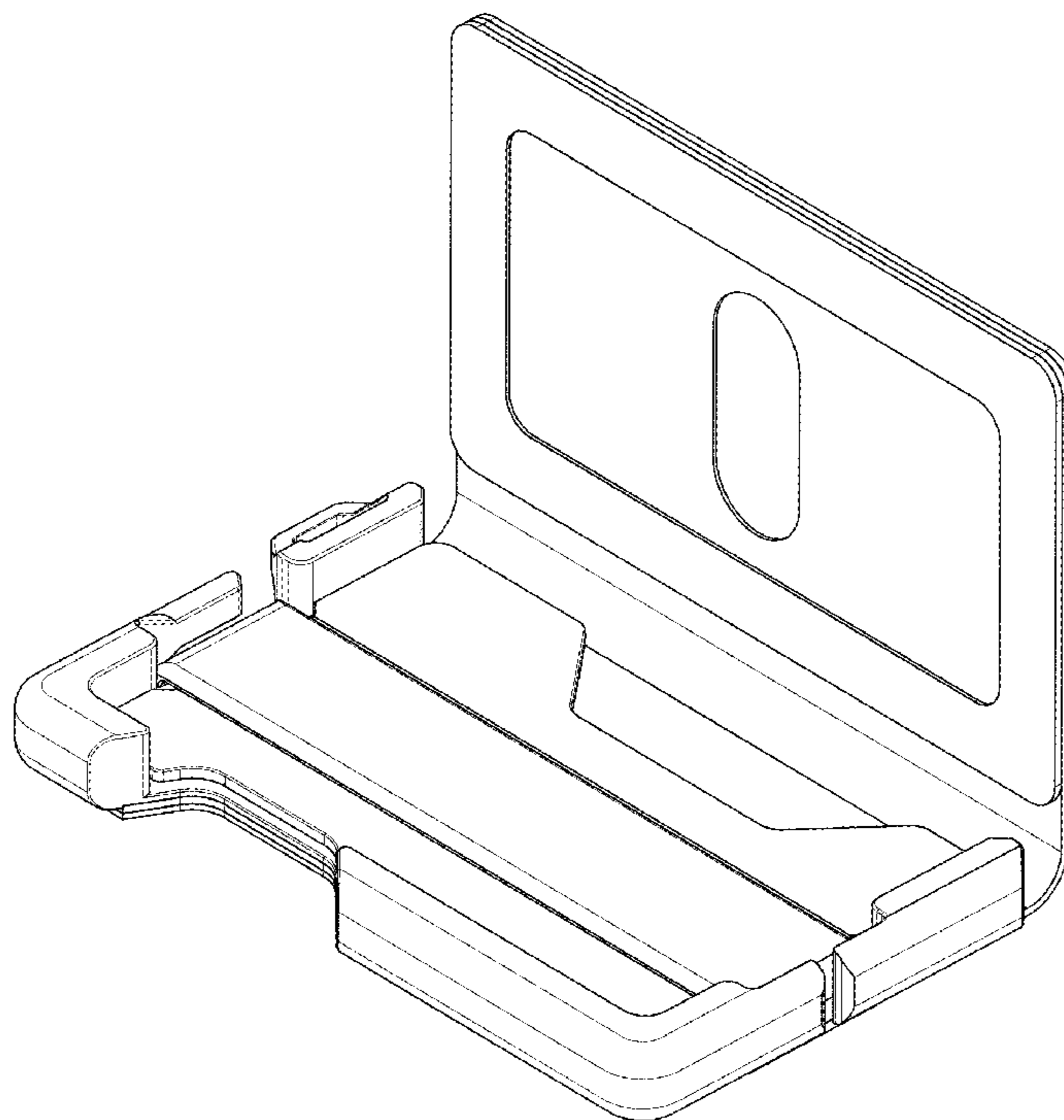
The ornamental design for a card holder wallet with articulating lid, as shown and described.

**DESCRIPTION**

FIG. 1 is an isometric perspective view of a card holder wallet with articulating lid;  
FIG. 2 is a front elevation view thereof;  
FIG. 3 is a rear elevation view thereof;  
FIG. 4 is a right side elevation view thereof;  
FIG. 5 is a left side elevation view thereof;  
FIG. 6 is a top plan view thereof; and,  
FIG. 7 is a bottom plan view thereof.

**1 Claim, 7 Drawing Sheets**

(56) **References Cited**  
**U.S. PATENT DOCUMENTS**  
D706,271 S \* 6/2014 Gelsomini ..... D14/440  
D860,645 S \* 9/2019 Wu ..... D3/247  
D866,964 S \* 11/2019 Tran ..... D3/247  
D868,463 S \* 12/2019 Tran ..... D3/249  
11,178,947 B2 \* 11/2021 Tran ..... A45C 11/182  
D950,240 S \* 5/2022 Tran ..... D3/247  
D950,241 S \* 5/2022 Tran ..... D3/247  
D951,632 S \* 5/2022 Tran ..... D3/247



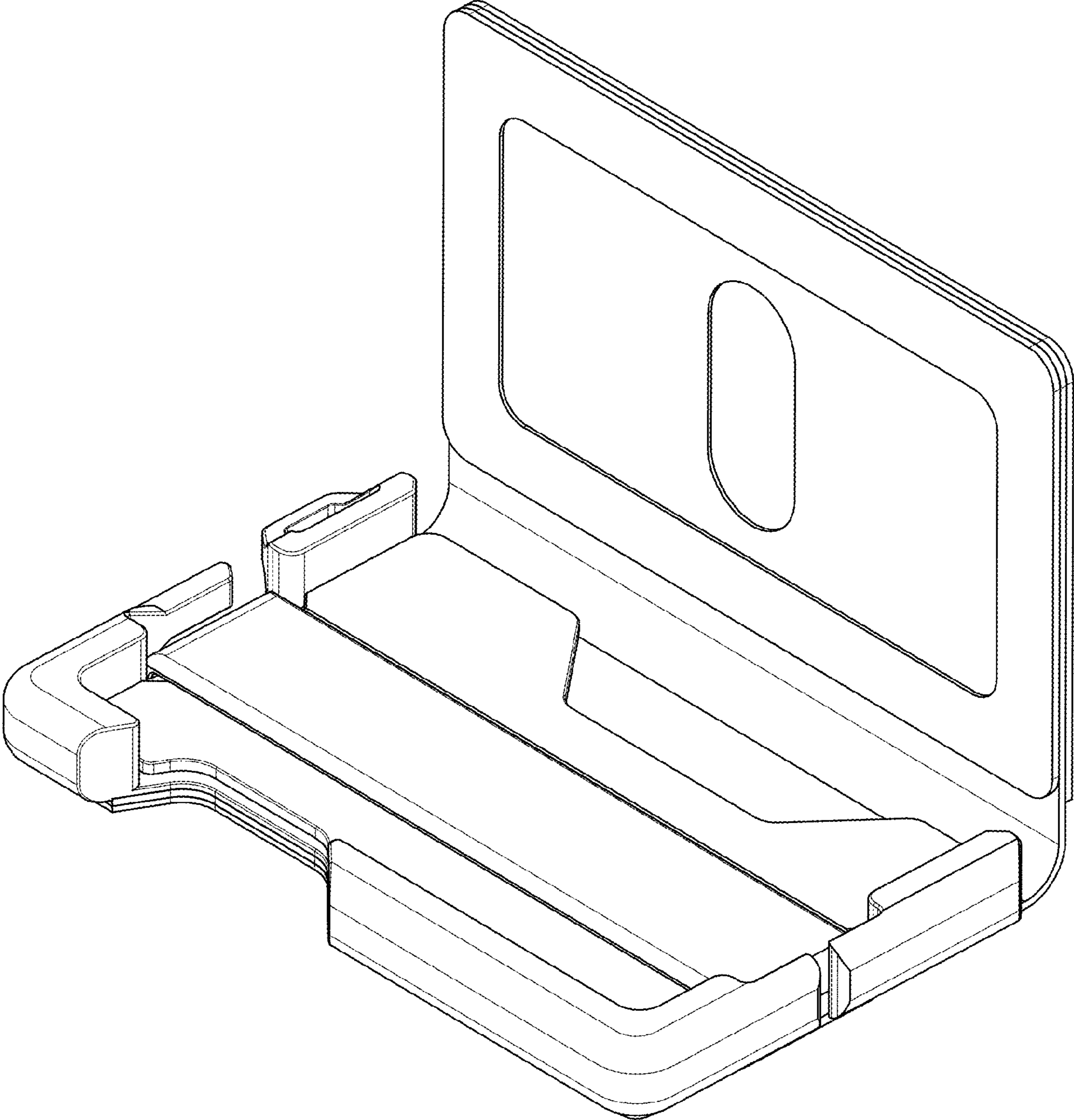


FIG. 1

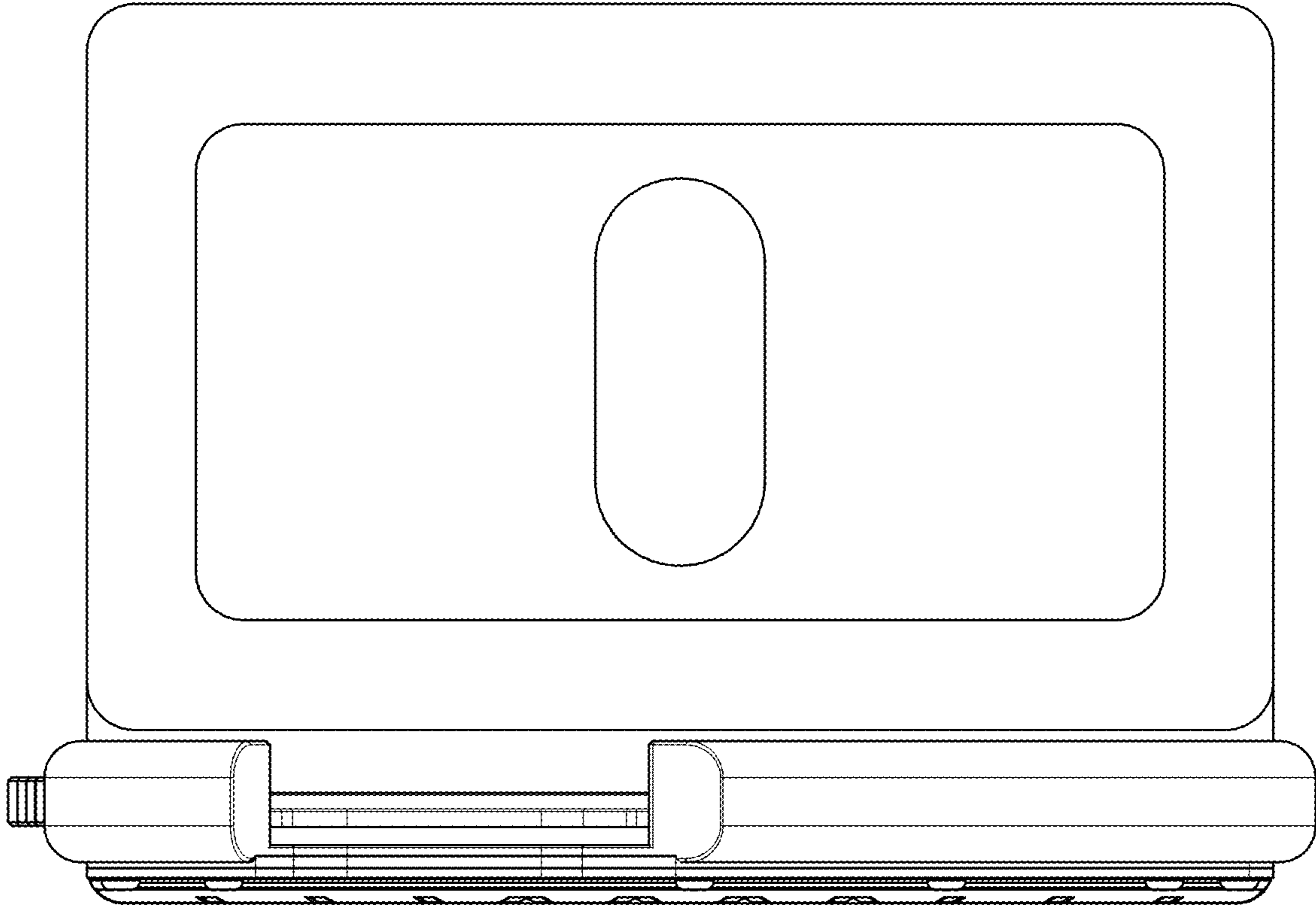


FIG. 2

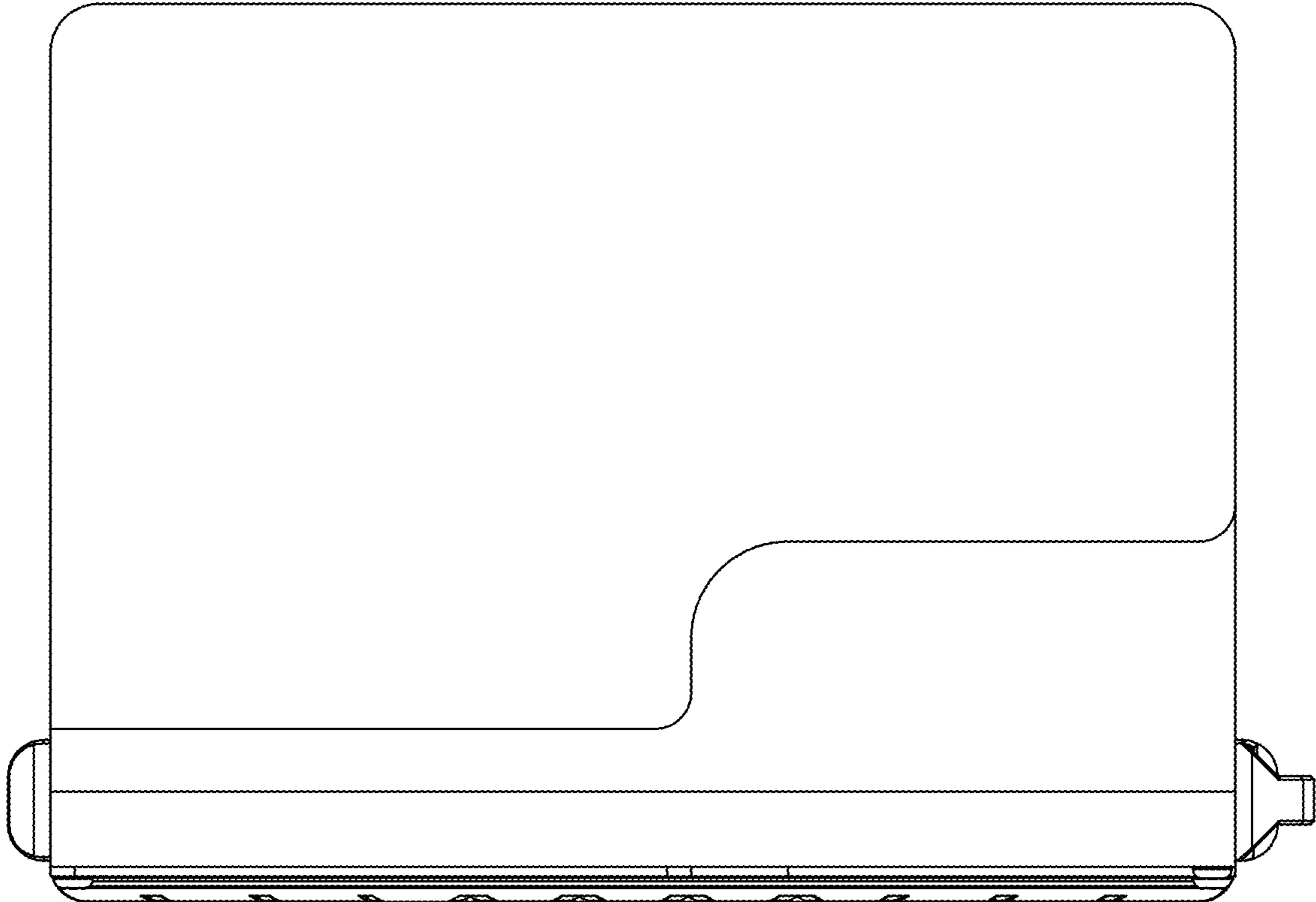


FIG. 3

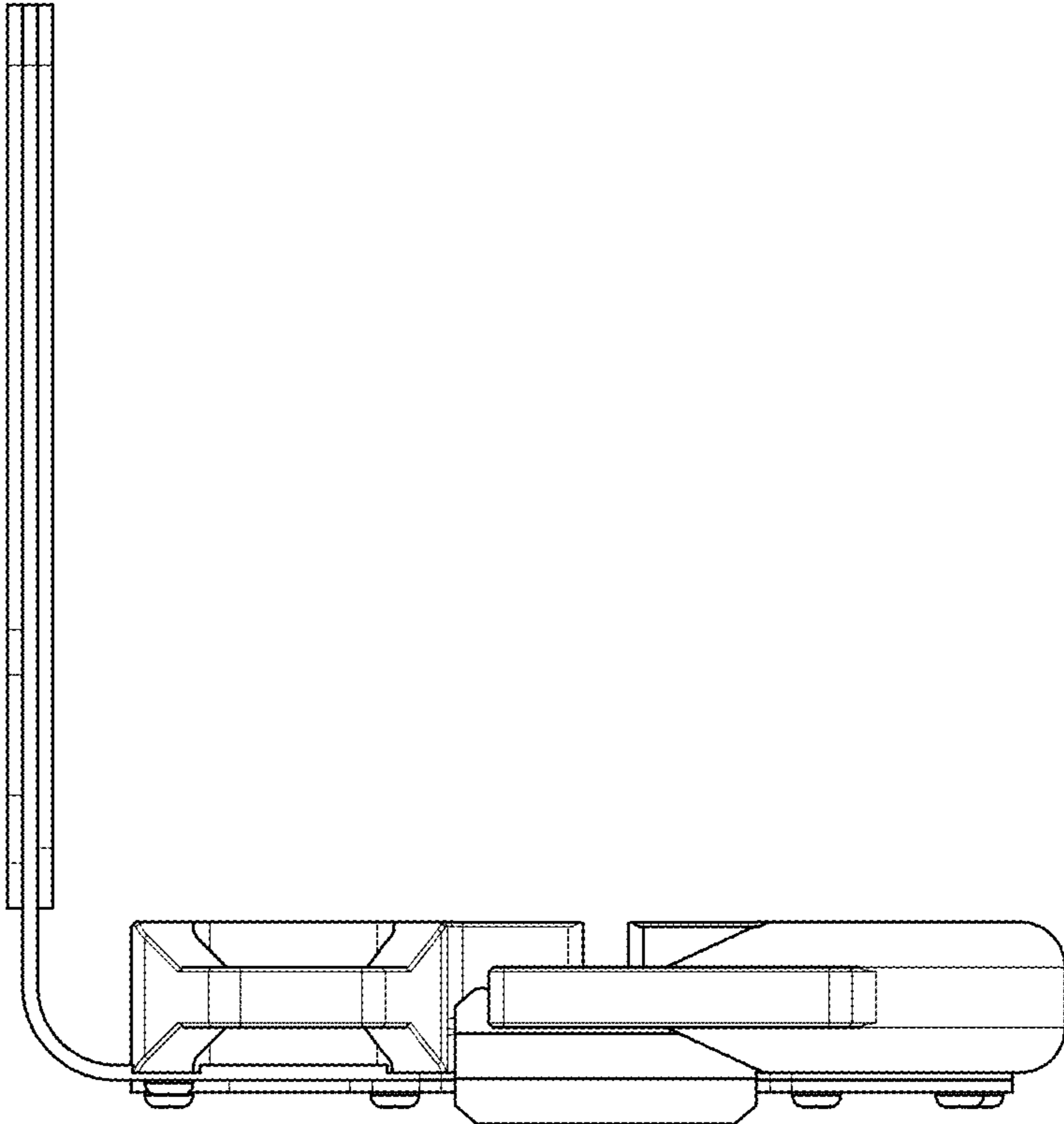


FIG. 4

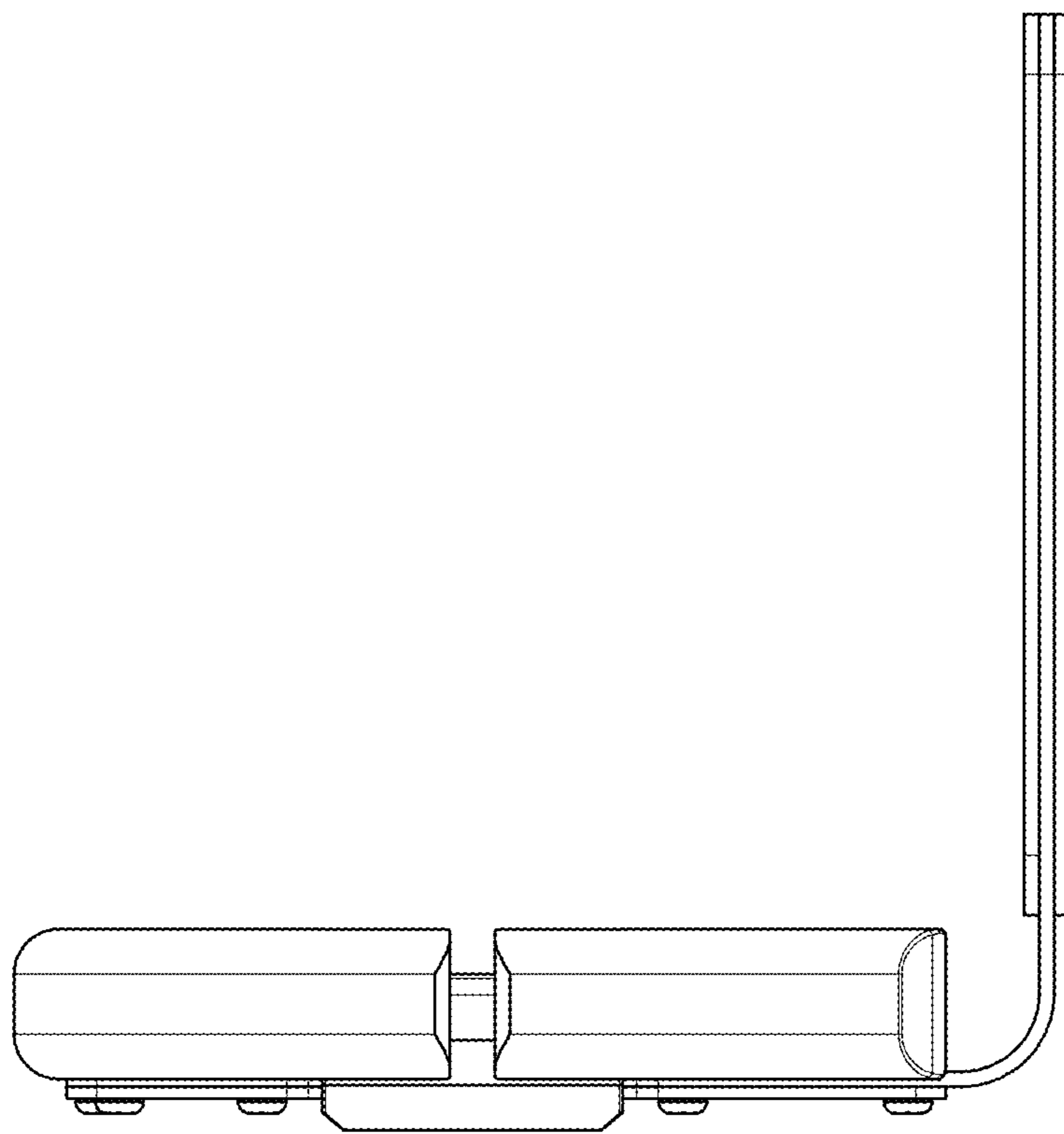


FIG. 5



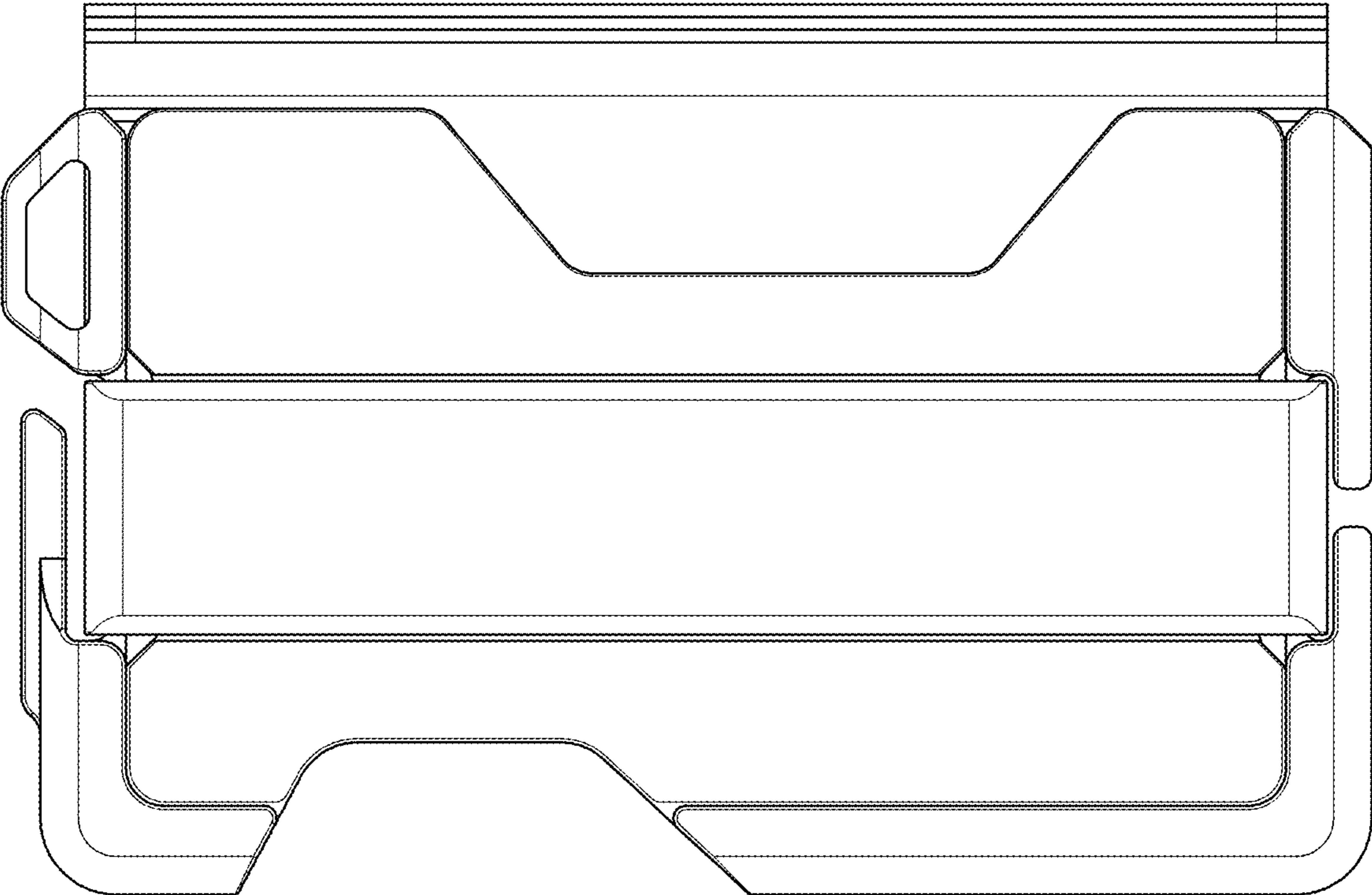


FIG. 6

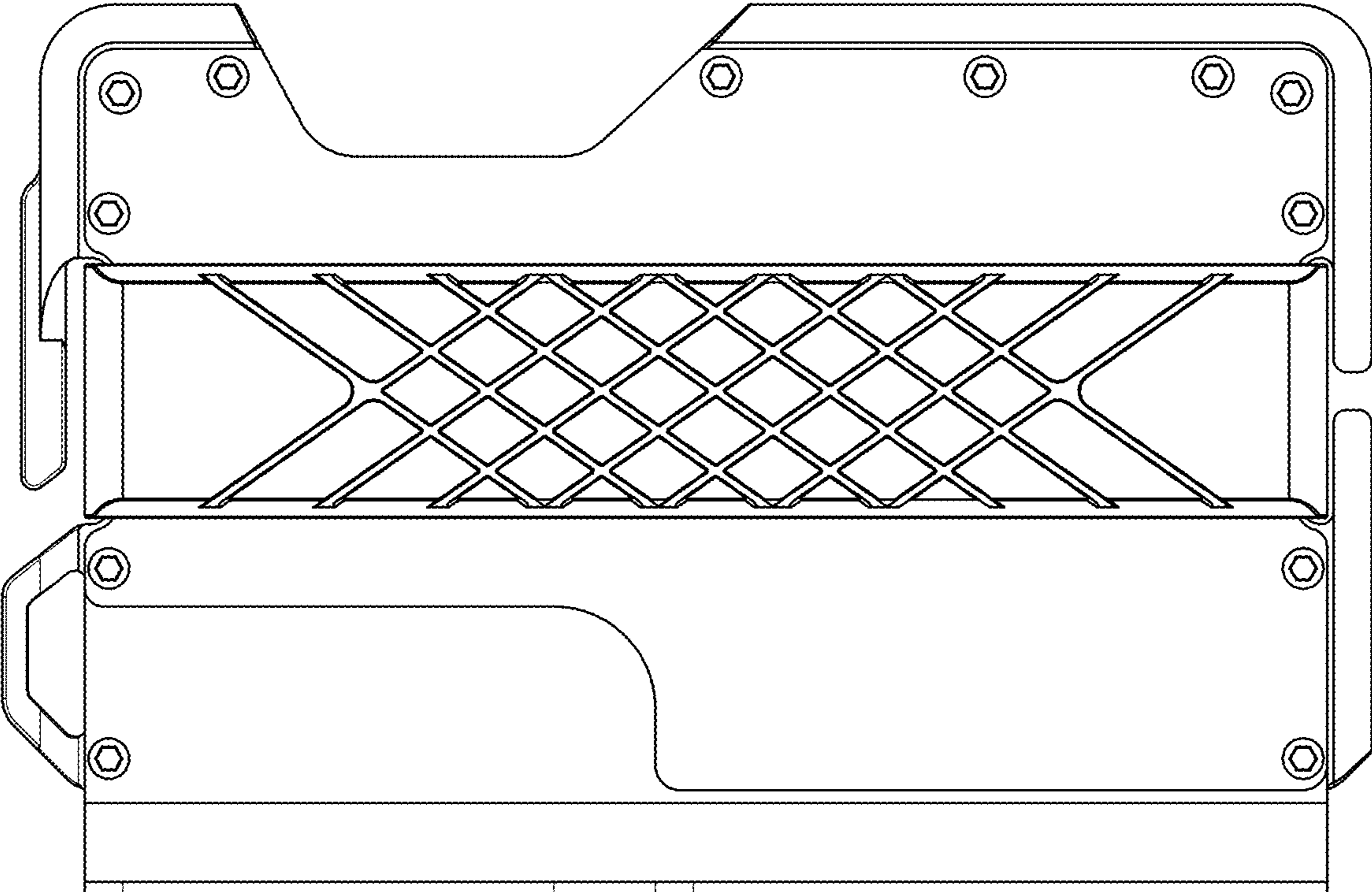


FIG. 7