



US00D978529S

(12) **United States Design Patent** (10) **Patent No.:** **US D978,529 S**
Piccioli (45) **Date of Patent:** **** Feb. 21, 2023**

(54) **BAG**

FOREIGN PATENT DOCUMENTS

(71) Applicant: **Valentino S.p.A.**, Milan (IT)

CN 306344636 * 2/2021
WO WOD062819-009 * 3/2003

(72) Inventor: **Pierpaolo Piccioli**, Milan (IT)

(Continued)

(73) Assignee: **VALENTINO S.P.A.**, Milan (IT)

OTHER PUBLICATIONS

(**) Term: **15 Years**

5 Ways Celebrities Carried Their Valentino Garavani Handbags, available at timeinternational.co.id, posted Aug. 26, 2019 [online], site visited Jun. 8, 2022, available from the internet URL: <https://www.timeinternational.co.id/5-ways-celebrities-carried-their-valentino-garavani-vsling-handbags/> (Year: 2019).*

(21) Appl. No.: **29/703,960**

(Continued)

(22) Filed: **Aug. 30, 2019**

(30) **Foreign Application Priority Data**

Mar. 1, 2019 (IT) 402019000000397

(51) **LOC (14) Cl.** **03-01**

(52) **U.S. Cl.**
USPC **D3/243**

(58) **Field of Classification Search**
USPC D3/226-233, 239-246
CPC .. A45C 1/00; A45C 1/02; A45C 11/00; A45C 15/00; A45C 15/02; A45C 15/04; A45C 15/06; A45C 15/08
See application file for complete search history.

Primary Examiner — Messina L Smith

Assistant Examiner — Jillian Mazzola

(74) *Attorney, Agent, or Firm* — Rothwell, Figg, Ernst & Manbeck, P.C.

(56) **References Cited**

U.S. PATENT DOCUMENTS

D108,013 S * 1/1938 Felmann D3/243
D324,770 S * 3/1992 Dixsaut D3/243
D324,771 S * 3/1992 Dixsaut D3/243
5,439,154 A * 8/1995 Delligatti A45F 3/02
224/601
D370,341 S * 6/1996 Azar D3/243
D380,087 S * 6/1997 Roth D3/246
D384,812 S * 10/1997 Heffelfinger D3/246
D406,456 S * 3/1999 McDermott D3/232
D417,779 S * 12/1999 De Baschmakoff D3/243
D661,894 S * 6/2012 Sassi D3/245

(Continued)

(57) **CLAIM**

The ornamental design for a bag, as shown and described.

DESCRIPTION

FIG. 1 is a perspective view of a bag, showing my new design;

FIG. 2 is a front view thereof;

FIG. 3 is a rear view thereof;

FIG. 4 is a left side view thereof;

FIG. 5 is a right side view thereof, opposite that of FIG. 4; and,

FIG. 6 is a top view thereof.

The V trademark, shown in FIGS. 1 and 2 of the claimed design, is a registered trademark of (REGISTRANT) VAL-
ENTINO S.P.A. JOINT STOCK COMPANY ITALY Via
Turati 16/18 I-20121 Milano ITALY.

The broken lines shown in the figures depict portions of the bag that form no part of the claimed design.

1 Claim, 6 Drawing Sheets



(56)

References Cited

U.S. PATENT DOCUMENTS

D686,415	S	*	7/2013	Sassi	D3/318
D688,450	S	*	8/2013	Philo	D3/243
D767,270	S	*	9/2016	Maier	D3/243
D772,563	S	*	11/2016	Carol-Libman	D3/232
D773,810	S	*	12/2016	Jacobs	D3/243
D793,723	S	*	8/2017	Lopez Montoya	D3/243
D794,326	S	*	8/2017	Nair	D3/243
D803,554	S	*	11/2017	Maier	D3/243
D812,372	S	*	3/2018	Ettore Tomasetta	D3/243
D818,706	S	*	5/2018	Maier	D3/232
D834,309	S	*	11/2018	Heyman	D3/243
D835,404	S	*	12/2018	Sassi	D3/232
D846,273	S	*	4/2019	Lopez Montoya	D3/243
D855,314	S	*	8/2019	Rahardjo	D3/243
D856,668	S	*	8/2019	Rahardjo	D3/243
D857,379	S	*	8/2019	Vaccarello	D3/232
D878,746	S	*	3/2020	Sassi	D3/232
D880,150	S	*	4/2020	Fusi	D3/246
D885,755	S	*	6/2020	Dumas	D3/243
D891,764	S	*	8/2020	Sassi	D3/243
D901,170	S	*	11/2020	Sassi	D3/243
D912,978	S	*	3/2021	Sassi	D3/243
D935,767	S	*	11/2021	Louboutin	D3/243
D944,517	S	*	3/2022	Dumas	B65D 25/04 D3/232
D946,270	S	*	3/2022	Dumas	B65D 25/04 D3/232

FOREIGN PATENT DOCUMENTS

WO	WOD211627-005	*	12/2020
WO	WOD214747-004	*	6/2021

OTHER PUBLICATIONS

Valentino Orange Smooth Calfskin Leather VSLING Shoulder Bag, available at yoogiscloset.com, date not available [online], site visited Jun. 8, 2022, available from the internet URL: <https://www.yoogiscloset.com/handbags/valentino-orange-smooth-calfskin-leather-vsling-shoulder-bag.html> (Year: 2022).*

Valentino Garavani Stud Sign Bag Review, available at theglamandglitter.com, posted Oct. 13, 2021 [online], site visited Jun. 8, 2022, available from the internet URL: <https://theglamandglitter.com/2021/10/valentino-garavani-stud-sign-bag-review/> (Year: 2021).*

Color-Block Crossbody Bag, available at amazon.ae, earliest date available Oct. 8, 2020 [online], site visited Jun. 8, 2022, available from the internet URL: <https://www.amazon.ae/Color-Block-Crossbody-Designer-Handbags-Shoulder/dp/B086DFTZ18?th=1> (Year: 2020).*

Bcoal Crossbody Bag White, available at stevemadden.eu, earliest customer review date Feb. 23, 2022 [online], site visited Jun. 8, 2022, available from the internet URL: <https://stevemadden.eu/products/bcoal-crossbody-bag-white> (Year: 2022).*

* cited by examiner

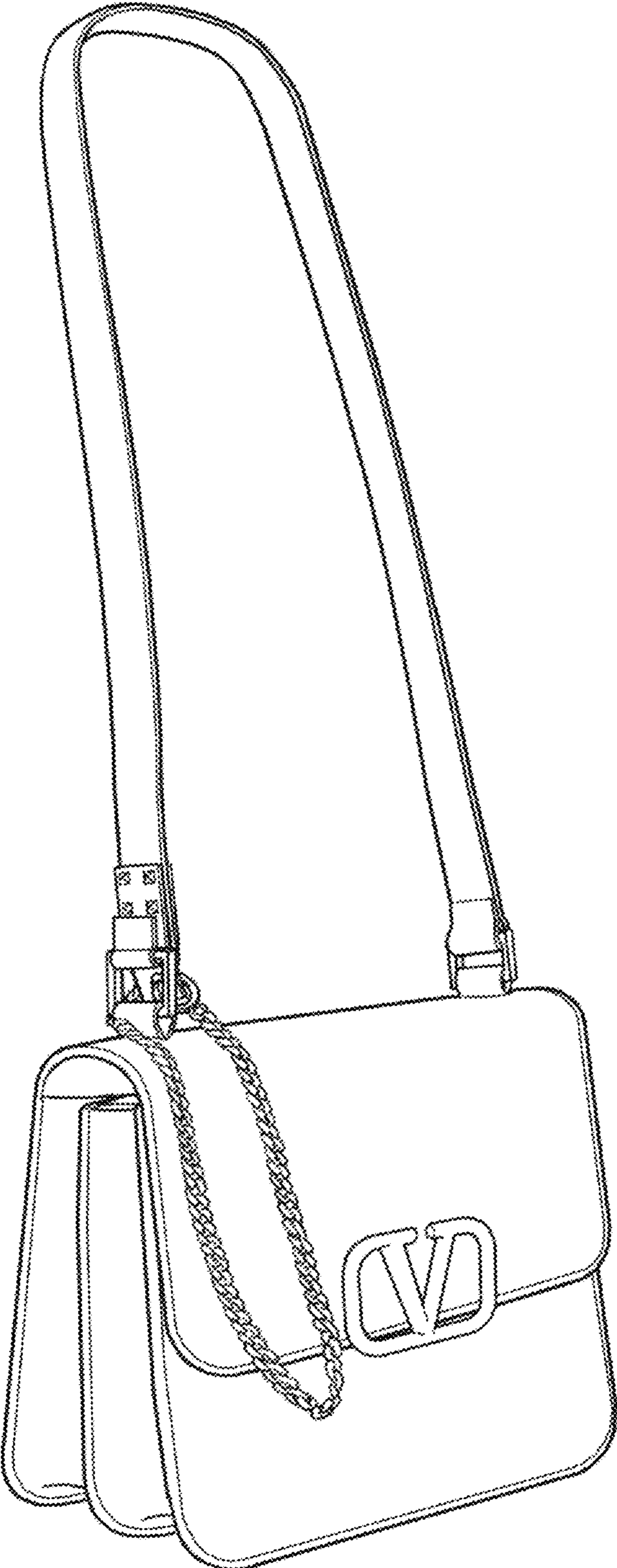


FIG. 1

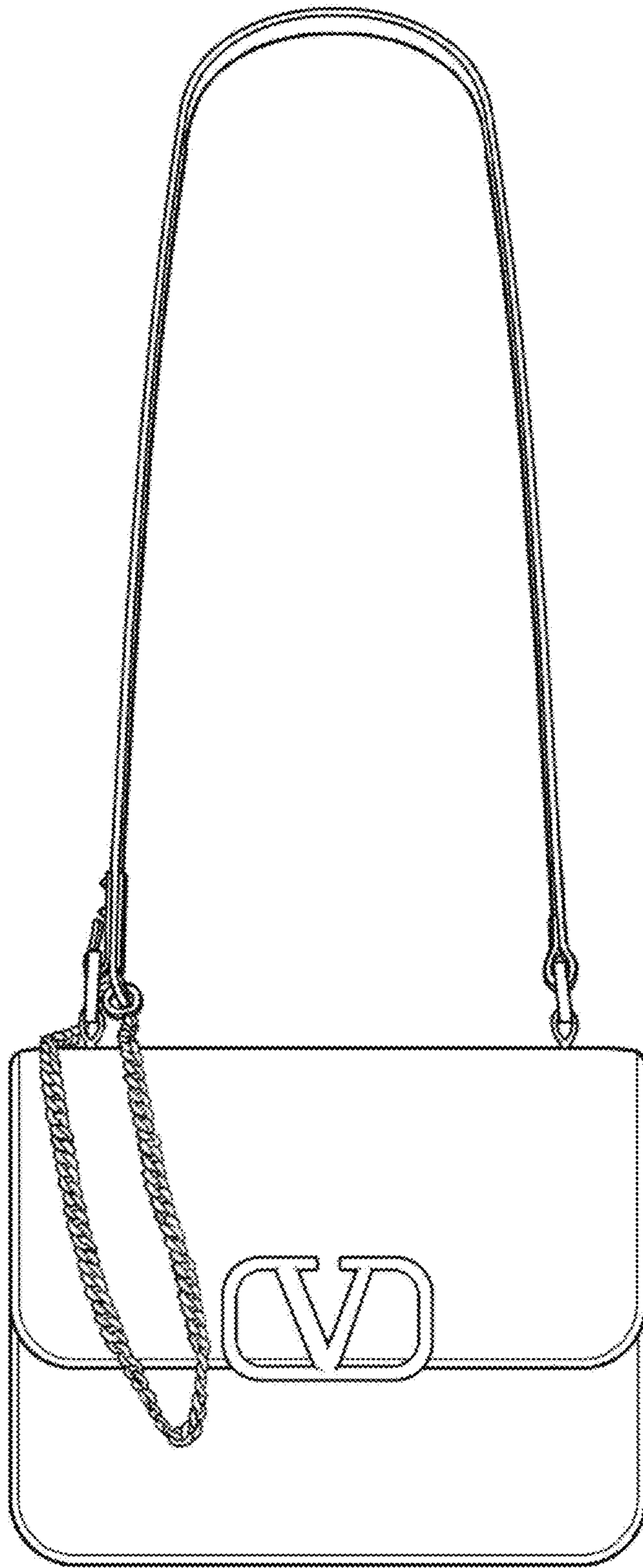


FIG. 2

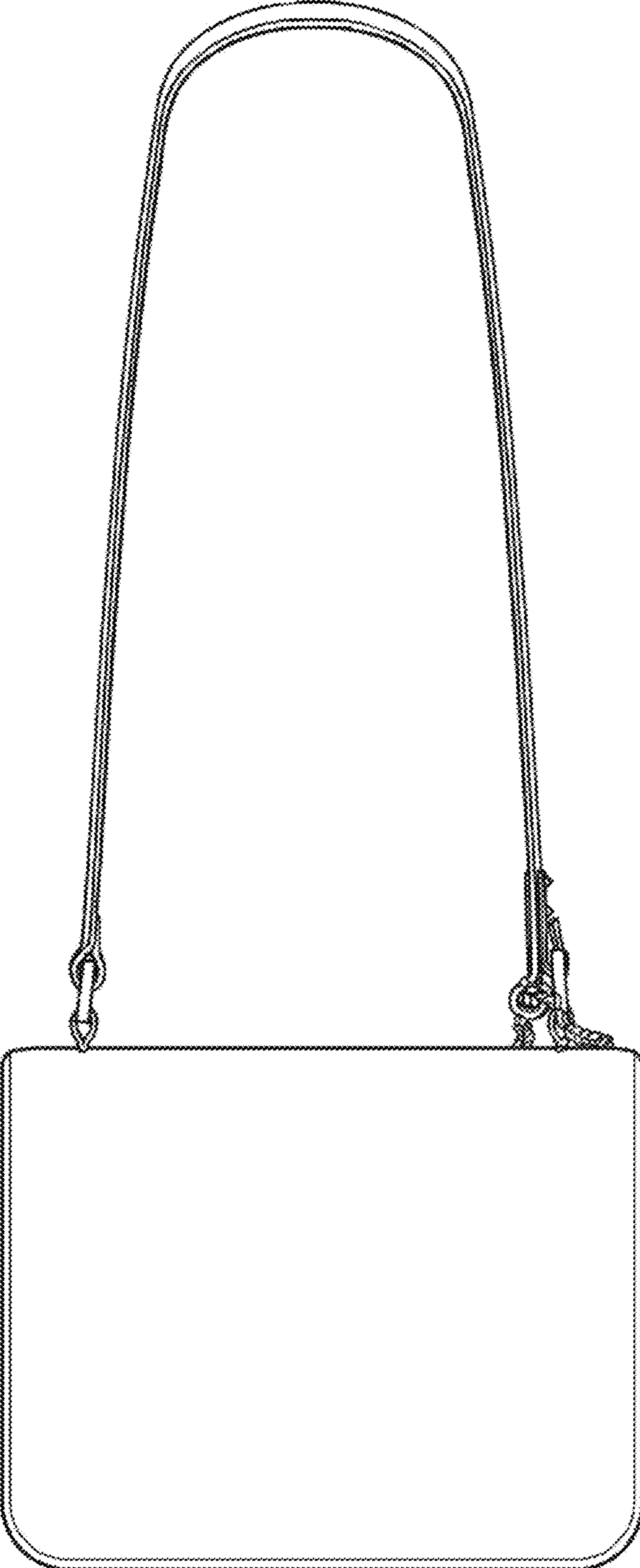


FIG. 3

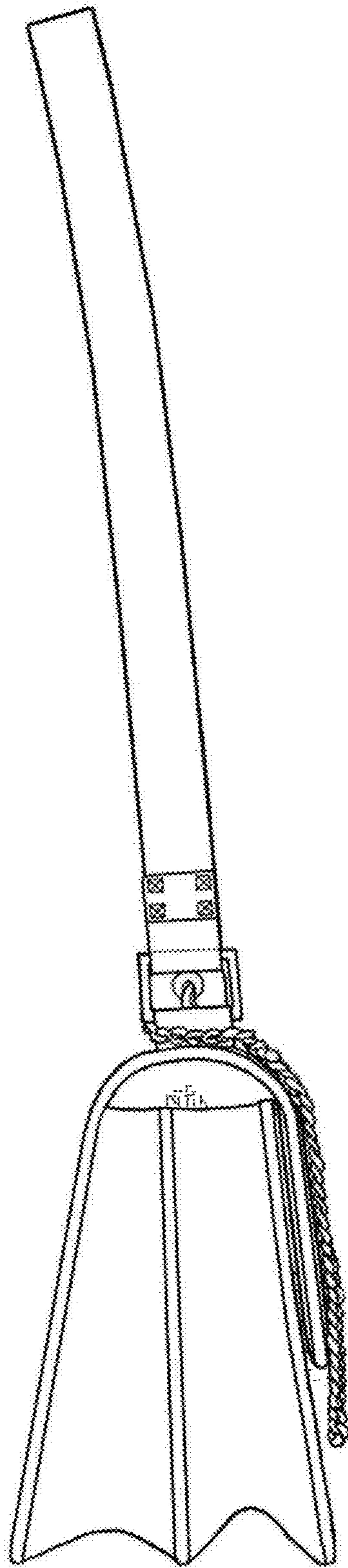


FIG. 4

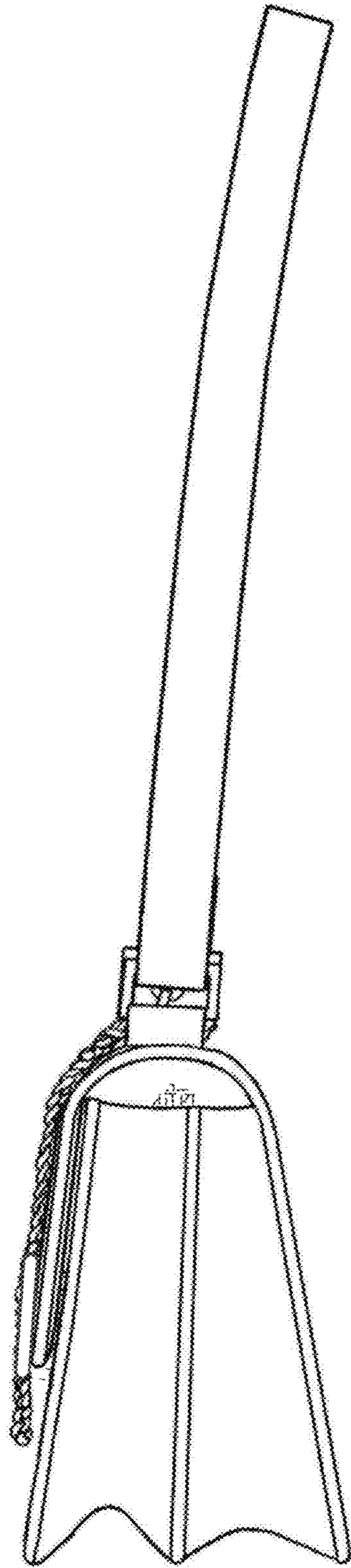


FIG. 5

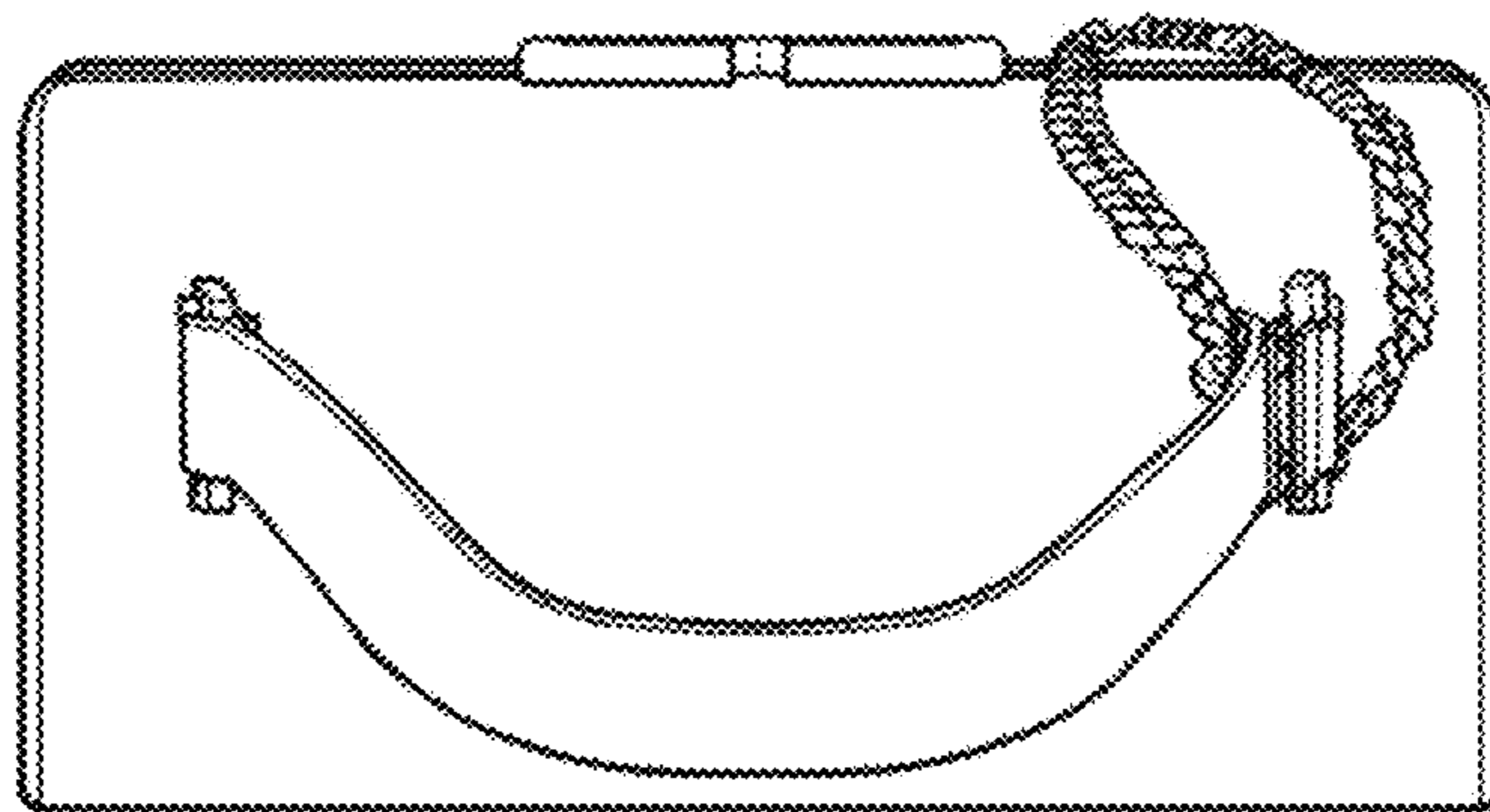


FIG. 6